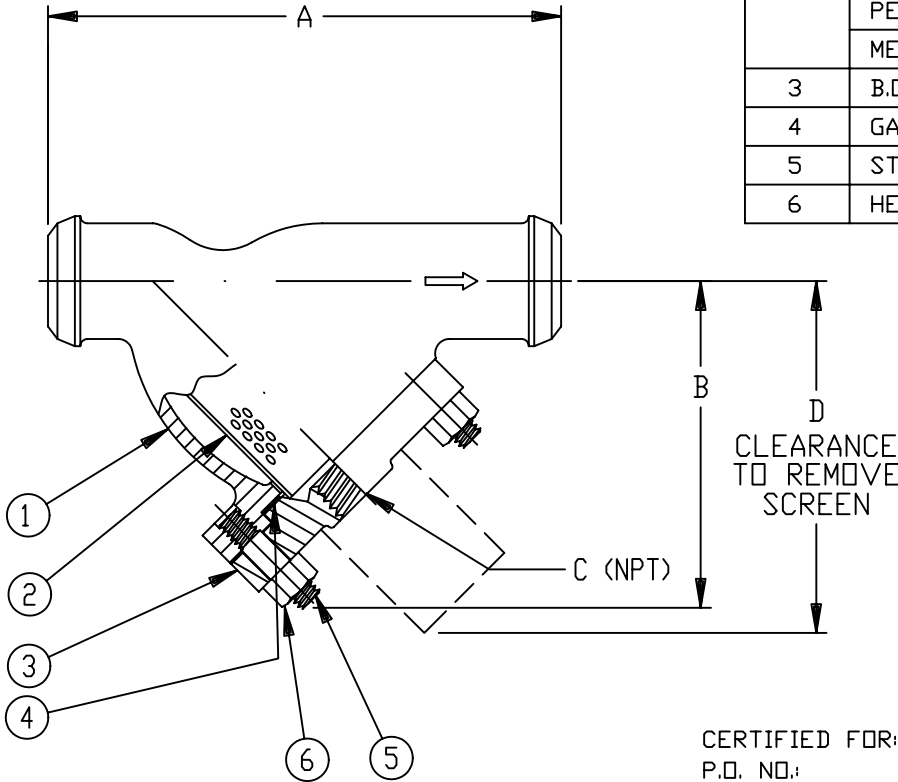


NO.	PART NAME	MATERIAL
1	BODY	CSTL ASTM A216 GR. WCB
2	SCREEN	
	PERF. DIA.	
	MESH	
3	B.O. FLANGE	CSTL ASTM A216 GR. WCB
4	GASKET	NON-ASBESTOS
5	STUD	STEEL ASTM A193 GR. B7
6	HEX NUT	STEEL ASTM A194 GR. 2H



NOTES:

1. INLET/OUTLET B.W.E CONNECTIONS SCH STD. WGT. BORE.
2. BOLT HOLES STRADDLE CENTERLINE.
3. SIZES 4" TO 10" HAVE FLAT FACE B.O. FLANGE. SMALLER SIZES HAVE RECESSED SEAL AS SHOWN.
4. SIZES 1/2" TO 1-1/4" HAVE 2 BOLT OVAL B.O. FLANGES.
5. SIZES 2" TO 3" HAVE 4 BOLT SQUARE B.O. FLANGES.
6. ALL OTHERS HAVE CIRCULAR B.O. FLANGES.
7. PRESSURE RATING: 740 PSI @ 100° F (51 BAR @ 37.8° C)

CERTIFIED FOR:  
P.O. NO.:  
REG. NO.:  
TAG NO.:

QUOTE NO.:

PIPE SIZE (NOMINAL)	DIMENSIONS						WEIGHT (APPROX.) (DRY)		PART NO.		
	A		B		C (NOM.)		D			LBS.	KGS.
	IN.	MM.	IN.	MM.	IN.	MM.	IN.	MM.			
1/2" (15mm)	5.25	133	2.75	70	3/8	(10)	3.50	89	6	2.7	SY085005DB30A
3/4" (20mm)	6.00	152	3.00	76	3/8	(10)	4.00	102	9	4.1	SY085007DB30A
1" (25mm)	6.88	175	3.62	92	1/2	(15)	5.00	127	13	6.0	SY085010DB30A
1-1/4" (32mm)	7.75	197	4.25	108	3/4	(20)	5.75	146	18	8.2	SY085012DB30A
1-1/2" (40mm)	9.38	238	5.75	146	3/4	(20)	6.50	165	24	11.0	SY085015DB30A
2" (50mm)	8.63	219	6.25	159	1	(25)	8.25	210	30	13.6	SY085020DB30A
2-1/2" (65mm)	10.63	270	7.00	178	1	(25)	9.25	235	40	18.2	SY085025DB30A
3" (80mm)	12.00	305	7.75	197	1-1/4	(32)	10.50	267	55	25.0	SY085030DB30A
4" (100mm)	14.50	368	10.50	267	1-1/2	(40)	14.75	375	105	47.7	SY085040DB30A
6" (150mm)	20.00	508	14.75	375	2	(50)	21.00	533	200	91.0	SY085060DB30A
8" (200mm)	23.38	594	18.75	476	2	(50)	27.00	686	360	164.0	SY085080DB30A
10" (250mm)	27.38	695	22.75	578	2	(50)	34.50	876	430	195.5	SY085100DB30A

		<b>EATON FILTRATION, LLC</b> 900 FAIRMOUNT AVENUE, ELIZABETH, NEW JERSEY 07207					
		NAME MODEL 85 Y-STRAINER 300# BUTTWELD END CONNECTIONS SIZES 1/2" THRU 10" CARBON STEEL					
DRAWN	FM	DATE	7/1/93	CERT.	FC	DATE	7/2/93
SIZE	DWG NO	SD085283				REV	E
A							

UNAUTHORIZED USE, MANUFACTURE OR REPRODUCTION IN WHOLE OR IN PART IS PROHIBITED. DRAWING, DESIGN AND OTHER DISCLOSURES PROPERTY OF EATON FILTRATION, LLC

ELECTRONIC FILE NAME: SD085283.DWG  
REF. ECR D507 DATE 11/1/05