

NO.	PART NAME	MATERIAL
1	BODY	CARBON STEEL
2	BASKET	
	PERF. DIA.	
	MESH	
3	O-RING	BUNA-N
4	COVER	CARBON STEEL
5	BOLTS	A 325
6	NUTS	A 193 B7

PIPE SIZE (NOMINAL)	DIMENSIONS						APPROX. WEIGHT LBS. KG	PART NO.
	A IN. MM	B IN. MM	C IN. MM	D IN. MM	E IN. MM	F (NOM.) IN. MM		
2 (50mm)	14.00/356	12.00/305	8.63/219	6.63/168	26.00/660	1/2 (15)	90 / 40.8	ST090020DR3TA
3 (80mm)	15.00/381	12.50/318	8.63/219	6.63/168	26.00/660	1/2 (15)	105 / 47.6	ST090030DR3TA
4 (100mm)	16.00/406	14.00/356	9.50/241	8.63/219	29.00/737	1 (25)	180 / 81.6	ST090040DR3TA
5 (125mm)	17.50/445	15.00/381	11.25/286	10.75/273	33.00/838	1 (25)	240 / 108.9	ST090050DR3TA
6 (150mm)	21.00/533	17.00/432	11.25/286	10.75/273	35.00/889	1 (25)	265 / 120.2	ST090060DR3TA
8 (200mm)	23.00/584	21.00/533	13.00/330	12.75/324	42.00/1067	1-1/2 (40)	365 / 165.6	ST090080DR3TA
10 (250mm)	33.00/838	25.00/635	15.75/400	16.00/406	50.00/1270	1-1/2 (40)	590 / 267.6	ST090100DR3TA
12 (300mm)	36.00/914	28.00/711	17.75/451	18.00/457	56.00/1422	1-1/2 (40)	810 / 367.4	ST090120DR3TA
14 (350mm)	38.00/965	33.00/838	19.75/502	20.00/508	65.00/1651	2 (50)	1035 / 469.5	ST090140DR3TA
16 (400mm)	43.00/1092	36.00/914	23.25/591	24.00/610	74.00/1880	2 (50)	1330 / 603.3	ST090160DR3TA
18 (450mm)	43.00/1092	39.00/991	23.25/591	24.00/610	76.00/1930	2 (50)	1455 / 660.0	ST090180DR3TA
20 (500mm)	44.50/1130	44.00/1118	29.00/737	30.00/762	88.00/2235	2 (50)	1820 / 825.5	ST090200DR3TA
24 (600mm)	49.75/1264	60.00/1524	30.00/762	30.00/762	102.00/2591	2 (50)	2355 / 1068.2	ST090240DR3TA

NOTES :

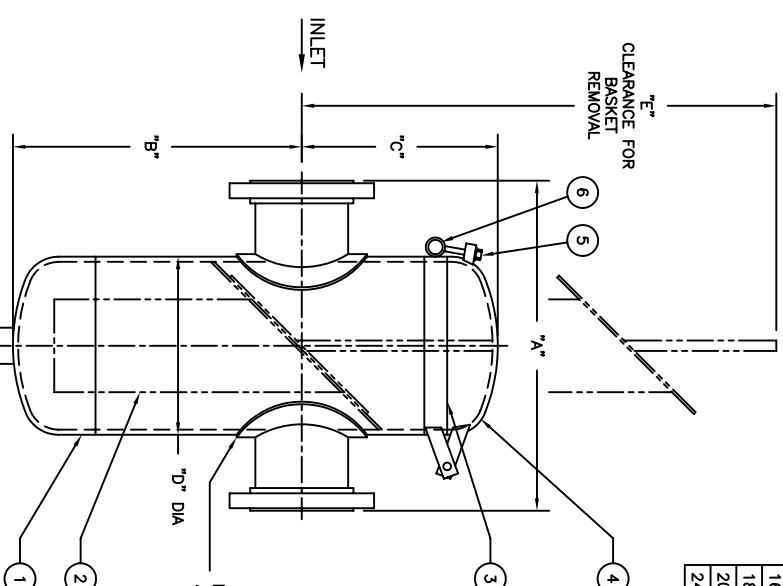
- UNITS ARE DESIGNED IN ACCORDANCE WITH ASME SECT. VIII, DIV. 1 OF BOILER PRESSURE VESSEL. CODE & IN COMPLIANCE TO CURRENT PUBLISHED ADDENDA .
- CODE STAMPED VESSEL AVAILABLE.
- ALL DIMENSIONS ARE IN INCHES / MM.
- INLET / OUTLET FLANGES PER ANSI B16.5.
- ALL BOLT HOLES STRADDLE NATURAL CENTERLINES.
- DESIGN PRESSURE : 300 PSIG @ 150° F (20.7 BAR @ 65.6°C)

- DESIGN PRESSURE : 240 PSIG @ 150° F (16.5 BAR @ 65.6°C)
- DESIGN PRESSURE : 300 PSIG @ 150° F (20.7 BAR @ 65.6°C)
- DESIGN PRESSURE : 240 PSIG @ 150° F (16.5 BAR @ 65.6°C)
- DESIGN PRESSURE : 240 PSIG @ 150° F (16.5 BAR @ 65.6°C)
- DESIGN PRESSURE : 240 PSIG @ 150° F (16.5 BAR @ 65.6°C)
- DESIGN PRESSURE : 240 PSIG @ 150° F (16.5 BAR @ 65.6°C)

- CERTIFIED FOR:
- P.O. NO.:
- REG. NO.:
- QUOTE NO.:
- TAG NO.:

6B. DESIGN PRESSURE : 240 PSIG @ 150° F (20" AND 24" SIZE) (16.5 BAR @ 65.6°C) (GOV. BY QOC)

MDMT : -20°F @ 240 PSIG (MDMT : -28.9°C @ 16.5 BAR)



REV 8/00

ELECTRONIC FILE NAME: SD0900C3.DWG  
REF: ECR D507 DATE 11/1/05

UNAUTHORIZED USE, MANUFACTURE OR REPRODUCTION IN WHOLE OR IN PART IS PROHIBITED. DRAWING, DESIGN AND OTHER DISCLOSURES PROPERTY OF EATON FILTRATION, LLC

DRAWN	SIZE	DWG	DATE	CERT.	LF	DATE	REV
A	A	FM	1/5/98			1/5/98	C

**EATON**

900 FARMOUNT AVENUE, ELIZABETH, NEW JERSEY 07207

**EATON FILTRATION, LLC**

MODEL 90 BASKET STRAINER  
300# RF FLANGE / QUICK OPENING COVER  
SIZES 2" THRU 24" CARBON STEEL

SD0900C3