



Sterile orbital weld end threaded connection



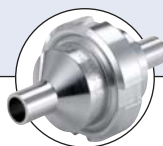
Hygienic Processing components.....



Type BBS-3F
Flow indicator



Type BBS-04
Silicone hose



Type BBS-10
Check valve



Type 2103
Diaphragm valve



Type 8221
Conductivity sensor



Type 8650
Process automation

- Optimum design according to recommendation of the ASME BPE directives
- Guaranteed crevice free
- All medium contact materials traceable, traceable seal on request
- Component of the BBS modular system

The BBS sterile orbital threaded connection is designed to give a controlled compression of the O-ring thus guaranteeing a safe, secure and crevice free connection.

This means optimum cleaning performance with faster cleaning times, reduced consumption of cleaning media, and significantly less waste because residues are simply not possible with this solution.

Using these connections combines peace of mind for process security with flexibility and simplicity. Standard O-rings are used making material selection simple as well as enhancing stocking efficiency.

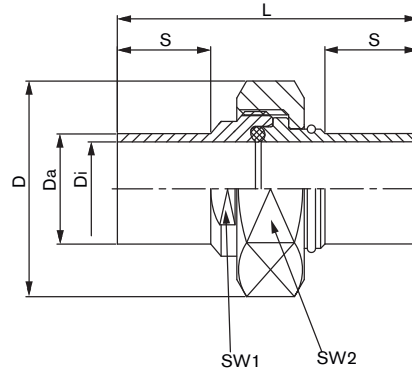
This is only one product employing the BBS design concept; please see our complete range of products for use across wide scope of applications where sterile conditions are of utmost priority.

Applications

- Biotechnology
- Pharmaceutical
- Chemical industry
- Dairy
- Food
- Cosmetic

Technical data	
Available standard sizes	ISO DN06 to DN50 BS-OD DN1/4" to DN2" DIN DN04 to DN50 Customized on request
Material medium contact	Stainless steel 1.4435 BN2 (316L) Special materials on request
Material medium separated	1.4305 or equivalent
Sterile Quick Connect	Metric fine thread
Seals	O-Ring, EPDM, PTFE, Special seal materials on request
Surface quality	Medium contacted surface < Ra 0,8µm, electro polished, finer surface on request
Operating temperature	EPDM seal material: -40°C to 90°C, temporary to 140°C FEP seal material: -60°C to 160°C, temporary to 205°C
Ambient temperature	-20 to +80 °C
Media	Gases or liquids
Operating pressure	-1 to +16 bar
Applicable standards	Pipe connection acc. to DIN 11866 ISO dimensions series B (ISO 4200) BS-OD dimensions series C (ASME BPE) DIN dimensions series A (DIN 11850)
Certifications	FDA for all specified seal materials, USP Class VI for EPDM, PTFE and FEP

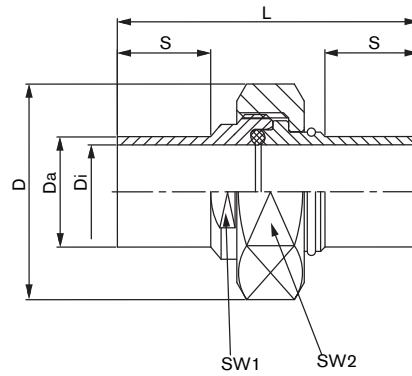
Dimensions [mm] Sterile orbital weld end threaded connection



Orifice	D [mm]	Da [mm]	Di [mm]	L [mm]	S [mm]	SW1 [mm]	SW1 [mm]	Item no. EPDM
ISO Dimensions Sterile orbital weld end threaded connection								
DN06	24.50	10.20	7.00	56.50	18.00	14.00	19.00	732 461
DN08	31.20	13.50	10.30	58.00	18.00	17.00	27.00	732 468
DN10	36.50	17.20	14.00	58.00	18.00	21.00	32.00	732 486
DN15	41.60	21.30	18.10	58.00	18.00	22.00	36.00	732 504
DN20	48.30	26.90	23.70	58.00	18.00	N/A	42.00 *	732 522
DN25	52.00	33.70	29.70	60.00	18.00	N/A	46.00 *	732 532
DN32	62.00	42.40	38.40	65.00	18.00	N/A	56.00 *	732 546
DN40	67.00	48.30	44.30	64.00	18.00	N/A	61.00 *	732 557
DN50	79.50	60.30	56.30	62.00	18.00	N/A	74.00 *	732 346
BS-OD Dimensions Sterile orbital weld end threaded connection								
DN1/4"	21.90	6.35	4.57	55.80	18.00	12.00	19.00	732 431
DN3/8"	24.50	9.53	7.75	61.80	25.40	14.00	22.00	732 433
DN1/2"	31.20	12.70	9.40	64.50	25.40	17.00	27.00	732 437
DN3/4"	36.50	19.05	15.75	72.30	25.40	21.00	32.00	732 441
DN1"	48.30	25.40	22.10	74.00	25.40	N/A	42.00 *	732 445
DN2 1/2"	62.00	38.10	34.80	68.60	18.00	N/A	56.00 *	732 449
DN2"	75.00	50.80	47.50	87.70	25.40	N/A	61.00 *	732 458
DIN Dimensions Sterile orbital weld end threaded connection								
DN04	21.90	6.00	4.00	55.50	18.00	12.00	19.00	732 354
DN06	21.90	8.00	6.00	55.50	18.00	12.00	19.00	732 358
DN08	24.50	10.00	8.00	56.50	18.00	14.00	22.00	732 366
DN10	31.20	12.00	10.00	58.00	18.00	17.00	27.00	732 374
DN10	31.20	13.00	10.00	58.00	18.00	17.00	27.00	743 444
DN15	41.60	19.00	16.00	60.00	18.00	N/A	36.00	732 385
DN20	48.30	23.00	20.00	62.00	18.00	N/A	42.00 *	732 389
DN25	52.00	29.00	26.00	60.00	18.00	N/A	46.00 *	732 393
DN32	62.00	35.00	32.00	68.00	18.00	N/A	56.00 *	732 397
DN40	62.00	41.00	38.00	65.00	18.00	N/A	56.00 *	732 401
DN50	79.50	53.00	50.00	68.00	18.00	N/A	61.00 *	732 405

* for hook wrench

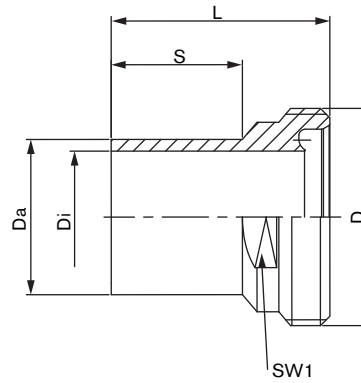
Dimensions [mm] Sterile orbital weld end threaded connection



Orifice	D [mm]	Da [mm]	Di [mm]	L [mm]	S [mm]	SW1 [mm]	SW2 [mm]	Item no. FEP
ISO Dimensions Sterile orbital weld end threaded connection								
DN06	24.50	10.20	7.00	56.50	18.00	14.00	19.00	on request
DN08	31.20	13.50	10.30	58.00	18.00	17.00	27.00	732 472
DN10	36.50	17.20	14.00	58.00	18.00	21.00	32.00	732 490
DN15	41.60	21.30	18.10	58.00	18.00	22.00	36.00	732 510
DN20	48.30	26.90	23.70	58.00	18.00	N/A	42.00 *	732 526
DN25	52.00	33.70	29.70	60.00	18.00	N/A	46.00 *	732 536
DN32	62.00	42.40	38.40	65.00	18.00	N/A	56.00 *	732 551
DN40	67.00	48.30	44.30	64.00	18.00	N/A	61.00 *	732 563
DN50	79.50	60.30	56.30	62.00	18.00	N/A	74.00 *	732 350
BS-OD Dimensions Sterile orbital weld end threaded connection								
DN1/4"	21.90	6.35	4.57	55.80	18.00	12.00	19.00	743 034
DN3/8"	24.50	9.53	7.75	61.80	25.40	14.00	22.00	732 435
DN1/2"	31.20	12.70	9.40	64.50	25.40	17.00	27.00	732 439
DN3/4"	36.50	19.05	15.75	72.30	25.40	21.00	32.00	732 443
DN1"	48.30	25.40	22.10	74.00	25.40	N/A	42.00 *	732 447
DN2 1/2"	62.00	38.10	34.80	68.60	18.00	N/A	56.00 *	732 451
DN2"	75.00	50.80	47.50	87.70	25.40	N/A	61.00 *	732 460
DIN Dimensions Sterile orbital weld end threaded connection								
DN04	21.90	6.00	4.00	55.50	18.00	12.00	19.00	732 356
DN06	21.90	8.00	6.00	55.50	18.00	12.00	19.00	732 364
DN08	24.50	10.00	8.00	56.50	18.00	14.00	22.00	732 370
DN10	31.20	12.00	10.00	58.00	18.00	17.00	27.00	732 381
DN10	31.20	13.00	10.00	58.00	18.00	17.00	27.00	on request
DN15	41.60	19.00	16.00	60.00	18.00	N/A	36.00	732 387
DN20	48.30	23.00	20.00	62.00	18.00	N/A	42.00 *	732 391
DN25	52.00	29.00	26.00	60.00	18.00	N/A	46.00 *	732 395
DN32	62.00	35.00	32.00	68.00	18.00	N/A	56.00 *	732 399
DN40	62.00	41.00	38.00	65.00	18.00	N/A	56.00 *	732 403
DN50	79.50	53.00	50.00	68.00	18.00	N/A	61.00 *	732 407

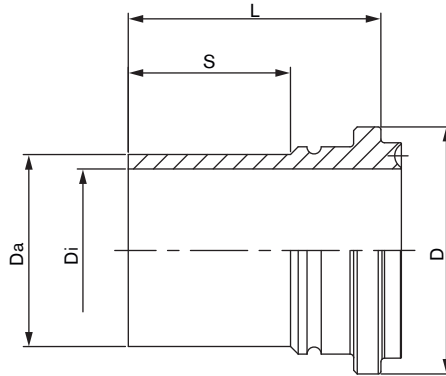
* for hook wrench

Dimensions [mm] Sterile male ferrule threaded



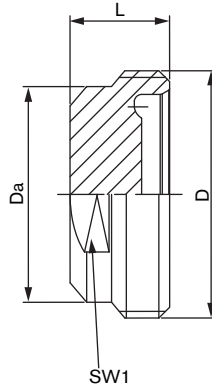
Orifice	D [mm]	Da [mm]	Di [mm]	L [mm]	S [mm]	SW1 [mm]	Item no.
ISO Dimensions Sterile male ferrule threaded							
DN06	M18x1.5	10.20	7.00	29.00	18.00	14.00	732 811
DN08	M22x1.5	13.50	10.30	30.00	18.00	17.00	732 825
DN10	M26x1.5	17.20	14.00	30.00	18.00	21.00	732 847
DN15	M30x2.0	21.30	18.10	30.00	18.00	22.00	732 859
DN20	M36x2.0	26.90	23.70	30.00	18.00	N/A	732 867
DN25	M42x2.0	33.70	29.70	32.00	18.00	N/A	732 875
DN32	M52x2.0	42.40	38.40	34.00	18.00	N/A	732 883
DN40	M56x2.0	48.30	44.30	34.00	18.00	N/A	732 895
DN50	M68x2.0	60.30	56.30	34.00	18.00	N/A	732 899
BS-OD Dimensions Sterile male ferrule threaded							
DN1/4"	M16x1.5	6.35	4.57	28.00	18.00	12.00	732 783
DN3/8"	M18x1.5	9.53	7.75	36.70	25.40	14.00	732 785
DN1/2"	M22x1.5	12.70	9.40	36.50	25.40	17.00	732 787
DN3/4"	M26x1.5	19.05	15.75	37.40	25.40	21.00	732 790
DN1"	M36x2.0	25.40	22.10	37.40	25.40	N/A	732 792
DN1 1/2"	M52x2.0	38.10	34.80	36.20	18.00	N/A	732 794
DN2"	M68x2.0	50.80	47.50	45.50	25.40	N/A	732 798
DIN Dimensions Sterile male ferrule threaded							
DN04	M16x1.5	6.00	4.00	28.00	18.00	12.00	732 727
DN06	M16x1.5	8.00	6.00	28.00	18.00	12.00	732 733
DN08	M18x1.5	10.00	8.00	29.00	18.00	14.00	732 745
DN10	M22x1.5	12.00	10.00	30.00	18.00	17.00	732 749
DN10	M22x1.5	13.00	10.00	30.00	18.00	17.00	743 179
DN15	M30x2.0	19.00	16.00	30.00	18.00	N/A	732 751
DN20	M36x2.0	23.00	20.00	32.00	18.00	N/A	732 753
DN25	M42x2.0	29.00	26.00	32.00	18.00	N/A	732 755
DN32	M52x2.0	35.00	32.00	35.00	18.00	N/A	732 757
DN40	M52x2.0	41.00	32.00	34.00	18.00	N/A	732 759
DN50	M68x2.0	53.00	50.00	35.00	18.00	N/A	732 761

Dimensions [mm] Sterile female ferrule



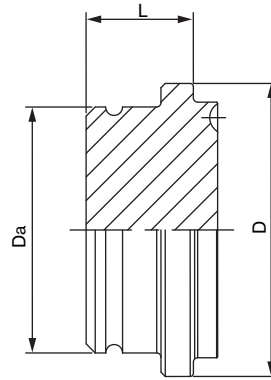
Orifice	D [mm]	Da [mm]	Di [mm]	L [mm]	S [mm]	Item no.
ISO Dimensions Sterile female ferrule						
DN06	15.80	10.20	7.00	27.00	18.00	732 119
DN08	19.80	13.50	10.30	28.00	18.00	732 129
DN10	24.20	17.20	14.00	28.00	18.00	732 137
DN15	27.40	21.30	18.10	28.00	18.00	732 147
DN20	33.70	26.90	23.70	28.00	18.00	732 152
DN25	39.30	33.70	29.70	28.00	18.00	732 155
DN32	49.00	42.40	38.40	33.30	18.00	732 158
DN40	54.00	48.30	44.30	30.00	18.00	732 161
DN50	65.00	60.30	56.30	28.00	18.00	732 162
BS-OD Dimensions Sterile female ferrule						
DN1/4"	13.80	6.35	4.57	27.80	18.00	732 089
DN3/8"	15.80	9.53	7.75	25.1	18.00	732 091
DN1/2"	19.80	12.70	9.40	27.00	18.00	732 093
DN3/4"	24.20	19.05	15.75	34.90	25.40	732 095
DN1"	33.70	25.40	22.10	36.50	25.40	732 097
DN1 1/2"	49.00	38.10	34.80	32.40	18.00	732 101
DN2"	65.20	50.80	47.50	42.20	25.40	732 105
DIN Dimensions Sterile female ferrule						
DN04	13.80	6.00	4.00	27.50	18.00	732 041
DN06	13.80	8.00	6.00	27.50	18.00	732 045
DN08	15.80	10.00	8.00	27.50	18.00	732 047
DN10	19.80	12.00	10.00	28.00	18.00	732 053
DN10	19.80	13.00	10.00	28.00	18.00	743 178
DN15	27.40	19.00	16.00	30.00	18.00	732 055
DN20	27.40	23.00	20.00	30.00	18.00	732 058
DN25	39.30	29.00	26.00	28.00	18.00	732 060
DN32	49.00	35.00	32.00	33.00	18.00	732 062
DN40	49.00	41.00	32.00	31.00	18.00	732 064
DN50	65.00	53.00	50.00	33.00	18.00	732 066

Dimensions [mm] Sterile male ferrule blind cover threaded



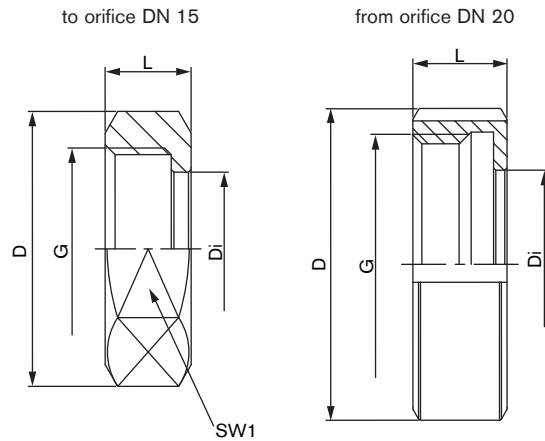
Orifice	D [mm]	Da [mm]	L [mm]	SW1 [mm]	Item no.
ISO Dimensions Sterile male ferrule blind cover threaded					
DN06	M18x1.5	16.00	11.00	14.00	733 211
DN08	M22x1.5	19.05	13.00	17.00	733 217
DN10	M26x1.5	23.00	13.00	19.00	733 220
DN15	M30x2.0	26.00	12.50	22.00	733 227
DN20	M36x2.0	32.00	15.00	30.00	733 230
DN25	M42x2.0	38.00	15.00	36.00	733 236
DN32	M52x2.0	48.00	16.00	46.00	733 239
DN40	M56x2.0	52.50	16.00	50.00	733 243
DN50	M68x2.0	64.00	20.00	60.00	733 246
BS-OD Dimensions Sterile male ferrule blind cover threaded					
DN1/4"	M16x1.5	13.50	12.00	12.00	733 190
DN3/8"	M18x1.5	15.50	12.00	14.00	733 193
DN1/2"	M22x1.5	19.05	12.00	17.00	733 196
DN3/4"	M26x1.5	23.00	13.00	19.00	733 199
DN1"	M36x2.0	26.00	12.50	22.00	733 201
DN1 1/2"	M52x2.0	48.00	18.00	41.00	733 204
DN2"	M68x2.0	64.00	20.00	60.00	733 208
DIN Dimensions Sterile male ferrule blind cover threaded					
DN04	M16x1.5	13.50	12.00	12.00	733 158
DN06	M16x1.5	15.50	12.00	14.00	733 161
DN08	M18x1.5	15.50	12.00	14.00	733 164
DN10	M22x1.5	19.05	12.00	17.00	733 168
DN15	M30x2.0	26.00	12.50	22.00	733 171
DN20	M36x2.0	32.00	15.00	30.00	733 174
DN25	M42x2.0	38.00	15.00	36.00	733 177
DN32	M52x2.0	48.00	14.00	46.00	733 180
DN40	M52x2.0	48.00	14.00	46.00	733 184
DN50	M68x2.0	64.00	20.00	60.00	733 187

Dimensions [mm] Sterile female ferrule blind cover



Orifice	D [mm]	Da [mm]	L [mm]	Item no.
ISO Dimensions Sterile female ferrule blind cover				
DN06	15.80	12.00	9.20	733 348
DN08	19.80	15.00	11.00	733 351
DN10	24.20	21.00	11.00	733 357
DN15	27.40	23.20	11.00	733 364
DN20	33.70	28.00	11.00	733 370
DN25	39.30	35.50	11.00	733 376
DN32	49.00	43.70	13.00	733 382
DN40	54.00	49.80	15.00	733 388
DN50	65.00	60.30	11.00	733 391
BS-OD Dimensions Sterile female ferrule blind cover				
DN1/4"	13.80	10.00	11.00	733 327
DN3/8"	15.80	12.20	11.00	733 330
DN1/2"	19.80	15.00	9.70	733 333
DN3/4"	24.20	21.00	10.50	733 336
DN1"	33.70	28.00	12.00	733 339
DN1 1/2"	49.00	43.50	13.00	733 342
DN2"	65.20	60.30	13.70	733 345
DIN Dimensions Sterile female ferrule blind cover				
DN04	13.80	10.00	11.00	733 284
DN06	13.80	10.00	11.00	733 287
DN08	15.80	12.20	11.00	733 290
DN10	19.80	15.00	11.00	733 293
DN15	27.40	23.40	11.00	733 297
DN20	27.40	23.40	11.00	733 300
DN25	39.30	35.50	11.70	733 303
DN32	49.00	43.70	13.00	733 306
DN40	49.00	43.70	13.00	733 309
DN50	65.00	60.30	13.70	733 312

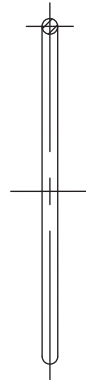
Dimensions [mm] Union nut for sterile orbital threaded connection



Orifice	D [mm]	G [mm]	Di [mm]	L [mm]	SW1 [mm]	Item no.
ISO Dimensions Union nut for sterile orbital threaded connection						
DN06	24.50	M18x1.5	12.40	12.00	22.00	732 931
DN08	31.20	M22x1.5	15.50	12.00	27.00	732 975
DN10	36.50	M26x1.5	21.40	13.00	32.00	732 983
DN15	41.60	M30x2.0	23.90	13.00	36.00	732 991
DN20	48.30	M36x2.0	28.50	13.00	42.00*	732 999
DN25	52.00	M42x2.0	36.00	15.00	46.00*	733 007
DN32	62.00	M52x2.0	44.00	18.00	56.00*	733 015
DN40	67.00	M56x2.0	48.60	18.00	61.00*	733 023
DN50	79.50	M68x2.0	60.70	18.00	74.00*	733 029
BS-OD Dimensions Union nut for sterile orbital threaded connection						
DN1/4"	21.90	M16x1.5	10.40	12.00	19.00	732 927
DN3/8"	24.50	M18x1.5	12.40	12.00	22.00	732 931
DN1/2"	31.20	M22x1.5	15.50	12.00	27.00	732 975
DN3/4"	36.50	M26x1.5	21.40	13.00	32.00	732 983
DN1"	48.30	M36x2.0	28.50	13.00	42.00*	732 999
DN1 1/2"	62.00	M52x2.0	44.00	18.00	56.00*	733 015
DN2"	79.50	M68x2.0	60.70	18.00	74.00*	733 029
DIN Dimensions Union nut for sterile orbital threaded connection						
DN04	21.90	M16x1.5	10.40	12.00	19.00	732 927
DN06	21.90	M16x1.5	10.40	12.00	19.00	732 927
DN08	24.50	M18x1.5	12.40	12.00	22.00	732 931
DN10	31.20	M22x1.5	15.50	12.00	27.00	732 975
DN15	41.60	M30x2.0	23.90	13.00	36.00	732 991
DN20	48.30	M36x2.0	28.50	13.00	42.00*	732 999
DN25	52.00	M42x2.0	36.00	15.00	46.00*	733 007
DN32	62.00	M52x2.0	44.00	18.00	56.00*	733 015
DN40	62.00	M52x2.0	44.00	18.00	56.00*	733 015
DN50	79.50	M68x2.0	60.70	18.00	74.00*	733 029

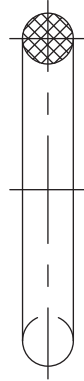
* for hook wrench

Dimensions [mm] Locking ring for sterile orbital threaded connection



Orifice	Item no.
ISO Locking ring for sterile orbital threaded connection	
DN06	731 869
DN08	731 871
DN10	731 877
DN15	731 879
DN20	731 881
DN25	731 883
DN32	731 885
DN40	731 887
DN50	731 889
BS-OD Locking ring for sterile orbital threaded connection	
DN1/4"	731 867
DN3/8"	731 869
DN1/2"	731 871
DN3/4"	731 877
DN1"	731 881
DN1 1/2"	731 885
DN2"	731 889
DIN Locking ring for sterile orbital threaded connection	
DN04	731 867
DN06	730 867
DN08	731 869
DN10	731 871
DN15	731 879
DN20	731 881
DN25	731 883
DN32	731 885
DN40	731 885
DN50	731 889

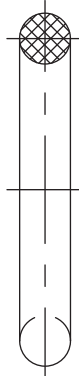
Dimensions [mm] ISO O-Rings for sterile orbital threaded connection



Orifice	Item no. EPDM	Item no. FEP
ISO O-Rings for sterile orbital threaded connection		
DN06	730 981	-
DN08	730 983	on request
DN10	731 004	731 006
DN15	731 058	731 060
DN20	731 101	731 103
DN25	731 141	731 143
DN32	731 187	731 189
DN40	731 216	731 218
DN50	731 250	731 253

Orifice	Item no. Silicone	Item no. FKM
ISO O-Rings for sterile orbital threaded connection		
DN06	on request	on request
DN08	730 989	on request
DN10	731 015	731 017
DN15	731 068	731 070
DN20	731 110	731 112
DN25	731 151	731 153
DN32	731 195	731 198
DN40	731 226	731 228
DN50	731 261	731 263

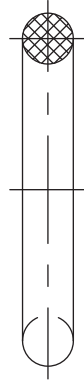
Dimensions [mm] BS-OD O-Rings for sterile orbital threaded connection



Orifice	Item no. EPDM	Item no. FEP
BS-OD O-Rings for sterile orbital threaded connection		
DN1/4"	730 750	730 752
DN3/8"	730 356	730 356
DN1/2"	730 766	730 768
DN3/4"	730 792	730 794
DN1"	730 811	730 813
DN1 1/2"	730 837	730 839
DN2"	730 867	730 870

Orifice	Item no. Silicone	Item no. FKM
BS-OD O-Rings for sterile orbital threaded connection		
DN1/4"	730 754	730 754
DN3/8"	730 361	730 363
DN1/2"	730 770	730 772
DN3/4"	730 796	730 798
DN1"	730 815	730 817
DN1 1/2"	730 841	730 843
DN2"	730 872	730 874

Dimensions [mm] DIN O-Rings for sterile orbital threaded connection



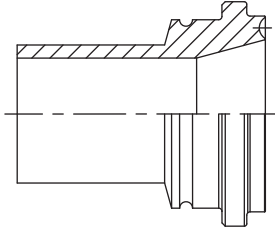
Orifice	Item no. EPDM	Item no. FEP
DIN O-Rings for sterile orbital threaded connection		
DN04	731 867	on request
DN06	730 346	730 348
DN08	730 356	730 356
DN10	730 369	730 371
DN15	730 412	730 414
DN20	730 460	730 462
DN25	730 497	730 499
DN32	730 546	730 548
DN40	730 573	730 575
DN50	730 606	730 608

Orifice	Item no. Silicone	Item no. FKM
DIN O-Rings for sterile orbital threaded connection		
DN04	730 342	730 344
DN06	730 352	743 671
DN08	730 361	730 363
DN10	730 373	730 375
DN15	730 416	730 418
DN20	730 464	730 466
DN25	730 501	730 503
DN32	730 550	730 552
DN40	730 577	730 579
DN50	730 610	730 612

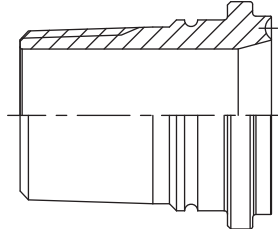
Versions on request

As follows versions available on request

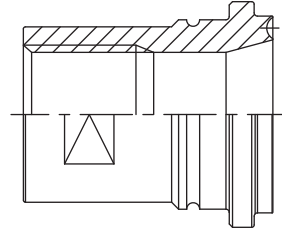
Female ferrule reducer



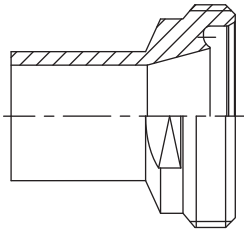
Female ferrule with external thread
 (Gas pipe thread conical acc. to ISO 7-1)



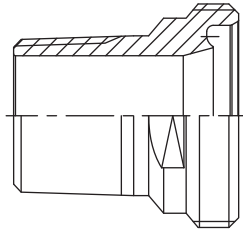
Female ferrule with internal thread
 (Gas pipe thread cyl. acc. to ISO 228-1)



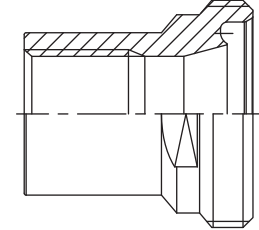
Male ferrule threaded reducer



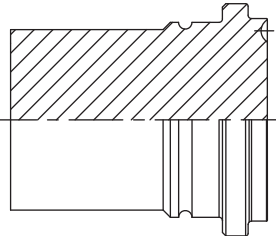
Male ferrule threaded with external thread
 (Gas pipe thread conical acc. to ISO 7-1)



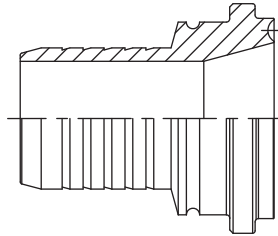
Male ferrule threaded with internal thread
 (Gas pipe thread cyl. acc. to ISO 228-1)



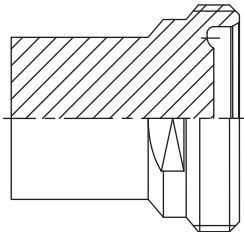
Female end ferrule



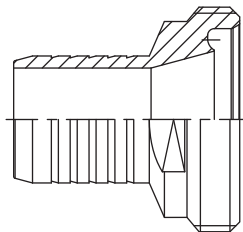
Female inner ferrule



Male end ferrule threaded



Male inner ferrule threaded



DTS 1000148916 EN Version: G Status: RL (released | freigegeben | valide) printed: 26.04.2017

To find your nearest Bürkert facility, click on the orange box → www.burkert.com

In case of special application conditions,
 please consult for advice.

Subject to alteration.
 © Christian Bürkert GmbH & Co. KG

1704/4_EU-en_00895162

Specification key (other versions on request)

Example **BBS-03** - **AR** - **TA** - **25,00** - **AB** - **VH** - **SD44** - **HAGF** **XXX** **NK52 + NO10**

Specification key

Delivery (LIUM)	
AD	Reducer eccentric
AE	Extension fitting
AG	Eccentric extension fitting
AX	Complete connection
AF	Weld fitting
AN	Nut
AR	Reducer
AB	Blind cover

Connection Type (VRBT)	
TA	Aseptic thread acc. to DIN 11864-1 Form A

Seal Material (DWST)	
AB	EPDM
FE	FEP

Material (WKST)	
HA	Hastelloy C2
VI	1.4435 acc. BN2 and 316L acc. to ASME BPE chart DT3
VU	1.4539
VN	1.4410
VV	1.4547

LTA2 see page 2

Internal polishing	
NO10	int. electro polished (Standard) Ra = 0,8 µm
Certificate	
NK52	3.1 Certificate (Standard)

Orifice (DN)
06.0
08.0
10.0
20.0
25.0
32.0
40.0
50.0
65.0
80.0
0100
0125
0150

Connection (VRB)	
T01	Thread M16x1.5
T02	Thread M22x1.5
T03	Thread M26x1.5
T04	Thread M30x2.0
T05	Thread M36x2.0
T06	Thread M42x2.0
T07	Thread M52x2.0
T08	Thread M68x2.0
T11	Thread Rd28x1/8"
T12	Thread Rd34x1/8"
T13	Thread Rd44x1/6"
T14	Thread Rd52x1/6"
T15	Thread Rd58x1/6"
T16	Thread Rd65x1/6"
T17	Thread Rd78x1/6"
T18	Thread Rd95x1/6"
T19	Thread Rd110x1/4"
T20	Thread Rd130x1/4"
T21	Thread Rd160x1/4"
T22	Thread Rd190x1/4"

Weld connection (LTA1) (0000 for blind cover)							
Port connection [mm]	EN ISO 1127/ ISO 4200	DIN 11850			BS 4825	ASME BPE	
		row 0	row 1	row 2			
4		SC40=6x1.0					
6		SC41=8x1.0					
8	SA40=13.5x1.6	SC42=10x1.0			SODB=6.35x1.2	SA90=6.35x0.89	
10	SA41=17.2x1.6		SF40=12x1.0	SD40=13x1.5	SE40=14x2.0	SODC=9.53x1.2 SA91=9.53x0.89	
15	SA42=21.3x1.6	SC43=18x1.5	SF41=18x1.0	SD42=19x1.5	SE42=20x2.0	SODD=12.7x1.2 SA92=12.7x1.65	
20	SA43=26.9x1.6	SC44=22x1.5	SF42=22x1.0	SD43=23x1.5	SE43=24x2.0	SODE=19.05x1.2 SA93=19.05x1.65	
25	SA44=33.7x2.0	SC45=28x1.5	SF43=28x1.0	SD44=29x1.5	SE44=30x2.0	SODF=25.4x1.65	
32	SA45=42.4x2.0	SC46=34x1.5	SF44=34x1.0	SD45=35x1.5	SE45=36x2.0		
40	SA46=48.3x2.0	SC47=40x1.5	SF45=40x1.0	SD46=41x1.5	SE46=42x2.0	SODH=38.1x1.65	
50	SA47=60.3x2.0	SC48=52x1.5	SF46=52x1.0	SD47=53x1.5	SE47=54x2.0	SODI=50.8x1.65	
65	SA48=76.1x2.0			SD48=70x2.0		SODJ=63.5x1.65	
80	SA49=88.9x2.3			SD49=85x2.0		SODK=76.2x1.65	
100	SA39=114.3x2.3			SD50=104x2.0		SODL=101.6x2.11	



Specification key LTA2

For complete connections (shipment = AX) LTA2 = LTA1

For fittings

Definition pipe end : hygienic connection	
Position 1	
H	Hygienic connection

Definition pipe end : hygienic connection	
Position 2	
A	Pipe connection acc. BBS sterile orbital

Definition pipe end : hygienic connection		
Position 3		
A	Female ferrule	for pipe acc. to ASME BPE
B	Male ferrule threaded	for pipe acc. to ASME BPE
D	Female ferrule	for pipe acc. to DIN EN ISO 1127
E	Male ferrule threaded	for pipe acc. to DIN EN ISO 1127
G	Female ferrule	for pipe acc. to DIN 11850
H	Male ferrule threaded	for pipe acc. to DIN 11850

Pipe size information		
Position 4		
	DIN; ISO; SMS	ASME BPE
A	DN06	-
B	DN08	DN 1/4"
C	DN10	DN 3/8"
D	DN15	DN 1/2"
E	DN20	DN 3/4"
F	DN25	DN 1"
G	DN32	DN 1 1/4"
H	DN40	DN 1 1/2"
I	DN50	DN 2"
K	DN65	DN 2 1/2"
L	DN80	DN 3"
M	DN100	DN 4"
N	DN125	DN 5"
O	DN150	DN 6"
P	DN10 (12 x 1)	-
Q	DN04	-