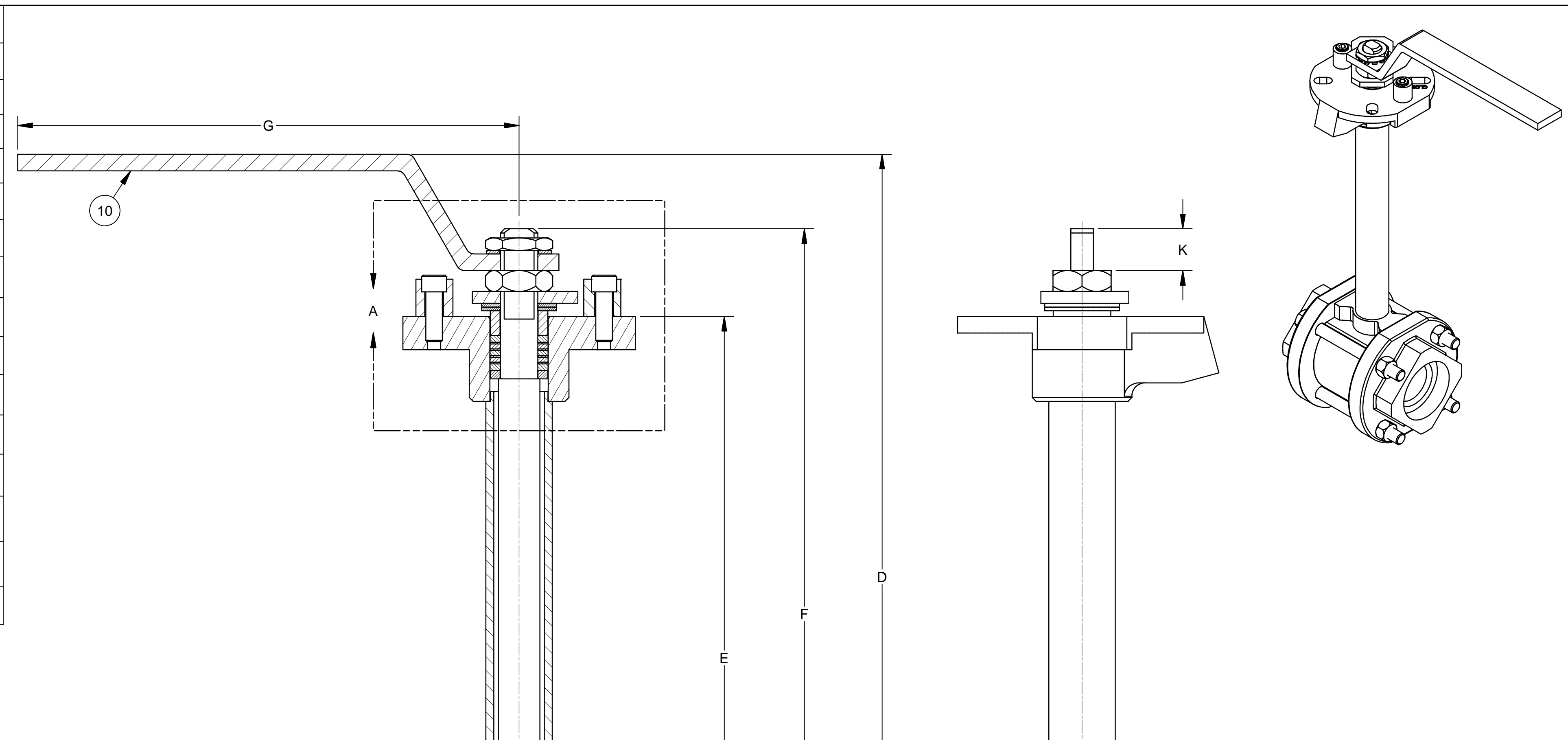


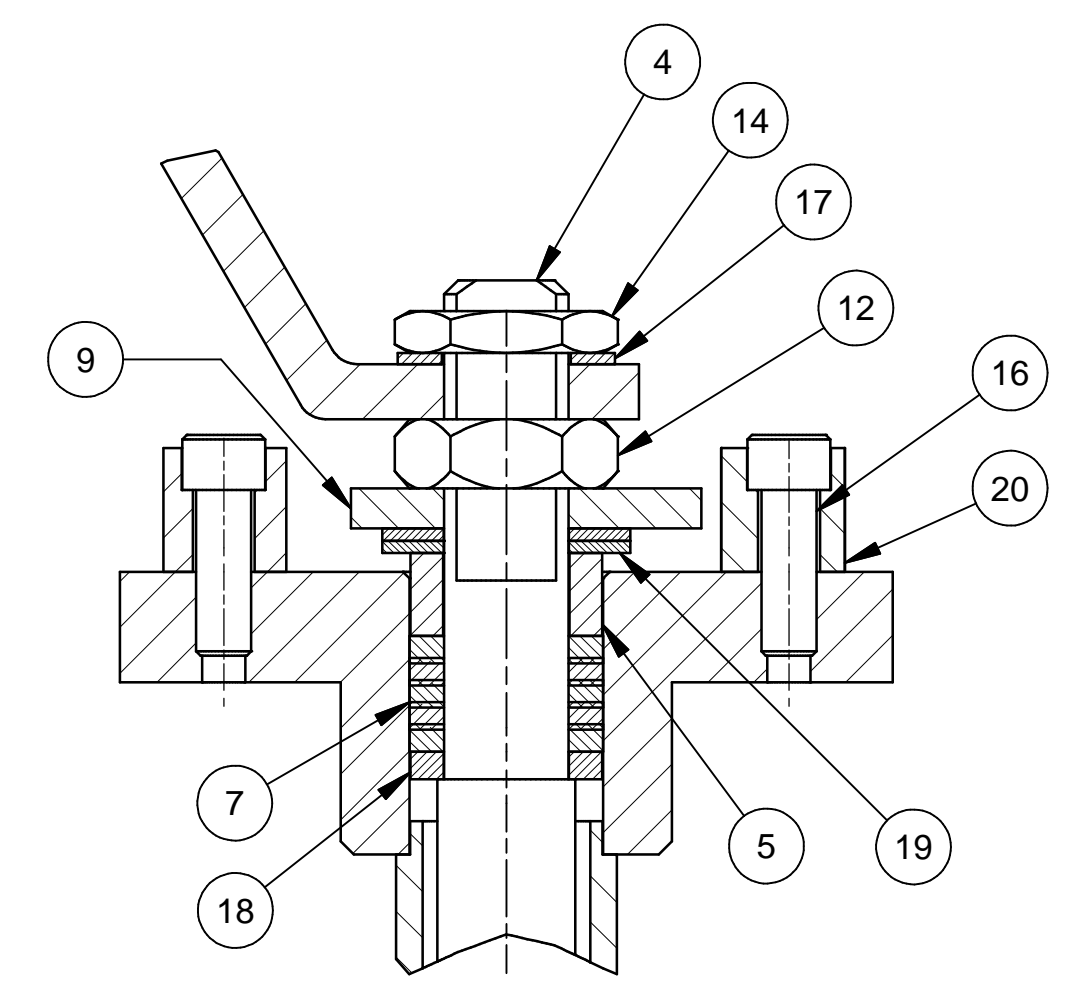
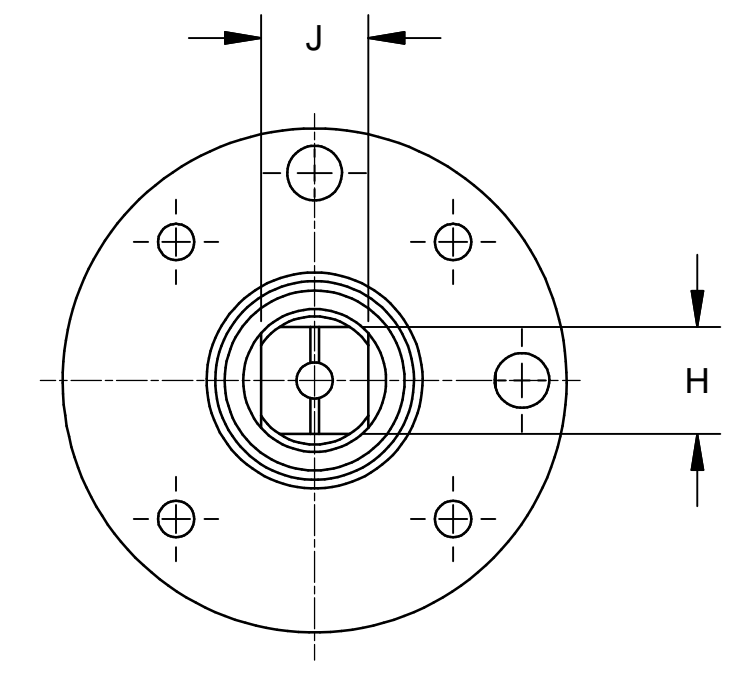
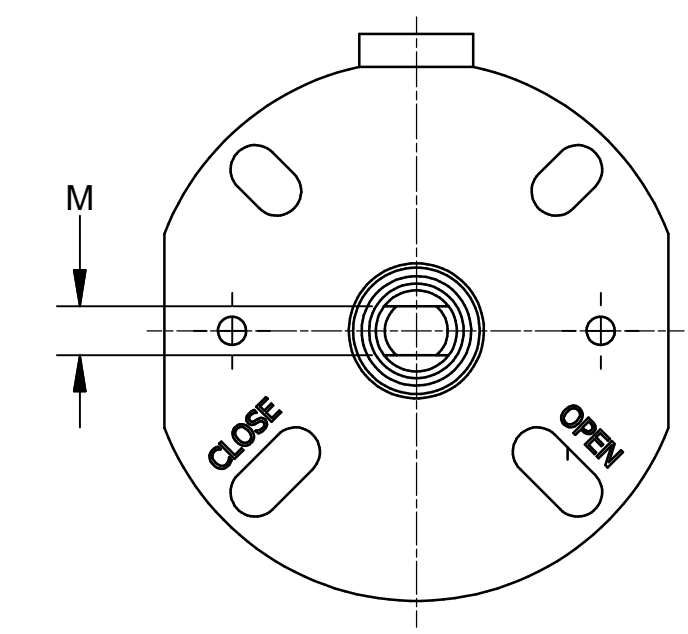
2100 SERIES STD PORT																	
VALVE SIZE	PORT	A1	A2	A3	B1	B2	B3	C	D	E	F	G	H	J	K	L	M
1/2	.50 [12.7]	3.14 [79.8]	3.06 [77.7]	3.06 [77.7]	1.57 [39.9]	1.53 [38.9]	1.53 [38.9]	2.50 [63.5]	9.98 [253.6]	7.98 [202.7]	8.92 [226.6]	5.50 [139.7]			0.38 [9.7]	3/8-24	0.23 [5.84]
3/4	.50 [12.7]	3.14 [79.8]	3.06 [77.7]	3.06 [77.7]	1.57 [39.9]	1.53 [38.9]	1.53 [38.9]	2.50 [63.5]	9.98 [253.6]	7.98 [202.7]	8.92 [226.6]	5.50 [139.7]	-	-	0.38 [9.7]	3/8-24	0.23 [5.84]
1	0.81 [20.6]	3.75 [95.3]	3.69 [93.7]	3.67 [93.2]	1.87 [47.5]	1.84 [47.7]	1.83 [46.5]	3.25 [82.6]	10.33 [263.1]	8.19 [208.0]	9.35 [237.5]	5.50 [139.7]	-	-	0.50 [12.7]	7/16-20	0.30 [7.6]
1 1/2	1.25 [38.1]	4.76 [120.9]	4.70 [119.4]	4.70 [119.4]	2.38 [60.5]	2.35 [64.3]	2.35 [64.3]	4.12 [104.7]	12.72 [323.1]	10.28 [261.1]	11.60 [294.6]	7.55 [191.8]	-	-	0.63 [16.0]	9/16-18	0.34 [8.6]
2	1.50 [38.1]	5.06 [128.5]	5.00 [127.0]	5.00 [127.0]	2.53 [64.3]	2.50 [63.5]	2.50 [63.5]	4.36 [110.7]	12.91 [327.9]	10.47 [264.1]	11.79 [299.5]	7.55 [191.8]	-	-	0.63 [16.0]	9/16-18	0.34 [8.6]
3	2.50 [63.5]	8.25 [209.1]	8.25 [209.1]	8.25 [209.1]	4.13 [104.9]	4.13 [104.9]	4.13 [104.9]	7.25 [184.2]	17.84 [453.1]	15.50 [393.7]	17.76 [451.1]	18.50 [469.9]	0.75 [19.1]	0.75 [19.1]	0.75 [19.1]	-	-

2100 SERIES FULL PORT																	
VALVE SIZE	PORT	A1	A2	A3	B1	B2	B3	C	D	E	F	G	H	J	K	L	M
1/2	.50 [12.7]	2.92 [74.2]	2.64 [67.1]	3.06 [77.7]	1.46 [37.1]	1.32 [33.5]	1.53 [38.9]	2.50 [63.5]	10.10 [256.5]	7.98 [202.7]	8.93 [226.8]	5.57 [141.5]			.32 [8.2]	3/8-24	.23 [5.84]
3/4	0.75 [19.1]	3.67 [93.2]	3.49 [88.6]	3.67 [93.2]	1.84 [46.6]	1.75 [44.5]	1.84 [46.6]	3.25 [82.6]	10.21 [259.4]	8.19 [208.0]	9.34 [237.3]	5.50 [139.7]	-	-	.57 [14.5]	7/16-20	.30 [7.5]
1	1.00 [25.4]	4.62 [117.3]	4.76 [120.9]	4.70 [119.4]	2.31 [58.7]	2.38 [60.5]	2.35 [59.7]	4.12 [117.3]	12.72 [323.1]	10.28 [261.1]	11.60 [294.6]	7.55 [191.8]	-	-	.63 [16.0]	9/16-18	.34 [8.6]
1 1/2	1.50 [38.1]	5.06 [128.5]	5.06 [128.5]	5.00 [127.0]	2.53 [64.3]	2.53 [64.3]	2.50 [63.5]	4.36 [110.7]	12.91 [327.9]	10.47 [265.9]	11.79 [299.5]	7.55 [191.8]	-	-	.63 [16.0]	9/16-18	.34 [8.6]
2	2.00 [50.8]	6.56 [166.6]	6.56 [166.6]	6.00 [152.1]	3.28 [83.3]	3.28 [83.3]	3.00 [76.2]	6.88 [174.8]	-	9.61 [244.1]	11.71 [297.4]	-	0.75 [19.1]	0.75 [19.1]	0.75 [19.1]	-	-
3	3.00 [76.2]	10.75 [273.1]	-	-	5.38 [136.7]	-	-	11.00 [279.4]	-	16.15 [410.2]	18.37 [466.6]	-	0.75 [19.1]	0.75 [19.1]	.73 [18.5]	-	-

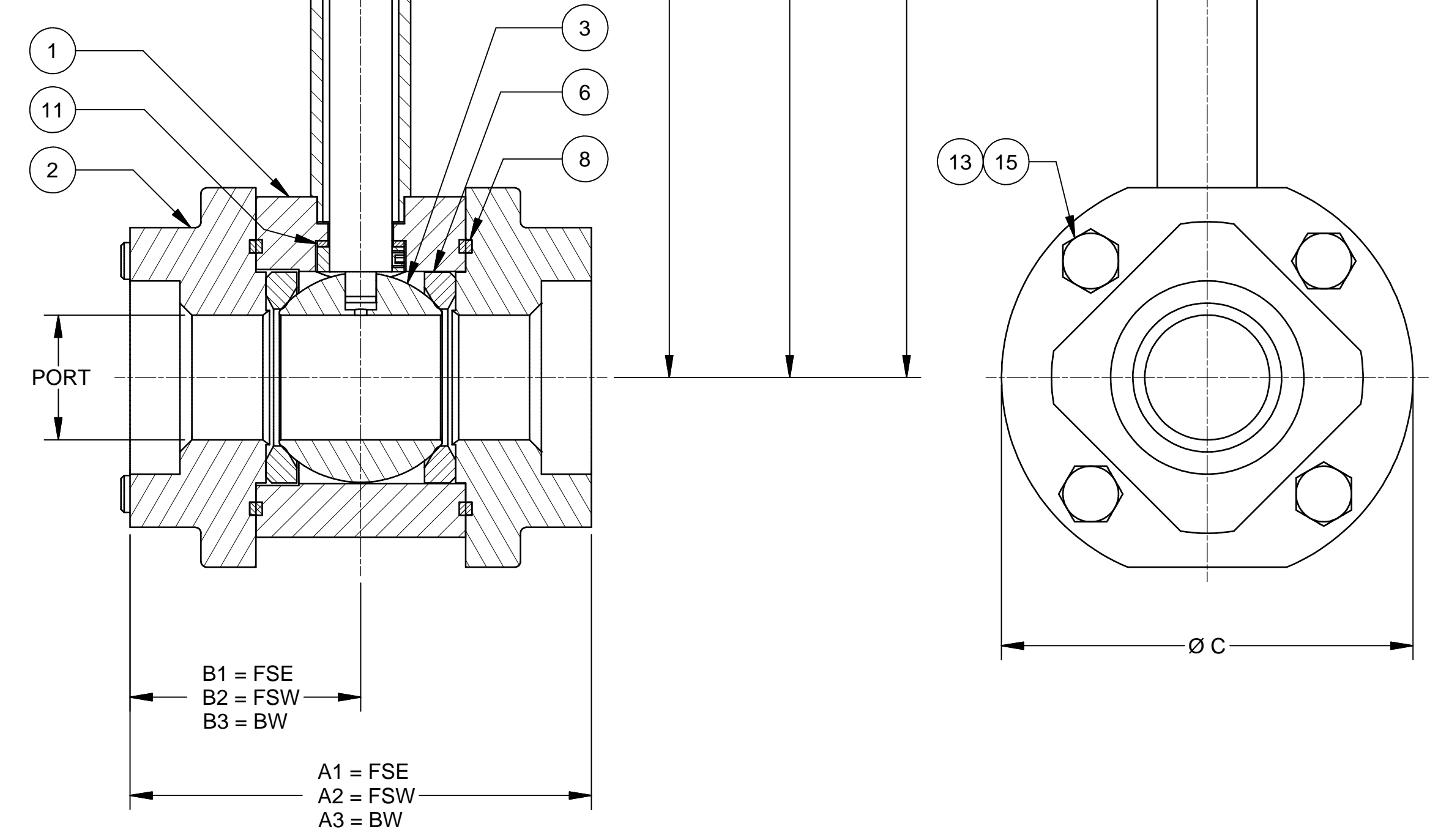


1/2" - 2" MOUNTING CONFIGURATION

3" MOUNTING CONFIGURATION



DETAIL A



ITEM	DESCRIPTION	SPARES
1	BODY WELDMENT	
2	ENDPLATE	
3	BALL	
4	STEM ASSY	
5	FOLLOWER	
6	SEAT	*
7	STEM SEAL	*
8	BODY SEAL	*
9	LOCK STOP	
10	HANDLE	
11	THRUST BEARING	*
12	STEM NUT	
13	BODY NUT	
14	HEX JAM NUT	
15	BODY BOLT	
16	CAP SCREW	
17	LOCK WASHER	
18	SEAL WASHER	
19	BELLEVILLE WASHER	
20	STOP SCREW	

NOTES:

1. REFER TO TBV™ CRYOGENIC BALL VALVE BROCHURE FOR MATERIAL SPECIFICATIONS AND ADDITIONAL INFORMATION.
2. CONTACT TBV ENGINEERING FOR DIMENSIONAL INFORMATION NOT LISTED ABOVE.

SURFACE TREATMENT		DO NOT SCALE			VALVES & MEASUREMENT
DRAWN BY: SAMUEL		DATE: 14 Oct 14			OUTLINE DIMENSIONAL DRAWING 1/2"-3" FSE, FSW & BW CLASS 600 TBV™ SERIES 2100 BALL VALVE
MATERIAL & HEAT TREAT		CHECKED BY: M. RAVI		DATE: 14 Oct 14	
APPROVED BY: M. GLAVIN		DATE: 14 Oct 14		DATE: 14 Oct 14	
ESTIMATED WEIGHT:	LBS	INITIAL USE BM:	KG	SHEET 1 of 1	REV: 03