

Baymaster™ LED Luminaire

High Bay for Hazardous Locations

NEC/CEC:

cCSAus
Class I, Division 2, Group A, B, C, D
Class I, Zone 2, Group IIC
Class II, Division 1&2, Group E, F, G
Class III

NEC/CEC:

Zone 20 and 21 Group IIIC
Zone 22 Group IIIB
Simultaneous Exposure
Marine Outside Type (Salt Water)
for USA Only

NEC/CEC:

Wet Locations
Type 3R, 4 and 4X
IP66/67

ATEX/IECEX:

Zone 2 and 22
IP66
II 3GD
IK10
Ex ec IIC T5

Applications

- Enclosed and gasketed fixtures suitable for use in:
 - A wide range of industrial, chemical processing and other areas where flammable gases and vapors are present, for example;
 - Oil and Gas Refineries
 - Petrochemical Plants
 - Foundries
 - Drilling Rigs
 - Pulp and Paper Mills
 - Food and Beverage Processing Facilities
 - Loading Docks
 - Power Plants
 - Water and Wastewater Treatment Facilities
 - Other areas where corrosive, wet, dirty and tough environments are a problem.

Features

- Three lumen outputs provide up to 19,500 lumens.

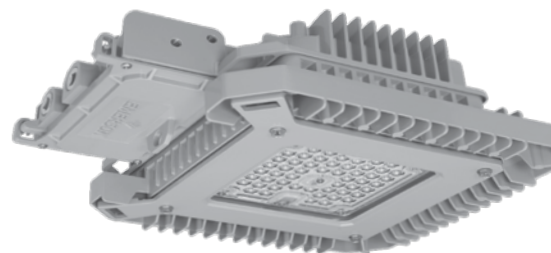
Nominal Lumens ①	Wattage (W)	Efficacy (lpw)	HID Equivalent	Model Number
9,500	70	136	175W-250W	BLLL6/BLLPL6
15,000	110	136	250W-400W	BLLL7/BLLPL7
19,500	150	130	400W-750W	BLLL8/BLLPL8

① Nominal lumen value for 5000K, detailed lumen information provided in tables.

- Choice of optics for optimal light distribution in a variety of applications.
- Unique quick mount pendant system allows for easy prewiring without supporting the High Bay in place. Quick mount adapter hood includes one 3/4" NPT entry.
- Alternate mounting system allows for "Y" cable mount and easy wiring via a separate field wiring compartment with a screw terminal block (can accept UL/CSA 26-10AWG).
- Two 3/4" NPT entries provided. (Two close up plugs provided when quick mount pendant system is ordered).
- One 1/2" NPT close up plug provided on quickmount model for use with accessory drain assembly.
- Choice of color temperature (CCT); 5000K cool white or 3000K warm white.
- Rugged and compact housing with superior thermal design translates to long luminaire life.
- Ambient Temperature: -40 °C to +65 °C (-40 °F to +149 °F)
- Heavy duty, high temperature silicone rubber gaskets.
- Thermal shock and impact resistant clear or frosted glass lens.
- Choice of Input Voltages:
 - 120-277 Vac 50/60 Hz, 170-300 Vdc
 - 347-480 Vac 50/60 Hz
- Standard 6kV surge protection.
- Captive fasteners secure one piece lens.
- Field replaceable LED driver and lens cover.

Options

- Improved safety cable design with multiple retention points, purchase separately
- Guard available, purchase separately
- 10kV Surge Protection
- Y mount cable assembly, purchase separately
- Drain assembly, purchase separately



High Bay

Standard Materials

- Housing and lens door: copperfree (4/10 of 1% max.) aluminum
- Gaskets: silicone rubber
- Quick mount hood and body: copperfree (4/10 of 1% max.) aluminum
- Exterior hardware: stainless steel
- Close up plugs: (two 3/4", one 1/2") aluminum provided for quick mount, (one 3/4") aluminum provided otherwise
- Guard and safety cable: stainless steel

Standard Finishes

- Housing, lens cover, quick mount body and hood; baked gray epoxy powder coat finish, electrostatically applied for complete uniform protection

Related Products

- See Baymaster™ HL LED for Class I, Division 2 hazardous locations requiring higher lumen outputs of 24K, 30K and 38K
- See Industrial Baymaster™ LED for locations requiring lumen outputs of 9.5K, 15K and 19.5K
- See Industrial Baymaster™ HL LED for locations requiring higher lumen outputs of 24K, 30K and 38K

LED/HIGH BAY: NEC/CEC ENCLOSED AND GASKETED

APPLETON

Baymaster™ LED Luminaire

High Bay for Hazardous Locations

NEC/CEC:

cCSAus
 Class I, Division 2, Group A, B, C, D
 Class I, Zone 2, Group IIC
 Class II, Division 1&2, Group E, F, G
 Class III

NEC/CEC:

Zone 20 and 21 Group IIIC
 Zone 22 Group IIIB
 Simultaneous Exposure
 Marine Outside Type (Salt Water)
 for USA Only

NEC/CEC:

Wet Locations
 Type 3R, 4 and 4X
 IP66/67

ATEX/IECEX:

Zone 2 and 22
 IP66
 II 3GD
 IK10
 Ex ec IIC T5

NEC/CEC Certifications and Compliances

- UL Standards:
 - UL 844 Hazardous Locations Luminaire and Luminaire Fittings
 - UL1598, Luminaires
 - UL1598A, Luminaires for Installation on Marine Vessels
 - UL 8750 LED Equipment for Use in Lighting Products
 - UL50/UL50E Enclosures for Electrical Equipment, Environmental Considerations
- CSA Standards:
 - C22.2 No. 137 Luminaires for Use in Hazardous Locations
 - C22.2 No. 250.0, Luminaires
 - C22.2 No. 250.13 Light Emitting Diode (LED) Equipment for use in Lighting Applications
 - C22.2 No. 60079-0 Explosive Atmospheres – Part 0
 - C22.2 No. 94.1 Enclosures for Electrical Equipment, Non-Environmental Considerations
- cCSAus: 164460, Certificate Number: 70073611

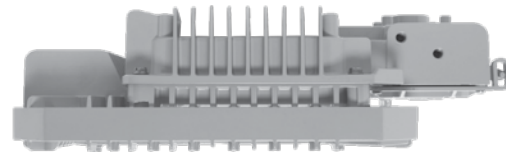
ATEX/IECEX Certifications and Compliances

- Certification Type: Baymaster LED
 - Gas: Zone 2
 - Conforming to ATEX 2014/34/EU: II 3 G
 - Type of Protection: Ex ec IIC Gc
 - Temperature Class: T5 to T3
 - Dust: Zone 22
 - Conforming to ATEX 2014/34/EU: II 3 D
 - Type of Protection: Ex tc IIIC Dc
 - Surface Temperature: +85 °C to +100 °C (+185 °F to +212 °F)
- Ambient Temperature: -40 °C up to +65 °C (-40 °F up to +268 °F)
- ATEX Certificate: SIRA 17ATEX3241
- IECEx Certificate: IECEx SIR 17.0079
- Index of Protection according EN/IEC 60529: IP66
- Impact Resistance (shock): IK10
- Photobiological Safety, IEC 62778 and IEC 62471: RG0

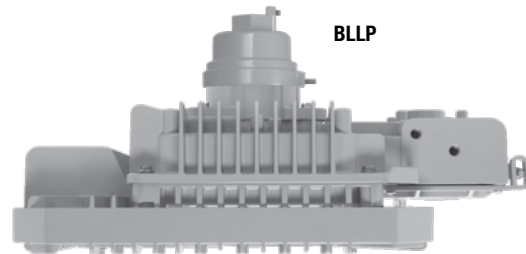
DesignLights™ Consortium (for the following models)

- All models pending.

BLL



BLLP



LED/HIGH BAY- NEC/CEC ENCLOSED AND GASKETED

APPLETON™

Baymaster™ LED Luminaire

High Bay for Hazardous Locations

NEC/CEC:

cCSAus
 Class I, Division 2, Group A, B, C, D
 Class I, Zone 2, Group IIC
 Class II, Division 1&2, Group E, F, G
 Class III

NEC/CEC:

Zone 20 and 21 Group IIIC
 Zone 22 Group IIIB
 Simultaneous Exposure
 Marine Outside Type (Salt Water)
 for USA Only

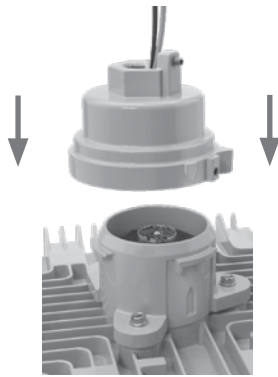
NEC/CEC:

Wet Locations
 Type 3R, 4 and 4X
 IP66/67

ATEX/IECEX:

Zone 2 and 22
 IP66
 II 3GD
 IK10
 Ex ec IIC T5

Illustrated Features



Quick Mount Pendant System

Appleton's patented quick mount pendant system allows for easy prewiring of a hood for quick, one person fixture installation. Simply align the arrows, push up, and rotate the luminaire a quarter turn until it locks into place. Specify quick mount pendant with a "P" in the fifth digit of the part number.



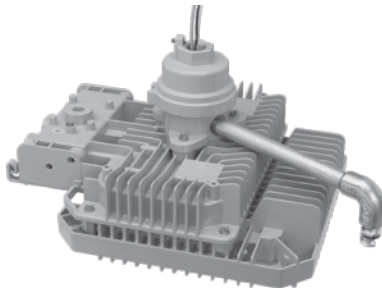
Cable Mount Option

The Baymaster High Bay can also be mounted with two Y style aircraft cables with spring clips, secured to eye bolts on the luminaire housing. Non quick mount models can be cable mounted and are wired through the 3/4" NPT entries in the wire box.



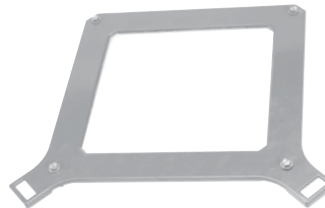
Driver Assembly

Replaceable drivers are waterproof (IP67) and offer standard 6kV surge protection and over temperature protection.



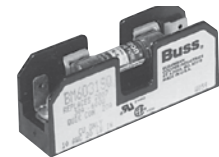
Optional Drain Assembly

Includes 9" long, 1/2" trade size conduit nipple, elbow and drain.



Replaceable Cover Assembly

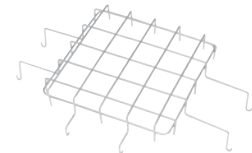
The replaceable cover assembly is available with clear or frosted glass.



Optional Fusing *

Luminaire can be ordered with optional fusing. Fusing is not field installable.

* Use of fuse voids marine rating.



Optional Wire Guard

Stainless steel wire guard can be used for additional protection.

LED/HIGH BAY: NEC/CEC ENCLOSED AND GASKETED

APPLETON

Baymaster™ LED Luminaire

High Bay for Hazardous Locations

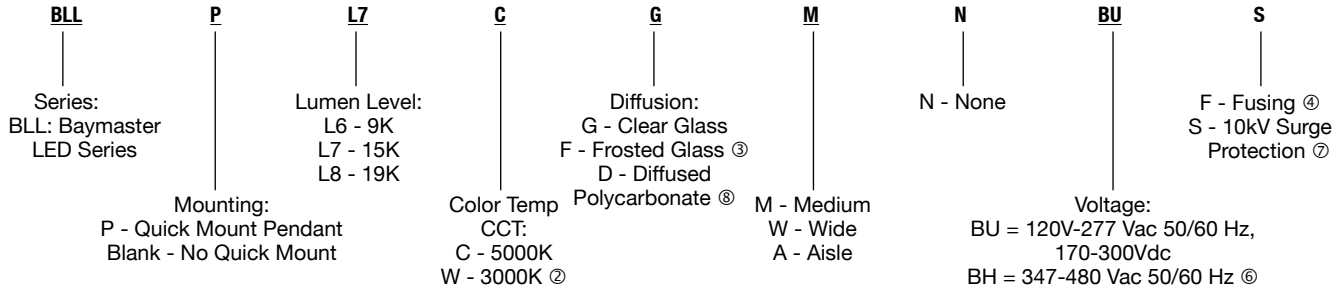
NEC/CEC:
 cCSAus
 Class I, Division 2, Group A, B, C, D
 Class I, Zone 2, Group IIC
 Class II, Division 1&2, Group E, F, G
 Class III

NEC/CEC:
 Zone 20 and 21 Group IIIC
 Zone 22 Group IIIB
 Simultaneous Exposure
 Marine Outside Type (Salt Water)
 for USA Only

NEC/CEC:
 Wet Locations
 Type 3R, 4 and 4X
 IP66/67

ATEX/IECEX:
 Zone 2 and 22
 IP66
 II 3GD
 IK10
 Ex ec IIC T5

Order using catalog numbering guides below or select catalog number from tables on following pages.



Lumen Output Tables ⑤:

Lumen Output for Clear Glass Lens			
	BLLL6/BLLPL6	BLLL7/BLLPL7	BLLL8/BLLPL8
Type V Medium (Non Optic), 5000K CCT, CRI 70	9800	15400	20100
Type V Wide 3000K CCT, CRI 80	7500	11400	14700
Type V Wide 5000K CCT, CRI 70	8700	13600	17700
Type I Aisle 3000K CCT, CRI 80	8400	12600	16400
Type I Aisle 5000K CCT, CRI 70	9700	15200	19800

Lumen Output for Frosted Glass Lens			
	BLLL6/BLLPL6	BLLL7/BLLPL7	BLLL8/BLLPL8
Type V (Non Optic), 5000K CCT, CRI 70	8200	13000	16700

LED/HIGH BAY: NEC/CEC ENCLOSED AND GASKETED

APPLETON™

- ① Quick mount pendant includes pre wired, factory installed, quick mount pendant body and hood. No quick mount models are wired through the 3/4" NPT entries and a provided screw terminal block in the wiring compartment.
- ② 3000K CCT (Warm) is only available with Type V Wide or Type I Aisle light patterns
- ③ Frosted Glass is only available with Type V Medium light pattern
- ④ Use of fuse voids Marine rating. Fusing available for NEC/CEC only.
- ⑤ All lumen values are typical (tolerance +/-10%).
- ⑥ BH voltage available for NEC/CEC only.
- ⑦ 10 KV Surge Protection available for NEC/CEC only.
- ⑧ Diffused polycarbonate available for NEC/CEC only.

Baymaster™ LED Luminaire

High Bay for Hazardous Locations

NEC/CEC:
 cCSAus
 Class I, Division 2, Group A, B, C, D
 Class I, Zone 2, Group IIC
 Class II, Division 1&2, Group E, F, G
 Class III

NEC/CEC:
 Zone 20 and 21 Group IIIC
 Zone 22 Group IIIB
 Simultaneous Exposure
 Marine Outside Type (Salt Water)
 for USA Only

NEC/CEC:
 Wet Locations
 Type 3R, 4 and 4X
 IP66/67

ATEX/IECEx:
 Zone 2 and 22
 IP66
 II 3GD
 IK10
 Ex ec IIC T5

Electrical Ratings ①

Model Number	Voltage Suffix	Voltage (V)	Input Power (Watts)	Input Current (Amps)	Power Factor (PF)	Total Harmonic Distortion (THD)
BLLL6 BLLPL6	BU	120 Vac	73	0.62	>.9	<20%
		277 Vac	71	0.27		
	BH	170 Vdc	69	0.41	N/A	N/A
		300 Vdc	68	0.23		
BLLL7 BLLPL7	BU	347 Vac	71	0.21	>.9	<20%
		480 Vac	71	0.16		
		120 Vac	111	0.94		
	BH	277 Vac	106	0.43	N/A	N/A
		170 Vdc	113	0.67		
		300 Vdc	111	0.37		
BLLL8 BLLPL8	BU	347 Vac	115	0.33	>.9	<20%
		480 Vac	115	0.25		
		120 Vac	154	1.30		
	BH	277 Vac	146	0.56	N/A	N/A
		170 Vdc	156	0.92		
		300 Vdc	152	0.51		
BH	347 Vac	150	0.43	>.9	<20%	
	480 Vac	149	0.32			

Technical Data

Line Voltage	Max Ambient Temperature °C (°F)	Min Supply Wire °C (°F)	Class I, Division 2 Groups A, B, C & D	Class I, Zone 2, Group IIC	Class II, Division 1, Groups E, F & G	Zone 20, Group IIIC	Class I, Division 2 & Class II, Division 1	Model Number
120-277 Vac/ 170-300Vdc	40 (104)	90 (194)	T5	T5	T6	T6	T4A	BLLL6/BLLPL6
	55 (131)		T4A	T4	T6	T6	T4A	
	65 (149)		T4A	T4	T6	T6	T4	
347-480 Vac	40 (104)	90 (194)	T5	T5	T6	T6	T4A	BLLL7/BLLPL7
	55 (131)		T4A	T4	T6	T6	T4A	
	65 (149)		T4A	T4	T6	T6	T4	
120-277 Vac/ 170-300Vdc	40 (104)	90 (194)	T4	T4	T6	T6	T4	BLLL8/BLLPL8
	55 (131)		T3C	T3	T6	T6	T3C	
	65 (149)		T3C	T3	T5	T5	T3C	
347-480 Vac	40 (104)	90 (194)	T4	T4	T6	T6	T4	BLLL8/BLLPL8
	55 (131)		T3C	T3	T6	T6	T3C	
	65 (149)		T3C	T3	T5	T5	T3C	
120-277 Vac/ 170-300Vdc	40 (104)	90 (194)	T3C	T3	T6	T6	T3C	BLLL8/BLLPL8
	55 (131)		T3B	T3	T5	T5	T3A	
	65 (149)		T3A	T3	T5	T5	T3A	
347-480 Vac	40 (104)	90 (194)	T3C	T3	T6	T6	T3C	BLLL8/BLLPL8
	55 (131)		T3B	T3	T5	T5	T3A	
	65 (149)		T3A	T3	T5	T5	T3A	

Surge Protection: Integral 6KV surge protection. Option for up to 10KV surge protection. (cCSAus only).

① All ratings are typical.

Visit our website at www.emerson.com or contact us at (800) 621-1506.

© June 2018

LED/HIGH BAY: NEC/CEC ENCLOSED AND GASKETED

APPLETON

Baymaster™ LED Luminaire

High Bay for Hazardous Locations

NEC/CEC:
 cCSAus
 Class I, Division 2, Group A, B, C, D
 Class I, Zone 2, Group IIC
 Class II, Division 1&2, Group E, F, G
 Class III

NEC/CEC:
 Zone 20 and 21 Group IIIC
 Zone 22 Group IIIB
 Simultaneous Exposure
 Marine Outside Type (Salt Water)
 for USA Only

NEC/CEC:
 Wet Locations
 Type 3R, 4 and 4X
 IP66/67

ATEX/IECEX:
 Zone 2 and 22
 IP66
 II 3GD
 IK10
 Ex ec IIC T5

CCT	Lumen Output	Wattage	Efficacy (lm/W)	Optical Pattern	Catalog Number ①
-----	--------------	---------	-----------------	-----------------	------------------

Clear Glass With Quick Mount Pendant System

120-277 Vac/170-300 Vdc

5000K (cool white)	9800	70	140	Type V Medium (120° beam angle)	BLLPL6CGMNBU
5000K (cool white)	8700	70	124	Type V Wide (140° beam angle)	BLLPL6CGWNB
5000K (cool white)	9700	70	139	Type I (Aisle)	BLLPL6CGANBU
3000K (warm white)	7500	70	107	Type V Wide (140° beam angle)	BLLPL6WGWNB
3000K (warm white)	8400	70	120	Type I (Aisle)	BLLPL6WGANBU
5000K (cool white)	15400	111	139	Type V Medium (120° beam angle)	BLLPL7CGMNBU
5000K (cool white)	13600	111	123	Type V Wide (140° beam angle)	BLLPL7CGWNB
5000K (cool white)	15200	111	137	Type I (Aisle)	BLLPL7CGANBU
3000K (warm white)	11400	111	103	Type V Wide (140° beam angle)	BLLPL7WGWNB
3000K (warm white)	12600	111	114	Type I (Aisle)	BLLPL7WGANBU
5000K (cool white)	20100	155	130	Type V Medium (120° beam angle)	BLLPL8CGMNBU
5000K (cool white)	17700	155	114	Type V Wide (140° beam angle)	BLLPL8CGWNB
5000K (cool white)	19800	155	128	Type I (Aisle)	BLLPL8CGANBU
3000K (warm white)	14700	155	95	Type V Wide (140° beam angle)	BLLPL8WGWNB
3000K (warm white)	16400	155	106	Type I (Aisle)	BLLPL8WGANBU

347-480 Vac

5000K (cool white)	9800	70	140	Type V Medium (120° beam angle)	BLLPL6CGMNBH
5000K (cool white)	8700	70	124	Type V Wide (140° beam angle)	BLLPL6CGWNBH
5000K (cool white)	9700	70	139	Type I (Aisle)	BLLPL6CGANBH
3000K (warm white)	7500	70	107	Type V Wide (140° beam angle)	BLLPL6WGWNBH
3000K (warm white)	8400	70	120	Type I (Aisle)	BLLPL6WGANBH
5000K (cool white)	15400	111	139	Type V Medium (120° beam angle)	BLLPL7CGMNBH
5000K (cool white)	13600	111	123	Type V Wide (140° beam angle)	BLLPL7CGWNBH
5000K (cool white)	15200	111	137	Type I (Aisle)	BLLPL7CGANBH
3000K (warm white)	11400	111	103	Type V Wide (140° beam angle)	BLLPL7WGWNBH
3000K (warm white)	12600	111	114	Type I (Aisle)	BLLPL7WGANBH
5000K (cool white)	20100	155	130	Type V Medium (120° beam angle)	BLLPL8CGMNBH
5000K (cool white)	17700	155	114	Type V Wide (140° beam angle)	BLLPL8CGWNBH
5000K (cool white)	19800	155	128	Type I (Aisle)	BLLPL8CGANBH
3000K (warm white)	14700	155	95	Type V Wide (140° beam angle)	BLLPL8WGWNBH
3000K (warm white)	16400	155	106	Type I (Aisle)	BLLPL8WGANBH

Frosted Glass With Quick Mount Pendant System

120-277 Vac/170-300 Vdc

5000K (cool white)	8200	70	117	Type V Medium (120° beam angle)	BLLPL6CFMNBU
5000K (cool white)	13000	111	117	Type V Medium (120° beam angle)	BLLPL7CFMNBU
5000K (cool white)	16700	158	106	Type V Medium (120° beam angle)	BLLPL8CFMNBU

347-480 Vac

5000K (cool white)	8200	71	115	Type V Medium (120° beam angle)	BLLPL6CFMNBH
5000K (cool white)	13000	115	113	Type V Medium (120° beam angle)	BLLPL7CFMNBH
5000K (cool white)	16700	157	106	Type V Medium (120° beam angle)	BLLPL8CFMNBH

① For Fusing option, add suffix **F** to end of part number, example **BLLPL6CGANBUF**.
 For 10KV surge protection, add suffix **S** to end of part number, example **BLLPL7CGMNBUS**.
 For both Fusing and 10KV surge, add suffix **FS** to end of part number, example **BLLPL8WGANBUFS**.

Baymaster™ LED Luminaire

High Bay for Hazardous Locations

NEC/CEC:

cCSAus
Class I, Division 2, Group A, B, C, D
Class I, Zone 2, Group IIC
Class II, Division 1&2, Group E, F, G
Class III

NEC/CEC:

Zone 20 and 21 Group IIIC
Zone 22 Group IIIB
Simultaneous Exposure
Marine Outside Type (Salt Water)
for USA Only

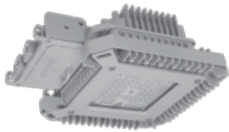
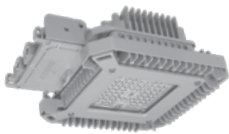
NEC/CEC:

Wet Locations
Type 3R, 4 and 4X
IP66/67

ATEX/IECEX:

Zone 2 and 22
IP66
II 3GD
IK10
Ex ec IIC T5

CCT	Lumen Output	Wattage	Efficacy (lm/W)	Optical Pattern	Catalog Number ①
Clear Glass Without Quick Mount Pendant System					
120-277 Vac/170-300 Vdc					
5000K (cool white)	9800	70	140	Type V Medium (120° beam angle)	BLLL6CGMNBU
5000K (cool white)	8700	70	124	Type V Wide (140° beam angle)	BLLL6CGWNBU
5000K (cool white)	9700	70	139	Type I (Aisle)	BLLL6CGANBU
3000K (warm white)	7500	70	107	Type V Wide (140° beam angle)	BLLL6WGWNB
3000K (warm white)	8400	70	120	Type I (Aisle)	BLLL6WGANBU
5000K (cool white)	15400	111	139	Type V Medium (120° beam angle)	BLLL7CGMNBU
5000K (cool white)	13600	111	123	Type V Wide (140° beam angle)	BLLL7CGWNBU
5000K (cool white)	15200	111	137	Type I (Aisle)	BLLL7CGANBU
3000K (warm white)	11400	111	103	Type V Wide (140° beam angle)	BLLL7WGWNB
3000K (warm white)	12600	111	114	Type I (Aisle)	BLLL7WGANBU
5000K (cool white)	20100	155	130	Type V Medium (120° beam angle)	BLLL8CGMNBU
5000K (cool white)	17700	155	114	Type V Wide (140° beam angle)	BLLL8CGWNBU
5000K (cool white)	19800	155	128	Type I (Aisle)	BLLL8CGANBU
3000K (warm white)	14700	155	95	Type V Wide (140° beam angle)	BLLL8WGWNB
3000K (warm white)	16400	155	106	Type I (Aisle)	BLLL8WGANBU
347-480 Vac					
5000K (cool white)	9800	70	140	Type V Medium (120° beam angle)	BLLL6CGMNBH
5000K (cool white)	8700	70	124	Type V Wide (140° beam angle)	BLLL6CGWNBH
5000K (cool white)	9700	70	139	Type I (Aisle)	BLLL6CGANBH
3000K (warm white)	7500	70	107	Type V Wide (140° beam angle)	BLLL6WGWNBH
3000K (warm white)	8400	70	120	Type I (Aisle)	BLLL6WGANBH
5000K (cool white)	15400	111	139	Type V Medium (120° beam angle)	BLLL7CGMNBH
5000K (cool white)	13600	111	123	Type V Wide (140° beam angle)	BLLL7CGWNBH
5000K (cool white)	15200	111	137	Type I (Aisle)	BLLL7CGANBH
3000K (warm white)	11400	111	103	Type V Wide (140° beam angle)	BLLL7WGWNBH
3000K (warm white)	12600	111	114	Type I (Aisle)	BLLL7WGANBH
5000K (cool white)	20100	155	130	Type V Medium (120° beam angle)	BLLL8CGMNBH
5000K (cool white)	17700	155	114	Type V Wide (140° beam angle)	BLLL8CGWNBH
5000K (cool white)	19800	155	128	Type I (Aisle)	BLLL8CGANBH
3000K (warm white)	14700	155	95	Type V Wide (140° beam angle)	BLLL8WGWNBH
3000K (warm white)	16400	155	106	Type I (Aisle)	BLLL8WGANBH
Frosted Glass Without Quick Mount Pendant System					
120-277 Vac/170-300 Vdc					
5000K (cool white)	8200	70	117	Type V Medium (120° beam angle)	BLLL6CFMNB
5000K (cool white)	13000	111	117	Type V Medium (120° beam angle)	BLLL7CFMNB
5000K (cool white)	16700	158	106	Type V Medium (120° beam angle)	BLLL8CFMNB
347-480 Vac					
5000K (cool white)	8200	71	115	Type V Medium (120° beam angle)	BLLL6CFMNBH
5000K (cool white)	13000	115	113	Type V Medium (120° beam angle)	BLLL7CFMNBH
5000K (cool white)	16700	157	106	Type V Medium (120° beam angle)	BLLL8CFMNBH



LED/HIGH BAY: NEC/CEC ENCLOSED AND GASKETED

APPLETON

① For Fusing option, add suffix **F** to end of part number, example BLLLPL6CGANBU**F**.
For 10KV surge protection, add suffix **S** to end of part number, example BLLLPL7CGMNBUS**S**.
For both Fusing and 10KV surge, add suffix **FS** to end of part number, example BLLLPL8WGANBU**FS**.

Baymaster™ LED Luminaire

High Bay for Hazardous Locations

NEC/CEC:

cSAUs
 Class I, Division 2, Group A, B, C, D
 Class I, Zone 2, Group IIC
 Class II, Division 1&2, Group E, F, G
 Class III

NEC/CEC:

Zone 20 and 21 Group IIIC
 Zone 22 Group IIIB
 Simultaneous Exposure
 Marine Outside Type (Salt Water)
 for USA Only

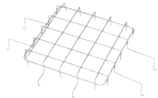





NEC/CEC:

Wet Locations
 Type 3R, 4 and 4X
 IP66/67

ATEX/IECEX:

Zone 2 and 22
 IP66
 II 3GD
 IK10
 Ex ec IIC T5

Accessories and Replacement Parts

	Description	Catalog Number
Wire Guard		
	Stainless steel.	LGGUARD
Safety Cable		
	Stainless steel.	LEDSC
Drain		
	9" long, 1/2" trade size drain assembly for use with quick mount pendant hood.	LEDDR9
Y Mounting Cable		
	1.5 M (5 ft.) cable mount - stainless steel. Includes two (5 ft.) Y cables with spring clips and four eye bolts.	LEDSC5
Safety Support Hooks		
	3/4" malleable iron hook and loop	EFHM-75
Replacement Covers		
	Clear replacement cover	BLLCLEAR
	Frosted replacement cover	BLLFROST

LED/HIGH BAY- NEC/CEC ENCLOSED AND GASKETED

APPLETON™

Baymaster™ LED Luminaire

High Bay for Hazardous Locations

NEC/CEC:

cCSAus
Class I, Division 2, Group A, B, C, D
Class I, Zone 2, Group IIC
Class II, Division 1&2, Group E, F, G
Class III

NEC/CEC:

Zone 20 and 21 Group IIIC
Zone 22 Group IIIB
Simultaneous Exposure
Marine Outside Type (Salt Water)
for USA Only



NEC/CEC:

Wet Locations
Type 3R, 4 and 4X
IP66/67

ATEX/IECEX:

Zone 2 and 22
IP66
II 3GD
IK10
Ex ec IIC T5

Replacement Drivers

	Voltage	Driver Wattage	Constant Current Setting	Luminaire Model	CCT	Catalog Number
	BU	100 watt	410mA	BLLL6C/ BLLPL6C BLLL6W/ BLLPL6W	5000K and 3000K	APMS100C105UD41
	BH					APMS100C105HD41
	BU	150 watt	650mA	BLLL7W/ BLLPL7W	3000K	APMS150C105UD65
	BH					APMS150C105HD65
	BU	150 watt	680mA	BLLL7C/ BLLPL7C	5000K	APMS150C105UD68
	BH					APMS150C105HD68
	BU	150 watt	890mA	BLLL8W/ BLLPL8W	3000K	APMS150C105UD89
	BH					APMS150C105HD89
BU	150 watt	930mA	BLLL8C/ BLLPL8C	5000K	APMS150C105HD93	
BH					APMS150C105HD93	

Baymaster Accessory Weights

Description	Weight in kg (lbs)
BLLL6/BLLPL6, BLL7/BLLPL7, BLL8/BLLPL8 Luminaires	9.8 (21.6)
Quick Mount Hood	0.4 (0.9)
Guard	0.2 (0.4)
Safety Cable	0.2 (0.4)
Drain	0.5 (1.2)
Y Cable Mount	0.5 (1.2)

LED/HIGH BAY: NEC/CEC ENCLOSED AND GASKETED

APPLETON™

Baymaster™ LED Luminaire

High Bay for Hazardous Locations

NEC/CEC:
 cCSAus
 Class I, Division 2, Group A, B, C, D
 Class I, Zone 2, Group IIC
 Class II, Division 1&2, Group E, F, G
 Class III

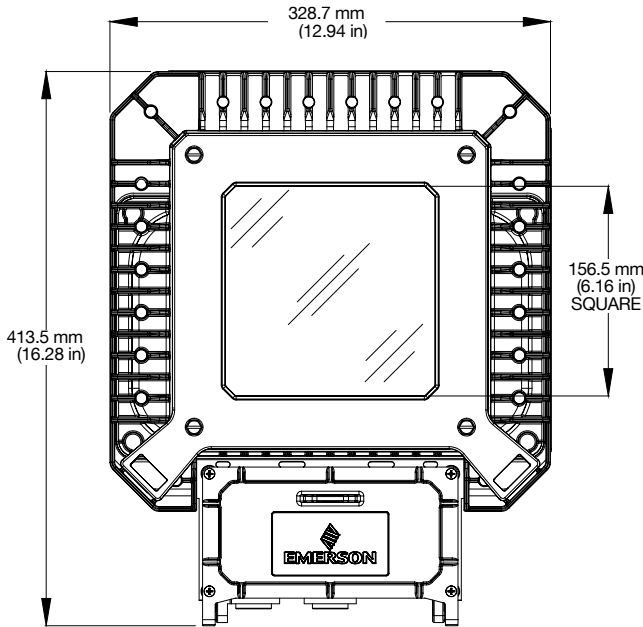
NEC/CEC:
 Zone 20 and 21 Group IIIC
 Zone 22 Group IIIB
 Simultaneous Exposure
 Marine Outside Type (Salt Water)
 for USA Only

NEC/CEC:
 Wet Locations
 Type 3R, 4 and 4X
 IP66/67

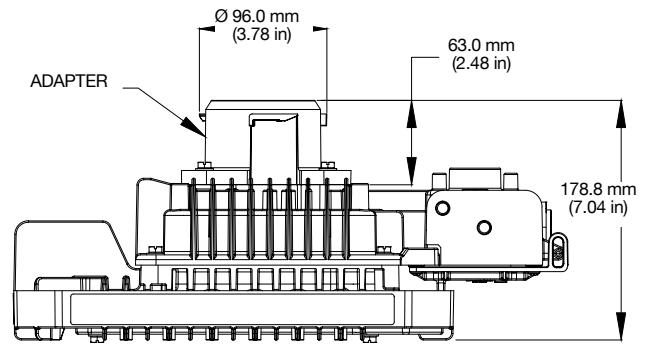
ATEX/IECEX:
 Zone 2 and 22
 IP66
 II 3GD
 IK10
 Ex ec IIC T5

Dimensions in Millimeters (Inches)

High Bay – With Quick Mount Pendant System

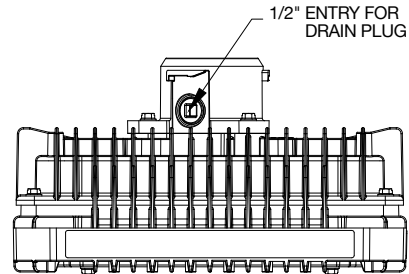
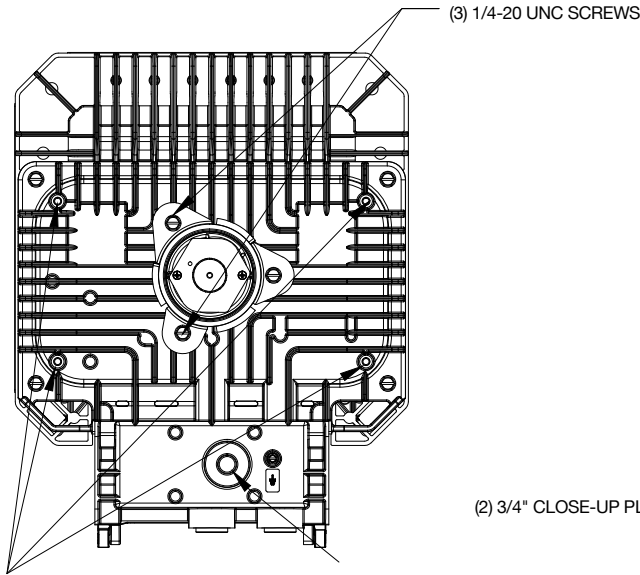


BLLP Models

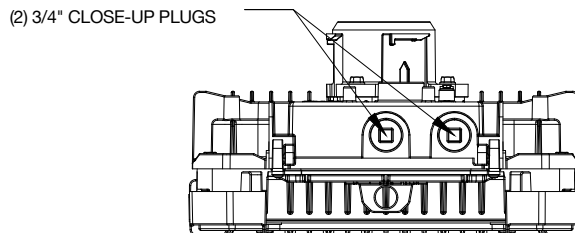


LED/HIGH BAY- NEC/CEC ENCLOSED AND GASKETED

APPLETON™



BLLP Models



Baymaster™ LED Luminaire

High Bay for Hazardous Locations

NEC/CEC:
 cSAUs
 Class I, Division 2, Group A, B, C, D
 Class I, Zone 2, Group IIC
 Class II, Division 1&2, Group E, F, G
 Class III

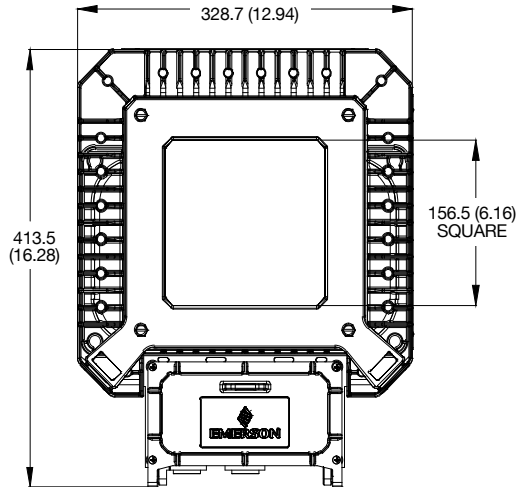
NEC/CEC:
 Zone 20 and 21 Group IIIC
 Zone 22 Group IIIB
 Simultaneous Exposure
 Marine Outside Type (Salt Water)
 for USA Only

NEC/CEC:
 Wet Locations
 Type 3R, 4 and 4X
 IP66/67

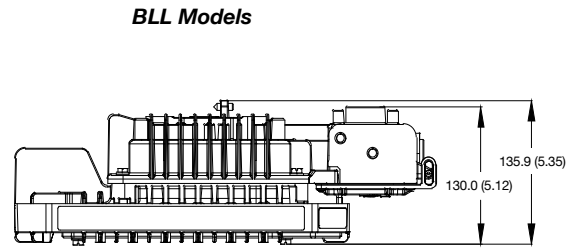
ATEX/IECEx:
 Zone 2 and 22
 IP66
 II 3GD
 IK10
 Ex ec IIC T5

Dimensions in Millimeters (Inches)

High Bay – No Mount

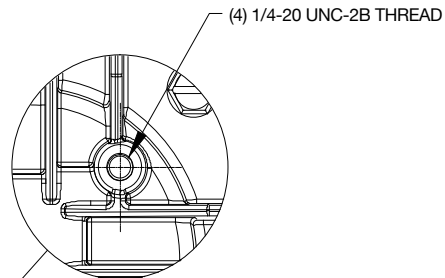
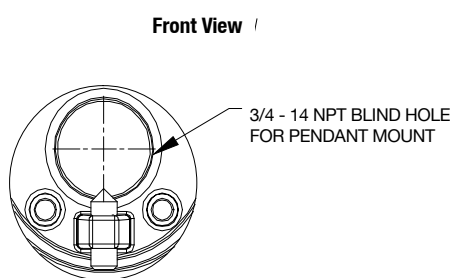


Front View

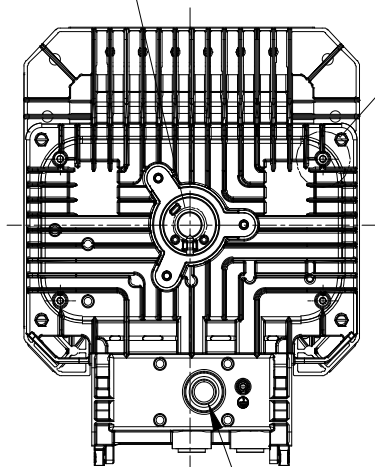


BLL Models

Side View

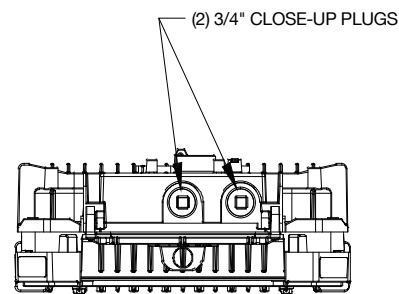


BLL Models



Back View

(1) 3/4 - 14 NPT FOR CABLE ENTRY WITH CLOSE-UP PLUG



Bottom View

LED/HIGH BAY: NEC/CEC ENCLOSED AND GASKETED

APPLETON

Baymaster™ LED Luminaire

High Bay for Hazardous Locations

NEC/CEC:
 cCSAus
 Class I, Division 2, Group A, B, C, D
 Class I, Zone 2, Group IIC
 Class II, Division 1&2, Group E, F, G
 Class III

NEC/CEC:
 Zone 20 and 21 Group IIIC
 Zone 22 Group IIIB
 Simultaneous Exposure
 Marine Outside Type (Salt Water)
 for USA Only

NEC/CEC:
 Wet Locations
 Type 3R, 4 and 4X
 IP66/67

ATEX/IECEX:
 Zone 2 and 22
 IP66
 II 3GD
 IK10
 Ex ec IIC T5

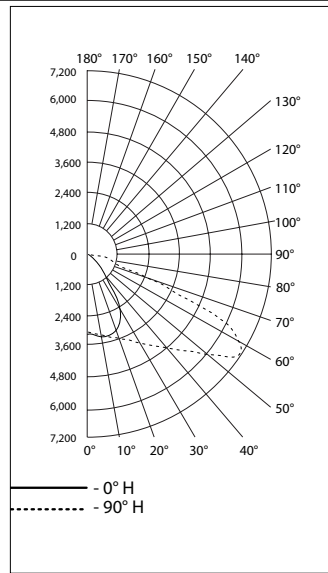
Photometric Data — DATA SHOWN IS ABSOLUTE

Aisle, Clear Glass

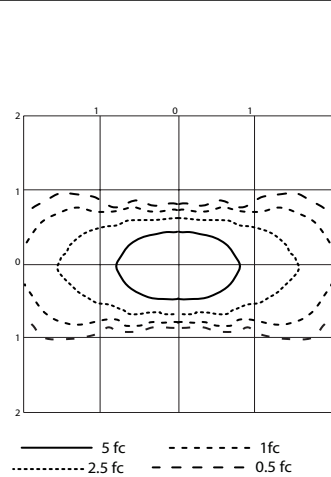
REPORT NUMBER: **BLLPL6CGANBU**

Luminaire Lumens 9,679

POLAR CANDELA DISTRIBUTION



ISOFOOT CANDLE PLOT



ZONAL LUMEN SUMMARY

Zone	Lumens	% Luminaire
0-30	2,820.3	29.1%
0-40	4,676.6	48.3%
0-60	8,307.1	85.8%
60-90	1,371.3	14.2%
70-100	171.1	1.8%
90-120	0	0%
0-90	9,678.4	100%
90-180	0	0%
0-180	9,678.4	100%

LUMENS PER ZONE

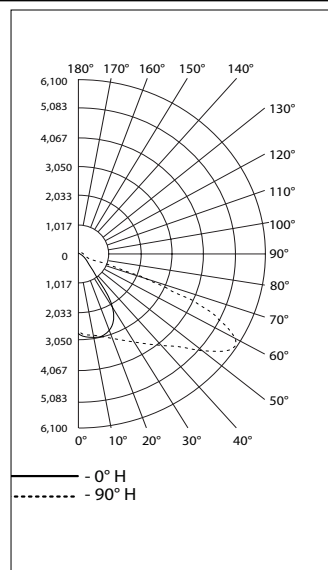
Zone	Lumens	% Total	Zone
0-10	306.6	3.2%	90-100
10-20	952.6	9.8%	100-110
20-30	1,561.2	16.1%	110-120
30-40	1,856.2	19.2%	120-130
40-50	1,764.9	18.2%	130-140
50-60	1,865.7	19.3%	140-150
60-70	1,200.2	12.4%	150-160
70-80	159.2	1.6%	160-170
80-90	11.9	0.1%	170-180

Aisle, Clear Glass

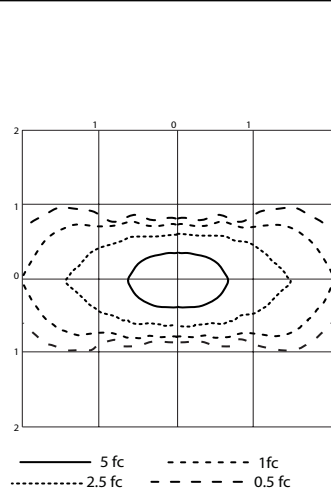
REPORT NUMBER: **BLLPL6WGANBU**

Luminaire Lumens 8,432

POLAR CANDELA DISTRIBUTION



ISOFOOT CANDLE PLOT



ZONAL LUMEN SUMMARY

Zone	Lumens	% Luminaire
0-30	2,507.0	29.7%
0-40	4,141.6	49.1%
0-60	7,265.0	86.2%
60-90	1,166.5	13.8%
70-100	139.9	1.7%
90-120	0	0%
0-90	8,431.5	100%
90-180	0	0%
0-180	8,431.5	100%

LUMENS PER ZONE

Zone	Lumens	% Total	Zone
0-10	275.1	3.3%	90-100
10-20	849.7	10.1%	100-110
20-30	1,382.2	16.4%	110-120
30-40	1,634.5	19.4%	120-130
40-50	1,536.3	18.2%	130-140
50-60	1,587.2	18.8%	140-150
60-70	1,026.6	12.2%	150-160
70-80	128.8	1.5%	160-170
80-90	11.1	0.1%	170-180

LED/HIGH BAY: NEC/CEC ENCLOSED AND GASKETED

APPLETON™

Baymaster™ LED Luminaire

High Bay for Hazardous Locations

NEC/CEC:
cSAus
 Class I, Division 2, Group A, B, C, D
 Class I, Zone 2, Group IIC
 Class II, Division 1&2, Group E, F, G
 Class III

NEC/CEC:
 Zone 20 and 21 Group IIIC
 Zone 22 Group IIIB
 Simultaneous Exposure
 Marine Outside Type (Salt Water)
 for USA Only

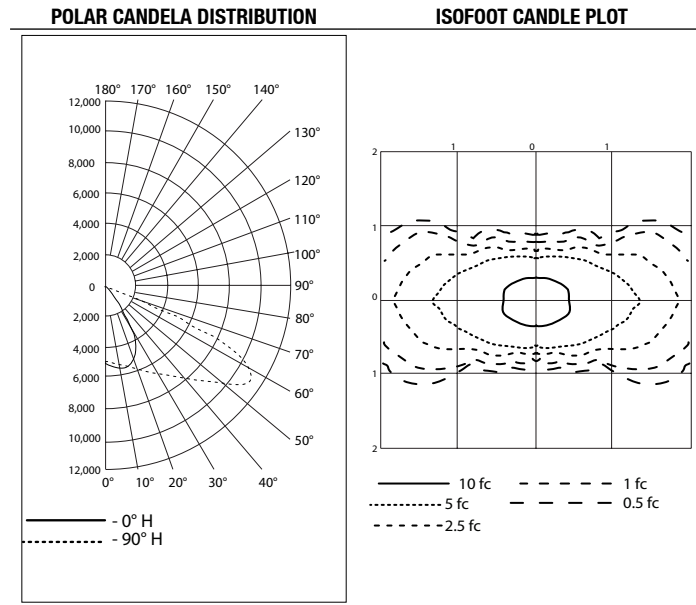
NEC/CEC:
 Wet Locations
 Type 3R, 4 and 4X
 IP66/67

ATEX/IECEX:
 Zone 2 and 22
 IP66
 II 3GD
 IK10
 Ex ec IIC T5

Photometric Data — DATA SHOWN IS ABSOLUTE

Aisle, Clear Glass
 REPORT NUMBER: **BLLPL7CGANBU**

Luminaire Lumens 15,234



ZONAL LUMEN SUMMARY

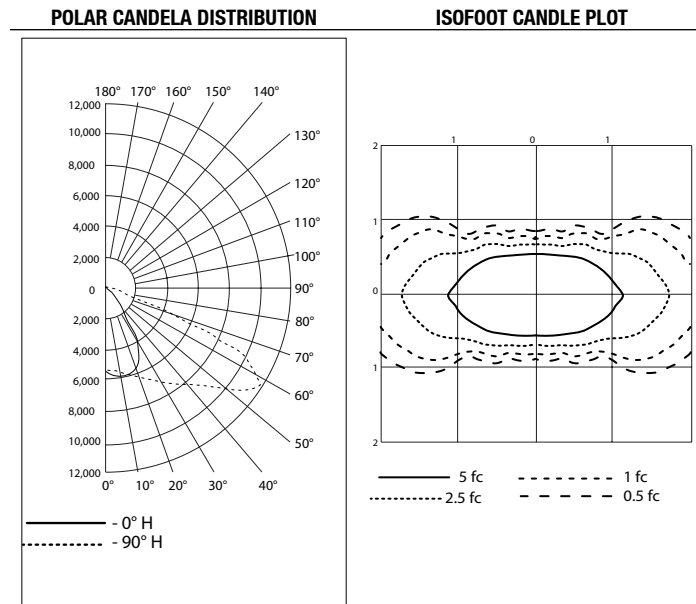
Zone	Lumens	% Luminaire
0-30	4,456.3	29.3%
0-40	7,383.0	48.5%
0-60	13,097.7	86%
60-90	2,136.1	14%
70-100	262.4	1.7%
90-120	0	0%
0-90	15,233.8	100%
90-180	0	0%
0-180	15,233.8	100%

LUMENS PER ZONE

Zone	Lumens	% Total	Zone
0-10	484.8	3.2%	90-100
10-20	1,506.6	9.9%	100-110
20-30	2,464.8	16.2%	110-120
30-40	2,926.7	19.2%	120-130
40-50	2,779.6	18.2%	130-140
50-60	2,935.1	19.3%	140-150
60-70	1,873.7	12.3%	150-160
70-80	243.9	1.6%	160-170
80-90	18.5	0.1%	170-180

Aisle, Clear Glass
 REPORT NUMBER: **BLLPL7WGANBU**

Luminaire Lumens 12,579



ZONAL LUMEN SUMMARY

Zone	Lumens	% Luminaire
0-30	3,750.7	29.8%
0-40	6,191.4	49.2%
0-60	10,866.4	86.4%
60-90	1,711.8	13.6%
70-100	199.6	1.6%
90-120	0	0%
0-90	12,578.2	100%
90-180	0	0%
0-180	12,578.2	100%

LUMENS PER ZONE

Zone	Lumens	% Total	Zone
0-10	412.0	3.3%	90-100
10-20	1,272.1	10.1%	100-110
20-30	2,066.7	16.4%	110-120
30-40	2,440.6	19.4%	120-130
40-50	2,296.4	18.3%	130-140
50-60	2,378.7	18.9%	140-150
60-70	1,512.1	12.0%	150-160
70-80	183.7	1.5%	160-170
80-90	15.9	0.1%	170-180

Baymaster™ LED Luminaire

High Bay for Hazardous Locations

NEC/CEC:
 cCSAus
 Class I, Division 2, Group A, B, C, D
 Class I, Zone 2, Group IIC
 Class II, Division 1&2, Group E, F, G
 Class III

NEC/CEC:
 Zone 20 and 21 Group IIIC
 Zone 22 Group IIIB
 Simultaneous Exposure
 Marine Outside Type (Salt Water)
 for USA Only

NEC/CEC:
 Wet Locations
 Type 3R, 4 and 4X
 IP66/67

ATEX/IECEX:
 Zone 2 and 22
 IP66
 II 3GD
 IK10
 Ex ec IIC T5

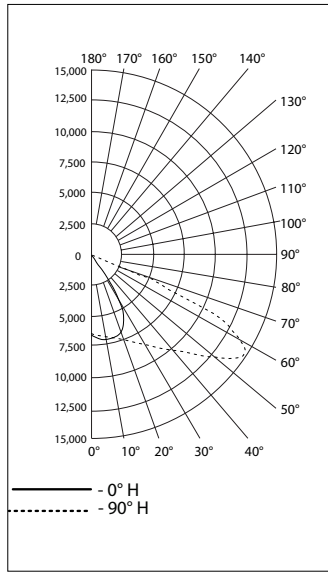
Photometric Data – DATA SHOWN IS ABSOLUTE

Aisle, Clear Glass

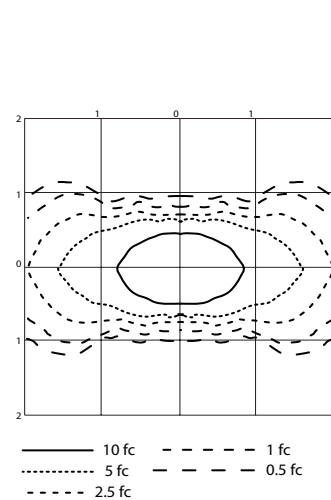
REPORT NUMBER: **BLLPL8CGANBU**

Luminaire Lumens 19,774

POLAR CANDELA DISTRIBUTION



ISOFOOT CANDLE PLOT



FLOOD SUMMARY

Zone	Lumens	% Luminaire
0-30	5,782.9	29.2%
0-40	9,577.4	48.4%
0-60	17,028.6	86.1%
60-90	2,744.6	13.9%
70-100	335.8	1.7%
90-120	0	0%
0-90	19,773.2	100%
90-180	0	0%
0-180	19,773.2	100%

LUMENS PER ZONE

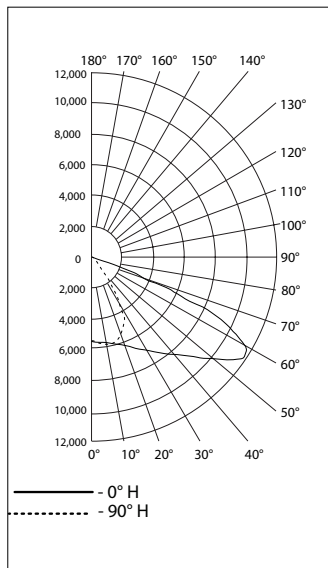
Zone	Lumens	% Total	Zone
0-10	629.4	3.2%	90-100
10-20	1,956.0	9.9%	100-110
20-30	3,197.4	16.2%	110-120
30-40	3,794.6	19.2%	120-130
40-50	3,616.6	18.3%	130-140
50-60	3,834.5	19.4%	140-150
60-70	2,408.8	12.2%	150-160
70-80	310.4	1.6%	160-170
80-90	25.4	0.1%	170-180

Aisle, Clear Glass

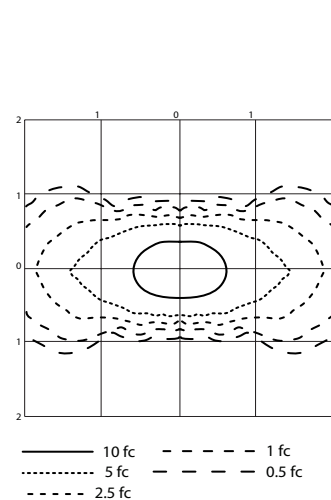
REPORT NUMBER: **BLLPL8WGANBU**

Luminaire Lumens 16,350

POLAR CANDELA DISTRIBUTION



ISOFOOT CANDLE PLOT



ZONAL LUMEN SUMMARY

Zone	Lumens	% Luminaire
0-30	4,884.8	29.9%
0-40	8,058.6	49.3%
0-60	14,153.0	86.6%
60-90	2,196.0	13.4%
70-100	253.6	1.6%
90-120	0	0%
0-90	16,349.0	100%
90-180	0	0%
0-180	16,349.0	100%

LUMENS PER ZONE

Zone	Lumens	% Total	Zone
0-10	536.5	3.3%	90-100
10-20	1,657.0	10.1%	100-110
20-30	2,691.4	16.5%	110-120
30-40	3,173.7	19.4%	120-130
40-50	2,984.8	18.3%	130-140
50-60	3,109.6	19.0%	140-150
60-70	1,942.4	11.9%	150-160
70-80	232.7	1.4%	160-170
80-90	20.8	0.1%	170-180

LED/HIGH BAY: NEC/CEC ENCLOSED AND GASKETED

APPLETON™

Baymaster™ LED Luminaire

High Bay for Hazardous Locations

NEC/CEC:
 cSAus
 Class I, Division 2, Group A, B, C, D
 Class I, Zone 2, Group IIC
 Class II, Division 1&2, Group E, F, G
 Class III

NEC/CEC:
 Zone 20 and 21 Group IIIC
 Zone 22 Group IIIB
 Simultaneous Exposure
 Marine Outside Type (Salt Water)
 for USA Only

NEC/CEC:
 Wet Locations
 Type 3R, 4 and 4X
 IP66/67

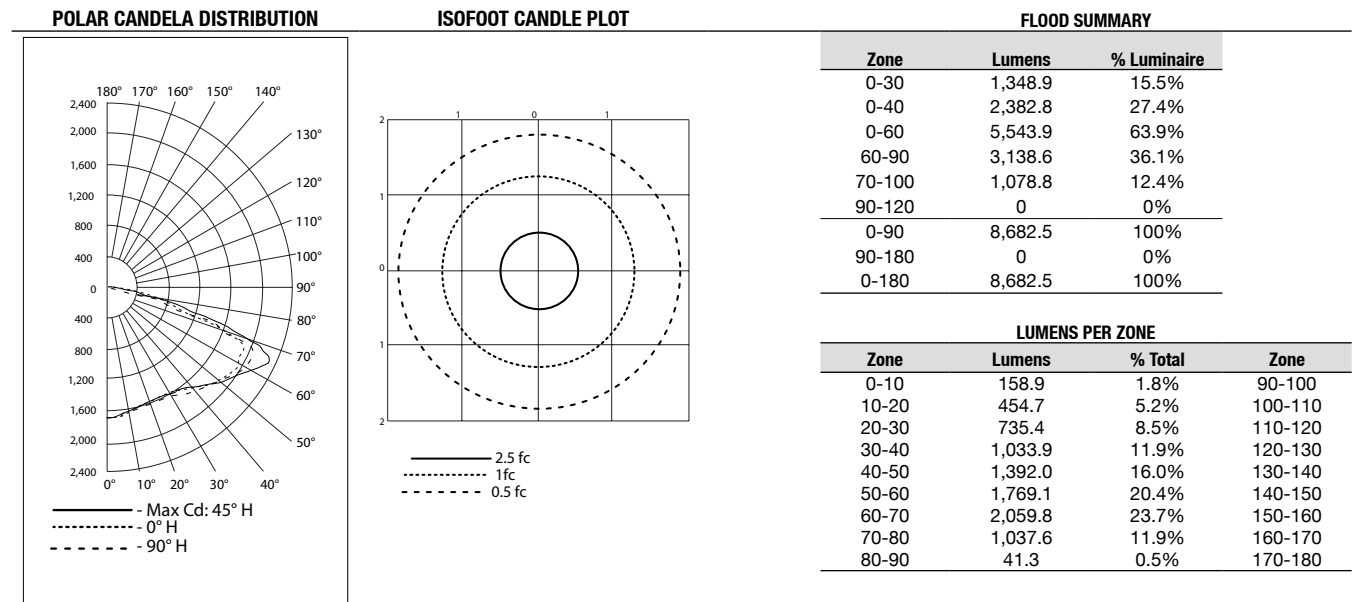
ATEX/IECEX:
 Zone 2 and 22
 IP66
 II 3GD
 IK10
 Ex ec IIC T5

Photometric Data — DATA SHOWN IS ABSOLUTE

Type V Wide, Clear Glass

REPORT NUMBER: **BLPL6CGWNB**

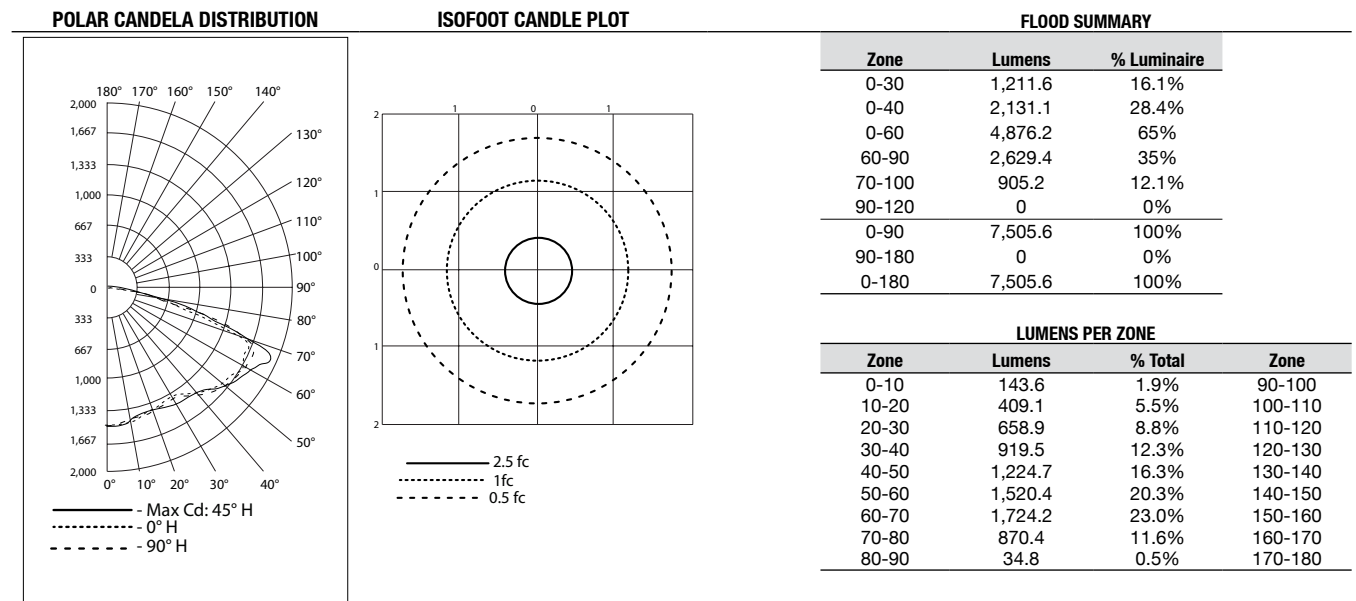
Luminaire Lumens 8,682



Type V Wide, Clear Glass

REPORT NUMBER: **BLPI6WGWNB**

Luminaire Lumens 7,506



Baymaster™ LED Luminaire

High Bay for Hazardous Locations

NEC/CEC:
 cCSAus
 Class I, Division 2, Group A, B, C, D
 Class I, Zone 2, Group IIC
 Class II, Division 1&2, Group E, F, G
 Class III

NEC/CEC:
 Zone 20 and 21 Group IIIC
 Zone 22 Group IIIB
 Simultaneous Exposure
 Marine Outside Type (Salt Water)
 for USA Only

NEC/CEC:
 Wet Locations
 Type 3R, 4 and 4X
 IP66/67

ATEX/IECEX:
 Zone 2 and 22
 IP66
 II 3GD
 IK10
 Ex ec IIC T5

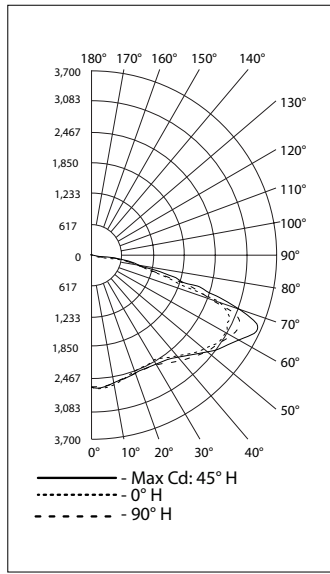
Photometric Data – DATA SHOWN IS ABSOLUTE

Type V Wide, Clear Glass

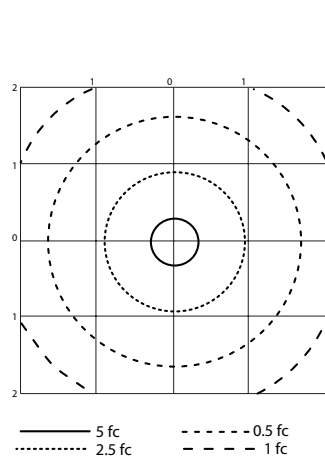
REPORT NUMBER: **BLLPL7CGWNBU**

Luminaire Lumens 13,608

POLAR CANDELA DISTRIBUTION



ISOFOOT CANDLE PLOT



FLOOD SUMMARY

Zone	Lumens	% Luminaire
0-30	2,119.5	15.6%
0-40	3,743.3	27.5%
0-60	8,711.1	64%
60-90	4,897.4	36%
70-100	1,668.8	12.3%
90-120	0	0%
0-90	13,608.5	100%
90-180	0	0%
0-180	13,608.5	100%

LUMENS PER ZONE

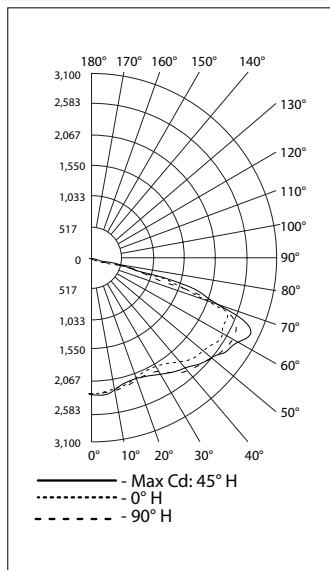
Zone	Lumens	% Total	Zone
0-10	249.6	1.8%	90-100
10-20	714.5	5.3%	100-110
20-30	1,155.4	8.5%	110-120
30-40	1,623.7	11.9%	120-130
40-50	2,188.0	16.1%	130-140
50-60	2,779.9	20.4%	140-150
60-70	3,228.7	23.7%	150-160
70-80	1,606.3	11.8%	160-170
80-90	62.4	0.5%	170-180

Type V Wide, Clear Glass

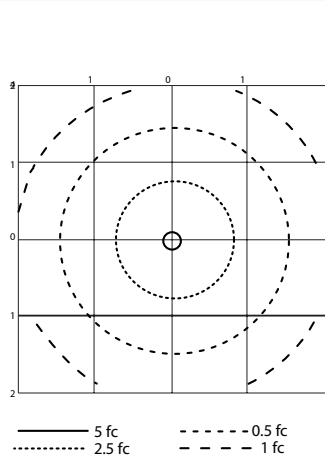
REPORT NUMBER: **BLLPI7WGWNU**

Luminaire Lumens 11,351

POLAR CANDELA DISTRIBUTION



ISOFOOT CANDLE PLOT



FLOOD SUMMARY

Zone	Lumens	% Luminaire
0-30	1,832.3	16.1%
0-40	3,226.8	28.4%
0-60	7,385.1	65.1%
60-90	3,965.6	34.9%
70-100	1,355.2	11.9%
90-120	0	0%
0-90	11,350.7	100%
90-180	0	0%
0-180	11,350.7	100%

LUMENS PER ZONE

Zone	Lumens	% Total	Zone
0-10	216.7	1.9%	90-100
10-20	618.0	5.4%	100-110
20-30	997.6	8.8%	110-120
30-40	1,394.6	12.3%	120-130
40-50	1,855.9	16.4%	130-140
50-60	2,302.3	20.3%	140-150
60-70	2,610.5	23.0%	150-160
70-80	1,305.4	11.5%	160-170
80-90	49.8	0.4%	170-180

LED/HIGH BAY: NEC/CEC ENCLOSED AND GASKETED

APPLETON™

Baymaster™ LED Luminaire

High Bay for Hazardous Locations

NEC/CEC:
 cCSAus
 Class I, Division 2, Group A, B, C, D
 Class I, Zone 2, Group IIC
 Class II, Division 1&2, Group E, F, G
 Class III

NEC/CEC:
 Zone 20 and 21 Group IIIC
 Zone 22 Group IIIB
 Simultaneous Exposure
 Marine Outside Type (Salt Water)
 for USA Only

NEC/CEC:
 Wet Locations
 Type 3R, 4 and 4X
 IP66/67

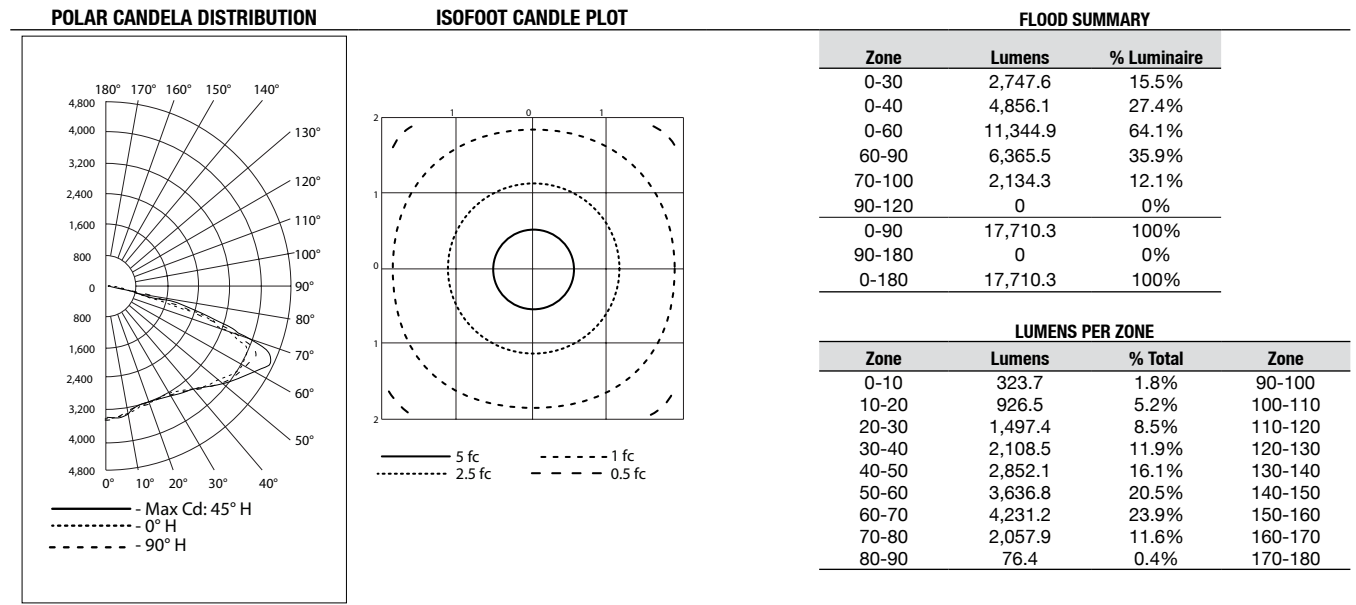
ATEX/IECEX:
 Zone 2 and 22
 IP66
 II 3GD
 IK10
 Ex ec IIC T5

Photometric Data — DATA SHOWN IS ABSOLUTE

Type V Wide, Clear Glass

REPORT NUMBER: **BLPL8CGWNB**

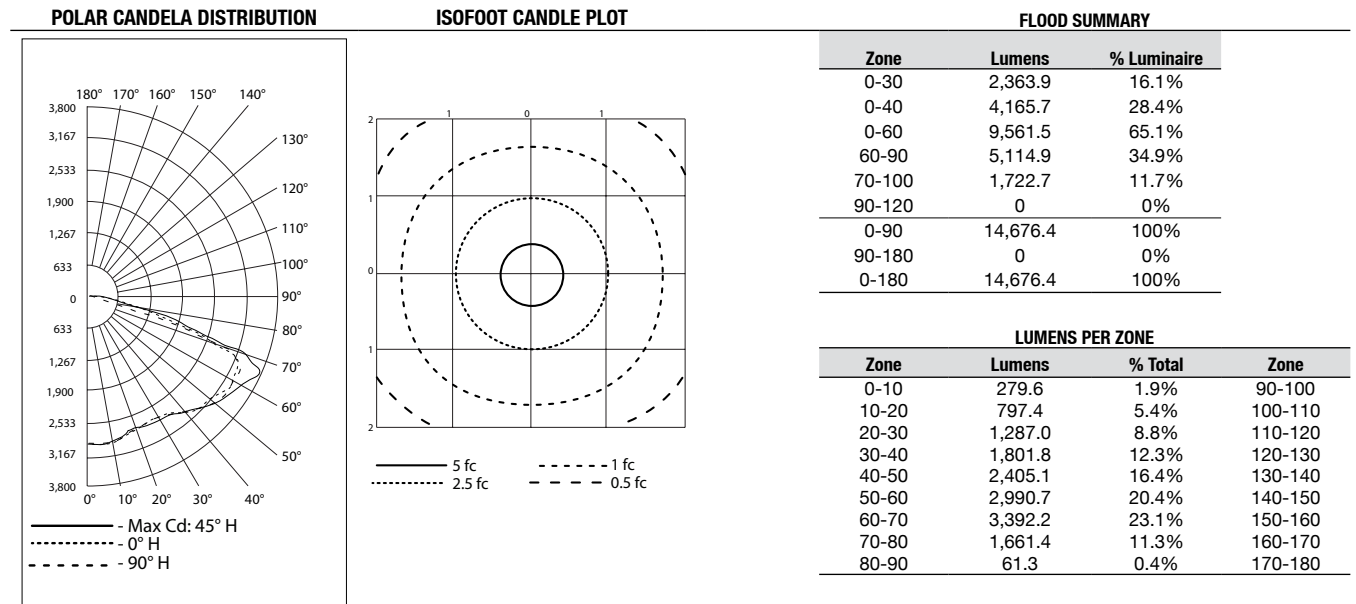
Luminaire Lumens 17,710



Type V Wide, Clear Glass

REPORT NUMBER: **BLPL8WGWNBU**

Luminaire Lumens 14,676



Baymaster™ LED Luminaire

High Bay for Hazardous Locations

NEC/CEC:
 cSAus
 Class I, Division 2, Group A, B, C, D
 Class I, Zone 2, Group IIC
 Class II, Division 1&2, Group E, F, G
 Class III

NEC/CEC:
 Zone 20 and 21 Group IIIC
 Zone 22 Group IIIB
 Simultaneous Exposure
 Marine Outside Type (Salt Water)
 for USA Only

NEC/CEC:
 Wet Locations
 Type 3R, 4 and 4X
 IP66/67

ATEX/IECEX:
 Zone 2 and 22
 IP66
 II 3GD
 IK10
 Ex ec IIC T5

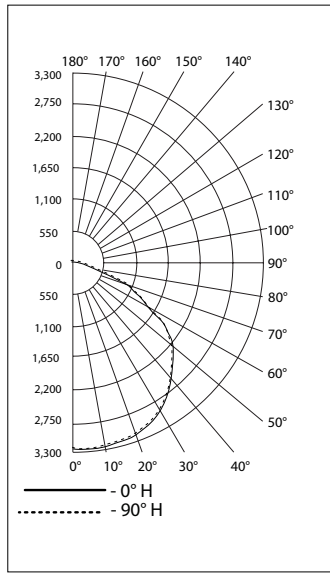
Photometric Data – DATA SHOWN IS ABSOLUTE

Type V, Clear Glass

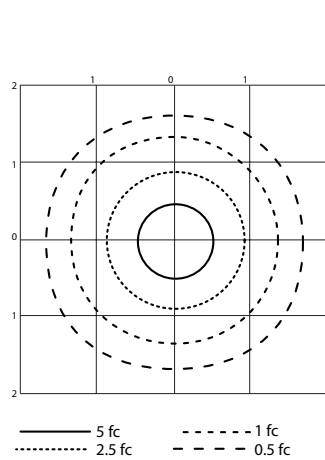
REPORT NUMBER: **BLLPL6CGMNB**

Luminaire Lumens 9,758

POLAR CANDELA DISTRIBUTION



ISOFOOT CANDLE PLOT



FLOOD SUMMARY

Zone	Lumens	% Luminaire
0-30	2,652.8	27.2%
0-40	4,452.5	45.6%
0-60	8,136.0	83.4%
60-90	1,621.4	16.6%
70-100	448.1	4.6%
90-120	0	0%
0-90	9,757.4	100%
90-180	0	0%
0-180	9,757.4	100%

LUMENS PER ZONE

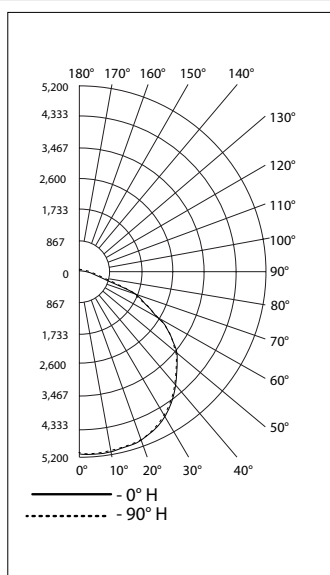
Zone	Lumens	% Total	Zone
0-10	308.6	3.2%	90-100
10-20	909.9	9.3%	100-110
20-30	1,434.3	14.7%	110-120
30-40	1,799.7	18.4%	120-130
40-50	1,932.1	19.8%	130-140
50-60	1,751.4	17.9%	140-150
60-70	1,173.3	12.0%	150-160
70-80	416.4	4.3%	160-170
80-90	31.7	0.3%	170-180

Type V, Clear Glass

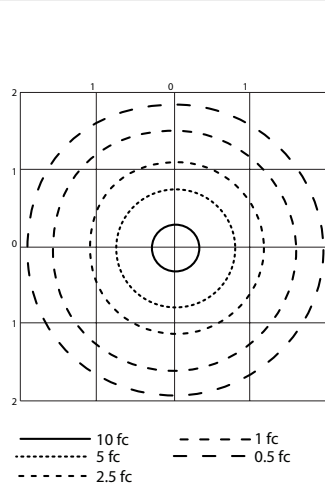
REPORT NUMBER: **BLLPL7CGMNB**

Luminaire Lumens 15,392

POLAR CANDELA DISTRIBUTION



ISOFOOT CANDLE PLOT



FLOOD SUMMARY

Zone	Lumens	% Luminaire
0-30	4,187.7	27.2%
0-40	7,034.1	45.7%
0-60	12,847.0	83.5%
60-90	2,544.4	16.5%
70-100	704.8	4.6%
90-120	0	0%
0-90	15,391.4	100%
90-180	0	0%
0-180	15,391.4	100%

LUMENS PER ZONE

Zone	Lumens	% Total	Zone
0-10	486.6	3.2%	90-100
10-20	1,435.2	9.3%	100-110
20-30	2,265.9	14.7%	110-120
30-40	2,846.4	18.5%	120-130
40-50	3,051.4	19.8%	130-140
50-60	2,761.4	17.9%	140-150
60-70	1,839.6	12.0%	150-160
70-80	655.0	4.3%	160-170
80-90	49.8	0.3%	170-180

LED/HIGH BAY: NEC/CEC ENCLOSED AND GASKETED

APPLETON™

Baymaster™ LED Luminaire

High Bay for Hazardous Locations

NEC/CEC:
cSAus
 Class I, Division 2, Group A, B, C, D
 Class I, Zone 2, Group IIC
 Class II, Division 1&2, Group E, F, G
 Class III

NEC/CEC:
 Zone 20 and 21 Group IIIC
 Zone 22 Group IIIB
 Simultaneous Exposure
 Marine Outside Type (Salt Water)
 for USA Only

NEC/CEC:
 Wet Locations
 Type 3R, 4 and 4X
 IP66/67

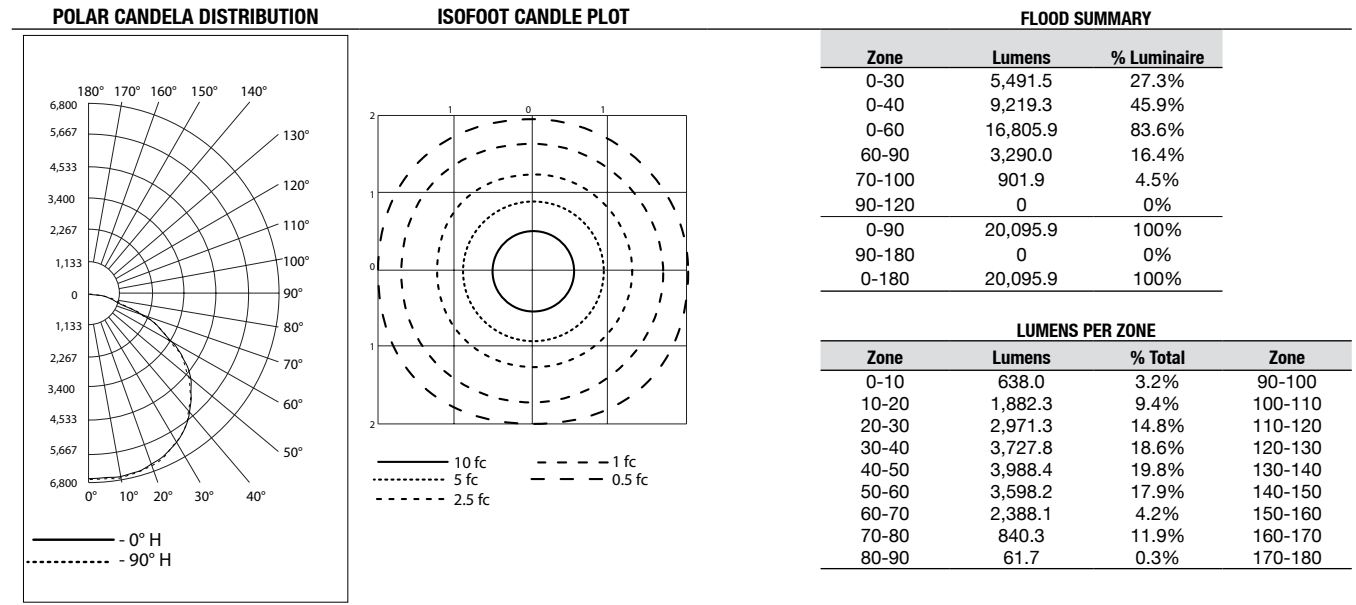
ATEX/IECEX:
 Zone 2 and 22
 IP66
 II 3GD
 IK10
 Ex ec IIC T5

Photometric Data – DATA SHOWN IS ABSOLUTE

Type V, Clear Glass

REPORT NUMBER: **BLLPL8CGMNB**

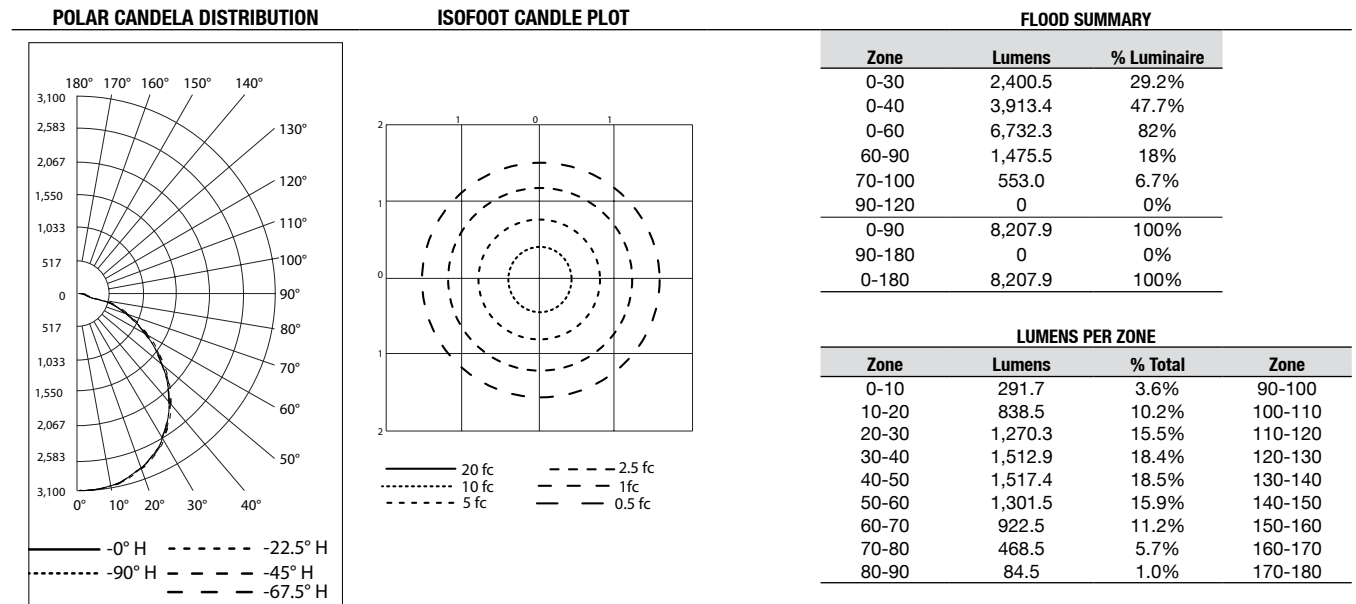
Luminaire Lumens 20,097



Type V, Frosted Glass

REPORT NUMBER: **BLLPL6CFMNB**

Luminaire Lumens 8,209



Baymaster™ LED Luminaire

High Bay for Hazardous Locations

NEC/CEC:
 cSAus
 Class I, Division 2, Group A, B, C, D
 Class I, Zone 2, Group IIC
 Class II, Division 1&2, Group E, F, G
 Class III

NEC/CEC:
 Zone 20 and 21 Group IIIC
 Zone 22 Group IIIB
 Simultaneous Exposure
 Marine Outside Type (Salt Water)
 for USA Only

NEC/CEC:
 Wet Locations
 Type 3R, 4 and 4X
 IP66/67

ATEX/IECEX:
 Zone 2 and 22
 IP66
 II 3GD
 IK10
 Ex ec IIC T5

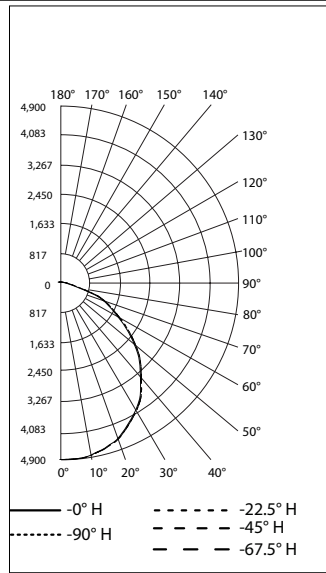
Photometric Data – DATA SHOWN IS ABSOLUTE

Type V, Frosted Glass

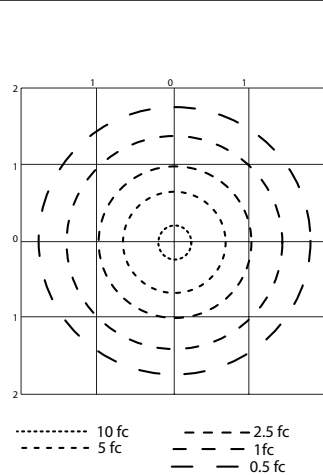
REPORT NUMBER: **BLLPL7CFMNB**

Luminaire Lumens 12,955

POLAR CANDELA DISTRIBUTION



ISOFOOT CANDLE PLOT



FLOOD SUMMARY

Zone	Lumens	% Luminaire
0-30	3,794.5	29.3%
0-40	6,181.5	47.7%
0-60	10,623.4	82%
60-90	2,330.5	18%
70-100	875.2	6.8%
90-120	0	0%
0-90	12,953.9	100%
90-180	0	0%
0-180	12,953.9	100%

LUMENS PER ZONE

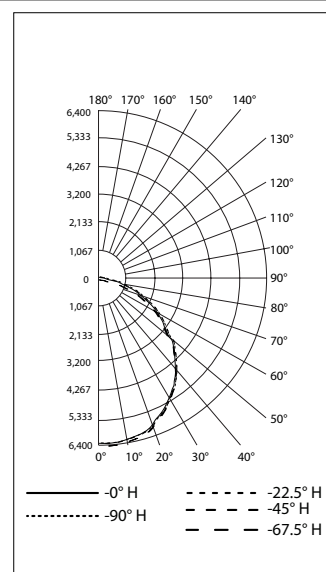
Zone	Lumens	% Total	Zone
0-10	461.3	3.6%	90-100
10-20	1,326.2	10.2%	100-110
20-30	2,007.0	15.5%	110-120
30-40	2,387.0	18.4%	120-130
40-50	2,392.1	18.5%	130-140
50-60	2,049.8	15.8%	140-150
60-70	1,455.3	11.2%	150-160
70-80	740.7	5.7%	160-170
80-90	134.5	1.0%	170-180

Type V, Clear Glass

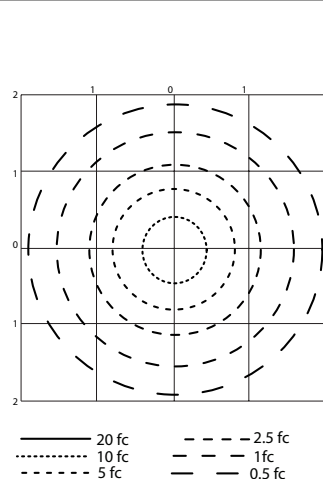
REPORT NUMBER: **BLLPL8CFMNB**

Luminaire Lumens 16,711

POLAR CANDELA DISTRIBUTION



ISOFOOT CANDLE PLOT



FLOOD SUMMARY

Zone	Lumens	% Luminaire
0-30	4,907.8	29.4%
0-40	7,989.9	47.8%
0-60	13,718.2	82.1%
60-90	2,991.4	17.9%
70-100	1,120.8	6.7%
90-120	0	0%
0-90	16,709.6	100%
90-180	0	0%
0-180	16,709.6	100%

LUMENS PER ZONE

Zone	Lumens	% Total	Zone
0-10	597.1	3.6%	90-100
10-20	1,715.9	10.3%	100-110
20-30	2,594.8	15.5%	110-120
30-40	3,082.1	18.4%	120-130
40-50	3,086.8	18.5%	130-140
50-60	2,641.5	15.8%	140-150
60-70	1,870.6	11.2%	150-160
70-80	949.8	5.7%	160-170
80-90	171.0	1.0%	170-180

LED/HIGH BAY- NEC/CEC ENCLOSED AND GASKETED

APPLETON™

Baymaster™ HL LED Luminaire

High Bay for Hazardous Locations

NEC/CEC:

cCSAus
Class I, Division 2, Group A, B, C, D
Class I, Zone 2, Group IIC
Class II, Division 1&2, Group E, F, G
Class III

NEC/CEC:

Zone 20 and 21 Group IIIC
Zone 22 Group IIIB
Simultaneous Exposure
Marine Outside Type (Salt Water)
for USA Only

NEC/CEC:

Wet Locations
Type 3R, 4 and 4X
IP66/67

ATEX/IECEX:

Zone 2 and 22
IP66
II 3GD
IK10
Ex ec IIC T5

Applications

- Enclosed and gasketed fixtures suitable for use in:
 - A wide range of industrial, chemical processing and other areas where flammable gases and vapors are present, for example;
 - Oil and Gas Refineries
 - Petrochemical Plants
 - Foundries
 - Drilling Rigs
 - Pulp and Paper Mills
 - Food and Beverage Processing Facilities
 - Loading Docks
 - Power Plants
 - Water and Wastewater Treatment Facilities
 - Other areas where corrosive, wet, dirty and tough environments are a problem.

Features

- Three lumen outputs provide up to 38,000 lumens.

Nominal Lumens ①	Wattage (W)	Efficacy (lpw)	HID Equivalent	Model Number
24,000	180	133	1000W	BHLL1/BHLPL1
30,000	225	133	1000-1500W	BHLL2/BHLPL2
38,000	310	123	1500W	BHLL3/BHLPL3

① Nominal lumen value for 5000K, detailed lumen information provided in tables.

- Choice of optics for optimal light distribution in a variety of applications; narrow, medium and wide distribution.
- Unique quick mount pendant system allows for easy prewiring without supporting the High Bay in place. Quick mount adapter hood includes one 3/4" NPT entry.
- Alternate mounting system allows for "Y" cable mount and easy wiring via a separate field wiring compartment with a screw terminal block (can accept UL/CSA 26-10AWG).
- Two 3/4" NPT entries provided. (Two close up plugs provided when quick mount pendant system is ordered).
- One 1/2" NPT close up plug provided on quickmount model for use with accessory drain assembly.
- Choice of color temperature (CCT); 5000K cool white or 3000K warm white.
- Rugged and compact housing with superior thermal design translates to long luminaire life.
- Ambient Temperature: -40 °C to +65 °C (-40 °F to +149 °F)
- Heavy duty, high temperature silicone rubber gaskets.
- Thermal shock and impact resistant clear or frosted glass lens.
- Choice of Input Voltages:
 - 120-277 Vac 50/60 Hz, 170-300 Vdc
 - 347-480 Vac 50/60 Hz
- Standard 6kV surge protection.
- Captive fasteners secure one piece lens.
- Field replaceable LED driver and lens cover.

Options

- Improved safety cable design with multiple retention points, purchase separately
- Guard available, purchase separately
- 10kV Surge Protection
- Y mount cable assembly, purchase separately
- Drain assembly, purchased separately



High Bay

Standard Materials

- Housing and lens door: copperfree (4/10 of 1% max.) aluminum
- Gaskets: silicone rubber
- Quick mount hood and body: copperfree (4/10 of 1% max.) aluminum
- Exterior hardware: stainless steel
- Close up plugs: (two 3/4", one 1/2") aluminum provided for quick mount, (one 3/4") aluminum provided otherwise
- Guard and safety cable: stainless steel

Standard Finishes

- Housing, lens cover, quick mount body and hood; baked gray epoxy powder coat finish, electrostatically applied for complete uniform protection

Related Products

- See Baymaster™ LED for Class I, Division 2 hazardous locations requiring lumen outputs of 9.5K, 15K and 19.5K
- See Industrial Baymaster™ LED for locations requiring lumen outputs of 9.5K, 15K and 19.5K
- See Industrial Baymaster™ HL LED for locations requiring higher lumen outputs of 24K, 30K and 38K

LED/HIGH BAY: NEC/CEC ENCLOSED AND GASKETED

APPLETON™

Baymaster™ HL LED Luminaire

High Bay for Hazardous Locations

NEC/CEC:

cCSAus
 Class I, Division 2, Group A, B, C, D
 Class I, Zone 2, Group IIC
 Class II, Division 1&2, Group E, F, G
 Class III

NEC/CEC:

Zone 20 and 21 Group IIIC
 Zone 22 Group IIIB
 Simultaneous Exposure
 Marine Outside Type (Salt Water)
 for USA Only

NEC/CEC:

Wet Locations
 Type 3R, 4 and 4X
 IP66/67

ATEX/IECEX:

Zone 2 and 22
 IP66
 II 3GD
 IK10
 Ex ec IIC T5

NEC/CEC Certifications and Compliances

- UL Standards:
 - UL 844 Hazardous Locations Luminaire and Luminaire Fittings
 - UL1598, Luminaires
 - UL1598A, Luminaires for Installation on Marine Vessels
 - UL 8750 LED Equipment for Use in Lighting Products
 - UL50/UL50E Enclosures for Electrical Equipment, Environmental Considerations
- CSA Standards:
 - C22.2 No. 137 Luminaires for Use in Hazardous Locations
 - C22.2 No. 250.0, Luminaires
 - C22.2 No. 250.13 Light Emitting Diode (LED) Equipment for use in Lighting Applications
 - C22.2 No. 60079-0 Explosive Atmospheres – Part 0
 - C22.2 No. 94.1 Enclosures for Electrical Equipment, Non-Environmental Considerations
- cCSAus: 164460, Certificate Number: 70073613

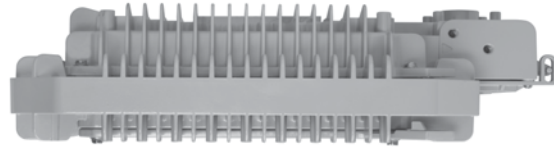
ATEX/IECEX Certifications and Compliances

- Certification Type: Baymaster LED
 - Gas: Zone 2
 - Conforming to ATEX 2014/34/EU: II 3 G
 - Type of Protection: Ex ec IIC Gc
 - Temperature Class: T5 to T3
 - Dust: Zone 22
 - Conforming to ATEX 2014/34/EU: II 3 D
 - Type of Protection: Ex tc IIIC Dc
 - Surface Temperature: +85 °C to +100 °C (+185 °F to +212 °F)
- Ambient Temperature: -40 °C up to +65 °C (-40 °F up to +268 °F)
- ATEX Certificate: SIRA 17ATEX3241
- IECEx Certificate: IECEx SIR 17.0079
- Index of Protection according EN/IEC 60529: IP66
- Impact Resistance (shock): IK10
- Photobiological Safety, IEC 62778 and IEC 62471: RG0

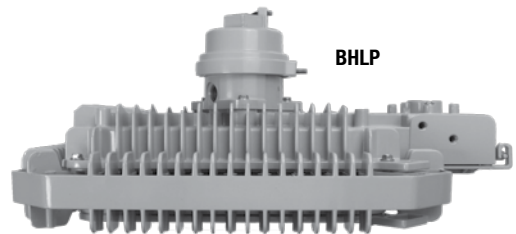
DesignLights™ Consortium (for the following models)

- All models

BHL



BHLP



LED/HIGH BAY- NEC/CEC ENCLOSED AND GASKETED

APPLETON™

Baymaster™ HL LED Luminaire

High Bay for Hazardous Locations

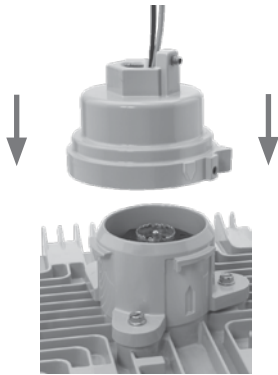
NEC/CEC:
 cCSAus
 Class I, Division 2, Group A, B, C, D
 Class I, Zone 2, Group IIC
 Class II, Division 1&2, Group E, F, G
 Class III

NEC/CEC:
 Zone 20 and 21 Group IIIC
 Zone 22 Group IIIB
 Simultaneous Exposure
 Marine Outside Type (Salt Water)
 for USA Only

NEC/CEC:
 Wet Locations
 Type 3R, 4 and 4X
 IP66/67

ATEX/IECEX:
 Zone 2 and 22
 IP66
 II 3GD
 IK10
 Ex ec IIC T5

Illustrated Features



Quick Mount Pendant System

Appleton's patented quick mount pendant system allows for easy prewiring of a hood for quick, one person fixture installation. Simply align the arrows, push up, and rotate the luminaire a quarter turn until it locks into place. Specify quick mount pendant with a "P" in the fifth digit of the part number.



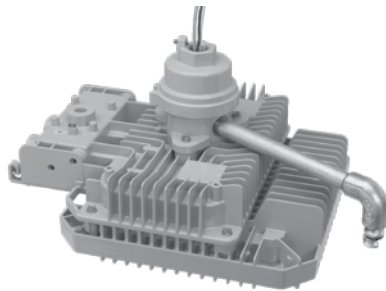
Cable Mount Option

The Baymaster High Bay can also be mounted with two Y style aircraft cables with spring clips, secured to eye bolts on the luminaire housing. Non quick mount models can be cable mounted and are wired through the 3/4" NPT entries in the wire box.



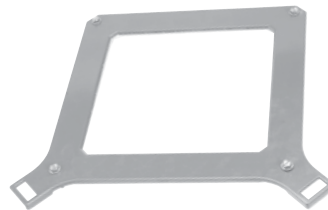
Driver Assembly

Replaceable drivers are waterproof (IP67) and offer standard 6kV surge protection and over temperature protection.



Optional Drain Assembly

Includes 9" long, 1/2" trade size conduit nipple, elbow and drain.



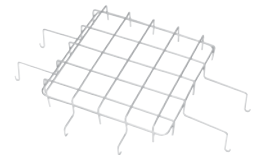
Replaceable Cover Assembly

The replaceable cover assembly is available with clear or frosted glass.



Optional Fusing *

Luminaire can be ordered with optional fusing. Fusing is not field installable.
 * Use of fuse voids marine rating.



Optional Wire Guard

Stainless steel wire guard can be used for additional protection.

LED/HIGH BAY: NEC/CEC ENCLOSED AND GASKETED

APPLETON™

Baymaster™ HL LED Luminaire

High Bay for Hazardous Locations

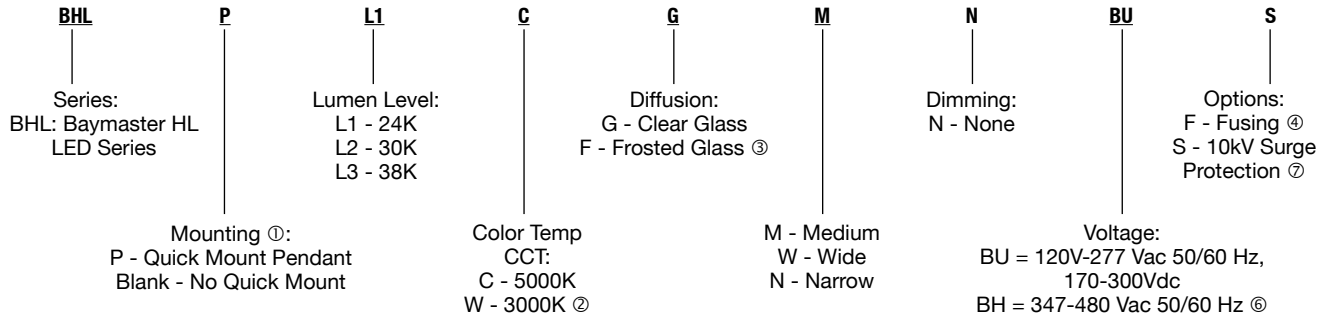
NEC/CEC:
 cCSAus
 Class I, Division 2, Group A, B, C, D
 Class I, Zone 2, Group IIC
 Class II, Division 1&2, Group E, F, G
 Class III

NEC/CEC:
 Zone 20 and 21 Group IIIC
 Zone 22 Group IIIB
 Simultaneous Exposure
 Marine Outside Type (Salt Water)
 for USA Only

NEC/CEC:
 Wet Locations
 Type 3R, 4 and 4X
 IP66/67

ATEX/IECEX:
 Zone 2 and 22
 IP66
 II 3GD
 IK10
 Ex ec IIC T5

Order using catalog numbering guides below or select catalog number from tables on following pages.



Lumen Output Tables ⑤:

Lumen Output for Clear Glass Lens			
	BHLL1/BHLPL1	BHLL2/BHLPL2	BHLL3/BHLPL3
Type V Medium (Non Optic), 5000K CCT, CRI 70	24,400	30,400	37,600
Type V Wide 3000K CCT, CRI 80	18,700	22,300	28,900
Type V Wide 5000K CCT, CRI 70	20,700	25,900	33,400
Type V Narrow 3000K CCT, CRI 80	21,600	25,800	33,300
Type V Narrow 5000K CCT, CRI 70	24,500	30,400	39,000

Lumen Output for Frosted Glass Lens			
	BHLL1/BHLPL1	BHLL2/BHLPL2	BHLL3/BHLPL3
Type V (Non Optic), 5000K CCT, CRI 70	20,800	26,000	32,100

① Quick mount pendant includes pre wired, factory installed, quick mount pendant body and hood. No quick mount models are wired through the 3/4" NPT entries and a provided screw terminal block in the wiring compartment.
 ② 3000K CCT (Warm) is only available with Type V Wide or Type V Narrow light patterns
 ③ Frosted Glass is only available with Type V Medium light pattern
 ④ Use of fuse voids Marine rating. Fusing available for NEC/CEC only.
 ⑤ All lumen values are typical (tolerance +/-10%).
 ⑥ BH voltage available for NEC/CEC only.
 ⑦ 10 KV Surge Protection available for NEC/CEC only.

Baymaster™ HL LED Luminaire

High Bay for Hazardous Locations

NEC/CEC:

cCSAus
Class I, Division 2, Group A, B, C, D
Class I, Zone 2, Group IIC
Class II, Division 1&2, Group E, F, G
Class III

NEC/CEC:

Zone 20 and 21 Group IIIC
Zone 22 Group IIIB
Simultaneous Exposure
Marine Outside Type (Salt Water)
for USA Only

NEC/CEC:

Wet Locations
Type 3R, 4 and 4X
IP66/67

ATEX/IECEX:

Zone 2 and 22
IP66
II 3GD
IK10
Ex ec IIC T5

Electrical Ratings ①

Model Number	Voltage Suffix	Voltage (V)	Input Power (Watts)	Input Current (Amps)	Power Factor (PF)	Total Harmonic Distortion (THD)
BHLL1 BHLPL1	BU	120 Vac	180	1.52	>.9	<20%
		277 Vac	176	0.67		
		170 Vdc	172	1.02		
		300 Vdc	170	0.57		
BHLL2 BHLPL2	BH	347 Vac	179	0.52	>.9	<20%
		480 Vac	179	0.39		
		120 Vac	231	1.94		
		277 Vac	231	0.88		
BHLL3 BHLPL3	BU	170 Vdc	220	1.30	>.9	<20%
		300 Vdc	217	0.72		
		347 Vac	219	0.64		
		480 Vac	219	0.47		
BHLL3 BHLPL3	BH	120 Vac	317	2.67	>.9	<20%
		277 Vac	303	1.15		
		170 Vdc	305	1.80		
		300 Vdc	298	0.99		
BHLL3 BHLPL3	BH	347 Vac	299	0.87	>.9	<20%
		480 Vac	298	0.63		

Technical Data

Line Voltage	Max Ambient Temperature °C (°F)	Min Supply Wire °C (°F)	Class I, Division 2 Groups A, B, C & D	Class I, Zone 2, Group IIC	Class II, Division 1, Groups E, F & G	Zone 20, Group IIIC	Class I, Division 2 & Class II, Division 1	Model Number
120-277 Vac/ 170-300Vdc	40 (104)	90 (194)	T4A	T4	T6	T6	T4A	BHLL1/BHLPL1
	55 (131)		T4A	T4	T6	T6	T4A	
	65 (149)		T4	T4	T5	T5	T4	
347-480 Vac	40 (104)	90 (194)	T4A	T4	T6	T6	T4A	
	55 (131)		T4A	T4	T6	T6	T4A	
	65 (149)		T4	T4	T5	T5	T4	
120-277 Vac/ 170-300Vdc	40 (104)	90 (194)	T4	T4	T6	T6	T4	BHLL2/BHLPL2
	55 (131)		T4	T4	T5	T5	T4	
	65 (149)		T3C	T3	T5	T5	T3C	
347-480 Vac	40 (104)	90 (194)	T4	T4	T6	T6	T4	
	55 (131)		T4	T4	T5	T5	T4	
	65 (149)		T3C	T3	T5	T5	T3C	
120-277 Vac/ 170-300Vdc	40 (104)	90 (194)	T3C	T3	T6	T6	T3C	BHLL3/BHLPL3
	55 (131)		T3C	T3	T5	T5	T3C	
	65 (149)		-	-	-	-	-	
347-480 Vac	40 (104)	90 (194)	T3C	T3	T6	T6	T3C	
	55 (131)		T3C	T3	T5	T5	T3C	
	65 (149)		-	-	-	-	-	

Ambient Temperature Range:

- BHLL1, BHLPL1: -40 °C to +65 °C (-40 °C to +149 °F)
- BHLL2, BHLPL2: -40 °C to +65 °C (-40 °C to +149 °F)
- BHLL3, BHLPL3: -40 °C to +55 °C (-40 °C to +131 °F)

Surge Protection: Integral 6kV surge protection. Option for up to 10kV surge protection. (cCSAus only).

① All ratings are typical.

Baymaster™ HL LED Luminaire

High Bay for Hazardous Locations

NEC/CEC:
 cCSAus
 Class I, Division 2, Group A, B, C, D
 Class I, Zone 2, Group IIC
 Class II, Division 1&2, Group E, F, G
 Class III

NEC/CEC:
 Zone 20 and 21 Group IIIC
 Zone 22 Group IIIB
 Simultaneous Exposure
 Marine Outside Type (Salt Water)
 for USA Only

NEC/CEC:
 Wet Locations
 Type 3R, 4 and 4X
 IP66/67

ATEX/IECEX:
 Zone 2 and 22
 IP66
 II 3GD
 IK10
 Ex ec IIC T5

CCT	Lumen Output	Wattage	Efficacy (lm/W)	Optical Pattern	Catalog Number ①
Clear Glass With Quick Mount Pendant System					
120-277 Vac/170-300 Vdc					
5000K (cool white)	24400	177	138	Type V Medium (120° beam angle)	BHLPL1CGMNBU
5000K (cool white)	20700	177	117	Type V Wide (140° beam angle)	BHLPL1CGWNB
5000K (cool white)	24500	177	138	Type V Narrow (80° beam angle)	BHLPL1CGNNBU
3000K (warm white)	18700	177	106	Type V Wide (140° beam angle)	BHLPL1WGWNB
3000K (warm white)	21600	177	122	Type V Narrow (80° beam angle)	BHLPL1WGNNB
5000K (cool white)	30400	227	134	Type V Medium (120° beam angle)	BHLPL2CGMNBU
5000K (cool white)	25900	227	114	Type V Wide (140° beam angle)	BHLPL2CGWNB
5000K (cool white)	30400	227	134	Type V Narrow (80° beam angle)	BHLPL2CGNNBU
3000K (warm white)	22300	215	104	Type V Wide (140° beam angle)	BHLPL2WGWNB
3000K (warm white)	25800	215	120	Type V Narrow (80° beam angle)	BHLPL2WGNNB
5000K (cool white)	37600	308	122	Type V Medium (120° beam angle)	BHLPL3CGMNBU
5000K (cool white)	33400	308	108	Type V Wide (140° beam angle)	BHLPL3CGWNB
5000K (cool white)	39000	308	127	Type V Narrow (80° beam angle)	BHLPL3CGNNBU
3000K (warm white)	28900	295	98	Type V Wide (140° beam angle)	BHLPL3WGWNB
3000K (warm white)	33300	295	113	Type V Narrow (80° beam angle)	BHLPL3WGNNB
347-480 Vac					
5000K (cool white)	24400	177	138	Type V Medium (120° beam angle)	BHLPL1CGMNBH
5000K (cool white)	20700	177	117	Type V Wide (140° beam angle)	BHLPL1CGWNBH
5000K (cool white)	24500	177	138	Type V Narrow (80° beam angle)	BHLPL1CGNNBH
3000K (warm white)	18700	177	106	Type V Wide (140° beam angle)	BHLPL1WGWNBH
3000K (warm white)	21600	177	122	Type V Narrow (80° beam angle)	BHLPL1WGNNBH
5000K (cool white)	30400	227	134	Type V Medium (120° beam angle)	BHLPL2CGMNBH
5000K (cool white)	25900	227	114	Type V Wide (140° beam angle)	BHLPL2CGWNBH
5000K (cool white)	30400	227	134	Type V Narrow (80° beam angle)	BHLPL2CGNNBH
3000K (warm white)	22300	215	104	Type V Wide (140° beam angle)	BHLPL2WGWNBH
3000K (warm white)	25800	215	120	Type V Narrow (80° beam angle)	BHLPL2WGNNBH
5000K (cool white)	37600	308	122	Type V Medium (120° beam angle)	BHLPL3CGMNBH
5000K (cool white)	33400	308	108	Type V Wide (140° beam angle)	BHLPL3CGWNBH
5000K (cool white)	39000	308	127	Type V Narrow (80° beam angle)	BHLPL3CGNNBH
3000K (warm white)	28900	295	98	Type V Wide (140° beam angle)	BHLPL3WGWNBH
3000K (warm white)	33300	295	113	Type V Narrow (80° beam angle)	BHLPL3WGNNBH
Frosted Glass With Quick Mount Pendant System					
120-277 Vac/170-300 Vdc					
5000K (cool white)	20800	177	118	Type V Medium (120° beam angle)	BHLPL1CFMNBU
5000K (cool white)	26000	227	115	Type V Medium (120° beam angle)	BHLPL2CFMNBU
5000K (cool white)	32100	305	105	Type V Medium (120° beam angle)	BHLPL3CFMNBU
347-480 Vac					
5000K (cool white)	20800	177	118	Type V Medium (120° beam angle)	BHLPL1CFMNBH
5000K (cool white)	26000	227	115	Type V Medium (120° beam angle)	BHLPL2CFMNBH
5000K (cool white)	32100	305	105	Type V Medium (120° beam angle)	BHLPL3CFMNBH



LED/HIGH BAY- NEC/CEC ENCLOSED AND GASKETED

APPLETON™

① For Fusing option, add suffix **F** to end of part number, example **BHLPL2CGMNBUF**.
 For 10KV surge protection, add suffix **S** to end of part number, example **BHLPL1CGMNBUS**.
 For both Fusing and 10KV surge, add suffix **FS** to end of part number, example **BHLPL1CGMNBUFS**.

Baymaster™ HL LED Luminaire

High Bay for Hazardous Locations

NEC/CEC:

cSAUs
Class I, Division 2, Group A, B, C, D
Class I, Zone 2, Group IIC
Class II, Division 1&2, Group E, F, G
Class III

NEC/CEC:

Zone 20 and 21 Group IIIC
Zone 22 Group IIIB
Simultaneous Exposure
Marine Outside Type (Salt Water)
for USA Only

NEC/CEC:

Wet Locations
Type 3R, 4 and 4X
IP66/67

ATEX/IECEX:

Zone 2 and 22
IP66
II 3GD
IK10
Ex ec IIC T5

CCT	Lumen Output	Wattage	Efficacy (lm/W)	Optical Pattern	Catalog Number ①
Clear Glass Without Quick Mount Pendant System					
120-277 Vac/170-300 Vdc					
5000K (cool white)	24400	177	138	Type V Medium (120° beam angle)	BHLL1CGMNBU
5000K (cool white)	20700	177	117	Type V Wide (140° beam angle)	BHLL1CGWNB
5000K (cool white)	24500	177	138	Type V Narrow (80° beam angle)	BHLL1CGNNBU
3000K (warm white)	18700	177	106	Type V Wide (140° beam angle)	BHLL1WGNB
3000K (warm white)	21600	177	122	Type V Narrow (80° beam angle)	BHLL1WGNNB
5000K (cool white)	30400	227	134	Type V Medium (120° beam angle)	BHLL2CGMNBU
5000K (cool white)	25900	227	114	Type V Wide (140° beam angle)	BHLL2CGWNB
5000K (cool white)	30400	227	134	Type V Narrow (80° beam angle)	BHLL2CGNNBU
3000K (warm white)	22300	215	104	Type V Wide (140° beam angle)	BHLL2WGNB
3000K (warm white)	25800	215	120	Type V Narrow (80° beam angle)	BHLL2WGNNB
5000K (cool white)	37600	308	122	Type V Medium (120° beam angle)	BHLL3CGMNBU
5000K (cool white)	33400	308	108	Type V Wide (140° beam angle)	BHLL3CGWNB
5000K (cool white)	39000	308	127	Type V Narrow (80° beam angle)	BHLL3CGNNBU
3000K (warm white)	28900	295	98	Type V Wide (140° beam angle)	BHLL3WGNB
3000K (warm white)	33300	295	113	Type V Narrow (80° beam angle)	BHLL3WGNNB
347-480 Vac					
5000K (cool white)	24400	177	138	Type V Medium (120° beam angle)	BHLL1CGMNBH
5000K (cool white)	20700	177	117	Type V Wide (140° beam angle)	BHLL1CGWNBH
5000K (cool white)	24500	177	138	Type V Narrow (80° beam angle)	BHLL1CGNNBH
3000K (warm white)	18700	177	106	Type V Wide (140° beam angle)	BHLL1WGNNBH
3000K (warm white)	21600	177	122	Type V Narrow (80° beam angle)	BHLL1WGNNBH
5000K (cool white)	30400	227	134	Type V Medium (120° beam angle)	BHLL2CGMNBH
5000K (cool white)	25900	227	114	Type V Wide (140° beam angle)	BHLL2CGWNBH
5000K (cool white)	30400	227	134	Type V Narrow (80° beam angle)	BHLL2CGNNBH
3000K (warm white)	22300	215	104	Type V Wide (140° beam angle)	BHLL2WGNNBH
3000K (warm white)	25800	215	120	Type V Narrow (80° beam angle)	BHLL2WGNNBH
5000K (cool white)	37600	308	122	Type V Medium (120° beam angle)	BHLL3CGMNBH
5000K (cool white)	33400	308	108	Type V Wide (140° beam angle)	BHLL3CGWNBH
5000K (cool white)	39000	308	127	Type V Narrow (80° beam angle)	BHLL3CGNNBH
3000K (warm white)	28900	295	98	Type V Wide (140° beam angle)	BHLL3WGNNBH
3000K (warm white)	33300	295	113	Type V Narrow (80° beam angle)	BHLL3WGNNBH
Frosted Glass Without Quick Mount Pendant System					
120-277 Vac/170-300 Vdc					
5000K (cool white)	20800	177	118	Type V Medium (120° beam angle)	BHLL1CFMNBU
5000K (cool white)	26000	227	115	Type V Medium (120° beam angle)	BHLL2CFMNBU
5000K (cool white)	32100	305	105	Type V Medium (120° beam angle)	BHLL3CFMNBU
347-480 Vac					
5000K (cool white)	20800	177	118	Type V Medium (120° beam angle)	BHLL1CFMNBH
5000K (cool white)	26000	227	115	Type V Medium (120° beam angle)	BHLL2CFMNBH
5000K (cool white)	32100	305	105	Type V Medium (120° beam angle)	BHLL3CFMNBH



LED/HIGH BAY: NEC/CEC ENCLOSED AND GASKETED

APPLETON

① For Fusing option, add suffix **F** to end of part number, example BHLPL2CGMNBUF.
For 10KV surge protection, add suffix **S** to end of part number, example BHLPL1CGMNBUS.
For both Fusing and 10KV surge, add suffix **FS** to end of part number, example BHLPL1CGMNBUSFS.

Baymaster™ HL LED Luminaire

High Bay for Hazardous Locations

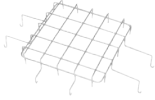




NEC/CEC:
 cSAus
 Class I, Division 2, Group A, B, C, D
 Class I, Zone 2, Group IIC
 Class II, Division 1&2, Group E, F, G
 Class III

NEC/CEC:
 Zone 20 and 21 Group IIIC
 Zone 22 Group IIIB
 Simultaneous Exposure
 Marine Outside Type (Salt Water)
 for USA Only

NEC/CEC:
 Wet Locations
 Type 3R, 4 and 4X
 IP66/67

ATEX/IECEX:
 Zone 2 and 22
 IP66
 II 3GD
 IK10
 Ex ec IIC T5

Accessories and Replacement Parts

	Description	Catalog Number
Wire Guard		
	Stainless steel.	LHGUARD
Safety Cable		
	Stainless steel.	LEDSC
Drain		
	9" long, 1/2" trade size drain assembly for use with quick mount pendant hood.	LEDDR9
Y Mounting Cable		
	1.5 M (5 ft.) cable mount - stainless steel. Includes two (5 ft.) Y cables with spring clips and four eye bolts.	LEDC5
Safety Support Hooks		
	3/4" malleable iron hook and loop	EFHM-75

LED/HIGH BAY- NEC/CEC ENCLOSED AND GASKETED

APPLETON™

Baymaster™ HL LED Luminaire

High Bay for Hazardous Locations

NEC/CEC:
 cCSAus
 Class I, Division 2, Group A, B, C, D
 Class I, Zone 2, Group IIC
 Class II, Division 1&2, Group E, F, G
 Class III

NEC/CEC:
 Zone 20 and 21 Group IIIC
 Zone 22 Group IIIB
 Simultaneous Exposure
 Marine Outside Type (Salt Water)
 for USA Only

NEC/CEC:
 Wet Locations
 Type 3R, 4 and 4X
 IP66/67

ATEX/IECEX:
 Zone 2 and 22
 IP66
 II 3GD
 IK10
 Ex ec IIC T5

Description	Catalog Number
-------------	----------------

Replacement Covers



Clear Replacement Cover

BHLCLEAR

Frosted Replacement Cover

BHLFROST

Voltage	Driver Wattage	Constant Current Setting	Luminaire Model	CCT	Catalog Number
---------	----------------	--------------------------	-----------------	-----	----------------

Replacement Drivers



BU

150 watt

915mA

BHLL3C/
BHLPL3C

5000K

APMS150C105UD91

BH

APMS150C105HD91

BU

150 watt

680mA

BHLL2C/
BHLPL2C

5000K

APMS150C105U68

BH

APMS150C105HD68

BU

150 watt

890mA

BHLL3W/
BHLPL3W

3000K

APMS150C105UD89

BH

APMS150C105HD89



BU

150 watt

650mA

BHLL2W/
BHLPL2W

3000K

APMS150C105UD65

BH

APMS150C105HD65

BU

100 watt

530mA

BHLL1C/
BHLPL1C,
BHLL1W/
BHLPL1W

5000K and
3000K

APMS100C105UD53

BH

APMS100C105HD53

Baymaster Accessory Weights

Description	Weight in kg (lbs)
BHLL1/BHLPL1, BHLL2/BHLPL2, BHLL3/BHLPL3 Luminaires	16.1 (35.4)
Quick Mount Hood	0.6 (1.4)
Guard	0.2 (0.4)
Safety Cable	0.2 (0.4)
Drain	0.5 (1.2)
Y Cable Mount	0.5 (1.2)

LED/HIGH BAY: NEC/CEC ENCLOSED AND GASKETED

APPLETON™

Baymaster™ HL LED Luminaire

High Bay for Hazardous Locations

NEC/CEC:
 cSAUs
 Class I, Division 2, Group A, B, C, D
 Class I, Zone 2, Group IIC
 Class II, Division 1&2, Group E, F, G
 Class III

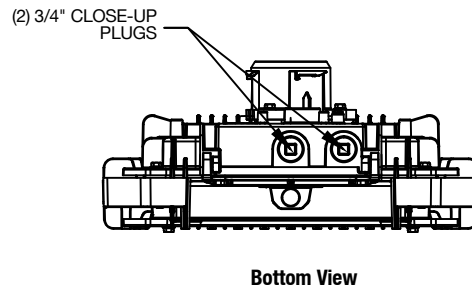
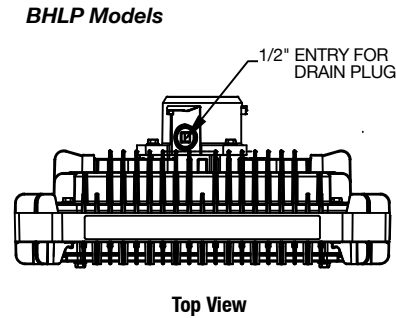
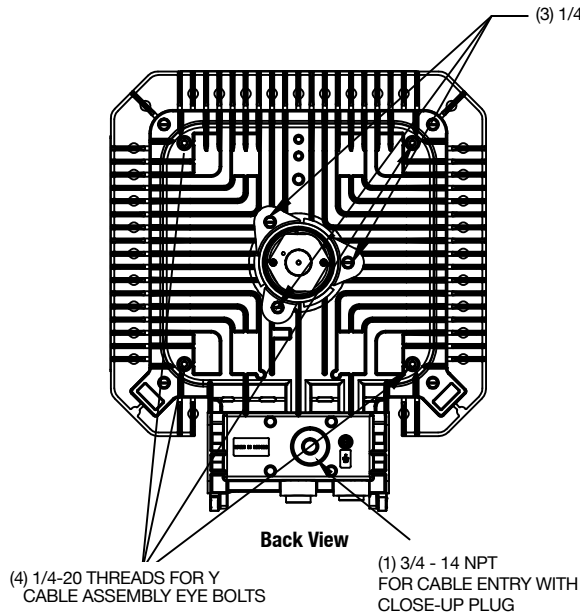
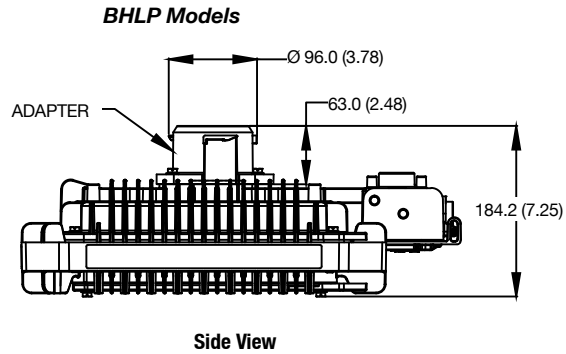
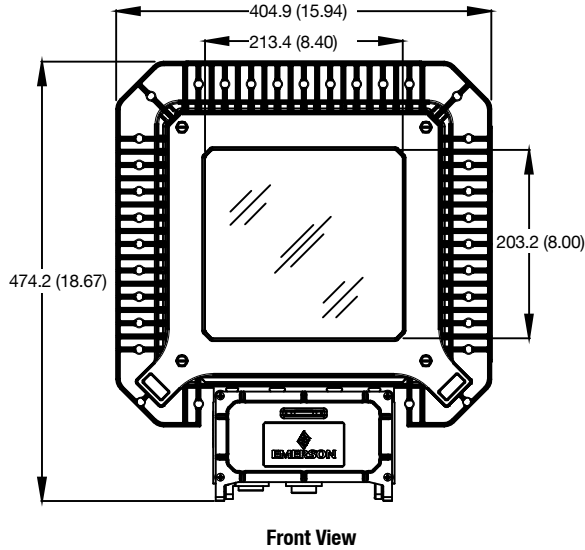
NEC/CEC:
 Zone 20 and 21 Group IIIC
 Zone 22 Group IIIB
 Simultaneous Exposure
 Marine Outside Type (Salt Water)
 for USA Only

NEC/CEC:
 Wet Locations
 Type 3R, 4 and 4X
 IP66/67

ATEX/IECEX:
 Zone 2 and 22
 IP66
 II 3GD
 IK10
 Ex ec IIC T5

Dimensions in Millimeters (Inches)

High Bay – With Quick Mount Pendant System



LED/HIGH BAY- NEC/CEC ENCLOSED AND GASKETED

APPLETON™

Baymaster™ HL LED Luminaire

High Bay for Hazardous Locations

NEC/CEC:

cSAUs
 Class I, Division 2, Group A, B, C, D
 Class I, Zone 2, Group IIC
 Class II, Division 1&2, Group E, F, G
 Class III

NEC/CEC:

Zone 20 and 21 Group IIIC
 Zone 22 Group IIIB
 Simultaneous Exposure
 Marine Outside Type (Salt Water)
 for USA Only

NEC/CEC:

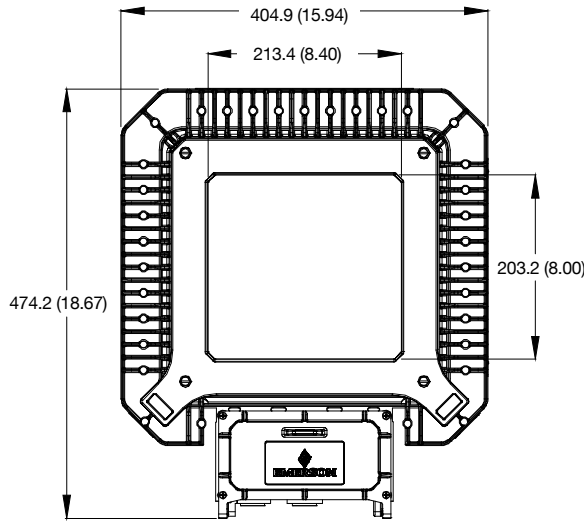
Wet Locations
 Type 3R, 4 and 4X
 IP66/67

ATEX/IECEX:

Zone 2 and 22
 IP66
 II 3GD
 IK10
 Ex ec IIC T5

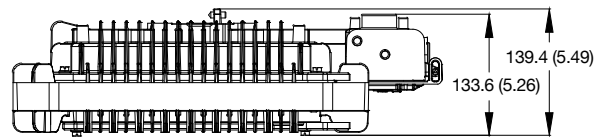
Dimensions in Millimeters (Inches)

High Bay – No Mount

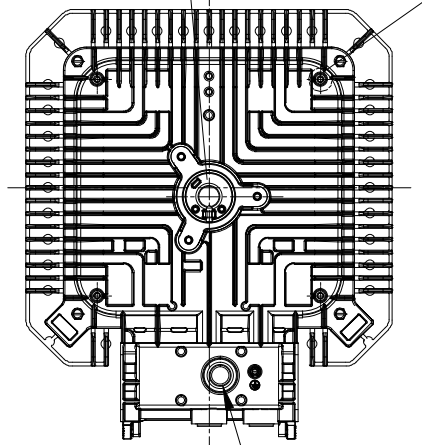
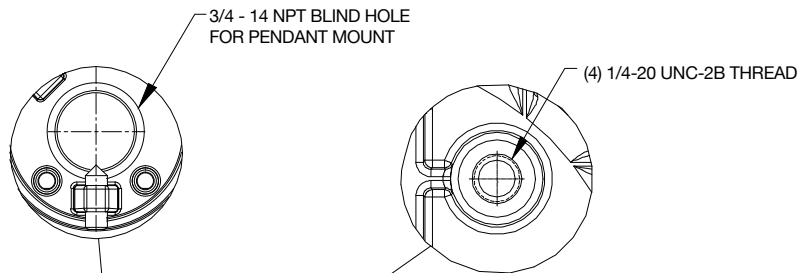


Front View

BHL Models



Side View

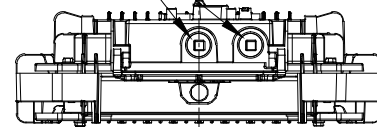


Back View

(1) 3/4 - 14 NPT
 FOR CABLE ENTRY

BHL Models

(2) 3/4" CLOSE-UP PLUGS



Bottom View

LED/HIGH BAY: NEC/CEC ENCLOSED AND GASKETED

APPLETON

Baymaster™ HL LED Luminaire

High Bay for Hazardous Locations

NEC/CEC:
 cCSAus
 Class I, Division 2, Group A, B, C, D
 Class I, Zone 2, Group IIC
 Class II, Division 1&2, Group E, F, G
 Class III

NEC/CEC:
 Zone 20 and 21 Group IIIC
 Zone 22 Group IIIB
 Simultaneous Exposure
 Marine Outside Type (Salt Water)
 for USA Only

NEC/CEC:
 Wet Locations
 Type 3R, 4 and 4X
 IP66/67

ATEX/IECEX:
 Zone 2 and 22
 IP66
 II 3GD
 IK10
 Ex ec IIC T5

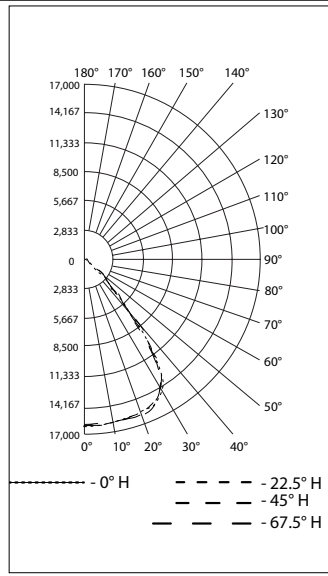
Photometric Data – DATA SHOWN IS ABSOLUTE

Type V Narrow, Clear Glass 5000K CCT

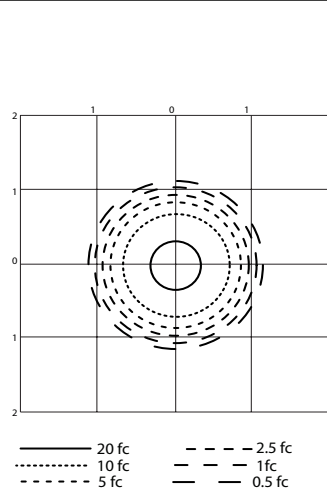
REPORT NUMBER: **BHLPL1CGNNBU**

Luminaire Lumens 24,459

POLAR CANDELA DISTRIBUTION



ISOFOOT CANDLE PLOT



ZONAL LUMEN SUMMARY

Zone	Lumens	% Luminaire
0-30	13,267.9	54.3%
0-40	20,732.9	84.8%
0-60	23,891.8	97.7%
60-90	561.6	2.3%
70-100	242.1	1%
90-120	0	0%
0-90	24,453.4	100%
90-180	0	0%
0-180	24,453.4	100%

LUMENS PER ZONE

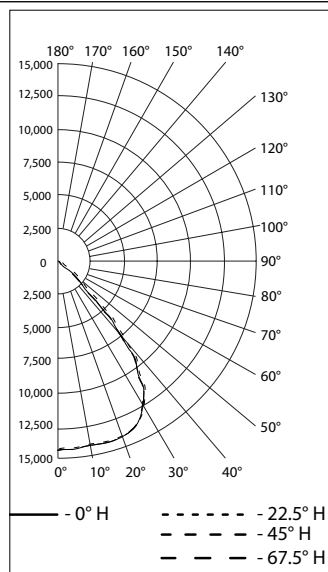
Zone	Lumens	% Total	Zone
0-10	1,538.5	6.3%	90 -100
10-20	4,553.8	18.6%	100 -110
20-30	7,175.6	29.3%	110 -120
30-40	7,465.0	30.5%	120 -130
40-50	2,717.0	11.1%	130 -140
50-60	441.9	1.8%	140 -150
60-70	319.5	1.3%	150 -160
70-80	215.3	0.9%	160 -170
80-90	26.8	0.1%	170 -180

Type V Narrow, Clear Glass 3000K CCT

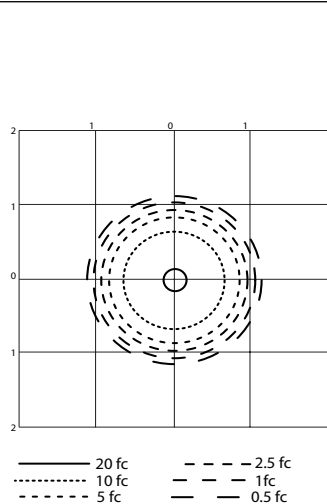
REPORT NUMBER: **BHLPL1WGNNU**

Luminaire Lumens 21,648

POLAR CANDELA DISTRIBUTION



ISOFOOT CANDLE PLOT



ZONAL LUMEN SUMMARY

Zone	Lumens	% Luminaire
0-30	11,658.8	53.9%
0-40	18,259.6	84.4%
0-60	21,173.3	97.8%
60-90	469.0	2.2%
70-100	195.8	0.9%
90-120	0	0%
0-90	21,642.2	100%
90-180	0	0%
0-180	21,642.2	100%

LUMENS PER ZONE

Zone	Lumens	% Total	Zone
0-10	1,538.5	6.3%	90-100
10-20	4,553.8	18.6%	100-110
20-30	7,175.6	29.3%	110-120
30-40	7,465.0	30.5%	120-130
40-50	2,717.0	11.1%	130-140
50-60	441.9	1.8%	140-150
60-70	319.5	1.3%	150-160
70-80	215.3	0.9%	160-170
80-90	26.8	0.1%	170-180

LED/HIGH BAY: NEC/CEC ENCLOSED AND GASKETED

APPLETON™

Baymaster™ HL LED Luminaire

High Bay for Hazardous Locations

NEC/CEC:

cCSAus
 Class I, Division 2, Group A, B, C, D
 Class I, Zone 2, Group IIC
 Class II, Division 1&2, Group E, F, G
 Class III

NEC/CEC:

Zone 20 and 21 Group IIC
 Zone 22 Group IIIB
 Simultaneous Exposure
 Marine Outside Type (Salt Water)
 for USA Only

NEC/CEC:

Wet Locations
 Type 3R, 4 and 4X
 IP66/67

ATEX/IECEX:

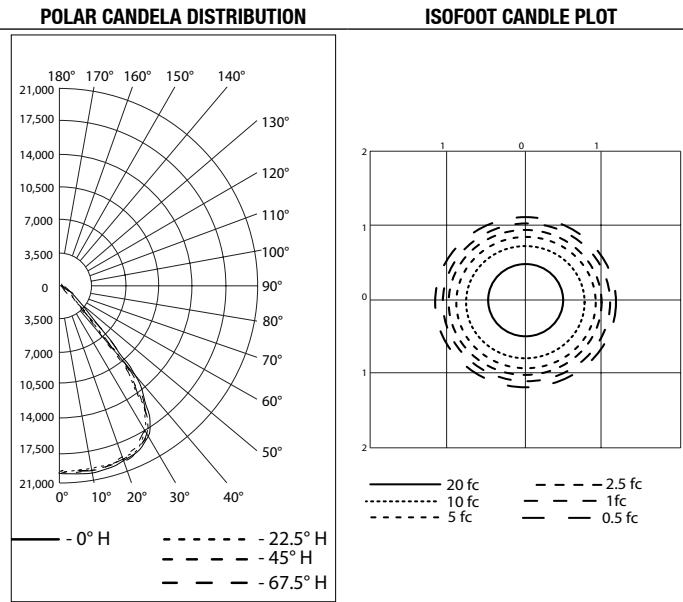
Zone 2 and 22
 IP66
 II 3GD
 IK10
 Ex ec IIC T5

Photometric Data — DATA SHOWN IS ABSOLUTE

Type V Narrow, Clear Glass 5000K CCT

REPORT NUMBER: BHLPL2CGNNBU

Luminaire Lumens 30,396



ZONAL LUMEN SUMMARY

Zone	Lumens	% Luminaire
0-30	16,453.1	54.1%
0-40	25,742.1	84.7%
0-60	29,699.7	97.7%
60-90	688.8	2.3%
70-100	296.7	1%
90-120	0	0%
0-90	30,388.4	100%
90-180	0	0%
0-180	30,388.4	100%

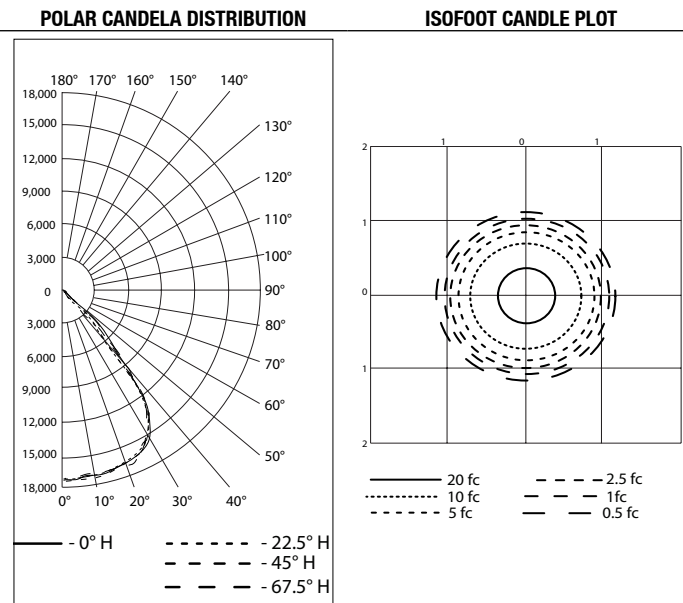
LUMENS PER ZONE

Zone	Lumens	% Total	Zone
0-10	1,909.5	6.3%	90-100
10-20	5,644.4	18.6%	100-110
20-30	8,899.2	29.3%	110-120
30-40	9,289.1	30.6%	120-130
40-50	3,411.2	11.2%	130-140
50-60	546.3	1.8%	140-150
60-70	392.0	1.3%	150-160
70-80	263.9	0.9%	160-170
80-90	32.9	0.1%	170-180

Type V Narrow, Clear Glass 3000K CCT

REPORT NUMBER: BHLPL2WGNBNU

Luminaire Lumens 25,785



ZONAL LUMEN SUMMARY

Zone	Lumens	% Luminaire
0-30	13,938.3	54.1%
0-40	21,797.3	84.6%
0-60	25,219.8	97.8%
60-90	559.0	2.2%
70-100	234.4	0.9%
90-120	0	0%
0-90	25,778.8	100%
90-180	0	0%
0-180	25,778.8	100%

LUMENS PER ZONE

Zone	Lumens	% Total	Zone
0-10	1,633.4	6.3%	90-100
10-20	4,795.3	18.6%	100-110
20-30	7,509.5	29.1%	110-120
30-40	7,859.0	30.5%	120-130
40-50	2,974.1	11.5%	130-140
50-60	448.4	1.7%	140-150
60-70	324.5	1.3%	150-160
70-80	208.1	0.8%	160-170
80-90	26.3	0.1%	170-180

Baymaster™ HL LED Luminaire

High Bay for Hazardous Locations

NEC/CEC:
 cCSAus
 Class I, Division 2, Group A, B, C, D
 Class I, Zone 2, Group IIC
 Class II, Division 1&2, Group E, F, G
 Class III

NEC/CEC:
 Zone 20 and 21 Group IIIC
 Zone 22 Group IIIB
 Simultaneous Exposure
 Marine Outside Type (Salt Water)
 for USA Only

NEC/CEC:
 Wet Locations
 Type 3R, 4 and 4X
 IP66/67

ATEX/IECEX:
 Zone 2 and 22
 IP66
 II 3GD
 IK10
 Ex ec IIC T5

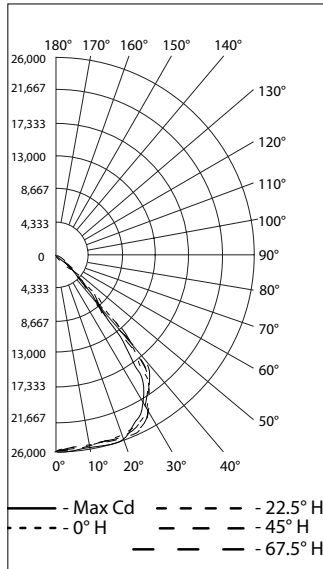
Photometric Data – DATA SHOWN IS ABSOLUTE

Type V Narrow, Clear Glass 5000K CCT

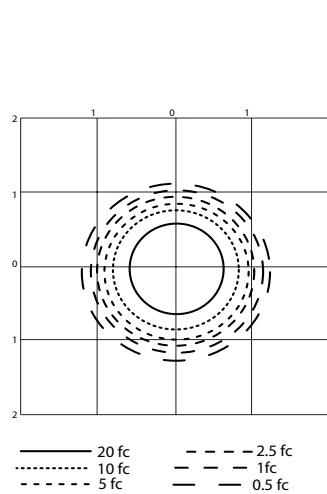
REPORT NUMBER: **BHLPL3CGNNBU**

Luminaire Lumens 39,041

POLAR CANDELA DISTRIBUTION



ISOFOOT CANDLE PLOT



FLOOD SUMMARY

Zone	Lumens	% Luminaire
0-30	21,202.1	54.3%
0-40	33,033.7	84.6%
0-60	38,116.4	97.7%
60-90	915.1	2.3%
70-100	393.2	1%
90-120	0	0%
0-90	39,031.5	100%
90-180	0	0%
0-180	39,031.5	100%

LUMENS PER ZONE

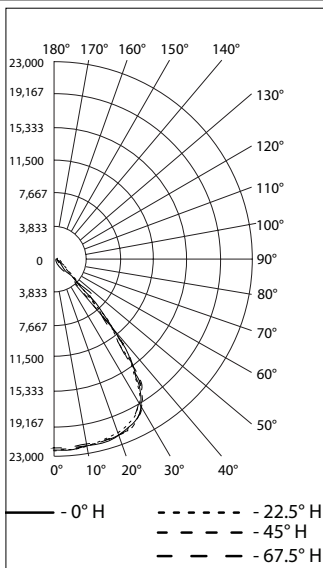
Zone	Lumens	% Total	Zone
0-10	2,460.1	6.3%	90-100
10-20	7,287.2	18.7%	100-110
20-30	11,454.8	29.3%	110-120
30-40	11,831.6	30.3%	120-130
40-50	4,348.6	11.1%	130-140
50-60	734.2	1.9%	140-150
60-70	521.9	1.3%	150-160
70-80	347.9	0.9%	160-170
80-90	45.3	0.1%	170-180

Type V Narrow, Clear Glass 3000K CCT

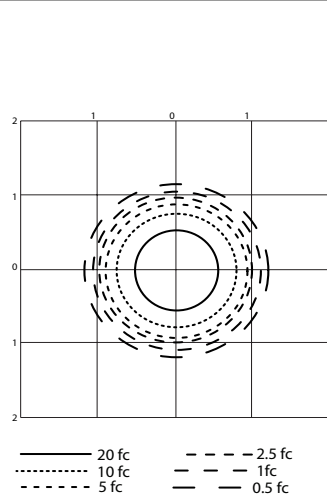
REPORT NUMBER: **BHLPL3WGNNU**

Luminaire Lumens 33,341

POLAR CANDELA DISTRIBUTION



ISOFOOT CANDLE PLOT



ZONAL LUMEN SUMMARY

Zone	Lumens	% Luminaire
0-30	18,117.0	54.4%
0-40	28,265.5	84.8%
0-60	32,605.1	97.8%
60-90	727.8	2.2%
70-100	306.3	0.9%
90-120	0	0%
0-90	33,332.9	100%
90-180	0	0%
0-180	33,332.9	100%

LUMENS PER ZONE

Zone	Lumens	% Total	Zone
0-10	2,123.9	6.4%	90-100
10-20	6,237.4	18.7%	100-110
20-30	9,755.7	29.3%	110-120
30-40	10,148.5	30.4%	120-130
40-50	3,760.3	11.3%	130-140
50-60	579.3	1.7%	140-150
60-70	421.5	1.3%	150-160
70-80	272.0	0.8%	160-170
80-90	34.3	0.1%	170-180

LED/HIGH BAY- NEC/CEC ENCLOSED AND GASKETED

APPLETON™

Baymaster™ HL LED Luminaire

High Bay for Hazardous Locations

NEC/CEC:
cSAUs
 Class I, Division 2, Group A, B, C, D
 Class I, Zone 2, Group IIC
 Class II, Division 1&2, Group E, F, G
 Class III

NEC/CEC:
 Zone 20 and 21 Group IIIC
 Zone 22 Group IIIB
 Simultaneous Exposure
 Marine Outside Type (Salt Water)
 for USA Only

NEC/CEC:
 Wet Locations
 Type 3R, 4 and 4X
 IP66/67

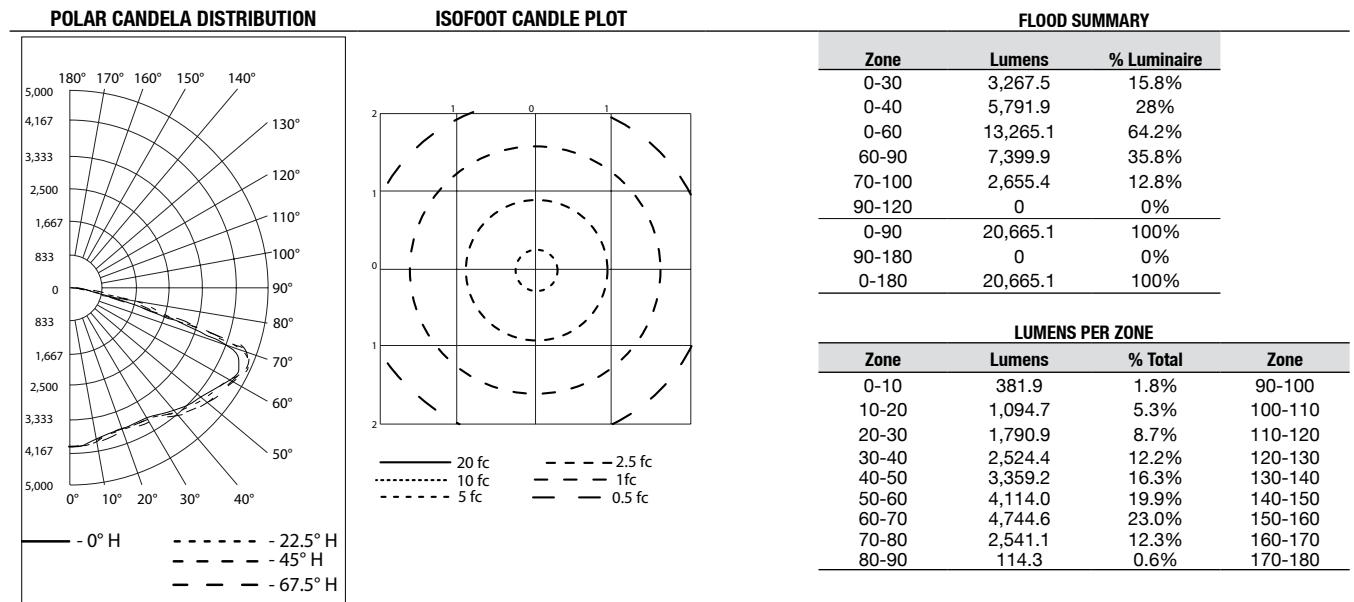
ATEX/IECEX:
 Zone 2 and 22
 IP66
 II 3GD
 IK10
 Ex ec IIC T5

Photometric Data — DATA SHOWN IS ABSOLUTE

Type V Wide, Clear Glass 5000K CCT

REPORT NUMBER: BHLPL1CGWNBU

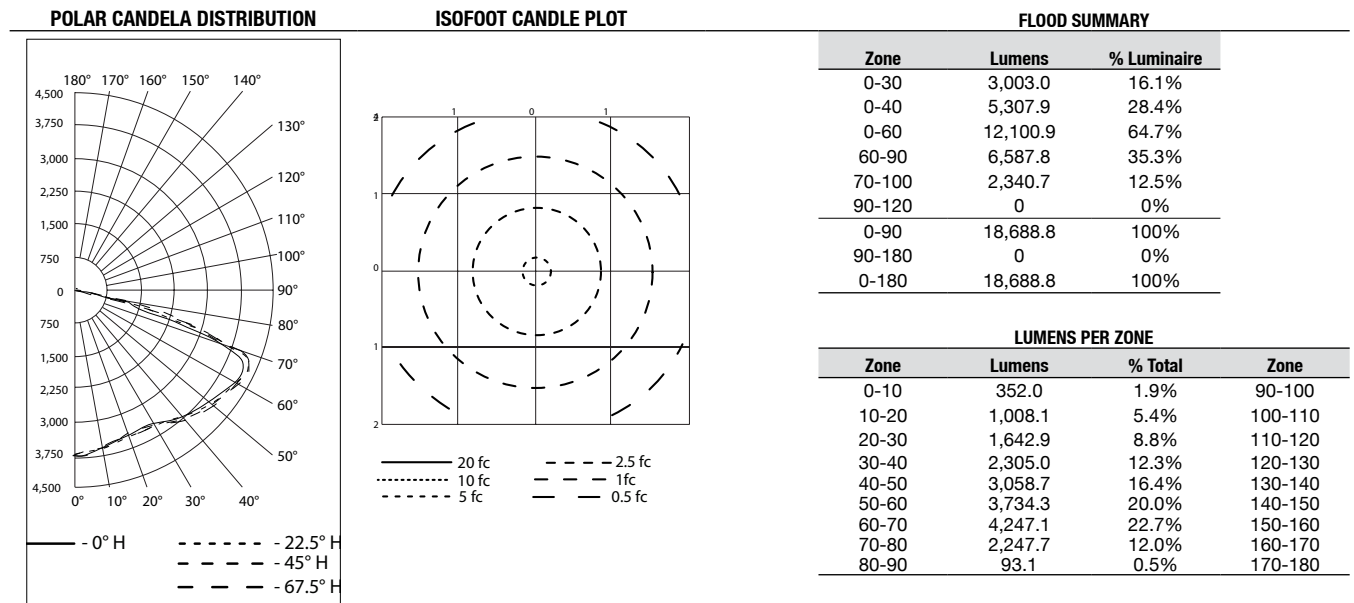
Luminaire Lumens 20,665



Type V Wide, Clear Glass 3000K CCT

REPORT NUMBER: BHLPL1WGWNBUB

Luminaire Lumens 18,689



Baymaster™ HL LED Luminaire

High Bay for Hazardous Locations

NEC/CEC:
 cCSAus
 Class I, Division 2, Group A, B, C, D
 Class I, Zone 2, Group IIC
 Class II, Division 1&2, Group E, F, G
 Class III

NEC/CEC:
 Zone 20 and 21 Group IIIC
 Zone 22 Group IIIB
 Simultaneous Exposure
 Marine Outside Type (Salt Water)
 for USA Only

NEC/CEC:
 Wet Locations
 Type 3R, 4 and 4X
 IP66/67

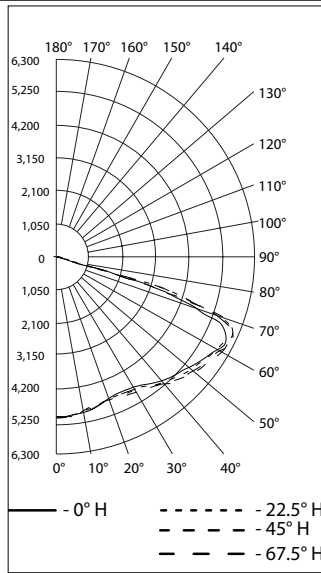
ATEX/IECEX:
 Zone 2 and 22
 IP66
 II 3GD
 IK10
 Ex ec IIC T5

Photometric Data – DATA SHOWN IS ABSOLUTE

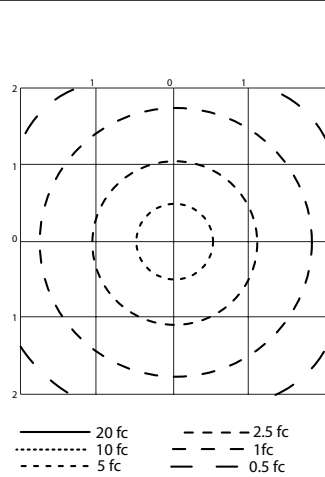
Type V Wide, Clear Glass 5000K CCT
 REPORT NUMBER: **BHLPL2CGWNBU**

Luminaire Lumens 25, 896

POLAR CANDELA DISTRIBUTION



ISOFOOT CANDLE PLOT



FLOOD SUMMARY

Zone	Lumens	% Luminaire
0-30	4,099.3	15.8%
0-40	7,263.6	28%
0-60	16,635.1	64.2%
60-90	9,260.5	35.8%
70-100	3,317.2	12.8%
90-120	0	0%
0-90	25,895.6	100%
90-180	0	0%
0-180	25,895.6	100%

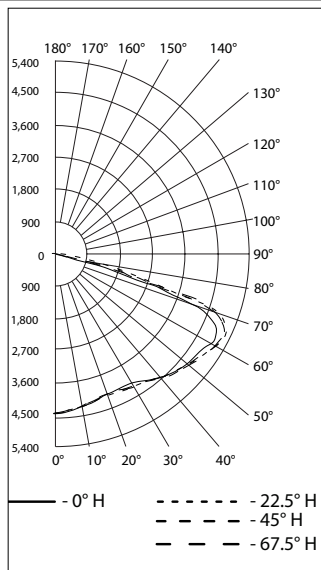
LUMENS PER ZONE

Zone	Lumens	% Total	Zone
0-10	478.9	1.8%	90-100
10-20	1,373.3	5.3%	100-110
20-30	2,247.1	8.7%	110-120
30-40	3,164.3	12.2%	120-130
40-50	4,214.3	16.3%	130-140
50-60	5,157.2	19.9%	140-150
60-70	5,943.3	23.0%	150-160
70-80	3,178.9	12.3%	160-170
80-90	138.3	0.5%	170-180

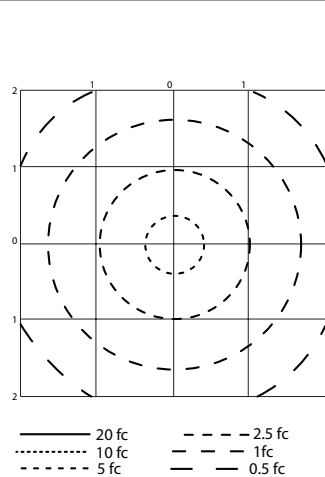
Type V Wide, Clear Glass 3000K CCT
 REPORT NUMBER: **BHLPL2WGWNBUB**

Luminaire Lumens 22,278

POLAR CANDELA DISTRIBUTION



ISOFOOT CANDLE PLOT



FLOOD SUMMARY

Zone	Lumens	% Luminaire
0-30	3,582.7	16.1%
0-40	6,332.7	28.4%
0-60	14,434.3	64.8%
60-90	7,843.9	35.2%
70-100	2,774.1	12.5%
90-120	0	0%
0-90	22,278.2	100%
90-180	0	0%
0-180	22,278.2	100%

LUMENS PER ZONE

Zone	Lumens	% Total	Zone
0-10	420.0	1.9%	90-100
10-20	1,202.3	5.4%	100-110
20-30	1,960.4	8.8%	110-120
30-40	2,749.9	12.3%	120-130
40-50	3,650.1	16.4%	130-140
50-60	4,451.5	20.0%	140-150
60-70	5,069.8	22.8%	150-160
70-80	2,669.2	12.0%	160-170
80-90	104.9	0.5%	170-180

LED/HIGH BAY- NEC/CEC ENCLOSED AND GASKETED

APPLETON™

Baymaster™ HL LED Luminaire

High Bay for Hazardous Locations

NEC/CEC:
cSAus
 Class I, Division 2, Group A, B, C, D
 Class I, Zone 2, Group IIC
 Class II, Division 1&2, Group E, F, G
 Class III

NEC/CEC:
 Zone 20 and 21 Group IIIC
 Zone 22 Group IIIB
 Simultaneous Exposure
 Marine Outside Type (Salt Water)
 for USA Only

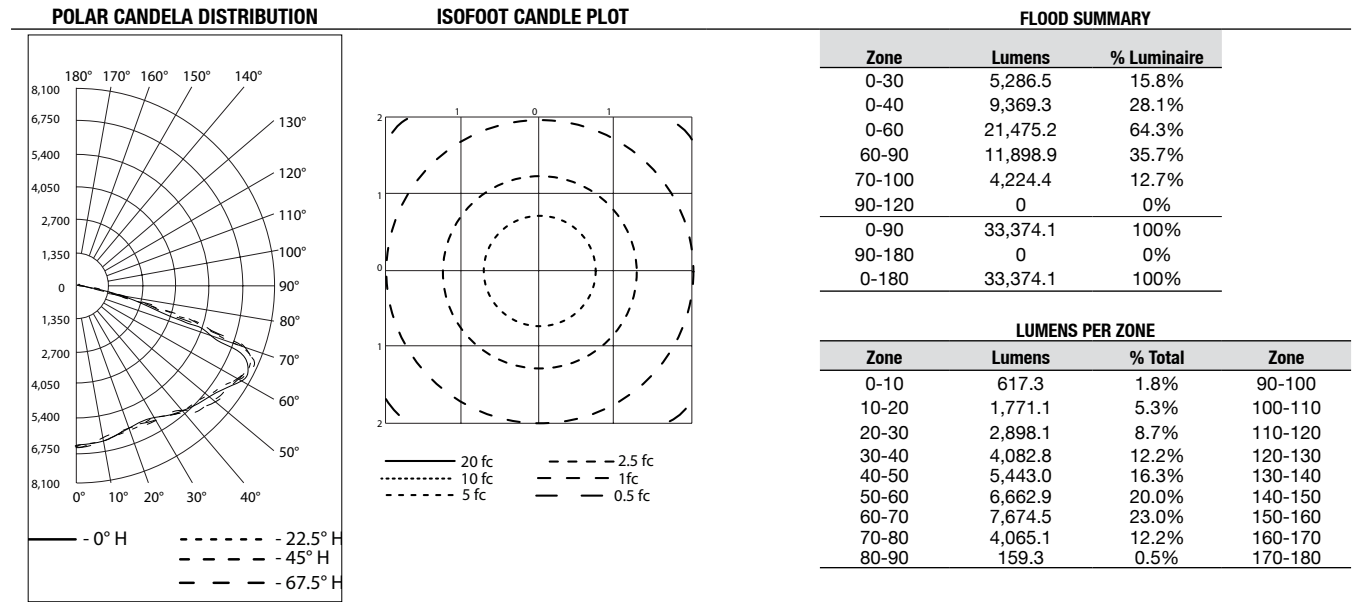
NEC/CEC:
 Wet Locations
 Type 3R, 4 and 4X
 IP66/67

ATEX/IECEX:
 Zone 2 and 22
 IP66
 II 3GD
 IK10
 Ex ec IIC T5

Photometric Data – DATA SHOWN IS ABSOLUTE

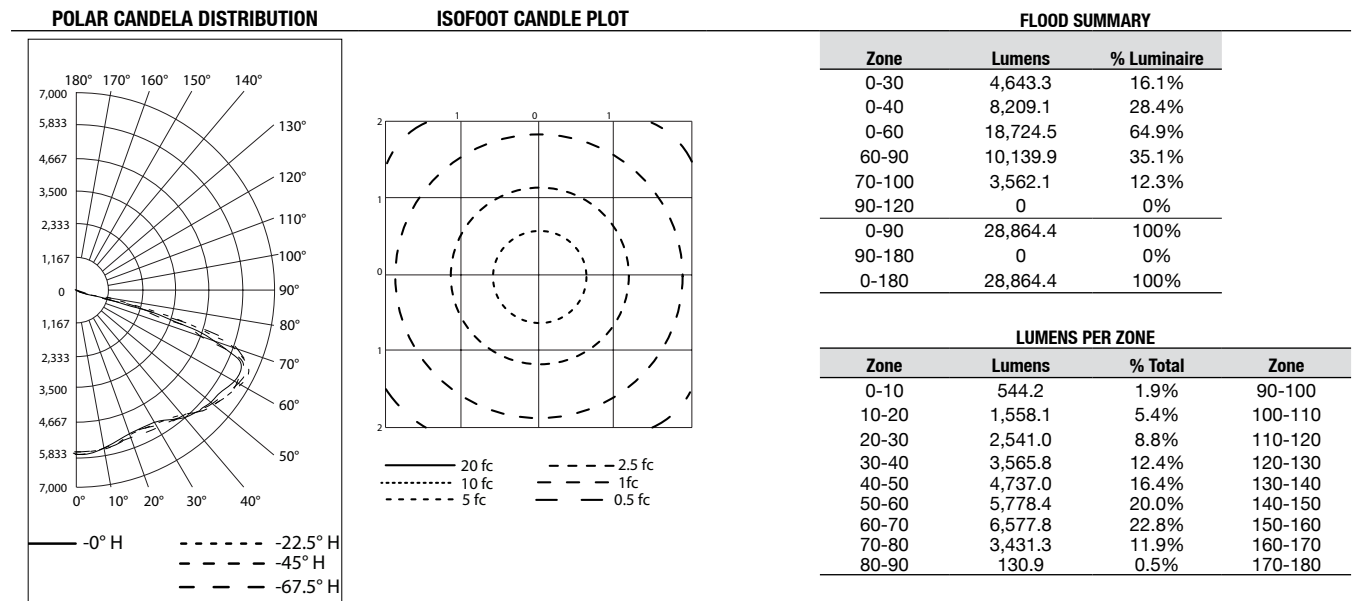
Type V Wide, Clear Glass 5000K CCT
 REPORT NUMBER: **BHLPL3CGWNBU**

Luminaire Lumens 33,374



Type V Wide, Clear Glass 3000K CCT
 REPORT NUMBER: **BHLPL3WGWNBNU**

Luminaire Lumens 28,864



Baymaster™ HL LED Luminaire

High Bay for Hazardous Locations

NEC/CEC:
 cCSAus
 Class I, Division 2, Group A, B, C, D
 Class I, Zone 2, Group IIC
 Class II, Division 1&2, Group E, F, G
 Class III

NEC/CEC:
 Zone 20 and 21 Group IIIC
 Zone 22 Group IIIB
 Simultaneous Exposure
 Marine Outside Type (Salt Water)
 for USA Only

NEC/CEC:
 Wet Locations
 Type 3R, 4 and 4X
 IP66/67

ATEX/IECEX:
 Zone 2 and 22
 IP66
 II 3GD
 IK10
 Ex ec IIC T5

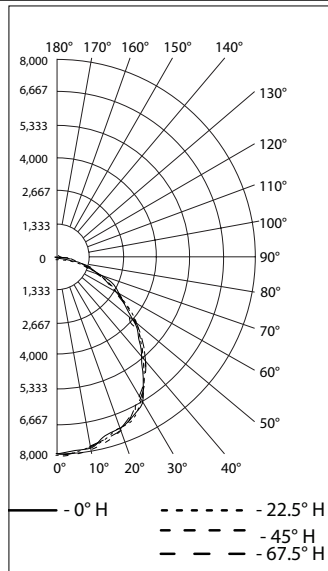
Photometric Data – DATA SHOWN IS ABSOLUTE

Type V Medium, Frosted Glass 5000K CCT

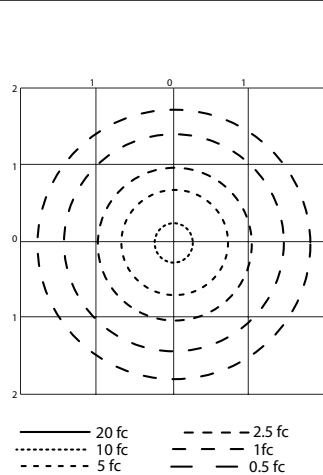
REPORT NUMBER: **BHLPL1CFMNB**

Luminaire Lumens 20,801

POLAR CANDELA DISTRIBUTION



ISOFOOT CANDLE PLOT



FLOOD SUMMARY

Zone	Lumens	% Luminaire
0-30	6,121.0	29.4%
0-40	9,932.9	47.8%
0-60	17,003.6	81.8%
60-90	3,795.4	18.2%
70-100	1,458.3	7%
90-120	0	0%
0-90	20,799.0	100%
90-180	0	0%
0-180	20,799.0	100%

LUMENS PER ZONE

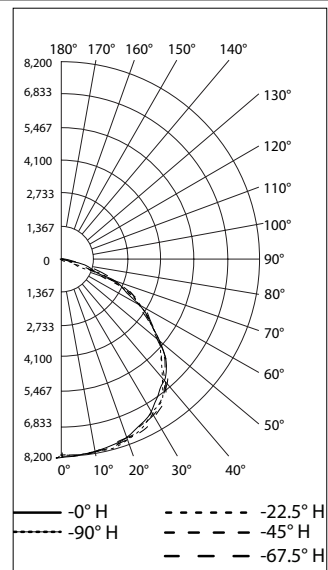
Zone	Lumens	% Total	Zone
0-10	749.2	3.6%	90-100
10-20	2,144.9	10.3%	100-110
20-30	3,226.9	15.5%	110-120
30-40	3,811.9	18.3%	120-130
40-50	3,804.1	18.3%	130-140
50-60	3,266.6	15.7%	140-150
60-70	2,337.1	11.2%	150-160
70-80	1,217.2	5.9%	160-170
80-90	241.1	1.2%	170-180

Type V Medium, Clear Glass 5000K CCT

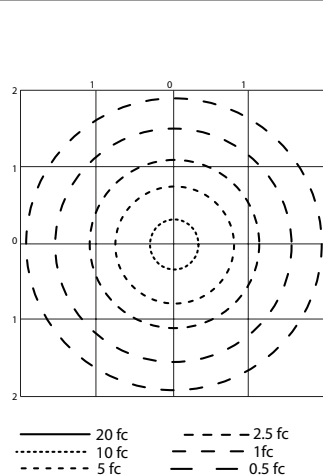
REPORT NUMBER: **BHLPL1CGMNB**

Luminaire Lumens 24,352

POLAR CANDELA DISTRIBUTION



ISOFOOT CANDLE PLOT



FLOOD SUMMARY

Zone	Lumens	% Luminaire
0-30	6,658.2	27.3%
0-40	11,178.5	45.9%
0-60	20,239.3	83.1%
60-90	4,111.0	16.9%
70-100	1,207.1	5%
90-120	0	0%
0-90	24,350.2	100%
90-180	0	0%
0-180	24,350.2	100%

LUMENS PER ZONE

Zone	Lumens	% Total	Zone
0-10	773.6	3.2%	90-100
10-20	2,280.5	9.4%	100-110
20-30	3,604.1	14.8%	110-120
30-40	4,520.2	18.6%	120-130
40-50	4,785.8	19.7%	130-140
50-60	4,275.0	17.6%	140-150
60-70	2,903.9	11.9%	150-160
70-80	1,100.3	4.5%	160-170
80-90	106.7	0.4%	170-180

LED/HIGH BAY: NEC/CEC ENCLOSED AND GASKETED

APPLETON™

Baymaster™ HL LED Luminaire

High Bay for Hazardous Locations

NEC/CEC:
cSAus
 Class I, Division 2, Group A, B, C, D
 Class I, Zone 2, Group IIC
 Class II, Division 1&2, Group E, F, G
 Class III

NEC/CEC:
 Zone 20 and 21 Group IIIC
 Zone 22 Group IIIB
 Simultaneous Exposure
 Marine Outside Type (Salt Water)
 for USA Only

NEC/CEC:
 Wet Locations
 Type 3R, 4 and 4X
 IP66/67

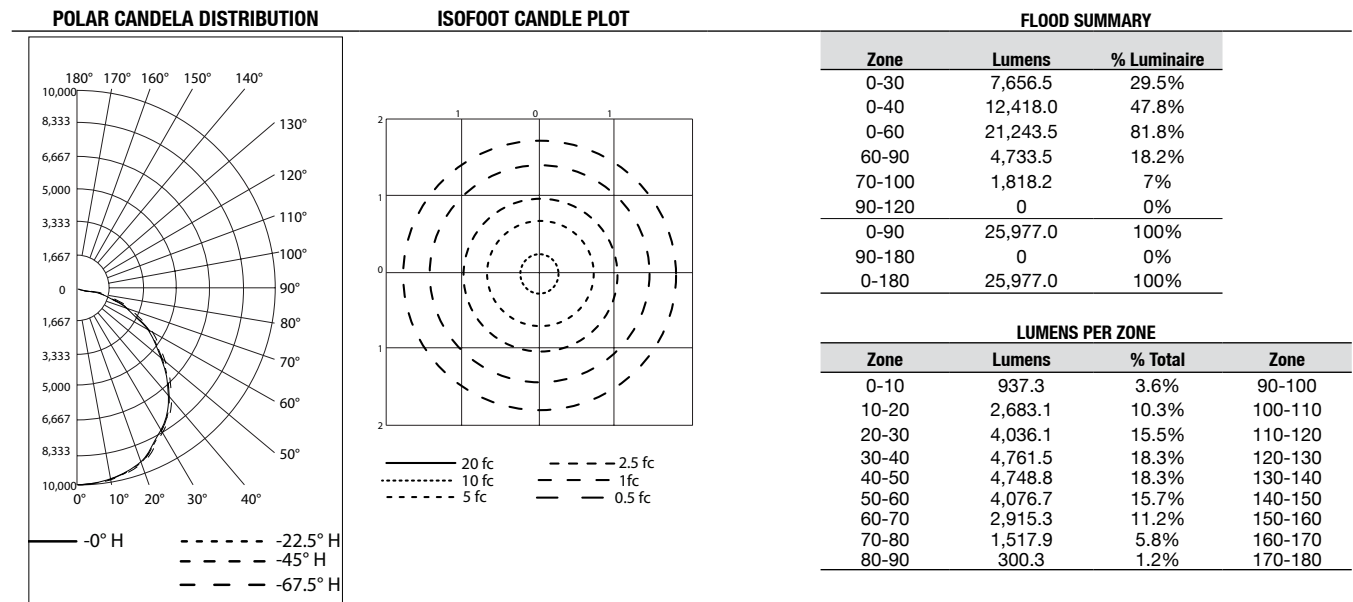
ATEX/IECEX:
 Zone 2 and 22
 IP66
 II 3GD
 IK10
 Ex ec IIC T5

Photometric Data – DATA SHOWN IS ABSOLUTE

Type V Medium, Frosted Glass 5000K CCT

REPORT NUMBER: **BHLPL2CFMNB**

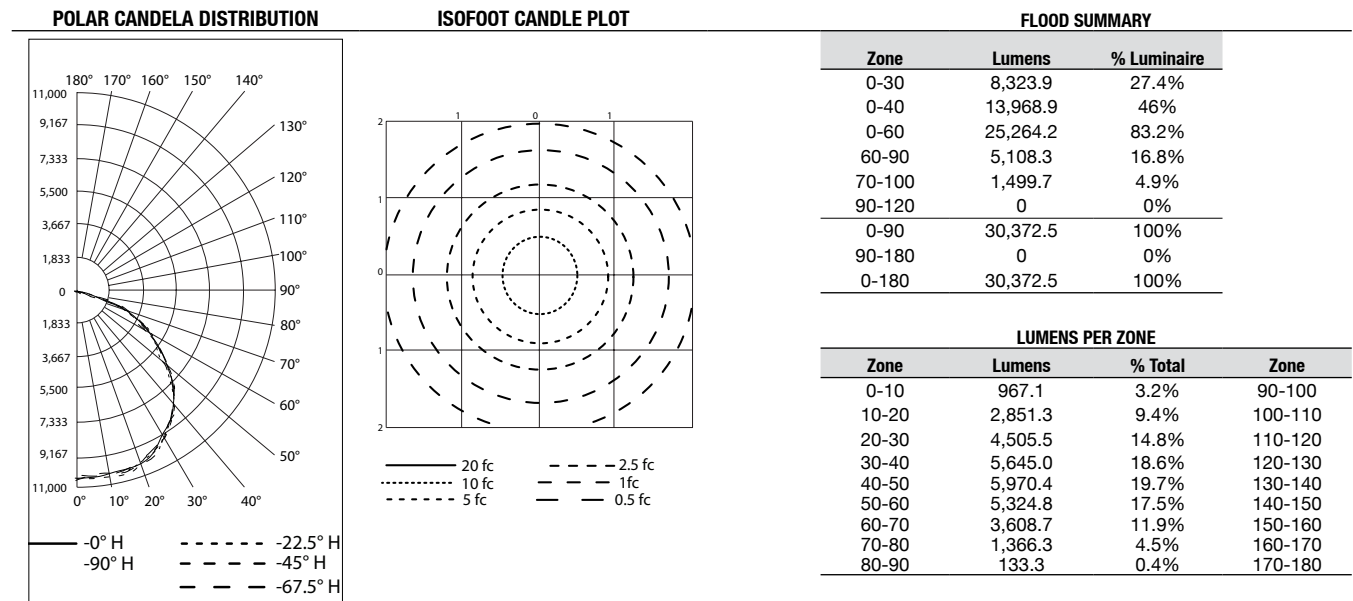
Luminaire Lumens 25,979



Type V Medium, Clear Glass 5000K CCT

REPORT NUMBER: **BHLPL2CGMNB**

Luminaire Lumens 30,375



Baymaster™ HL LED Luminaire

High Bay for Hazardous Locations

NEC/CEC:
 cCSAus
 Class I, Division 2, Group A, B, C, D
 Class I, Zone 2, Group IIC
 Class II, Division 1&2, Group E, F, G
 Class III

NEC/CEC:
 Zone 20 and 21 Group IIIC
 Zone 22 Group IIIB
 Simultaneous Exposure
 Marine Outside Type (Salt Water)
 for USA Only

NEC/CEC:
 Wet Locations
 Type 3R, 4 and 4X
 IP66/67

ATEX/IECEX:
 Zone 2 and 22
 IP66
 II 3GD
 IK10
 E=x ec IIC T5

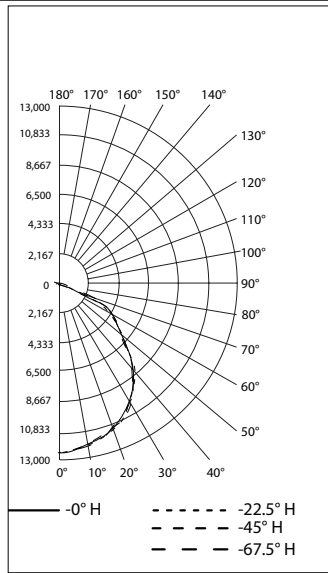
Photometric Data — DATA SHOWN IS ABSOLUTE

Type V, Frosted Glass 5000K CCT

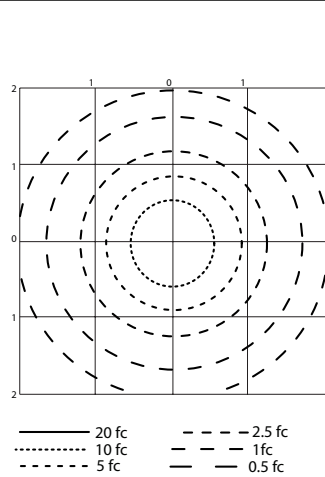
REPORT NUMBER: **BHLPL3CFMNB**

Luminaire Lumens 32,107

POLAR CANDELA DISTRIBUTION



ISOFOOT CANDLE PLOT



FLOOD SUMMARY

Zone	Lumens	% Luminaire
0-30	9,470.7	29.5%
0-40	15,360.8	47.8%
0-60	26,252.9	81.8%
60-90	5,851.6	18.2%
70-100	2,251.6	7%
90-120	0	0%
0-90	32,104.5	100%
90-180	0	0%
0-180	32,104.5	100%

LUMENS PER ZONE

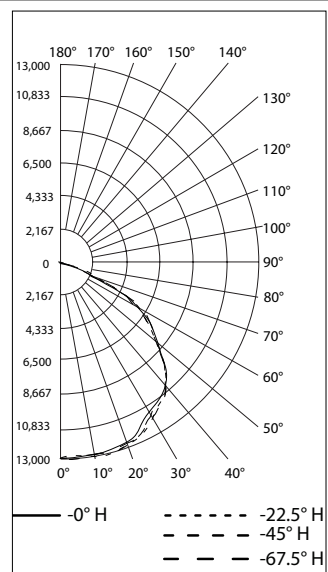
Zone	Lumens	% Total	Zone
0-10	1,160.6	3.6%	90-100
10-20	3,319.7	10.3%	100-110
20-30	4,990.5	15.5%	110-120
30-40	5,890.0	18.3%	120-130
40-50	5,863.2	18.3%	130-140
50-60	5,028.9	15.7%	140-150
60-70	3,600.0	11.2%	150-160
70-80	1,879.7	5.9%	160-170
80-90	371.9	1.2%	170-180

Type V, Clear Glass 5000K CCT

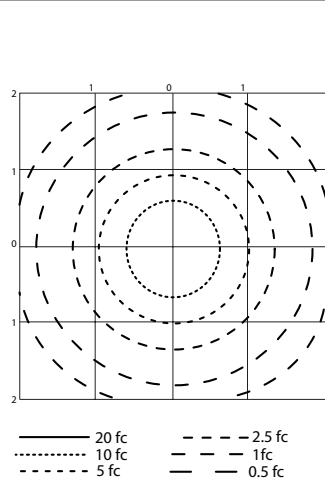
REPORT NUMBER: **BHLPL3CGMNB**

Luminaire Lumens 37,574

POLAR CANDELA DISTRIBUTION



ISOFOOT CANDLE PLOT



FLOOD SUMMARY

Zone	Lumens	% Luminaire
0-30	10,427.6	27.8%
0-40	17,424.5	46.4%
0-60	31,266.2	83.2%
60-90	6,304.9	16.8%
70-100	1,911.4	5.1%
90-120	0	0%
0-90	37,571.2	100%
90-180	0	0%
0-180	37,571.2	100%

LUMENS PER ZONE

Zone	Lumens	% Total	Zone
0-10	1,219.3	3.2%	90-100
10-20	3,578.9	9.5%	100-110
20-30	5,629.5	15.0%	110-120
30-40	6,996.9	18.6%	120-130
40-50	7,346.6	19.6%	130-140
50-60	6,495.1	17.3%	140-150
60-70	4,393.6	11.7%	150-160
70-80	1,713.0	4.6%	160-170
80-90	198.3	0.5%	170-180

LED/HIGH BAY- NEC/CEC ENCLOSED AND GASKETED

APPLETON™