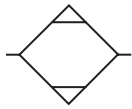


Desiccant Dryer X06

= "Most Popular"



X06-02-000

Features and Benefits

- Atmospheric Dew Points as Low as -100°F
- No Electrical Connection Necessary
- Color change of the Desiccant Provides an Instant Status of the Compressed Air System

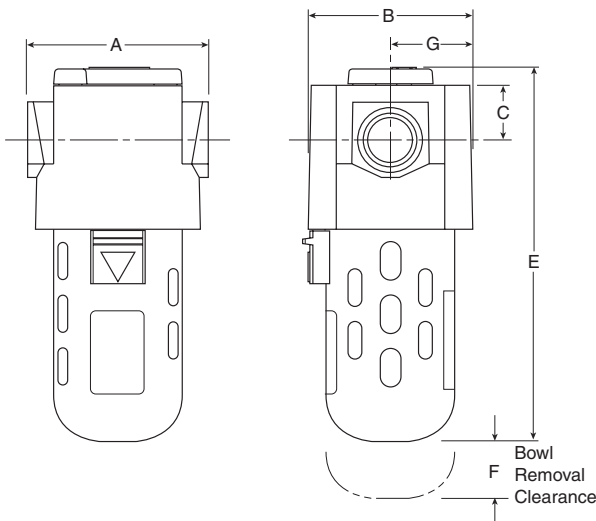
Specifications

Atmospheric Dew Point*—		
Model 000	Silica Gel	-45°F (-43°C)
Model E00	Silica Gel (Non-toxic)	-45°F (-43°C)
Model U00	4A Molecular Sieve	-100°F (-52°C)
Maximum Continuous Air Flow*	5 SCFM (2.3 dm³/s)	
Maximum Pressure	150 PSIG (10.3 bar)	
Maximum Temperature	125°F (52°C)	
Port Size	NPT / BSPP-G	1/4
Total Air Flow*	1/4	600 SCF (16.6 m³)
Total Minutes of Operation @ Continuous Air Flow	120 Minutes	
Weight (with Desiccant)	lb. (kg)	1.13 (0.51)
Weight Desiccant Alone	lb. (kg)	0.25 (0.11)

* With dry desiccant at 100 PSIG (7 bar) and 70°F (21°C), saturated inlet (100% RH).

Materials of Construction

Body	Zinc	
Bowls	Plastic	Polycarbonate
Bowl Guard	Steel	
Seals	Fluorocarbon	



Dimensions

Models	Inches (mm)	A	B	C	E	F	G
Standard Unit X06-02-000		2.99 (75.9)	2.72 (69)	.90 (22.8)	6.41 (162.8)	1.50 (38)	1.36 (34.5)

 = "Most Popular"

Replacement Parts

- Bowl Guard GRP-95-013
- Bowl O-ring GRP-95-259
- Transparent Bowl DRP-96-459

Replacement Desiccant Kits

Silica Gel (000) -40°F ADP

Old Replacement Kit Number	New Replacement Kit Number	# of Replacement Charges for X06
DRP-95-303	DRP-04-10B/001	1
	DRP-04-10B/005	5

Non Toxic Desiccant (E00) -40°F ADP

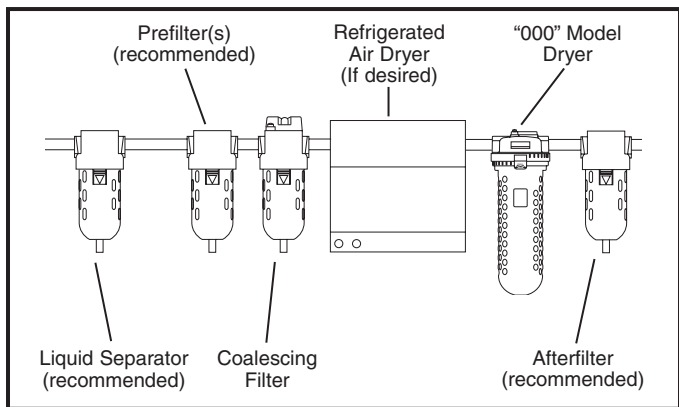
Old Replacement Kit Number	New Replacement Kit Number	# of Replacement Charges For X06
	DRP-04-447/001	1
	DRP-04-447/005	5

4A Molecular Sieve (U00) -100°F ADP

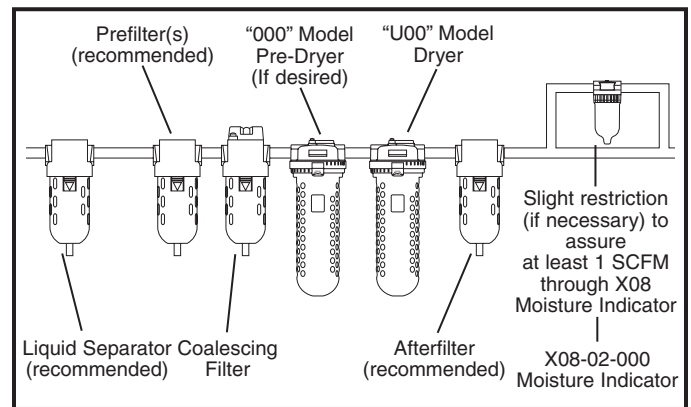
Old Replacement Kit Number	New Replacement Kit Number	# of Replacement Charges For X06
DRP-95-304	DRP-04-514/001	1
	DRP-04-514/005	5

Typical Installation Arrangement

-45°F ADP Models:



-100°F ADP Models:



Ordering Information

Model Type	Port Size	Polycarbonate Bowl
X06	1/4	X06-02-000

Options - To order an option supplied with the unit model, add the appropriate coded suffix letter in the designated position of the model number.