

Type AEE

Features

- International Ex approvals
- Available in brass, stainless steel, mild steel and aluminium
- Various threadforms available

Benefits

- Provides a method of bonding cable gland or termination to a grounding or earth point
- Maintains Ex certification

Materials

- Brass CZ121
- 316 stainless steel
- Aluminium
- Mild steel

Threadforms

- Metric
- NPT
- PG
- ISO pipe (BSP)
- ET

Technical specification

Code of Protection Categories

ATEX: II 2GD, Ex e IIC Gb, Ex tb IIIC Db

IECEx: Ex e IIC Gb, Ex tb IIIC Db

GOST: ExeIIU

CSA: Class I, Division 1 Groups C, D; Class I Division 2; Groups A, B, C, D; Class II, Groups E, F, G; Class III; Enclosure Type 3, Class I, Zone 1, AEx e IIB IP54, Class I, Zone 2, AEx e IIC IP54

Compliance standards

ATEX: EN 60079-0, EN 60079-7, EN 61241-0, EN 61241-1

IECEx: IEC 60079-0, IEC 60079-7, IEC 660079-31

CSA: C22.2 No. 30-M1986 (R2012), CAN/CSA 60079-0-11, CAN/CSA 60079-31:12, UL1203-5th Edition

Certificate details

ATEX: Sira 00ATEX3093X

IECEx: IECEx SIR 12.0016X

CSA: 1248014 (LR 106084)

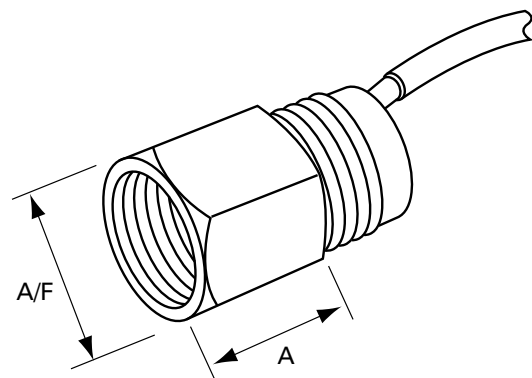
GOST: TC RUC-G B.ГБ06.B.00105

Temperature

Temperature rating: -20°C to +40°C

Part number:

Please refer to page 10 for part numbering system



Dimensions of Metric Versions

Size	Body Length (A)	A/F
M16	21.50	23.37
M20	21.50	30.48
M25	21.50	37.59
M32	21.50	47.24
M40	21.50	55.88
M50	21.50	70.10
M63	21.50	90.17