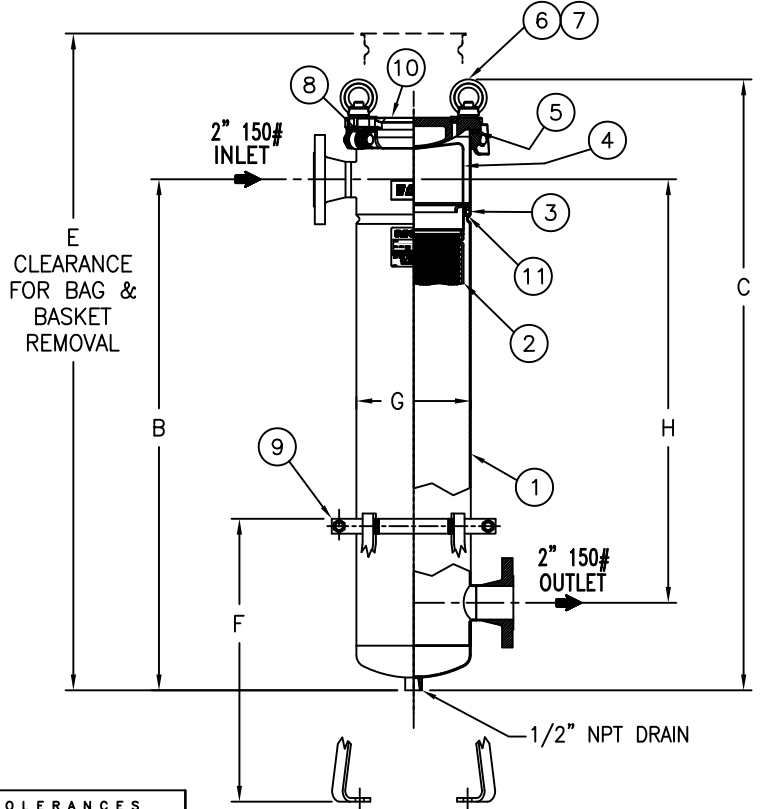
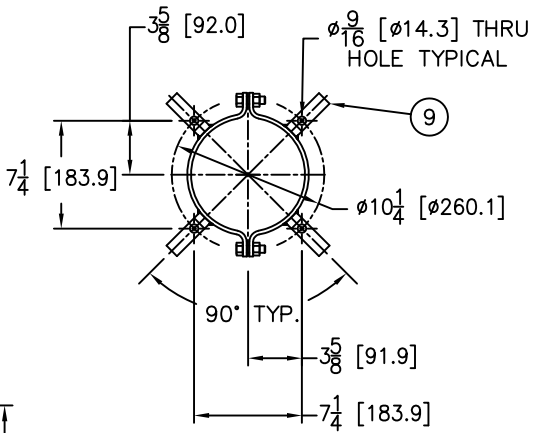
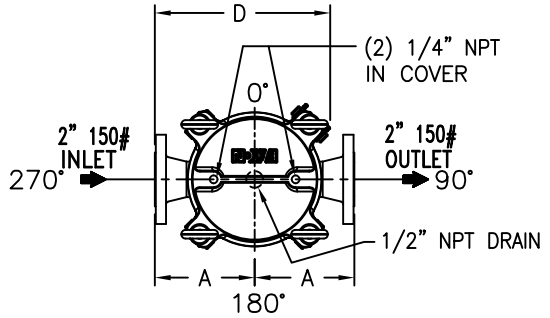


| ITEM NUMBER | BAG SIZE | IN. / MM      | IN. / MM        | IN. / MM      | IN. / MM       | IN. / MM   | IN. / MM     | IN. / MM      | IN. / MM        | WEIGHT LBS / KGS |
|-------------|----------|---------------|-----------------|---------------|----------------|------------|--------------|---------------|-----------------|------------------|
| F3AVFB00300 | 02       | 6-11/16 / 170 | 34-5/16 / 871.5 | 40-7/8 / 1038 | 11-3/4 / 298.4 | 69/ 1752.6 | 19-1/4 / 489 | 7-11/16 / 195 | 28-7/16 / 722.3 | 53 / 24          |

| REVISIONS |                 |     |         |          |
|-----------|-----------------|-----|---------|----------|
| REV       | DESCRIPTION     | BY  | ECO     | DATE     |
| E         | UPDATED DRAWING | FJM | 0087639 | 07/24/13 |



| NO. | PART NAME                                 | MATERIAL                     |
|-----|---|------------------------------|
| 1   | BODY                                      | 316 STAINLESS STEEL          |
| 2   | RESTRAINER BASKET<br>02 SIZE P/N L0001753 | 316 STAINLESS STEEL          |
| 3   | ADAPTOR O-RING<br>P/N X811441             | BUNA-N                       |
| 4   | BAG HOLD DOWN                             | 316 STAINLESS STEEL          |
| 5   | O-RING<br>P/N X811445                     | BUNA-N                       |
| 6   | EYE BOLT                                  | STEEL, ZINC PLATED           |
| 7   | EYE NUT                                   | STEEL, ZINC PLATED           |
| 8   | PIN                                       | STAINLESS STEEL              |
| 9   | ADJUSTABLE LEGS<br>P/N L0002939SA-CSTL    | CARBON STEEL<br>EPOXY COATED |
| 10  | COVER                                     | 316 STAINLESS STEEL          |
| 11  | ADAPTOR PLATE                             | 316 STAINLESS STEEL          |

- NOTES:**
- INLET/OUTLET FLANGED CONNECTIONS PER ANSI B16.5
  - MAWP: 150 PSI @ 250° F MDMT: -20° F @ 150 PSI  
(10.3 BAR @ 121.1° C) (-28.9° C @ 10.3 BAR)
  - MAXIMUM OPERATING TEMP. 400° F (204.4° C) WITH VITON O-RING.
  - DIMENSIONS SHOWN IN [ ] ARE IN MILLIMETERS AND FOR REFERENCE ONLY. ACCEPTANCE OF THIS PART WILL BE BASED ON "INCH" UNITS & TOLERANCES ONLY.

| TOLERANCES<br>(UNLESS OTHERWISE SPECIFIED) |  |
|--|--|
| DECIMAL:                                   | .X ± .030<br>.XX ± .010<br>.XXX ± .005 |
| FRACTIONAL:                                | ± 1/16                                 |
| NOZZLE Ø TO FLOOR:                         | 1/8" < 4' > 3/4"                       |
| FACE TO FACE:                              | 1/4" < 4' > 1/2"                       |
| ANGULAR:                                   | ± 1'                                   |
| FLANGES (H/V):                             | ± 1/2"                                 |
| VESSEL OVERALL HT:                         | 1"                                     |

REVIEWED FOR CLASSIFICATION PER PR-4  
 CRITICAL SIGNIFICANT

| CUSTOMER INFO |             |
|---------------|-------------|
| NAME          |             |
| P.O. NO.      |             |
| S.O. NO.      |             |
| QUANTITY      |             |
| PART NO.      | F3AVFB00300 |

|                            |  |  |                               |
|----------------------------|--|--|-------------------------------|
| DRAWN BY<br>FJM            |  | VESSEL CODE: FBF-0102-AB10-020A-NI-B-NC5   |                               |
| SCALE<br>AS DRAWN          |  | EATON FILTRATION, LLC<br>DESIGN CENTER<br>TINTON FALLS, NEW JERSEY, USA • PORTAGE, MICHIGAN, USA   |                               |
| RESTRICTION<br>RESTRICTION |  | TITLE<br>FLOWLINE (FBF) BAG FILTER VESSEL<br>2" 150# FLANGED IN/OUT CONNECTIONS<br>IN-LINE SS-316 W/BUNA O-RINGS   |                               |
| SHEET<br>1 OF 1            |  | DATE<br>11/13/02   |                               |
| PROJECTION<br>THIRD ANGLE  |  | SIZE<br>A  | DWG FILENAME<br>FBF0102XSf-SO |
| REV<br>E                   |  | <small>EATON CORPORATION - CONFIDENTIAL AND PROPRIETARY NOTICE TO PERSONS RECEIVING THIS DRAWING AND/OR TECHNICAL INFORMATION<br/>         THIS DOCUMENT, INCLUDING THE DRAWING AND INFORMATION CONTAINED THEREIN IS CONFIDENTIAL AND IS THE EXCLUSIVE PROPERTY OF EATON AT ANY TIME. BY TAKING THE<br/>         POSSESSION OF THIS DOCUMENT THE RECIPIENT ACKNOWLEDGES AND AGREES THAT THIS DOCUMENT CANNOT BE USED IN ANY MANNER ADVERSE TO THE INTEREST OF EATON AND<br/>         THAT NO PORTION OF THIS DRAWING MAY BE COPIED OR OTHERWISE REPRODUCED WITHOUT THE PRIOR WRITTEN CONSENT OF EATON, IN THE CASE OF CONFLICT CONTRACTUAL<br/>         PROVISIONS, THIS NOTICE SHALL GOVERN THE STATUS OF THIS DOCUMENT.<br/>         2013 EATON CORPORATION - ALL RIGHTS RESERVED.</small> |                               |