

# Operating Instructions



Phase out

**LEVEL TRANSMITTER  
8178**

4 ... 20 mA/HART

## Contents

<b>1</b>	<b>About this document</b>	
1.1	Function . . . . .	4
1.2	Target group . . . . .	4
1.3	Symbolism used . . . . .	4
<b>2</b>	<b>For your safety</b>	
2.1	Authorised personnel . . . . .	5
2.2	Appropriate use . . . . .	5
2.3	Warning about misuse . . . . .	5
2.4	General safety instructions . . . . .	5
2.5	Safety approval markings and safety tips . . . . .	6
2.6	CE conformity . . . . .	6
2.7	Compatibility according to NAMUR NE 53 . . . . .	6
2.8	Safety instructions for Ex areas . . . . .	6
<b>3</b>	<b>Product description</b>	
3.1	Configuration . . . . .	7
3.2	Principle of operation . . . . .	7
3.3	Operation . . . . .	8
3.4	Packaging, transport and storage . . . . .	8
<b>4</b>	<b>Mounting</b>	
4.1	General instructions . . . . .	10
4.2	Mounting instructions . . . . .	12
<b>5</b>	<b>Connecting to power supply</b>	
5.1	Preparing the connection . . . . .	19
5.2	Connection procedure . . . . .	20
5.3	Wiring plan, single chamber housing . . . . .	21
5.4	Switch on phase . . . . .	22
<b>6</b>	<b>Set up with the indicating and adjustment module</b>	
6.1	Short description . . . . .	23
6.2	Insert indicating and adjustment module . . . . .	23
6.3	Adjustment system . . . . .	25
6.4	Setup procedure . . . . .	26
6.5	Menu plan ultrasonic sensor . . . . .	32
<b>7</b>	<b>Maintenance and fault rectification</b>	
7.1	Maintenance . . . . .	34
7.2	Remove interferences . . . . .	34
<b>8</b>	<b>Dismounting</b>	
8.1	Dismounting steps . . . . .	36
8.2	Disposal . . . . .	36
<b>9</b>	<b>Supplement</b>	
9.1	Technical data . . . . .	37

9.2 Dimensions ..... 41

Phase out



**Supplementary documentation**

**Information:**

Supplementary documents appropriate to the ordered version come with the delivery. You can find them listed in chapter "*Product description*".

# 1 About this document

## 1.1 Function

This operating instructions manual provides all the information you need for mounting, connection and setup as well as important instructions for maintenance and fault rectification. Please read this information before putting the instrument into operation and keep this manual accessible in the immediate vicinity of the device.

## 1.2 Target group

This operating instructions manual is directed to trained qualified personnel. The contents of this manual should be made available to these personnel and put into practice by them.

## 1.3 Symbolism used



### Information, tip, note

This symbol indicates helpful additional information.



**Caution:** If this warning is ignored, faults or malfunctions can result.

**Warning:** If this warning is ignored, injury to persons and/or serious damage to the instrument can result.

**Danger:** If this warning is ignored, serious injury to persons and/or destruction of the instrument can result.



### Ex applications

This symbol indicates special instructions for Ex applications.



### List

The dot set in front indicates a list with no implied sequence.



### Action

This arrow indicates a single action.



### Sequence

Numbers set in front indicate successive steps in a procedure.

## 2 For your safety

### 2.1 Authorised personnel

All operations described in this operating instructions manual must be carried out only by trained specialist personnel authorised by the plant operator.

During work on and with the device the required personal protective equipment must always be worn.

### 2.2 Appropriate use

LEVEL TRANSMITTER 8178 is a sensor for continuous level measurement.

You can find detailed information on the application range in chapter "*Product description*".

Operational reliability is ensured only if the instrument is properly used according to the specifications in the operating instructions manual as well as possible supplementary instructions.

For safety and warranty reasons, any invasive work on the device beyond that described in the operating instructions manual may be carried out only by personnel authorised by the manufacturer. Arbitrary conversions or modifications are explicitly forbidden.

### 2.3 Warning about misuse

Inappropriate or incorrect use of the instrument can give rise to application-specific hazards, e.g. vessel overfill or damage to system components through incorrect mounting or adjustment.

### 2.4 General safety instructions

This is a high-tech instrument requiring the strict observance of standard regulations and guidelines. The user must take note of the safety instructions in this operating instructions manual, the country-specific installation standards as well as all prevailing safety regulations and accident prevention rules.

The instrument must only be operated in a technically flawless and reliable condition. The operator is responsible for trouble-free operation of the instrument.

During the entire duration of use, the user is obliged to determine the compliance of the required occupational safety measures with the current valid rules and regulations and also take note of new regulations.

## 2.5 Safety approval markings and safety tips

The safety approval markings and safety tips on the device must be observed.

## 2.6 CE conformity

The instrument is in CE conformity with EMC (89/336/EWG), fulfils NAMUR recommendation NE 21 and is in CE conformity with LVD (73/23/EG).

Conformity has been judged according to the following standards:

- EMC:
  - Emission EN 61326: 1997 (class A)
  - Susceptibility EN 61326: 1997/A1:1998
- LVD: EN 61010-1: 2001

## 2.7 Compatibility according to NAMUR NE 53

With regard to compatibility, the NAMUR recommendation NE 53 is fulfilled. This applies also to the corresponding indicating and adjustment components.

The parameter adjustment of the basic sensor functions is independent of the software version. The range of available functions depends on the respective software version of the individual components.

The software version of LEVEL TRANSMITTER 8178 can be determined as follows:

- on the type label of the electronics
- via the indicating and adjustment module

## 2.8 Safety instructions for Ex areas

Please note the Ex-specific safety information for installation and operation in Ex areas. These safety instructions are part of the operating instructions manual and come with the Ex-approved instruments.

**Scope of delivery**

**3 Product description**

**3.1 Configuration**

The scope of delivery encompasses:

- LEVEL TRANSMITTER 8178 ultrasonic sensor
- Optionally mounting strap or compression flange
- Documentation
  - this operating instructions manual
  - Operating instructions manual "*Indicating and adjustment module*" (optional)
  - if necessary, further certificates

**Components**

LEVEL TRANSMITTER 8178 consists of the following components:

- Process fitting with transducer
- Housing with electronics
- Housing cover, optionally available with indicating and adjustment module

The components are available in different versions.

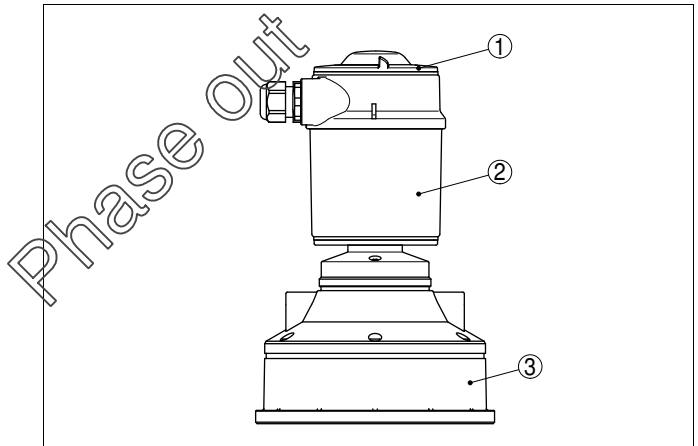


Fig. 1: LEVEL TRANSMITTER 8178  
 1 Housing cover with integrated indicating and adjustment module (optional)  
 2 Housing with electronics  
 3 Process fitting with transducer

**3.2 Principle of operation**

**Application area**

LEVEL TRANSMITTER 8178 is an ultrasonic sensor for continuous level measurement. It is suitable for liquids and solids in practically all industries.

## Functional principle

The transducer of the ultrasonic sensor transmits short ultrasonic pulses to the measured product. These pulses are reflected by product surface and received again by the transducer as echoes. The running time of the ultrasonic pulses from emission to reception is proportional to the distance and hence the level. The determined level is converted into an appropriate output signal and outputted as measured value.

## Power supply

Two-wire electronics 4 ... 20 mA/HART for power supply and measured value transmission over the same cable.

The supply voltage range can differ depending on the instrument version.

The data for power supply are specified in chapter "*Technical data*".

The backlight of the indicating and adjustment module is powered by the sensor. Prerequisite is a certain level of supply voltage.

The data for power supply are specified in chapter "*Technical data*".

## 3.3 Operation

LEVEL TRANSMITTER 8178 can be adjusted with different adjustment media:

- with indicating and adjustment module
- With a HART handheld

The entered parameters are generally saved in LEVEL TRANSMITTER 8178, optionally also in the indicating/adjustment module.

## 3.4 Packaging, transport and storage

### Packaging

Your instrument was protected by packaging during transport. Its capacity to handle normal loads during transport is assured by a test according to DIN EN 24180.

The packaging of standard instruments consists of environment-friendly, recyclable cardboard. For special versions, PE foam or PE foil is also used. Dispose of the packaging material via specialised recycling companies.

### Transport

Transport must be carried out under consideration of the notes on the transport packaging. Nonobservance of these instructions can cause damage to the device.

### Transport inspection

The delivery must be checked for completeness and possible transit damage immediately at receipt. Ascertained transit damage or concealed defects must be appropriately dealt with.



**Storage**

Up to the time of installation, the packages must be left closed and stored according to the orientation and storage markings on the outside.

Unless otherwise indicated, the packages must be stored only under the following conditions:

- Not in the open
- Dry and dust free
- Not exposed to corrosive media
- Protected against solar radiation
- Avoiding mechanical shock and vibration
- Storage and transport temperature see chapter "*Supplement - Technical data - Ambient conditions*"
- Relative humidity 20 ... 85 %

**Storage and transport temperature**

Phase out

MAN 1000098263 ML Version: A Status: PO (Phase out) printed: 29.01.2015

## 4 Mounting

### 4.1 General instructions

MAN 1000098263 ML Version: A Status: PO (Phase out) | Phase out | printed: 01.2015  
**Mounting position**

Select an installation position you can easily reach for mounting and connecting as well as later retrofitting of an indicating and adjustment module. The housing can be rotated by 330° without the use of any tools. You can also install the indicating and adjustment module in four different positions (each displaced by 90°).

**Moisture**

Use the recommended cables (see chapter "Connecting to power supply") and tighten the cable gland.

You can give your instrument additional protection against moisture penetration by leading the connection cable downward in front of the cable entry. Rain and condensation water can thus drain off. This applies mainly to outdoor mounting as well as installation in areas where high humidity is expected (e.g. through cleaning processes) or on cooled or heated vessels.

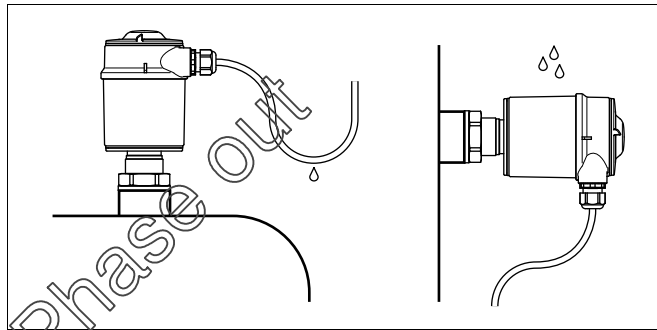


Fig. 3: Measures against moisture penetration

**Measuring range**

The reference plane for the measuring range is the lower edge of the transducer.

Make sure that a min. distance - the so called dead zone - below the reference plane is maintained in which a measurement is not possible. The exact value of the dead zone is stated in chapter "Technical data".

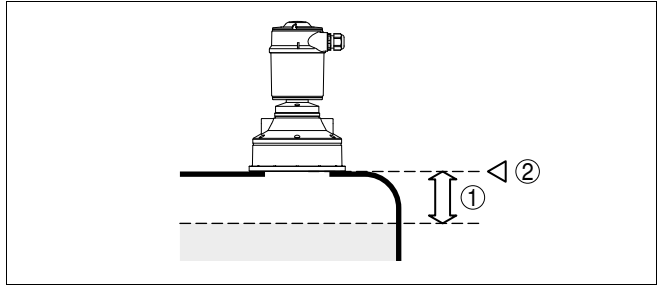


Fig. 3: Minimum distance to the max. level

- 1 Dead band
- 2 Reference plane



**Information:**

If the medium reaches the transducer, buildup can form on it and cause faulty measurements later on.

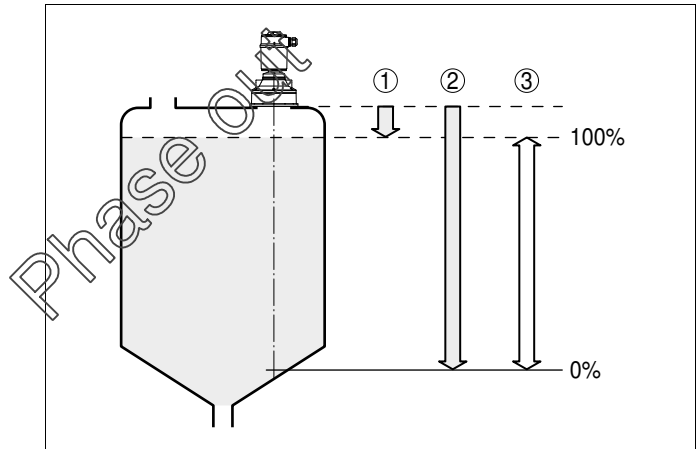


Fig. 4: Measuring range (operating range) and max. measuring distance

- 1 full
- 2 empty (max. measuring distance)
- 3 Measuring range

**Pressure/Vacuum**

Gauge pressure in the vessel does not influence LEVEL TRANSMITTER 8178. Low pressure or vacuum does, however, damp the ultrasonic pulses. This influences the measuring result, particularly if the level is very low. With pressures under -0.2 bar (-20 kPa) you should use a different measuring principle, e.g. radar or guided microwave.

## 4.2 Mounting instructions

### Mounting position

When mounting LEVEL TRANSMITTER 8178, keep a distance of at least 200 mm (7.874 in) to the vessel wall. If the sensor is installed in the center of dished or round vessel tops, multiple echoes can arise. These can, however, be suppressed by an appropriate adjustment (see chapter "Setup").

If you cannot keep this distance you should carry out a false echo storage before setup. This applies mainly if buildup on the vessel wall is expected. In this case, we recommend repeating a false echo storage later with existing buildup.

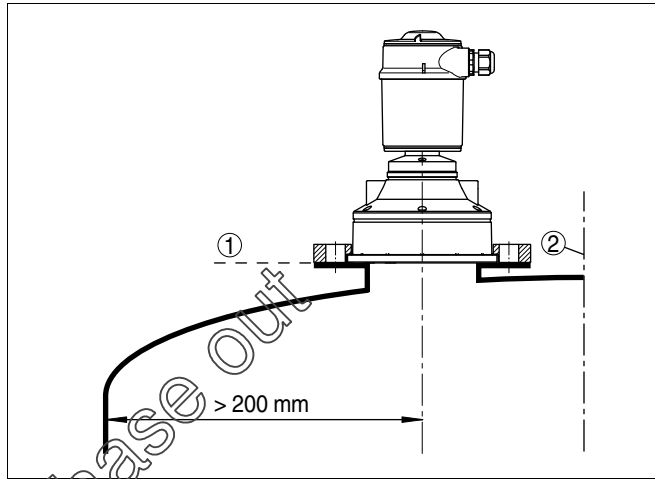


Fig. 5: Mounting on round vessel tops  
 1 Reference plane  
 2 Vessel center or symmetry axis

In vessels with conical bottom it can be advantageous to mount the sensor in the center of the vessel, as measurement is then possible down to the lowest point of the vessel bottom.

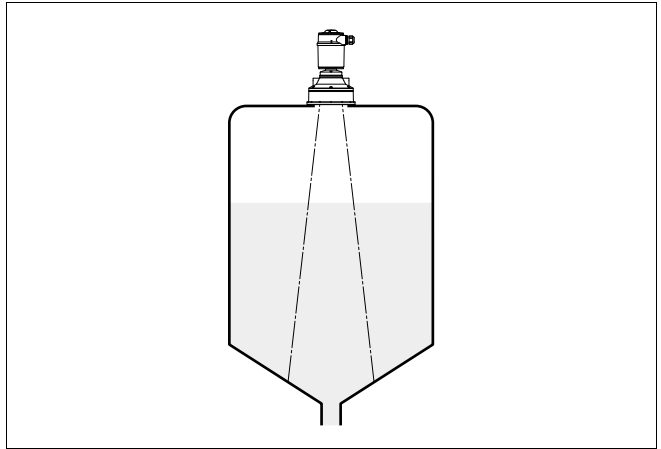


Fig. 6: Vessel with conical bottom

Preferably the transducer should be mounted flush to the vessel top.

If the reflective properties of the medium are good, you can mount LEVEL TRANSMITTER 8178 on a socket piece. You will find recommended values for socket heights in the following illustration. The socket end should be smooth and burr-free, if possible also rounded. Carry out a false echo storage.

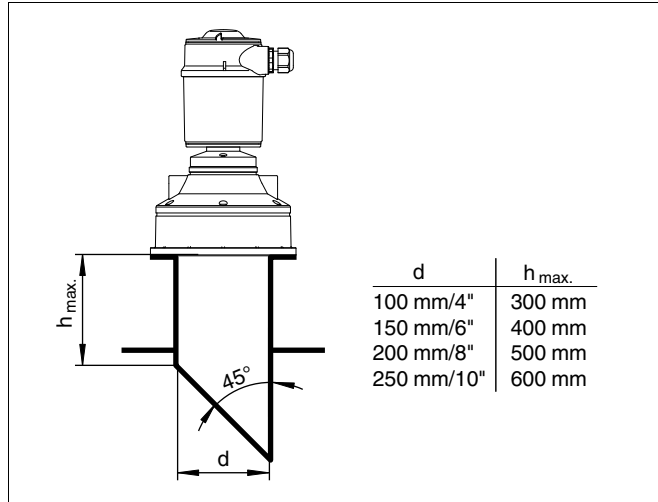
**Sensor orientation**

Fig. 7: Deviating socket dimensions

Align the sensor in liquids as vertical as possible to the product surface to achieve optimum measuring results.

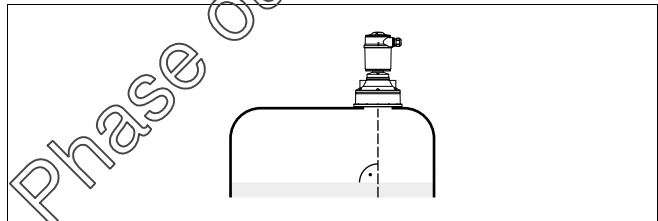


Fig. 8: Alignment in liquids

To optimally align the sensor to solid products, a swivelling holder (mounting strap) can be implemented.

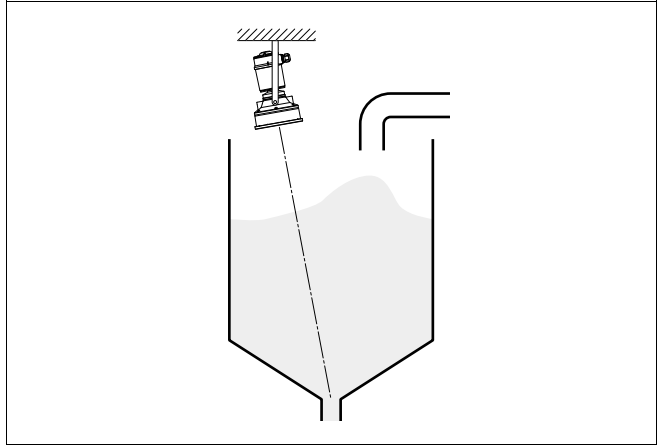


Fig. 9: Orientation in solids

To reduce the min. distance to the medium, you can also mount LEVEL TRANSMITTER 8178 with a beam deflector. By doing this, it is possible to fill the vessel nearly to maximum. Such an arrangement is suitable primarily for open vessels such as e.g. overflow basins.

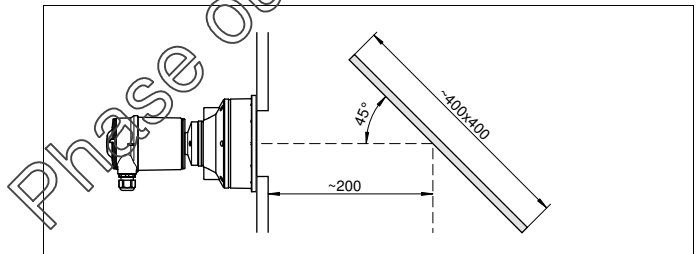


Fig. 10: Beam deflector

**Vessel installations**

The ultrasonic sensor should be installed at a location where no installations cross the ultrasonic beam.

Vessel installations such as for example, ladders, limit switches, heating spirals, struts etc. can cause false echoes that interfere with the useful echo. Make sure when planning your measuring site that the ultrasonic signals have a "clear view" to the measured product.

In case of existing vessel installations, a false echo storage should be carried out during setup.

If large vessel installations such as struts or supports cause false echoes, these can be attenuated through supplementary measures. Small, inclined sheet metal or plastic baffles above the installations scatter the ultrasonic signals and avoid direct false echoes.

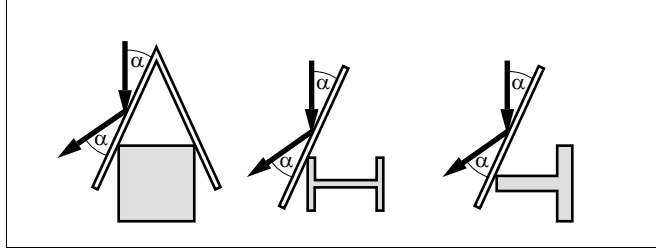


Fig. 11: Cover smooth profiles with deflectors

If there are agitators in the vessel, a false echo storage should be carried out with the agitators in motion. This ensures that the interfering reflections from the agitators are saved with the blades in different positions.

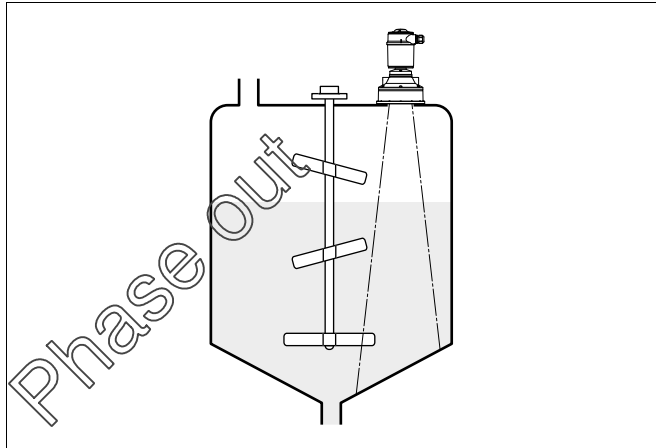


Fig. 12: Agitators

### Inflowing medium

Do not mount the instruments in or above the filling stream. Make sure that you detect the product surface, not the inflowing product.



MAN 100009263 ML Version: A Statu PO (Phase out) printed: 29.01.2015

**Foam**

**Air turbulences**

**Standpipe measurement**

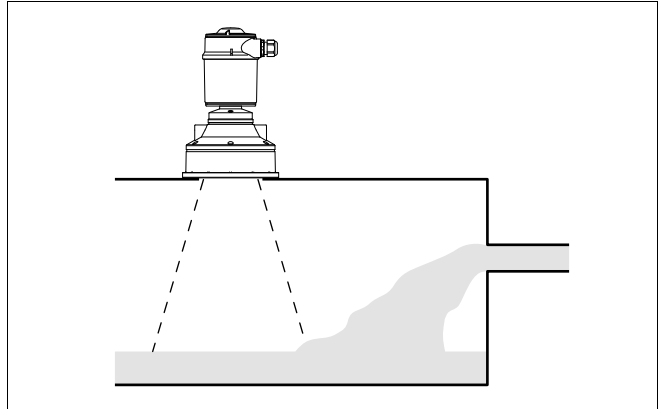


Fig. 13: *Inflowing liquid*

Through the action of filling, stirring and other processes in the vessel, dense foams which considerably damp the emitted signals may form on the product surface.

If foams are causing measurement errors, the sensor should be used in a standpipe or, alternatively, the more suitable guided radar sensors (TDR) should be used.

Guided radar is unaffected by foam generation and is particularly suitable for such applications.

If there are strong air currents in the vessel, e.g. due to strong winds in outdoor installations or air turbulence, e.g. by cyclone extraction you should mount LEVEL TRANSMITTER 8178 in a standpipe or use a different measuring principle, e.g. radar or guided radar (TDR).

By using a standpipe (surge or bypass tube), the influence of vessel installations, foam generation and turbulence is excluded.

Standpipes must extend all the way down to the requested min. level, as measurement is only possible within the tube.

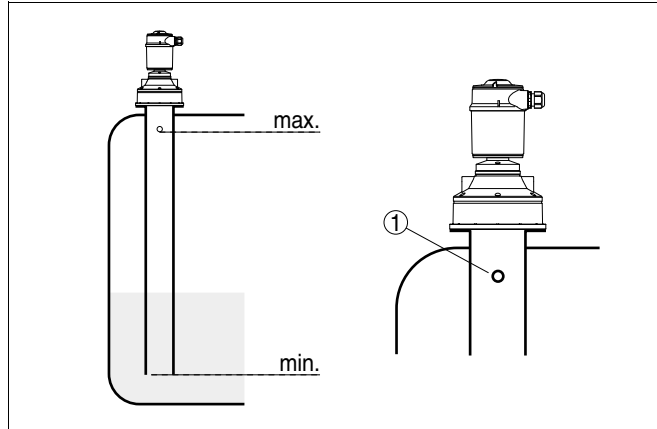


Fig. 14: Standpipe in tank  
 1 Vent hole  $\varnothing$  5 ... 10 mm

LEVEL TRANSMITTER 8178 can be used with tube diameters from 100 mm.

Avoid large gaps and thick welding joints when connecting the tubes. Generally carry out a false echo storage.

Measurement in a standpipe is not recommended for adhesive products.

Phase Out

## 5 Connecting to power supply

### 5.1 Preparing the connection

MAN 100098263 ML Version: A Status: PO (Phase out) printed: 22.01.2015

#### Take note safety instructions

Always keep in mind the following safety instructions:

- Connect only in the complete absence of line voltage
- If overvoltage surges are expected, overvoltage arresters should be installed

#### Take note of safety instructions for Ex applications



In hazardous areas you should take note of the appropriate regulations, conformity and type approval certificates of the sensors and power supply units.

#### Select power supply

Power supply and current signal are carried on the same two-wire cable. The voltage supply range can differ depending on the instrument version.

The data for power supply are specified in chapter "*Technical data*".

Provide a reliable separation between the supply circuit and the mains circuits according to DIN VDE 0106 part 101.

Bear in mind the following factors regarding supply voltage:

- Output voltage of the power supply unit can be lower under nominal load (with a sensor current of 20.5 mA or 22 mA in case of fault message)
- Influence of additional instruments in the circuit (see load values in chapter "*Technical data*")

#### Selecting connection cable

The instrument is connected with standard two-wire cable without screen. If electromagnetic interference is expected which is above the test values of EN 61326 for industrial areas, screened cable should be used.

Use cable with round cross-section. A cable outer diameter of 5 ... 9 mm (0.2 ... 0.35 in) ensures the seal effect of the cable gland. If you are using cable with a different diameter or cross-section, exchange the seal or use a suitable cable gland.

#### Cable screening and grounding

If screened cable is necessary, connect the cable screen on both ends to ground potential. In the sensor, the screen must be connected directly to the internal ground terminal. The ground terminal on the outside of the housing must be connected to the potential equalisation (low impedance).

If potential equalisation currents are expected, the connection on the processing side must be made via a ceramic capacitor (e. g. 1 nF, 1500 V). The low frequency potential equalisation currents are thus suppressed, but the protective effect against high frequency interference signals remains.

**Select connection cable for Ex applications**

Take note of the corresponding installation regulations for Ex applications. In particular, make sure that no potential equalisation currents flow over the cable screen. In case of grounding on both sides this can be achieved by the use of a capacitor or a separate potential equalisation.

## 5.2 Connection procedure

Proceed as follows:

- 1 Unscrew the housing cover
- 2 If an indicating and adjustment module is installed, remove it by turning it slightly to the left.
- 3 Loosen compression nut of the cable entry
- 4 Remove approx. 10 cm (4 in) of the cable mantle, strip approx. 1 cm (0.4 in) insulation from the ends of the individual wires
- 5 Insert the cable through the cable gland into the sensor
- 6 Lift the opening levers of the terminals with a screwdriver (see following illustration)
- 7 Insert the wire ends into the open terminals according to the wiring plan
- 8 Press down the opening levers of the terminals, you will hear the terminal spring closing
- 9 Check the hold of the wires in the terminals by lightly pulling on them
- 10 Connect the screen to the internal ground terminal, connect the outer ground terminal with potential equalisation
- 11 Tighten the compression nut of the cable entry. The seal ring must completely encircle the cable
- 12 Screw the housing cover on

The electrical connection is finished.



Fig. 15: Connection steps 6 and 7

### 5.3 Wiring plan, single chamber housing

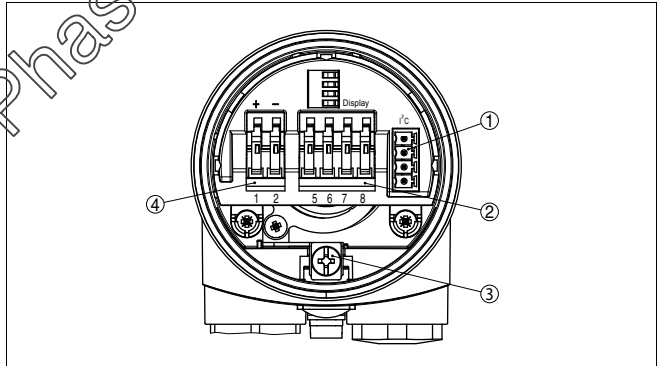


Fig. 16: Electronics and connection compartment, single chamber housing

- 1 Service interface
- 2 Spring-loaded terminals for connection of an external indication
- 3 Ground terminal for connection of the cable screen
- 4 Spring-loaded terminals for voltage supply

MAN 100008263 ML Version: A Status: PO (Phase out) | Phase out | printed: 29.01.2015

electronics and connection compartment

## Wiring plan

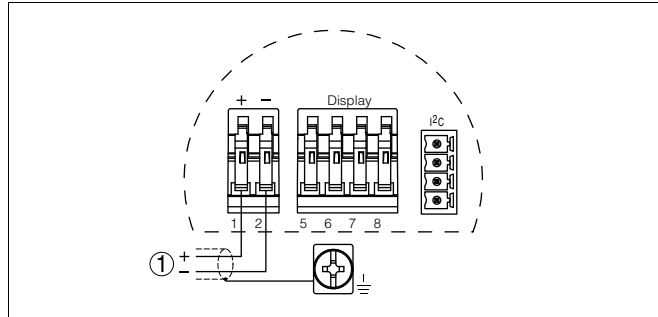


Fig. 17: Wiring plan, single chamber housing

1 Voltage supply/Signal output

## Switch on phase

### 5.4 Switch on phase

After connecting LEVEL TRANSMITTER 8178 to power supply or after a voltage recurrence, the instrument carries out a self-check for approx. 30 seconds:

- Internal check of the electronics
- Indication of the instrument type, the firmware as well as the sensor TAGs (sensor designation)
- Output signal jumps briefly (approx. 10 seconds) to the set fault current

Then the corresponding current is outputted to the cable (the value corresponds to the actual level as well as the settings already carried out, e.g. factory setting).

Phase Out

## Function/Configuration

## Mount/Dismount indicating and adjustment module

# 6 Set up with the indicating and adjustment module

## 6.1 Short description

The indicating and adjustment module is used for measured value indication, adjustment and diagnoses. It can be used in all sensors of the LEVEL TRANSMITTER family.

From a hardware version ...- 01 or higher of the indicating and adjustment module, i.e. the corresponding sensor electronics, an integrated backlight can be switched on via the adjustment menu. The hardware version is stated on the type label of the indicating and adjustment module or the sensor electronics.



### Note:

You can find detailed information on adjustment in the operating instructions manual "*Indicating and adjustment module*".

## 6.2 Insert indicating and adjustment module

The indicating and adjustment module can be inserted into the sensor and removed again at any time. It is not necessary to interrupt the power supply.

For mounting, proceed as follows:

- 1 Unscrew the housing cover
  - 2 Place the indicating and adjustment module in the desired position of the electronics (you can choose any one of four different positions - each displaced by 90°)
  - 3 Press the indicating and adjustment module onto the electronics and turn it to the right until it snaps in.
  - 4 Screw housing cover with inspection window tightly back on
- Removal is carried out in reverse order.

The indicating and adjustment module is powered by the sensor, an additional connection is not necessary.

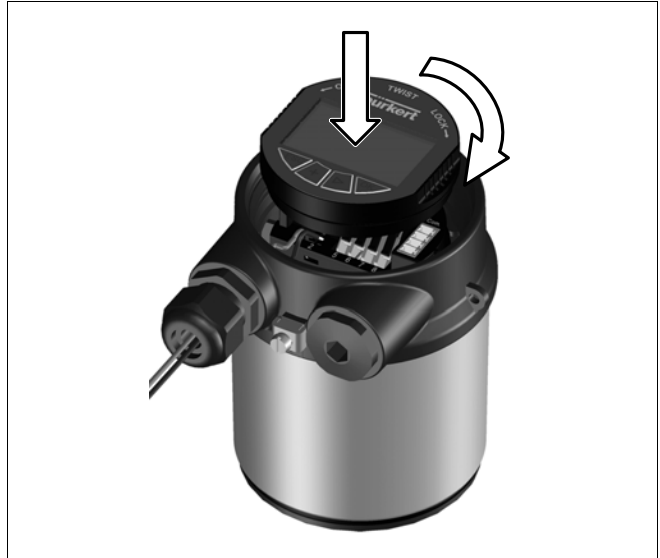


Fig. 18: Mounting the indicating and adjustment module



**Note:**  
If you intend to retrofit the instrument with an indicating and adjustment module for continuous measured value indication, a higher cover with an inspection glass is required.

Phase out



### 6.3 Adjustment system

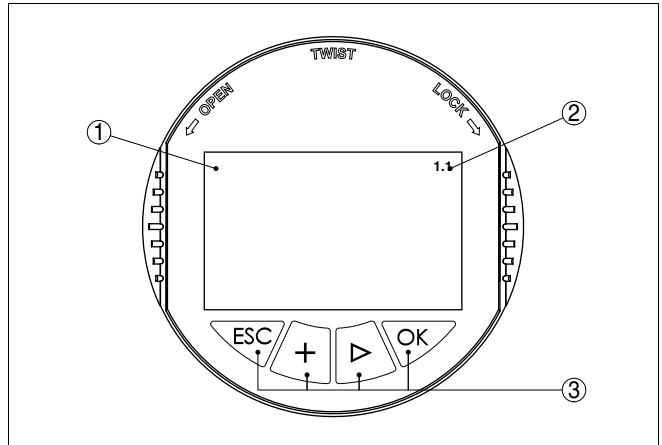


Fig. 19: Indicating and adjustment elements  
 1 LC display  
 2 Indication of the menu item number  
 3 Adjustment keys

#### Key functions

- **[OK]** key:
  - Move to the menu overview
  - Confirm selected menu
  - Edit parameter
  - Save value
- **[>]** key to select:
  - menu change
  - list entry
  - Select editing position
- **[+]** key:
  - Change value of the parameter
- **[ESC]** key:
  - interrupt input
  - jump to the next higher menu

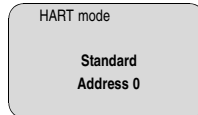
#### Adjustment system

The sensor is adjusted via the four keys of the indicating and adjustment module. The LC display indicates the individual menu items. The functions of the individual keys are shown in the above illustration. Approx. 10 minutes after the last pressing of a key, an automatic reset to measured value indication is triggered. Any values not confirmed with **[OK]** will not be saved.

## 6.4 Setup procedure

### Address setting HART-Multidrop

In HART-Multidrop mode (several sensors on one input) the address must be set before continuing with the parameter adjustment. You will find a detailed description in the operating instructions manual of the "*Indicating and adjustment module*".



### Parameter adjustment

As LEVEL TRANSMITTER 8178 is a distance measuring instrument, the distance from the sensor to the product surface is measured. To have the real product level displayed, an allocation of the measured distance to the percentage height must be made. To carry out this adjustment, the distance is entered with full and empty vessel. If these values are not known, an adjustment with the distance values, e.g. 10 % and 90 % is also possible. Starting point for these distance specifications is always the lower side of the flange, with all other versions the lower side of the transducer.

The actual level is then calculated on the basis of these entered values. At the same time, the operating range of the sensor is limited from maximum range to the requested range.

The real product level during this adjustment is not important, because the min./max. adjustment is always carried out without changing the product level. These settings can be made ahead of time without the instrument having to be installed.

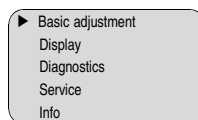
In the main menu item "*Basic adjustment*", the individual submenu items should be selected one after the other and provided with the correct parameter values.

Start your parameter adjustment with the following menu items of the basic adjustment:

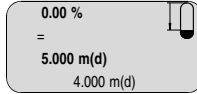
### Carrying out min. adjustment

Proceed as follows:

- 1 Move from the measured value display to the main menu by pushing **[OK]**.



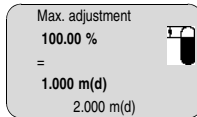
- 2 Select the menu item "*Basic adjustment*" with **[->]** and confirm with **[OK]**. Now the menu item "*Min. adjustment*" is displayed.



- 3 Prepare the % value for editing with **[OK]** and set the cursor to the requested position with **[->]**. Set the requested percentage value with **[+]** and save with **[OK]**. The cursor jumps now to the distance value.
- 4 Enter the suitable distance value in m for the empty vessel (e.g. distance from the sensor to the vessel bottom) corresponding to the percentage value.
- 5 Save the settings with **[OK]** and move to "Max. adjustment" with **[->]**.

**Carrying out max. adjustment**

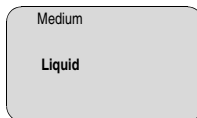
Proceed as follows:



- 1 Prepare the % value for editing with **[OK]** and set the cursor to the requested position with **[->]**. Set the requested percentage value with **[+]** and save with **[OK]**. The cursor jumps now to the distance value.
- 2 Enter the appropriate distance value in m (corresponding to the percentage value) for the full vessel. Keep in mind that the max. level must lie below the dead band.
- 3 Save the settings with **[OK]** and move to "Medium selection" with **[->]**.

**Medium selection**

Each product has different reflective properties. In addition, there are various interfering factors which have to be taken into account: agitated product surfaces and foam generation (with liquids); dust generation, material cones and echoes from the vessel wall (with solids). To adapt the sensor to these different conditions, you should first select "Liquid" or "Solid".



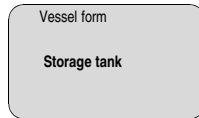
With solids, you can also choose between "Powder/Dust", "Granular/Pellets" or "Ballast/Pebbles".

Through this additional selection, the sensor is adapted perfectly to the product and measurement reliability, particularly in products with bad reflective properties, is considerably increased.

## Vessel form

Enter the requested parameter via the appropriate keys, save your settings and jump to the next menu item with the [**->**] key.

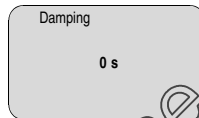
Apart from the medium, the vessel shape can also influence the measurement. To adapt the sensor to these measuring conditions, this menu item offers different options depending on whether liquid or solid is selected. With "*Liquids*" these are "*Storage tank*", "*Stilling tube*", "*Open vessel*" or "*Stirred vessel*", with "*Solid*", "*Silo*" or "*Bunker*".



Enter the requested parameter via the appropriate keys, save your settings and jump to the next menu item with the [**->**] key.

## Damping

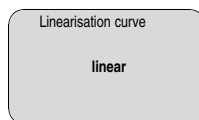
To suppress fluctuations in the measured value display, e. g. caused by an agitated product surface, a damping can be set. This time can be between 0 and 999 seconds. Keep in mind that the reaction time of the entire measurement will then be longer and the sensor will react to measured value changes with a delay. In general, a period of a few seconds is sufficient to smooth the measured value display.



Enter the requested parameter via the appropriate keys, save your settings and jump to the next menu item with the [**->**] key.

## Linearisation curve

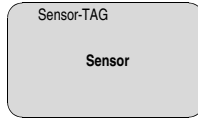
A linearization is necessary for all vessels in which the vessel volume does not increase linearly with the level - e. g. with a cylindrical or spherical tank - and the indication or output of the volume is required. Corresponding linearization curves are preprogrammed for these vessels. They represent the correlation between the level percentage and vessel volume. By activating the appropriate curve, the volume percentage of the vessel is displayed correctly. If the volume should not be displayed in percent but e.g. in l or kg, a scaling can be also set in the menu item "*Display*".



Enter the requested parameter via the appropriate keys, save your settings and jump to the next menu item with the [**->**] key.

**Sensor-TAG**

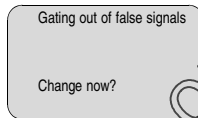
In this menu item you can enter an unambiguous designation for the sensor, e.g. the measurement loop name or the tank or product designation. In digital systems and in the documentation of larger plants, a singular designation should be entered for exact identification of individual measuring sites.



With this menu item, the Basic adjustment is finished and you can now jump to the main menu with the **[ESC]** key.

**Gating out of false signals**

High sockets or vessel installations, such as e. g. struts or agitators as well as buildup and weld joints on the vessel walls cause interfering reflections which can impair the measurement. A false echo storage detects and marks these false echoes, so that they are no longer taken into account for the level measurement. A false echo memory should be created with low level so that all potential interfering reflections will be detected.



Proceed as follows:

- 1 Move from the measured value display to the main menu by pushing **[OK]**.
- 2 Select the menu item "Service" with **[->]** and confirm with **[OK]**. Now the menu item "False signal suppression" is displayed.
- 3 Confirm "False signal suppression - Change now" with **[OK]** and select in the below menu "Create new". Enter the actual distance from the sensor to the product surface. All false signals in this area are detected by the sensor and saved after confirming with **[OK]**.



**Note:**

Check the distance to the product surface, because if an incorrect (too large) value is entered, the existing level will be saved as false signal. The filling level would then no longer be detectable in this area.

**Copy sensor data**

This function enables reading out parameter adjustment data as well as writing parameter adjustment data into the sensor via the indicating and adjustment module. A description of the function is available in the operating instructions manual "Indicating and adjustment module".

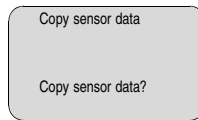
The following data are read out or written with this function:

- Measured value presentation

- Adjustment
- Medium
- Vessel form
- Damping
- Linearisation curve
- Sensor-TAG
- Displayed value
- Display unit
- Scaling
- Current output
- Unit of measurement
- Language

The following safety-relevant data are **not** read out or written:

- HART mode
- PIN



### Basic adjustment

If the function "Reset" is carried out, the sensor resets the values of the following menu items to the reset values (see chart):<sup>1)</sup>

Function	Reset value
Max. adjustment	0 m(d)
Min. adjustment	Meas. range end in m(d) <sup>2)</sup>
Medium	Liquid
Vessel form	not known
Damping	0 s
Linearisation	linear
Sensor-TAG	Sensor
Displayed value	Distance
Current output - characteristics	4 ... 20 mA
Current output - max. current	20 mA
Current output - min. current	4 mA
Current output - failure	< 3.6 mA
Unit of measurement	m(d)

The values of the following menu items are *not* reset to the reset values (see chart) with "Reset":

- <sup>1)</sup> Sensor-specific basic adjustment.
- <sup>2)</sup> Depending on the sensor type, see chapter "Technical data".

Function	Reset value
Lighting	no reset
Language	no reset
HART mode	no reset

**Factory setting**

Like basic adjustment, furthermore special parameters are reset to default values.<sup>3)</sup>

**Pointer**

The min. and max. distance and temperature values are reset to the actual value.

**Optional settings**

Additional adjustment and diagnosis options such as e.g. scaling, simulation or trend curve presentation are shown in the following menu schematic. You will find a detailed description of these menu items in the operating instructions manual "*Indicating and adjustment module*".

Phase out

<sup>3)</sup> Special parameters are parameters which are set customer-specifically on the service level with the adjustment software PACTware.

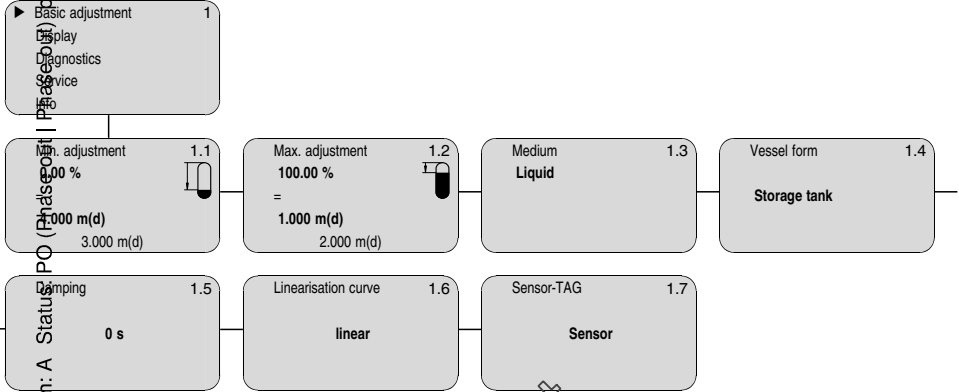
## 6.5 Menu plan ultrasonic sensor



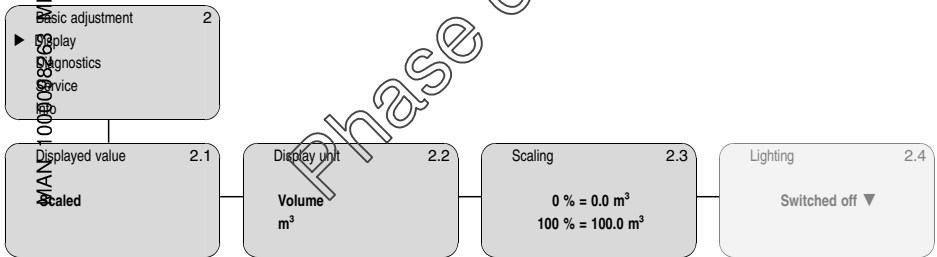
### Information:

Depending on the version and application, the highlighted menu windows are not always available.

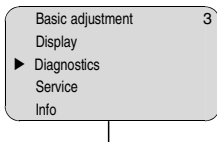
### Basic adjustment



### Display

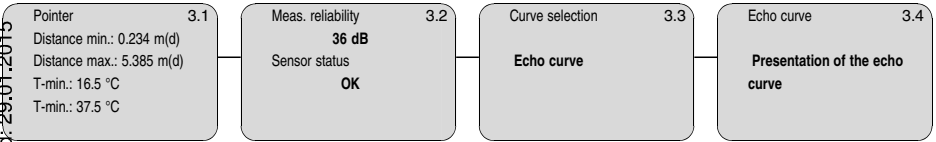


### Diagnostics

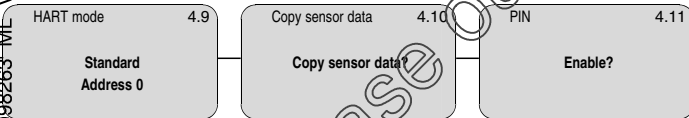
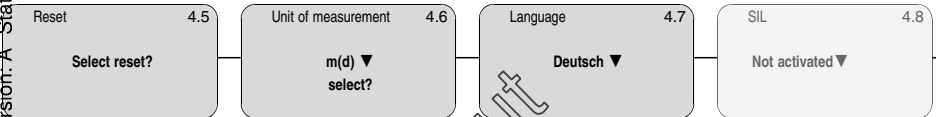
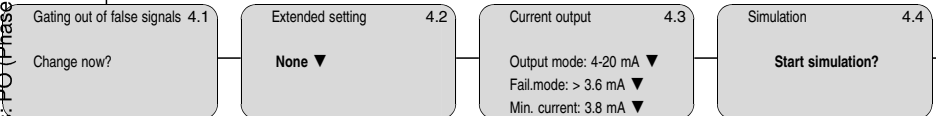
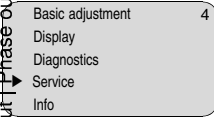




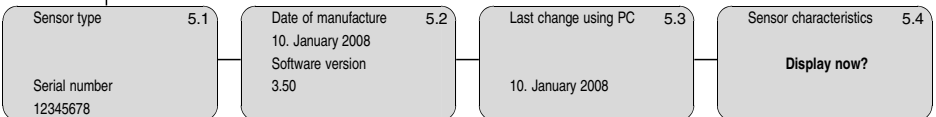
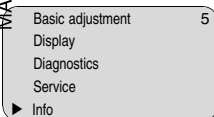
MAN-1000098263-ML- Version: A Status: PO (Phase out) Printed: 29.01.2015



**Service**



**Info**



Phase out



**Fault messages via the Indicating/adjustment module**

- ? E013
  - no measured value available
  - sensor in boot phase
  - Sensor does not find an echo, e.g. due to faulty installation or wrong parameter adjustment
  
- ? E017
  - Adjustment span too small
  - Carry out a fresh adjustment and increase the distance between min. and max. adjustment
  
- ? E036
  - no operable sensor software
  - Carry out a software update or send the instrument for repair
  
- ? E041
  - Hardware error, electronics defective
  - Exchange instrument or return instrument for repair

**Reaction after fault rectification**

Depending on the failure reason and measures taken, the steps described in chapter "Set up" must be carried out again, if necessary.

Phase out

MAN 1000098263 ML Version: 01 Status: PO (Phase out | Phase out) printed: 29.01.2014

## 8 Dismounting

### 8.1 Dismounting steps

**Warning:**

Before dismantling, be aware of dangerous process conditions such as e.g. pressure in the vessel, high temperatures, corrosive or toxic products etc.

Take note of chapters "*Mounting*" and "*Connecting to power supply*" and carry out the listed steps in reverse order.

### 8.2 Disposal

The instrument consists of materials which can be recycled by specialised recycling companies. We use recyclable materials and have designed the electronics to be easily separable.

**WEEE directive 2002/96/EG**

This instrument is not subject to the WEEE directive 2002/96/EG and the respective national laws. Pass the instrument directly on to a specialised recycling company and do not use the municipal collecting points. These may be used only for privately used products according to the WEEE directive.

Correct disposal avoids negative effects to persons and environment and ensures recycling of useful raw materials.

Materials: see chapter "*Technical data*"

If you have no possibility to dispose of the old instrument professionally, please contact us concerning return and disposal.

## 9 Supplement

### 9.1 Technical data

#### General data

Materials, wetted parts	
Process fitting	UP
Transducer diaphragm	1.4571
Seal transducer diaphragm/process fitting	EPDM
Materials, non-wetted parts	
Mounting strap	1.4301
Compression flange	PPH, 316L
Housing	plastic PBT (Polyester), 316L
Seal between housing and housing cover	Silicone
Inspection window in housing cover for indicating and adjustment module	Polycarbonate
Ground terminal	316Ti/316L
Weight	2.7 ... 25.7 kg (6 ... 12.6 lbs), depending on the process fitting and housing

#### Output variable

Output signal	4 ... 20 mA/HART
HART output values	
HART value (Primary Value)	Distance to the level
HART value (Secondary Value)	Temperature
HART value (3rd Value)	Distance to the level - scaled
Signal resolution	1.6 µA
Failure signal current output (adjustable)	mA-value unchanged 20.5 mA, 22 mA, < 3.6 mA
Current limitation	22 mA
Load	see load diagram under Power supply
Damping (63 % of the input variable)	0 ... 999 s, adjustable
Fulfilled NAMUR recommendations	NE 43

#### Input variable

Measured value	distance between lower edge of the transducer and product surface
Measuring range	
- Liquids	up to 15 m (49.21 ft)
- Bulk solids	up to 7 m (22.97 ft)

Dead band 0.6 m (1.969 ft)

**Accuracy (similar to DIN EN 60770-1)**

Reference conditions according to DIN EN 61298-1

- Temperature +18 ... +30 °C (+64 ... +86 °F)
- Relative humidity 45 ... 75 %
- Air pressure 860 ... 1060 mbar/86 ... 106 kPa (12.5 ... 15.4 psig)

**Deviation in characteristics and characteristics<sup>4)</sup>**

- Average temperature coefficient of the zero signal (temperature error) 0.06 %/10 K
- Resolution, general max. 1 mm
- Ultrasonic frequency 35 kHz
- Interval > 2 s (dependent on the parameter adjustment)
- Beam angle at 3 dB 3°
- Adjustment time<sup>5)</sup> > 3 s (dependent on the parameter adjustment)
- Accuracy better than 0.2 % or ±6 mm (see diagram)

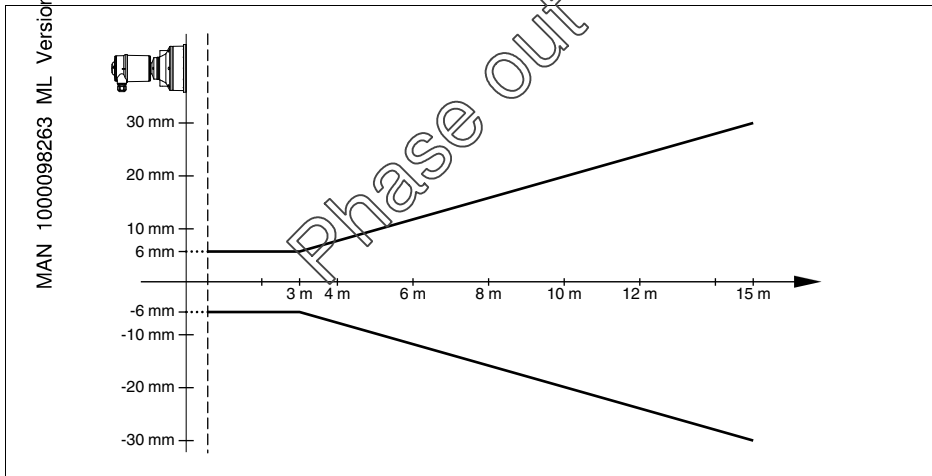


Fig. 20: Accuracy LEVEL TRANSMITTER 8178

**Ambient conditions**

Ambient, storage and transport temperature -40 ... +80 °C (-40 ... +176 °F)

<sup>4)</sup> Relating to the nominal range, incl. hysteresis and repeatability, determined according to the limit point method.

<sup>5)</sup> Time to output the correct level (with max. 10 % deviation) after a sudden level change.

**Process conditions**

Process pressure	
with compression flange	-20 ... 100 kPa/-0.2 ... 1 bar (-2.9 ... 14.5 psi)
with mounting strap	0 kPa, since no seal possibility
Process temperature (transducer temperature)	-40 ... +80 °C (-40 ... +176 °F)
Vibration resistance	mechanical vibrations with 4 g and 5 ... 100 Hz <sup>6)</sup>

**Electromechanical data**

Cable entry	1 x cable gland M20 x 1.5 (cable: ø 5 ... 9 mm), 1 x blind stopper M20 x 1.5
Spring-loaded terminals for wire cross-section up to	2.5 mm <sup>2</sup> (AWG 14)

**Indicating and adjustment module**

Voltage supply and data transmission	through the sensor
Indication	LC display in dot matrix
Adjustment elements	4 keys
Protection	
unassembled	IP 20
mounted into the sensor without cover	IP 40
Materials	
Housing	ABS
Inspection window	Polyester foil

**Power supply**

Operating voltage	14 ... 36 V DC
Operating voltage with lighted indicating and adjustment module <sup>7)</sup>	20 ... 36 V DC
Permissible residual ripple	
– < 100 Hz	U <sub>ss</sub> < 1 V
– 100 Hz ... 10 kHz	U <sub>ss</sub> < 10 mV
Load	see diagram

<sup>6)</sup> Tested according to the regulations of German Lloyd, GL directive 2.

<sup>7)</sup> For instruments with national approvals such as e.g. according to CSA, only available at a later date.

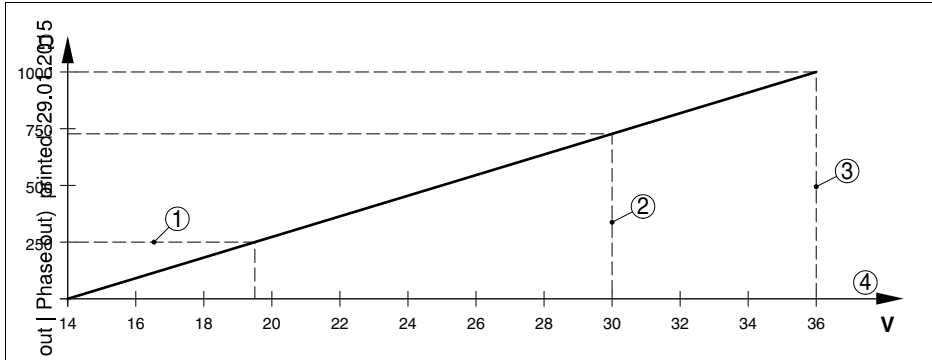


Fig. 1: Voltage diagram

- 1 HART load
- 2 meaningless
- 3 Voltage limit
- 4 operating voltage

**Electrical protective measures**

Protection	IP 66/IP 67
Overvoltage category	III
Protection class	II

Phase out

MAN 1000098263



## 9.2 Dimensions

### Housing

MAN 1000098263 ML Version: A Status: RO (Phase-out | Phase-out) printed: 29.01.2015

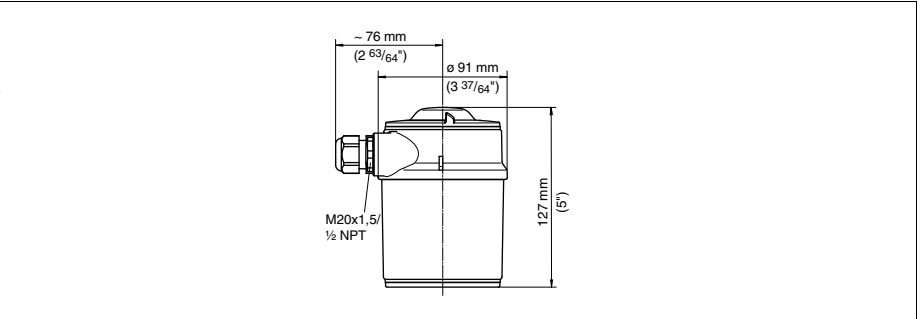


Fig. 22: Housing

Phase out



MAN 1000098263 ML Version: A Status: PO (Phase out | Phase out) printed: 29.01.2015

Phase out

MAN 1000098263 ML Version: A Status: PO (Phase out | Phase out) printed: 29.01.2015

Phase out

The smart choice  
of Fluid Control Systems  
[www.burkert.com](http://www.burkert.com)

  
FLUID CONTROL SYSTEMS

**Subject to change without prior notice**

**32060-EN-081121**

# Mise en service



Phase out

**LEVEL TRANSMITTER  
8178**

4 ... 20 mA/HART

## Sommaire

<b>1 A propos de ce document</b>	
1.1 Fonction . . . . .	4
1.2 Personnes concernées . . . . .	4
1.3 Symbolique utilisée . . . . .	4
<b>2 Pour votre sécurité</b>	
2.1 Personnel autorisé . . . . .	5
2.2 Définition de l'application . . . . .	5
2.3 Avertissement en cas de fausse manipulation . . . . .	5
2.4 Consignes de sécurité générales . . . . .	5
2.5 Caractéristiques et remarques de sécurité . . . . .	6
2.6 Conformité CE . . . . .	6
2.7 Compatibilité selon NAMUR NE 53 . . . . .	6
2.8 Consignes de sécurité pour atmosphères Ex . . . . .	6
<b>3 Description du produit</b>	
3.1 Présentation . . . . .	7
3.2 Procédé de fonctionnement . . . . .	8
3.3 Réglage et configuration . . . . .	8
3.4 Emballage, transport et stockage . . . . .	8
<b>4 Montage</b>	
4.1 Remarques générales . . . . .	10
4.2 Consignes de montage . . . . .	12
<b>5 Raccordement à la tension d'alimentation</b>	
5.1 Préparation du raccordement . . . . .	19
5.2 Étapes de raccordement . . . . .	20
5.3 Schéma de raccordement du boîtier à chambre unique . . . . .	21
5.4 Phase de mise en route . . . . .	22
<b>6 Mise en service avec le module de réglage et d'affichage</b>	
6.1 Description succincte . . . . .	23
6.2 Insérer le module de réglage et d'affichage . . . . .	23
6.3 Système de réglage . . . . .	25
6.4 Étapes de mise en service . . . . .	26
6.5 Plan des menus capteur ultrasonique . . . . .	32
<b>7 Entretien de l'appareil et élimination des défauts</b>	
7.1 Maintenance . . . . .	34
7.2 Éliminer les défauts . . . . .	34
<b>8 Démontage</b>	
8.1 Étapes de démontage . . . . .	36
8.2 Recyclage . . . . .	36

**9 Annexe**

9.1	Caractéristiques techniques . . . . .	37
9.2	Encombrement . . . . .	41

Phase out

**Documentation complémentaire**



**Information:**

Suivant la version commandée, une documentation complémentaire fera partie de la livraison. Elle vous sera indiquée au chapitre "Description du produit".

# 1 A propos de ce document

## 1.1 Fonction

La présente notice technique contient les informations nécessaires vous permettant un montage, un raccordement et une mise en service de l'appareil ainsi que des remarques importantes concernant l'entretien et l'élimination des défauts. Il est donc important de la lire avant d'effectuer la mise en service et de la conserver près de l'appareil, accessible à tout moment comme partie intégrante du produit.

## 1.2 Personnes concernées

Cette notice technique s'adresse à un personnel spécialisé et qualifié. Ces spécialistes doivent avoir connaissance de son contenu et le mettre en pratique.

## 1.3 Symbolique utilisée



### Informations, remarques

Sous ce symbole, vous trouverez des informations complémentaires très utiles.



**Prudence** : Le non-respect de cette recommandation peut entraîner des pannes ou des défauts de fonctionnement.

**Avertissement** : Le non-respect de cette instruction peut porter préjudice à la personne manipulant l'appareil et/ou peut entraîner de graves dommages à l'appareil.

**Danger** : Le non-respect de cet avertissement peut entraîner des blessures sérieuses à la personne manipulant l'appareil et/ou peut détruire l'appareil.



### Applications Ex

Vous trouverez à la suite de ce symbole des remarques particulières concernant les applications Ex.



### Liste

Ce point précède une énumération, dont l'ordre chronologique n'est pas obligatoire.



### Etape de déroulement d'une action

Cette flèche indique le pas de déroulement d'une action.



### Chronologie de déroulement d'une action

Le déroulement d'une action est numéroté dans son ordre chronologique.



## 2 Pour votre sécurité

### 2.1 Personnel autorisé

Toutes les manipulations sur l'appareil indiquées dans cette notice ne doivent être effectuées que par un personnel qualifié, spécialisé et autorisé par l'exploitant de l'installation.

Portez toujours l'équipement de protection personnel nécessaire en travaillant sur et avec l'appareil.

### 2.2 Définition de l'application

Le LEVEL TRANSMITTER 8178 est un capteur pour la mesure de niveau continue.

Vous trouverez des informations plus détaillées concernant le domaine d'application au chapitre "*Description du produit*".

La sécurité de fonctionnement n'est seulement assurée qu'à condition d'un usage conforme de l'appareil en respectant les indications stipulées dans le manuel de mise en service et dans d'éventuelles notices complémentaires.

Pour des raisons de sécurité et de garantie, toute intervention sur l'appareil en dehors des manipulations indiquées dans le manuel de mise en service est strictement réservée à des personnes autorisées par le fabricant de l'appareil. Il est explicitement interdit de procéder de son propre chef à des transformations ou modifications sur l'appareil.

### 2.3 Avertissement en cas de fausse manipulation

En cas d'usage non conforme ou non approprié, il peut émaner de l'appareil des risques spécifiques à l'application. Un montage incorrect ou un réglage erroné peut entraîner par exemple un débordement de cuve ou des dégâts dans les composants de l'installation.

### 2.4 Consignes de sécurité générales

L'appareil correspond au standard technologique actuel et respecte les règlements et directives usuels. L'utilisateur doit suivre scrupuleusement les consignes de sécurité de cette notice, les standards d'installation spécifiques au pays concerné ainsi que les dispositions de sécurité et règles de préventions d'accidents en vigueur.

L'appareil ne doit fonctionner que dans un état technique impeccable et sûr. L'exploitant est responsable d'un fonctionnement sans perturbation de l'appareil.

Pendant toute la durée d'utilisation de l'appareil, l'exploitant doit en plus vérifier que les mesures nécessaires de sécurité du travail concordent avec les normes actuelles en vigueur et que les nouvelles réglementations y soient incluses et respectées.

## 2.5 Caractéristiques et remarques de sécurité

Les caractéristiques et remarques de sécurité se trouvant sur l'appareil sont à respecter.

## 2.6 Conformité CE

L'appareil est conforme à la réglementation CE concernant les directives de compatibilité électromagnétique (89/336/CEE) et de basse tension (73/23/CEE) et satisfait à la recommandation NAMUR NE 21.

La conformité s'applique aux normes suivantes :

- CEM :
  - Emission NE 61326 : 1997 (classe A)
  - Immission EN 61326 : 1997/A1 : 1998
- DBT : NE 61010-1 : 2001

## 2.7 Compatibilité selon NAMUR NE 53

En ce qui concerne la compatibilité, la recommandation NAMUR NE 53 est satisfaite. Cela est valable également pour les composants de réglage et d'affichage y appartenant.

Vous pouvez effectuer le paramétrage des fonctions de base du capteur indépendamment de la version logicielle. Les fonctions proposées dépendent de la version logicielle respective de chacun des composants.

Vous pouvez prendre connaissance de la version logicielle de votre capteur LEVEL TRANSMITTER 8178 comme suit :

- sur la plaque signalétique de l'électronique
- via le module de réglage et d'affichage

## 2.8 Consignes de sécurité pour atmosphères Ex

Respectez les consignes de sécurité spécifiques pour les applications Ex. Celles-ci font partie intégrale du manuel de mise en service et sont jointes avec agrément Ex à la livraison de chaque appareil Ex.

## 3 Description du produit

### 3.1 Présentation

MAN 1000098263 ML Version: A Status: PO (Phase out) | Phase out | printed: 2010.01.2015

#### Compris à la livraison

La livraison comprend :

- Capteur ultrasonique LEVEL TRANSMITTER 8178
- En option étrier de montage et/ou bride tournante
- Documentation
  - Ce manuel de mise en service
  - Manuel de mise en service "*Module de réglage et d'affichage*" (en option)
  - Le cas échéant d'autres certificats

#### Composants

L'appareil LEVEL TRANSMITTER 8178 se compose des éléments suivants :

- Raccord process avec transducteur
- Boîtier avec électronique
- Couverture du boîtier, en option avec module de réglage et d'affichage

Les composants sont disponibles en différentes versions.

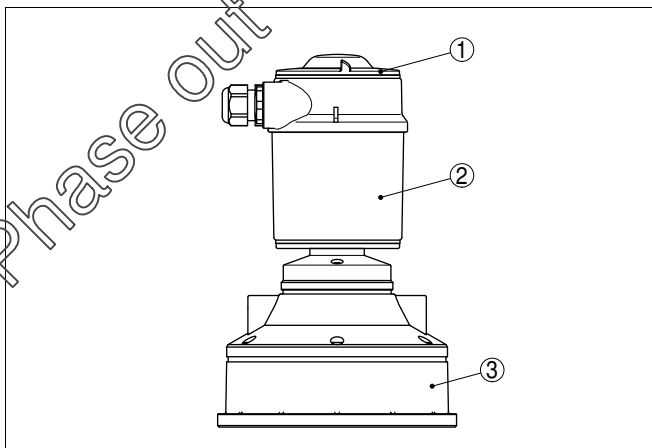


Fig. 1: LEVEL TRANSMITTER 8178

- 1 Couverture de boîtier avec module de réglage et d'affichage intégré (en option)
- 2 Boîtier avec électronique
- 3 Raccord process avec transducteur

## Domaine d'application

## 3.2 Procédé de fonctionnement

L'appareil LEVEL TRANSMITTER 8178 est un capteur ultrasonique destiné à la mesure de niveau continue. Il est conçu pour la mesure de liquides et de solides en vrac dans la quasi totalité des secteurs industriels.

## Principe de fonctionnement

Le transducteur du capteur émet de courtes impulsions ultrasoniques vers le produit à mesurer. Ces impulsions sont réfléchies par la surface du produit et réceptionnées à nouveau par le transducteur en qualité d'échos. Le temps de propagation entre émission et réception des impulsions est directement proportionnel à la distance entre transducteur et produit et donc à la hauteur de remplissage. La hauteur de remplissage ainsi calculée est convertie en un signal de sortie approprié et délivrée sous forme de valeur de mesure.

## Alimentation tension

Electronique bifilaire 4 ... 20 mA/HART pour alimentation de tension et transmission de la valeur de mesure sur la même ligne.

La plage de tension d'alimentation peut différer en fonction de la version de l'appareil.

Vous trouverez les données concernant l'alimentation de tension au chapitre "*Caractéristiques techniques*".

L'éclairage de fond du module de réglage et d'affichage est alimenté par le capteur. Pour cela, il est nécessaire que la tension d'alimentation atteigne une certaine valeur.

Vous trouverez les données concernant l'alimentation de tension au chapitre "*Caractéristiques techniques*".

## 3.3 Réglage et configuration

Le LEVEL TRANSMITTER 8178 vous offre différentes techniques de réglage :

- avec module de réglage et d'affichage
- avec une console de programmation HART

Les paramètres saisis seront mémorisés dans le capteur LEVEL TRANSMITTER 8178 et en option également dans le module de réglage et d'affichage.

## 3.4 Emballage, transport et stockage

## Emballage

Durant le transport jusqu'à son lieu d'application, votre appareil a été protégé par un emballage dont la résistance aux contraintes de transport usuelles a fait l'objet d'un test selon DIN EN 24180.

**Transport**

Pour les appareils standards, cet emballage est en carton non polluant et recyclable. Pour les versions spéciales, on utilise en plus de la mousse ou des feuilles de polyéthylène. Faites en sorte que cet emballage soit recyclé par une entreprise spécialisée de récupération et de recyclage.

**Inspection de transport**

Le transport doit s'effectuer en tenant compte des indications faites sur l'emballage de transport. Le non-respect peut entraîner des dommages à l'appareil.

La livraison doit être vérifiée immédiatement après réception quant à son intégralité et à d'éventuels dommages de transport. Des dommages de transport constatés ou des vices cachés sont à traiter en conséquence.

**Stockage**

Les colis sont à conserver fermés jusqu'au montage en veillant à respecter les marquages de positionnement et de stockage apposés à l'extérieur.

Sauf autre indication, entreposez les colis en respectant les conditions suivantes :

- Ne pas entreposer à l'extérieur
- Entreposer dans un lieu sec et sans poussière
- Ne pas exposer à des produits agressifs
- Protéger contre les rayons de soleil
- Eviter des secousses mécaniques
- Température de transport et de stockage voir au chapitre "Annexe - Caractéristiques techniques - Conditions ambiantes"
- Humidité relative de l'air 20 ... 85 %

## 4 Montage

### 4.1 Remarques générales

Position de montage

Choisissez la position de montage de l'appareil de façon à ce que vous puissiez facilement y avoir accès pour réaliser le montage et le raccordement ainsi que pour une installation ultérieure d'un module de réglage et d'affichage. A cet effet, vous pouvez tourner le boîtier de 330° sans outil. De plus, vous avez la possibilité d'insérer le module de réglage et d'affichage par pas de 90°.

Humidité

Utilisez les câbles recommandés (voir au chapitre "*Raccordement à l'alimentation*") et serrez bien le presse-étoupe.

Vous protégerez en plus votre appareil contre l'infiltration d'humidité en conduisant le câble de raccordement devant le presse-étoupe vers le bas. Ainsi, l'eau de pluie ou de condensat pourra s'égoutter. Cela concerne en particulier les montages à l'extérieur ou dans des lieux où il faut s'attendre à de l'humidité (due par exemple à des processus de nettoyage) ou encore dans des cuves réfrigérées ou chauffées.

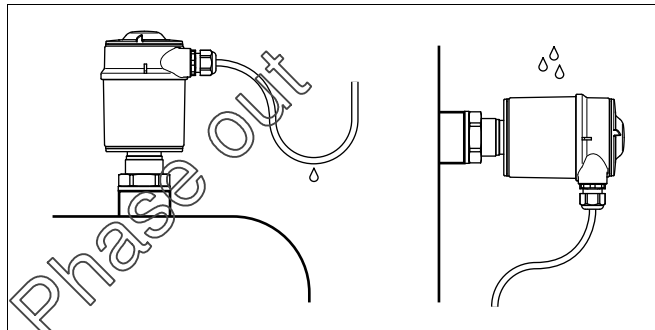


Fig. 2: Mesures prises contre l'infiltration d'humidité

Plage de mesure

Le niveau de référence pour la plage de mesure est la face inférieure du transducteur.

Veillez à ce qu'un écart minimum - appelé zone morte - soit respecté en dessous du niveau de référence. Dans cette zone morte, aucune mesure n'est possible. La valeur exacte de la zone morte vous sera indiquée au chapitre des "*Caractéristiques techniques*".

MAN 1000098263 ML Version: A Status: PO (Phase out | Phase out) printed: 01.2015

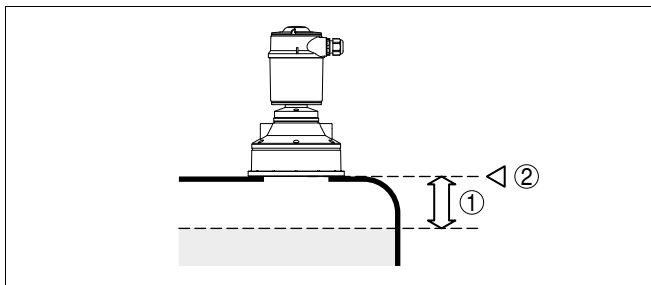


Fig. 3: Ecart minimum entre élément de mesure et hauteur de remplissage maximale

- 1 Zone morte
- 2 Niveau de référence



**Information:**

Si le produit arrive jusqu'au transducteur, il peut à la longue se former des colmatages au transducteur risquant plus tard de fausser la mesure.

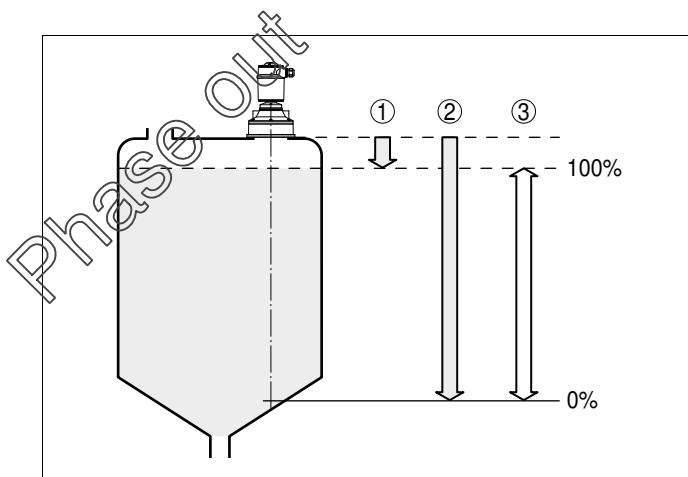


Fig. 4: Plage de mesure (plage de travail) et distance de mesure maximale

- 1 plein
- 2 Vide (distance de mesure maximale)
- 3 Plage de mesure

**Pression/sous vide**

Une surpression dans la cuve n'influence pas le capteur LEVEL TRANSMITTER 8178. Une dépression ou un vide atténué par contre les impulsions ultrasoniques. Ce qui influence le résultat de la mesure,

tout particulièrement lorsque le niveau est très bas. A partir de -0,2 bar (-20 kPa), nous vous conseillons d'utiliser un autre principe de mesure comme le radar ou le radar à impulsions guidées par exemple.

## 4.2 Consignes de montage

Installez le LEVEL TRANSMITTER 8178 à une distance d'au moins 200 mm (7.874 in) de la paroi de la cuve. Si le capteur est installé au centre d'une cuve torosphérique ou à toit bombé, il pourra se créer des échos multiples. Ceux-ci peuvent être éliminés par un réglage adéquat (voir au chapitre "*Mise en service*").

Si vous ne pouvez respecter cet écart, il faudra procéder à une mémorisation des échos parasites lors de la mise en service. Ceci est valable en particulier en cas de risque de colmatages sur les parois de la cuve. Dans ce cas, il est recommandé de recommencer la mémorisation des échos parasites lorsque les colmatages se seront formés sur la paroi.

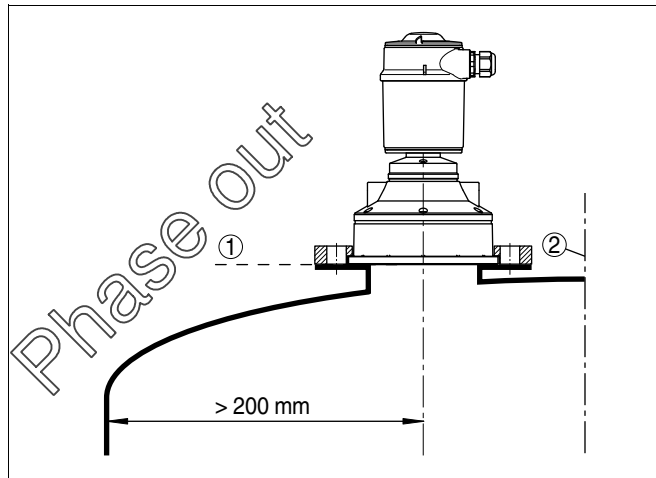


Fig. 5: Montage sur cuve à toit bombé

- 1 Niveau de référence
- 2 Centre de la cuve ou axe de symétrie



Dans les cuves à fond conique, il peut être avantageux d'installer le capteur au centre de la cuve, le capteur pouvant alors mesurer jusqu'au fond de la cuve.

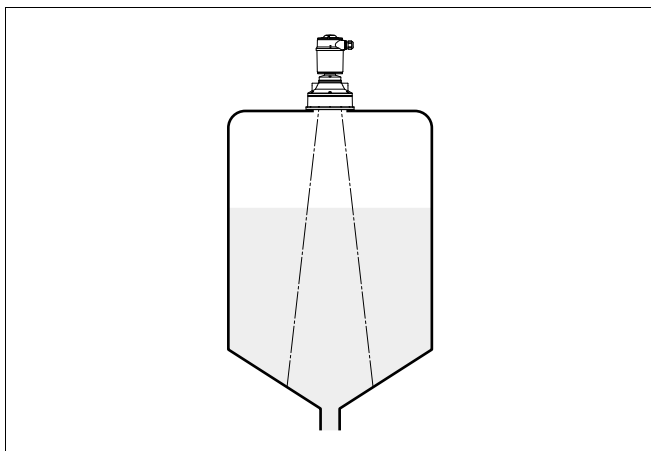


Fig. 6: Cuve à fond conique

MAN 1000098263 ML Version: A Status: PO (Phase out | Phase out) printed: 29.01.2015

#### Rehausse

Installez le transducteur de préférence arasant au toit de la cuve.

Si les propriétés de réflexion de votre produit sont bonnes, vous pouvez installer le capteur LEVEL TRANSMITTER 8178 sur une rehausse. Vous trouverez les valeurs de référence des hauteurs de rehausse dans la figure suivante. L'extrémité de la rehausse doit dans ce cas être lisse, sans bavure et arrondie si possible. Procédez ensuite à une mémorisation des signaux parasites.

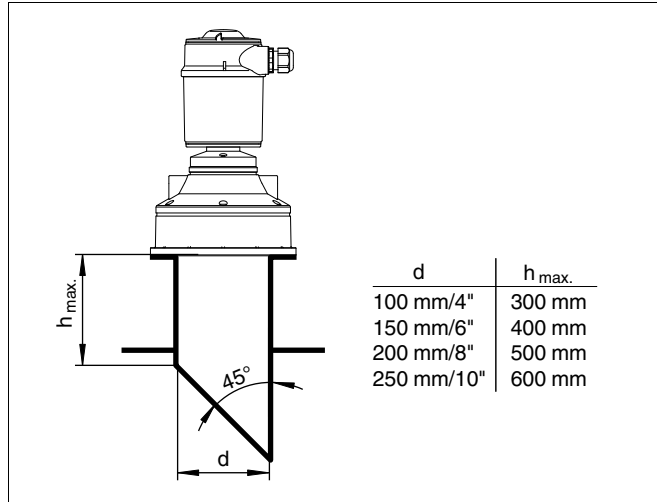


Fig. 7: Autres dimensions de rehausse

**Orientation du capteur**

Dans les liquides, orientez le capteur perpendiculairement à la surface du produit pour obtenir des résultats de mesure optimaux.

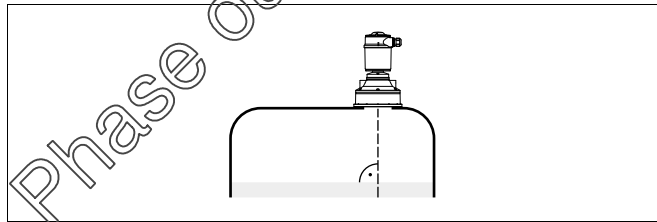


Fig. 8: Orientation du capteur dans les liquides

Pour une orientation optimale du capteur dans les solides en vrac, vous pouvez utiliser une rotule d'orientation (étrier de montage).

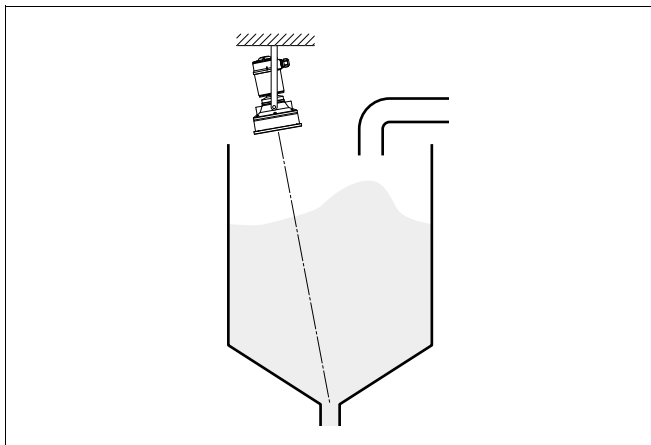


Fig. 9: Orientation dans les solides en vrac

Pour réduire la zone morte, vous pouvez installer le capteur LEVEL TRANSMITTER 8178 avec un réflecteur passif en matériau résistant à la corrosion. Ainsi, vous pourrez remplir votre cuve dans sa quasi totalité. Ce montage convient en premier lieu aux réservoirs ouverts comme les bassins d'orage par exemple.

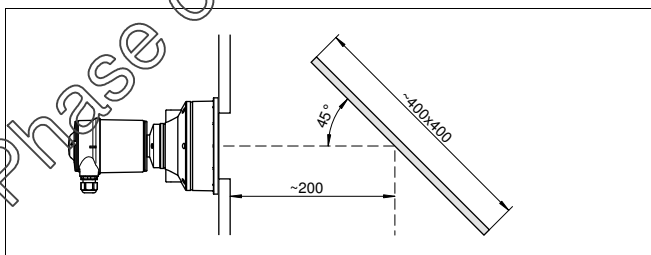


Fig. 10: Réflecteur passif

**Cuves encombrées**

Le lieu de montage de votre capteur ultrasonique doit être choisi de façon à ce qu'aucun obstacle ne croise les signaux ultrasoniques.

Des obstacles fixes dans la cuve, comme p.ex. échelles, relais à seuils, serpentins de chauffe, renforts métalliques etc. peuvent entraîner des échos parasites importants et superposer l'écho utile. Veillez lors de la conception de votre point de mesure à ce que la trajectoire des signaux ultrasoniques vers le produit soit complètement libre.

Si vous avez des obstacles fixes dans votre cuve, procédez à une mémorisation des signaux parasites lors de la mise en service.

Les échos parasites causés en particulier par des obstacles fixes (renforts métalliques p.ex.) peuvent être affaiblis par des mesures supplémentaires. De petits déflecteurs en tôle ou en plastique installés en biais au dessus de ces obstacles dispersent les signaux ultrasoniques et empêchent efficacement une réflexion directe des échos parasites.

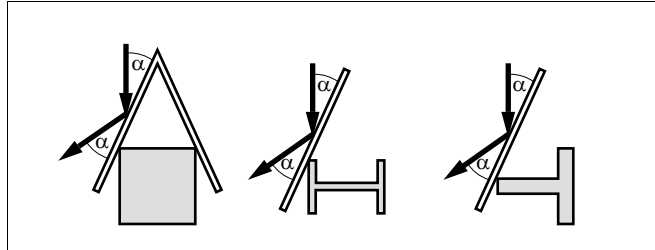


Fig. 11: Recouvrir les obstacles lisses par des déflecteurs

## Agitateurs

Si des agitateurs sont installés dans votre cuve, procédez à une mémorisation des échos parasites lorsque les agitateurs sont en marche. Ainsi, il sera possible de mémoriser les réflexions parasites causées par l'agitateur dans ses différentes positions.

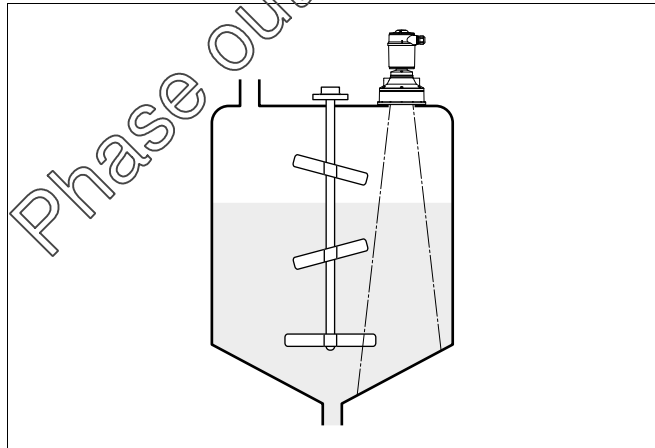


Fig. 12: Agitateurs

## Flot de produit

N'installez pas le capteur au-dessus ou dans le flot de remplissage. Son faisceau ne doit pas le croiser. Assurez-vous que l'appareil mesure la surface du produit et non le flot de remplissage.

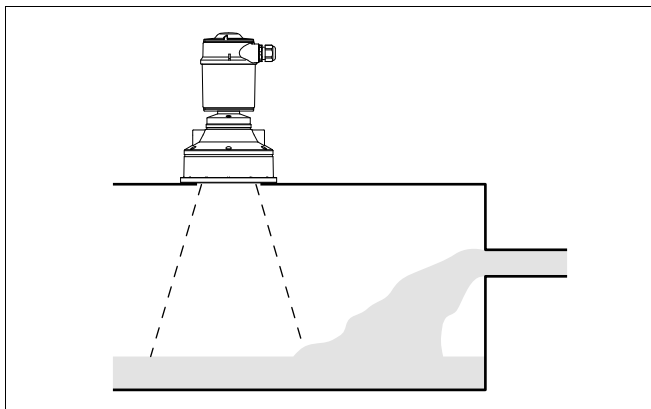


Fig. 13: Flot de liquide

### Mousse

Remplissages, agitateurs ou autres process dans la cuve peuvent conduire à une formation de mousse en partie très consistante à la surface du produit. Cette mousse est susceptible d'atténuer fortement le signal d'émission.

Si la mousse entraîne des erreurs de mesure, installez votre capteur dans un tube guide d'ondes ou utilisez des capteurs radar à impulsions guidées (TDR) qui sont mieux adaptés pour ce genre de mesure.

Le radar à impulsions guidées n'est pas influencé par la formation de mousse. Il est donc particulièrement bien approprié pour ce genre d'applications.

### Turbulences d'air

En présence de courants d'air importants dans la cuve ou de vent fort - si l'appareil est installé à l'extérieur - ou encore de turbulences d'air dans le réservoir, dues par exemple à des aspirateurs cyclones, installez le capteur LEVEL TRANSMITTER 8178 dans un tube guide d'ondes ou utilisez un autre principe de mesure comme le radar à émission libre ou le radar à impulsions guidées (TDR) par exemple.

### Mesure dans un tube guide d'ondes

La mesure dans un tube (bypass ou tranquillisateur) exclut les influences provenant de cuves encombrées, de présence de mousse ou de turbulences.

La longueur des tubes doit aller jusqu'au niveau de mesure minimum désiré, une mesure n'étant possible que dans le tube.

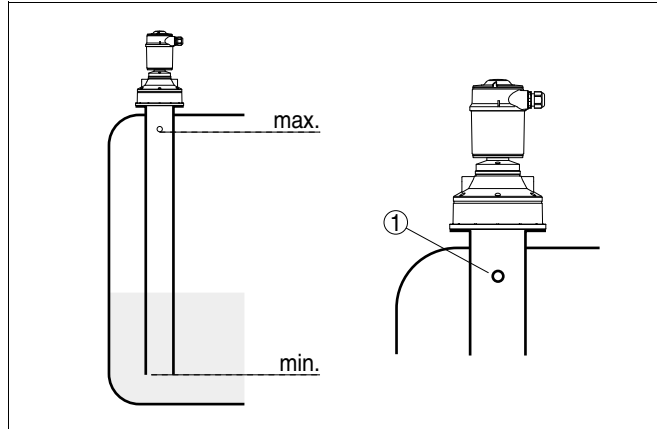


Fig. 14: Tube de mesure dans une cuve  
1 Trou d'équilibrage  $\varnothing$  5 ... 10 mm

Le capteur LEVEL TRANSMITTER 8178 peut être utilisé dans des tubes à partir d'un diamètre de 100 mm.

Évitez des fentes importantes ou des cordons de soudure épais à l'assemblage des tubes. Procédez systématiquement à une mémorisation des échos parasites.

Dans les produits tendant à colmater, la mesure dans un tube guide d'ondes n'est pas recommandée.

Phase Out

## 5 Raccordement à la tension d'alimentation

### 5.1 Préparation du raccordement

Respecter les consignes de sécurité

Respecter les consignes de sécurité pour les applications



Sélection de la tension d'alimentation

Respectez toujours les consignes de sécurité suivantes :

- Raccordez l'appareil uniquement hors tension
- En cas de risque de surtensions, installez des appareils de protection contre les surtensions.

En atmosphères explosibles, il faudra respecter les réglementations respectives et les certificats de conformité et d'homologation des capteurs et appareils d'alimentation.

L'alimentation de tension et le signal courant s'effectuent par le même câble de raccordement bifilaire. La plage de la tension d'alimentation peut différer en fonction de la version de l'appareil.

Vous trouverez les données concernant l'alimentation de tension au chapitre "*Caractéristiques techniques*".

Veillez à une séparation sûre entre le circuit d'alimentation et les circuits courant secteur selon IN VDE 0106 partie 101

Tenez compte également des influences supplémentaires suivantes en ce qui concerne la tension d'alimentation :

- La tension de sortie du bloc d'alimentation peut diminuer sous charge nominale (avec un courant capteur de 20,5 mA, ou de 22 mA en cas de signalisation de défaut).
- Influence d'autres appareils dans le circuit courant (voir valeurs de charge au chapitre "*Caractéristiques techniques*")

Sélection du câble de raccordement

L'appareil sera raccordé par du câble bifilaire usuel non blindé. Si vous vous attendez à des perturbations électromagnétiques pouvant être supérieures aux valeurs de test de la EN 61326 pour zones industrielles, il faudra utiliser du câble blindé.

Utilisez du câble de section ronde. Un diamètre extérieur du câble compris entre 5 et 9 mm (0.2 ... 0.35 in) garantit l'étanchéité du presse-étoupe. Si vous utilisez du câble d'un autre diamètre ou de section différente, changez le joint ou utilisez un presse-étoupe adéquat.

Blindage électrique du câble et mise à la terre

Si un câble blindé est nécessaire, le blindage du câble doit être relié au potentiel de terre des deux côtés. Dans le capteur, le blindage doit être raccordé directement à la borne de terre interne. La borne de terre externe se trouvant sur le boîtier doit être reliée à basse impédance au conducteur d'équipotentialité.

### Sélection du câble de raccordement pour applications Ex



Si des courants compensateurs de potentiel peuvent apparaître, il faudra relier l'extrémité du blindage côté exploitation par un condensateur en céramique (p. ex. 1 nF, 1500 V). Vous supprimerez ainsi les courants compensateurs de potentiel à basse fréquence tout en conservant la protection contre les signaux perturbateurs de haute fréquence.

Respectez les règlements d'installation en vigueur pour les applications Ex. En particulier, il est important de veiller à ce qu'aucun courant compensateur de potentiel ne circule par le blindage du câble. Si la mise à la terre est réalisée des deux côtés, vous pouvez l'éviter en utilisant un condensateur approprié comme indiqué précédemment ou en réalisant une liaison équipotentielle séparée.

## 5.2 Etapes de raccordement

Procédez comme suit :

- 1 Dévissez le couvercle du boîtier
- 2 Si un module de réglage et d'affichage est installé, enlevez-le en le tournant légèrement vers la gauche.
- 3 Desserrez l'écrou flottant du presse-étoupe.
- 4 Enlevez la gaine du câble sur 10 cm (4 in) env. et dénudez l'extrémité des conducteurs sur 1 cm (0.4 in) env.
- 5 Introduisez le câble dans l'appareil en le passant par le presse-étoupe.
- 6 Soulevez les leviers d'ouverture des bornes avec un tournevis (voir figure suivante).
- 7 Enfichez les extrémités des conducteurs dans les bornes ouvertes suivant le schéma de raccordement
- 8 Rabaissez les leviers des bornes, le ressort des bornes est bien audible au rabattement du levier.
- 9 Vérifiez la bonne fixation des fins de conducteurs dans les bornes en tirant légèrement dessus
- 10 Raccordez le blindage à la borne de terre interne et reliez la borne de terre externe à la liaison équipotentielle
- 11 Serrez bien l'écrou flottant du presse-étoupe. L'anneau d'étanchéité doit entourer complètement le câble
- 12 Revissez le couvercle du boîtier



Vous avez maintenant terminé le raccordement électrique.



Fig. 15: Etapes de raccordement 6 et 7

### 5.3 Schéma de raccordement du boîtier à chambre unique

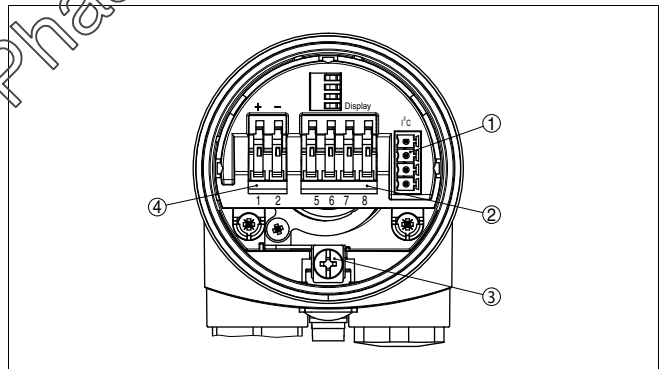


Fig. 16: Compartiment électronique et de raccordement du boîtier à chambre unique

- 1 Interface de service
- 2 Bornes auto-serrantes pour le raccordement d'un affichage externe
- 3 Borne de terre pour le raccordement du blindage du câble
- 4 Bornes auto-serrantes pour l'alimentation de tension

MA 1000098263 ML Version: A Status: PO (Phase out) | Phase out | printed: 29.01.2015

Compartiment électronique et de raccordement

## Schéma de raccordement

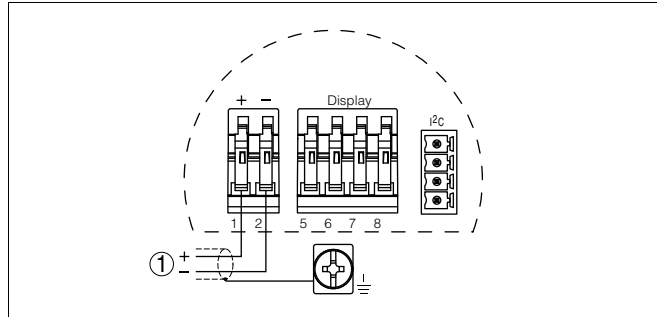


Fig. 17: Schéma de raccordement du boîtier à chambre unique  
1 Alimentation de tension/sortie signal

## 5.4 Phase de mise en route

## Phase de mise en route

Après le raccordement du LEVEL TRANSMITTER 8178 à la tension d'alimentation ou après un retour de celle-ci, l'appareil effectuera tout d'abord un autotest durant env. 30 secondes comprenant :

- La vérification interne de l'électronique
- Un affichage du type d'appareil, de la version firmware ainsi que de la TAG capteur (désignation du capteur)
- Un bond rapide du signal de sortie (env. 10 secondes) sur le courant défaut réglé

Le courant respectif sera ensuite délivré sur la ligne (les valeurs correspondent au niveau actuel ainsi qu'aux réglages déjà réalisés, p. ex. au réglage d'usine).

Phase out

fonctionnement/présentation

Monter/démonter le module de réglage et d'affichage

## 6 Mise en service avec le module de réglage et d'affichage

### 6.1 Description succincte

Le module de réglage et d'affichage sert à l'affichage des valeurs de mesure, au réglage et au diagnostic. Il peut être installé dans tous les capteurs de la famille des LEVEL TRANSMITTER.

A partir d'une version hardware ...- 01 ou supérieure du module de réglage et d'affichage et de l'électronique du capteur respective, vous pouvez enclencher un rétroéclairage intégré via le menu de configuration. Vous trouverez la version hardware respective sur la plaque signalétique du module de réglage et d'affichage ou de l'électronique du capteur.



#### Remarque:

Vous trouverez des informations détaillées dans le manuel de mise en service "*Module de réglage et d'affichage*".

### 6.2 Insérer le module de réglage et d'affichage

Vous pouvez insérer/enlever le module de réglage et d'affichage dans le/du capteur n'importe quand. Pour cela, il n'est pas nécessaire de couper la tension d'alimentation.

Pour le montage, procédez comme suit :

- 1 Dévissez le couvercle du boîtier
- 2 Posez le module de réglage et d'affichage sur l'électronique dans la position désirée (choix entre quatre positions décalées de 90°).
- 3 Mettez le module de réglage et d'affichage sur l'électronique et tournez-le légèrement vers la droite jusqu'à ce qu'il vienne s'encliqueter
- 4 Vissez fermement le couvercle du boîtier avec hublot

Le démontage s'effectue de la même façon, mais en sens inverse.

Le module de réglage et d'affichage est alimenté par le capteur, un autre raccordement n'est donc pas nécessaire.

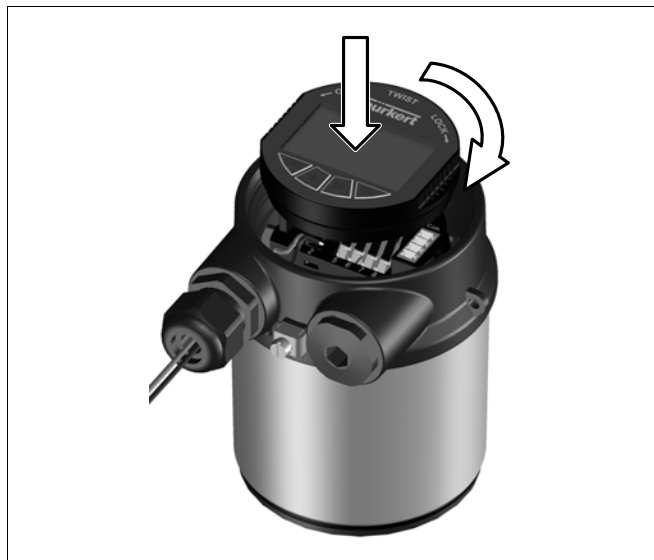


Fig. 18: Montage du module de réglage et d'affichage



**Remarque:**

Si le module de réglage et d'affichage doit demeurer définitivement dans votre appareil pour disposer en permanence d'un affichage des valeurs de mesure, il vous faudra un plus haut couvercle muni d'un hublot.

Phase out

### 6.3 Système de réglage

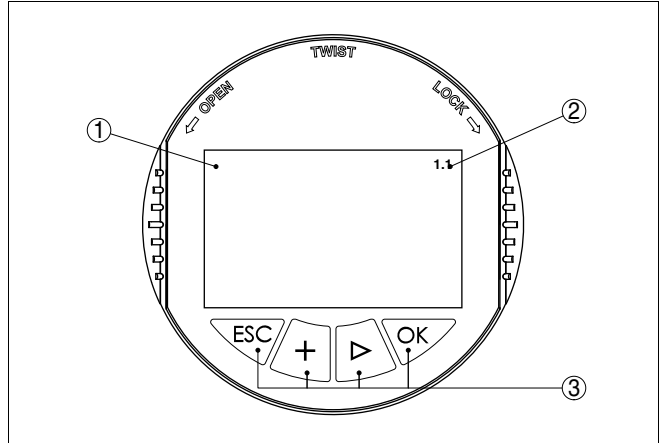


Fig. 19: Eléments de réglage et d'affichage  
 1 Affichage LCD  
 2 Affichage du numéro de menu  
 3 Touches de réglage

MAN 1000098263 ML Version: A Status: PO (Phase out) | Phase out printed: 29.01.2015

#### Fonctions des touches

- Touche **[OK]** servant à :
  - Aller vers l'aperçu des menus
  - Confirmer le menu sélectionné
  - Editer les paramètres
  - Sauvegarder la valeur
- Touche **[→]** pour :
  - Changer de menu
  - Sélectionner une mention dans la liste
  - Sélectionner une position d'édition
- Touche **[+]** servant à :
  - Modifier la valeur d'un paramètre
- Touche **[ESC]** pour :
  - Interrompre la saisie
  - Revenir au menu supérieur

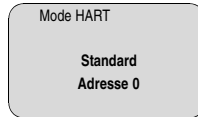
#### Système de réglage

Vous ferez le réglage de votre capteur par les quatre touches du module de réglage et d'affichage. L'afficheur LC vous indique chacun des menus et sous-menus. Les différentes fonctions vous ont été décrites précédemment. Un retour automatique à l'affichage des valeurs de mesure se fera env. 10 minutes après le dernier appui sur une touche. A ce moment là, les valeurs n'ayant pas encore été validées avec **[OK]** seront perdues.

## 6.4 Etapes de mise en service

### Réglage de l'adresse HART-Multidrop

Au mode HART-Multidrop (plusieurs capteurs à une entrée), il faut d'abord procéder au réglage de l'adresse avant d'effectuer tout autre paramétrage. Vous trouverez une description plus détaillée dans le manuel technique "*Module de réglage et d'affichage*".



### Paramétrage

Le LEVEL TRANSMITTER 8178 étant un appareil mesurant la distance, ce sera précisément la distance entre capteur et surface du produit qui sera mesurée. Pour pouvoir afficher la hauteur du produit proprement dite, il faudra procéder à une attribution de la distance mesurée par rapport au pourcentage de hauteur. Pour réaliser ce réglage, il faudra saisir la distance d'une cuve pleine et celle d'une cuve vide. Si ces distances ne sont pas connues, il sera également possible d'étalonner avec des distances de 10 % et 90 %. Le point de départ pour les valeurs de distances sera la face inférieure de la bride pour les versions à bride, pour toutes les autres versions, ce sera la face inférieure du transducteur.

Grâce à ces indications, il sera possible de calculer la hauteur de remplissage proprement dite. En même temps, cette saisie vous permettra de limiter la plage de travail du capteur du maximum à la plage réellement nécessaire.

Pour ce réglage, le niveau momentané ne joue aucun rôle. Le réglage mini./maxi sera toujours réalisé sans variation de niveau. Ainsi, ces réglages peuvent être effectués déjà à l'avance, sans avoir auparavant à installer le capteur.

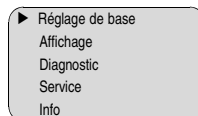
Au menu principal "*Réglage de base*", il est nécessaire pour obtenir un réglage optimal de la mesure de sélectionner les sous-menus l'un après l'autre et de leur attribuer les paramètres corrects.

Commencez maintenant votre paramétrage avec les menus suivants du réglage de base :

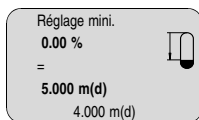
### Effectuer le réglage mini.

Procédez comme suit :

- 1 Changement de l'affichage des valeurs de mesure au menu principal en appuyant sur **[OK]**.

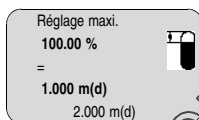


- Sélectionnez le point de menu "Réglage de base" avec [->] et confirmez avec [OK]. Il vous apparait maintenant le point de menu "Réglage mini."



- Préparez avec [OK] l'édition de la valeur pour cent et mettez le curseur avec [->] sur la position désirée. Réglez la valeur pour cent désirée avec [+] et mémorisez avec [OK]. Le curseur se déplace maintenant sur la valeur distance.
- Saisissez la valeur distance en mètre correspondant à la valeur % pour le réservoir vide (p.ex. distance entre capteur et fond de la cuve).
- Sauvegarder les réglages avec [OK] et aller avec [->] au réglage maxi.

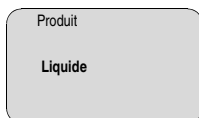
Procédez comme suit :



- Préparez avec [OK] l'édition de la valeur pour cent et mettez le curseur avec [->] sur la position désirée. Réglez la valeur pour cent désirée avec [+] et mémorisez avec [OK]. Le curseur se déplace maintenant sur la valeur distance.  
Saisissez la valeur distance en mètre correspondant à la valeur pour cent pour le réservoir plein. N'oubliez pas que le niveau maxi. doit se trouver en dessous de la zone morte.
- Mémorisez les réglages avec [OK] et allez avec [->] à la sélection du produit.

### Sélection du produit

Chaque produit possède ses propres propriétés de réflexion. Pour les liquides, on peut ajouter les surfaces agitées et la formation de mousse comme facteurs de perturbation. Pour les solides en vrac/pulvérulents, il s'agit du dégagement de poussières, du talutage et des échos supplémentaires provenant de la paroi du réservoir. Pour adapter le capteur à ces différentes conditions de mesure, il faut d'abord procéder dans ce menu à la sélection "Liquides" ou "Solides en vrac".



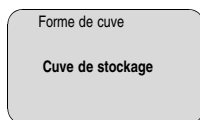
## Forme de cuve

Pour les solides en vrac/pulvérulents, vous pouvez sélectionner en plus "Poudre/Poussières", "Granulat/Pellets" ou "Cailloux/galets".

Grâce à cette sélection supplémentaire, vous adaptez votre capteur de façon optimale à votre produit et augmentez sensiblement la fiabilité de votre mesure en particulier avec des produits à mauvaises propriétés de réflexion.

Faites la saisie de vos paramètres par les touches respectives, sauvegardez votre saisie et passez avec la touche [->] au prochain menu.

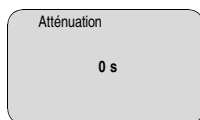
La mesure n'est pas seulement influencée par le produit, mais également par la forme du réservoir. Pour adapter le capteur aux conditions de la mesure, ce point de menu vous offre après avoir sélectionné liquides ou solides en vrac d'autres sélections possibles. Avec "Liquides", ce sera "Cuve de stockage", "Tube guide d'ondes", "Réservoir ouvert" ou "Réservoir avec agitateur", avec "Solides en vrac", ce sera "Silo" ou "Trémie".



Faites la saisie de vos paramètres par les touches respectives, sauvegardez votre saisie et passez avec la touche [->] au prochain menu.

## Atténuation

Vous pouvez régler une atténuation pour éliminer les variations à l'affichage des valeurs de mesure provenant par exemple de surfaces de produits agitées. Ce temps peut se trouver entre 0 et 999 secondes. Veuillez cependant tenir compte que le temps de réaction de toute votre mesure sera prolongé et que la réaction aux variations rapides des valeurs de mesure ne se fera qu'avec une certaine temporisation. En règle générale, un temps de quelques secondes suffira pour apaiser largement votre affichage des valeurs de mesure.



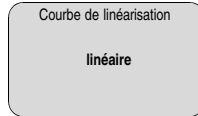
Faites la saisie de vos paramètres par les touches respectives, sauvegardez votre saisie et passez avec la touche [->] au prochain menu.

## Courbe de linéarisation

Une linéarisation est nécessaire pour tous les réservoirs dont le volume n'augmente pas linéairement avec la hauteur du niveau - par exemple dans une cuve cylindrique couchée ou dans une cuve sphérique - et lorsqu'on veut obtenir l'affichage ou la sortie du volume. Pour ces cuves, on a mémorisé des courbes de linéarisation



adéquates. Elles indiquent la relation entre le pourcentage de la hauteur du niveau et le volume de la cuve. En activant la courbe adéquate, vous obtiendrez l'affichage correct du pourcentage de volume. Si vous ne désirez pas obtenir l'affichage du volume en %, mais en litre ou en kilogramme par exemple, vous pouvez en plus régler une calibration au menu "Affichage".



Faites la saisie de vos paramètres par les touches respectives, sauvegardez votre saisie et passez avec la touche **[->]** au prochain menu.

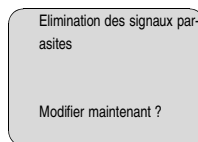
Ce menu vous permet d'attribuer au capteur une désignation claire ne prêtant à aucune confusion, comme par exemple le nom de la voie de mesure ou la désignation de la cuve/du produit. Dans les systèmes numériques ainsi que dans la documentation de grands complexes, une dénomination des points de mesure et des cuves est absolument indispensable, faute de quoi leur identification exacte ne sera pas possible.



Ce menu termine le réglage de base. Vous pouvez maintenant retourner au menu principal avec la touche **[ESC]**.

**Élimination des signaux parasites**

De grandes rehausses, des cuves encombrées avec renforts métalliques ou agitateurs ou encore des colmatages ou cordons de soudure sur les parois de la cuve sont de nature à engendrer des réflexions parasites qui peuvent fausser la mesure. Une mémorisation des signaux parasites détecte, marque et mémorise ces signaux qui ne seront plus pris en considération par le capteur lors de la mesure. Ceci doit se faire avec un faible niveau afin de pouvoir détecter toutes les réflexions parasites existantes.



Procédez comme suit :

- 1 Changement de l'affichage des valeurs de mesure au menu principal en appuyant sur **[OK]**.

- 2 Sélectionnez le menu "Service" avec [->] et validez avec [OK]. Il vous apparaît le menu "Elimination des signaux parasites".
- 3 Validez "Elimination des signaux parasites - modifier maintenant" avec [OK] et sélectionnez le menu situé en dessous "Nouvelle création". Saisissez la distance réelle du capteur à la surface du produit. Tous les signaux parasites existants dans cette plage seront saisis par le capteur et mémorisés après avoir validé avec [OK].



#### Remarque:

Vérifiez la distance entre capteur et surface du produit. La saisie d'une fausse valeur (trop grande) entraîne la mémorisation du niveau actuel comme signal parasite. Dans ce cas, le capteur ne pourra plus mesurer le niveau dans cette plage.

### Copier données capteur

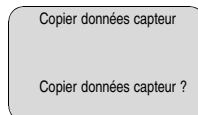
Cette fonction permet la lecture des données de paramétrage ainsi que la saisie de ces données dans le capteur via le module de réglage et d'affichage. Une description de cette fonction vous est donnée dans la notice de mise en service "Module de réglage et d'affichage".

Cette fonction permet la lecture et/ou la saisie des données suivantes :

- Représentation de la valeur de mesure
- Réglage
- Produit
- Forme de cuve
- Atténuation
- Courbe de linéarisation
- TAG capteur
- Valeur d'affichage
- Unité d'affichage
- Calibrage
- Sortie courant
- Unité de réglage
- Langue

Il n'y aura pas de lecture et de saisie pour les données suivantes importantes à la sécurité :

- Mode HART
- PIN



### Reset

#### Réglage de base

Si vous réalisez la fonction "Reset", le capteur remettra les valeurs des points de menus suivants aux valeurs reset (voir tableau) :<sup>1)</sup>

<sup>1)</sup> Réglage de base spécifique au capteur.

Fonction	Valeur reset
Réglage maxi.	0 m(d)
Réglage mini.	Fin de la plage de mesure en m(d) <sup>2)</sup>
Produit	Liquide
Forme de cuve	Inconnue
Atténuation	0 s
Linéarisation	linéaire
TAG capteur	Capteur
Valeur d'affichage	Distance
Sortie courant - courbe caractéristique	4 ... 20 mA
Sortie courant - courant maxi.	20 mA
Sortie courant - courant mini.	4 mA
Sortie courant - panne	< 3,6 mA
Unité de réglage	m(d)

En effectuant un "Reset", les valeurs des menus suivants **ne seront pas** remises aux valeurs reset (voir tableau) :

Fonction	Valeur reset
Eclairage	Pas de reset
Langue	Pas de reset
Mode HART	Pas de reset

### Etalonnage d'usine

Comme réglage de base, mais les paramètres spéciaux seront remis en plus aux valeurs default.<sup>3)</sup>

### Index suiveur

Les valeurs distance mini. et maxi. et les valeurs température seront remises à la valeur actuelle.

### Réglages optionnels

Des possibilités supplémentaires de réglage et de diagnostic comme par exemple le calibrage de l'affichage, la simulation ou la représentation de la courbe de tendance vous seront indiquées au plan des menus suivant . Une description plus détaillée de ces points de menus vous sera donnée dans la notice de mise en service du "Module de réglage et d'affichage".

2) Suivant le type de capteur, voir aux "Caractéristiques techniques".  
 3) Les paramètres spéciaux sont des paramètres qui seront réglés selon les spécifications du client au niveau du menu service via le logiciel de configuration PACTware.

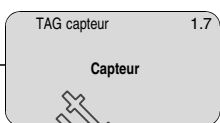
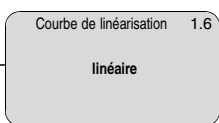
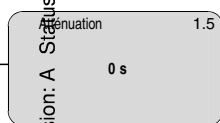
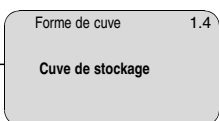
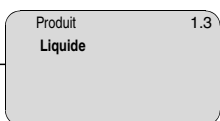
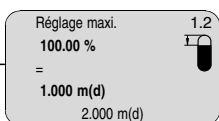
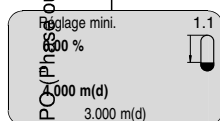
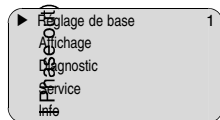
## 6.5 Plan des menus capteur ultrasonique



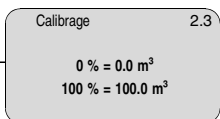
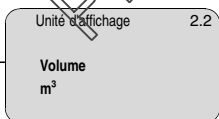
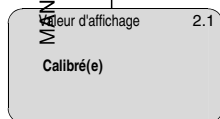
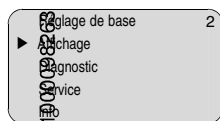
### Information:

Les fenêtres de menus représentées en gris-clair ne seront pas toujours disponibles. Elles dépendent de votre équipement et de votre installation.

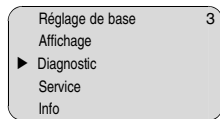
### Réglage de base

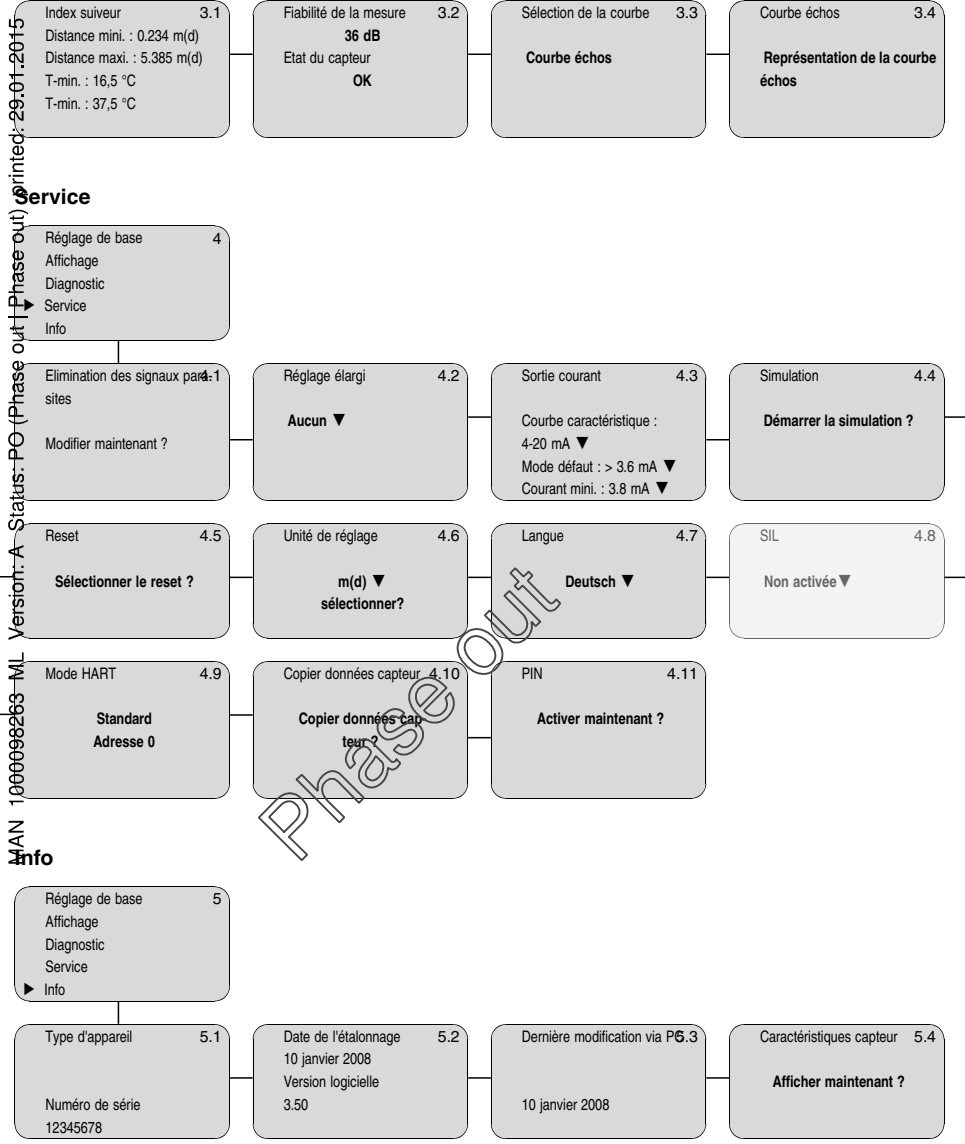


### Affichage



### Diagnostic





## 7 Entretien de l'appareil et élimination des défauts

### 7.1 Maintenance

A condition d'un maniement approprié, aucun entretien particulier ne sera nécessaire en fonctionnement normal.

### 7.2 Eliminer les défauts

#### Comportement en cas de pannes

C'est à l'exploitant de l'installation qu'il incombe la responsabilité de prendre les mesures appropriées pour éliminer les défauts survenus.

#### Causes des défauts

Une très haute sécurité de fonctionnement est garantie. Toutefois, des défauts peuvent apparaître pendant le fonctionnement de l'appareil. Ces défauts peuvent par exemple avoir les causes suivantes :

- Capteur
- Process
- Alimentation tension
- Exploitation des signaux

#### Elimination des défauts

Il est important de vérifier tout d'abord le signal de sortie et d'analyser les signalisations de défaut apparaissant sur le module de réglage et d'affichage. La procédure vous sera décrite par la suite.

#### Vérifier le signal

##### 4 ... 20 mA

Raccordez au capteur un multimètre portable dans la plage adéquate suivant le schéma de raccordement.

##### ? Manque de stabilité du signal 4 ... 20 mA

- Variations de niveau
- Réglez l'atténuation via le module de réglage et d'affichage

##### ? Manque de signal 4 ... 20 mA

- Mauvais raccordement
- Vérifiez le raccordement selon le chapitre "*Etapas de raccordement*" et corrigez-le si besoin est selon le chapitre "*Schéma de raccordement*"
- Aucune alimentation tension
- Vérifiez s'il y a une rupture de lignes et réparez-la si besoin est
- Tension de service trop basse ou résistance de charge trop haute
- Vérifiez et adaptez si nécessaire

##### ? Signal courant supérieur à 22 mA ou inférieur à 3,6 mA

- Préamplificateur défectueux
- Remplacez l'appareil ou retournez-le au service réparation



Pour les applications Ex, il faut respecter les règles concernant l'interconnexion des circuits courant de sécurité intrinsèque.

### Signalisations de défaut via le module de réglage et d'affichage

- ? E013
  - Aucune valeur de mesure existante.
  - Capteur en phase de mise en route
  - Le capteur ne trouve aucun écho en raison d'une mauvaise installation ou d'un faux paramétrage.
- ? E017
  - Echelle de mesure trop petite
  - Recommencez le réglage en augmentant l'écart entre le réglage mini. et le réglage maxi.
- ? E036
  - Software du capteur ne fonctionne pas
  - Faites une mise à jour du logiciel ou retournez l'appareil au service réparation
- ? E041
  - Erreur de matériel (hardware), électronique défectueuse
  - Remplacez l'appareil ou retournez-le au service réparation

### Comportement après l'élimination des défauts

Suivant la cause du défaut et les mesures prises pour l'éliminer, il faudra le cas échéant recommencer les étapes de déroulement d'une action décrites au chapitre "*Mise en service*".

Phase out

## 8 Démontage

### 8.1 Etapes de démontage



#### Attention !

Avant de démonter l'appareil, prenez garde aux conditions de process dangereuses comme p. ex. pression dans la cuve, hautes températures, produits agressifs ou toxiques etc.

Suivez les indications des chapitres "*Montage*" et "*Raccordement à l'alimentation*" et procédez de la même manière mais en sens inverse.

### 8.2 Recyclage

L'appareil se compose de matériaux recyclables par des entreprises spécialisées. A cet effet, l'électronique a été conçue facilement détachable et les matériaux utilisés sont recyclables.

#### Directive WEEE 2002/96/CE

Le présent appareil n'est pas soumis à la directive WEEE 2002/96/CE et aux lois nationales respectives. Amenez l'appareil directement à une entreprise de recyclage spécialisée et n'utilisez pas les points de récupération communaux. Ceux-ci sont destinés uniquement à des produits à usage privé conformément à la réglementation WEEE.

Une récupération professionnelle évite les effets négatifs pouvant agir sur l'homme et son environnement tout en préservant la valeur des matières premières par un recyclage adéquat.

Matériaux : voir au chapitre "*Caractéristiques techniques*"

Au cas où vous n'auriez pas la possibilité de faire recycler l'ancien appareil par une entreprise spécialisée, contactez-nous, nous vous conseillerons sur les possibilités de reprise et de recyclage.



## 9 Annexe

### 9.1 Caractéristiques techniques

#### Caractéristiques générales

Matériaux, en contact avec le produit	
Raccord process	UP
Membrane du transducteur	1.4571
Joint d'étanchéité membrane du transducteur/raccord process	EPDM
Matériaux, sans contact avec le produit	
Etrier de montage	1.4301
Bride tournante	PPH, 316L
Boîtier	plastique PBT (Polyester), 316L
Joint entre boîtier et couvercle du boîtier	silicone
Hublot sur le couvercle du boîtier pour module de réglage et d'affichage	polycarbonate
Borne de terre	316Ti/316L
Poids	2,7 ... 5,7 kg (6 ... 12.6 lbs), en fonction du raccord process et du boîtier

#### Grandeur de sortie

Signal de sortie	4 ... 20 mA/HART
Valeurs de sortie HART	
Valeur HART (Primary Value)	Distance au niveau
Valeur HART (Secondary Value)	Température
Valeur HART (3rd Value)	Distance au niveau - calibrée
Résolution du signal	1,6 µA
Signal défaut sortie courant (réglable)	valeur mA inchangée, 20,5 mA, 22 mA, < 3,6 mA
Limitation de courant	22 mA
Charge	voir diagramme des charges sous alimentation
Atténuation (63 % de la grandeur d'entrée)	0 ... 999 s, réglable
Recommandation NAMUR satisfaite	NE 43

#### Grandeur d'entrée

Grandeur de mesure	écart entre la face inférieure du transducteur et la surface du produit
Plage de mesure	
- Liquides	jusqu'à 15 m (49.21 ft)
- Solides en vrac/pulvérulents	jusqu'à 7 m (22.97 ft)
Zone morte	0,6 m (1.969 ft)

### Précision de mesure (selon DIN EN 60770-1)

Conditions de référence selon DIN EN 61298-1

– Température	+18 ... +30 °C (+64 ... +86 °F)
– Humidité relative de l'air	45 ... 75 %
– Pression atmosphérique	860 ... 1060 mbar/86 ... 106 kPa (12.5 ... 15.4 psig)

### Ecart de la courbe et caractéristiques de mesure<sup>4)</sup>

Coefficient en température du signal zéro (erreur de température)	0,06 %/10 K
Résolution de mesure, en général	maxi. 1 mm
Fréquence des ultrasons	35 kHz
Intervalle de mesure	> 2 s (dépend du paramétrage)
Angle de rayonnement à -3 dB	3°
Temps de réglage <sup>5)</sup>	> 3 s (dépend du paramétrage)
Précision	meilleure que 0,2 % ou ±6 mm (voir diagramme)

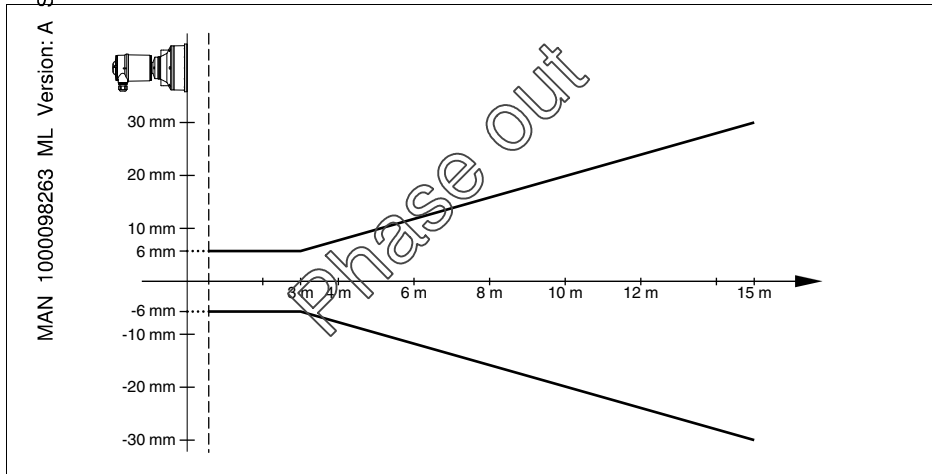


Fig. 20: Précision LEVEL TRANSMITTER 8178

### Conditions ambiantes

Température ambiante, de transport et de stockage	-40 ... +80 °C (-40 ... +176 °F)
---	----------------------------------

<sup>4)</sup> Par rapport à la plage de mesure nominale, y compris l'hystérésis et la reproductibilité, calculée selon la méthode du point limite.

<sup>5)</sup> Temps jusqu'à la sortie correcte (max. 10 % d'écart) du niveau lors d'une variation de niveau brusque.

**Conditions de process**

pression process	
avec bride tournante	-20 ... 100 kPa/-0,2 ... 1 bar (-2.9 ... 14.5 psi)
avec étrier de montage	0 kPa, faute de possibilité d'étanchement
température du process (température au niveau du transducteur)	-40 ... +80 °C (-40 ... +176 °F)
tenue aux vibrations	oscillations mécaniques avec 4 g et 5 ... 100 Hz <sup>6)</sup>

**Caractéristiques électromécaniques**

Entrée de câble	1 x presse-étoupe M20 x 1,5 (ø du câble : 5 ... 9 mm), 1 x obturateur M20 x 1,5
cornes auto-serrantes pour section de câble jusqu'à	2,5 mm <sup>2</sup> (AWG 14)

**Module de réglage et d'affichage**

Alimentation de tension et transmission des données	par le capteur
Indication	Afficheur LCD matrice dot
Éléments de réglage	4 touches
Protection	
non installé	IP 20
installé dans le capteur sans couvercle	IP 40
Matériaux	
Boîtier	ABS
Hublot	feuille de polyester

**Alimentation tension**

Tension de service	14 ... 36 V DC
Tension de service avec module de réglage et d'affichage éclairé <sup>7)</sup>	20 ... 36 V DC
Ondulation résiduelle tolérée	
- < 100 Hz	U <sub>ss</sub> < 1 V
- 100 Hz ... 10 kHz	U <sub>ss</sub> < 10 mV
Charge	voir diagramme

<sup>6)</sup> Contrôlée selon les réglementations du Germanischen Lloyd, courbe GL 2.

<sup>7)</sup> Sera disponible à une date ultérieure pour les appareils avec agréments spécifiques aux pays concernés comme p.ex. selon CSA.

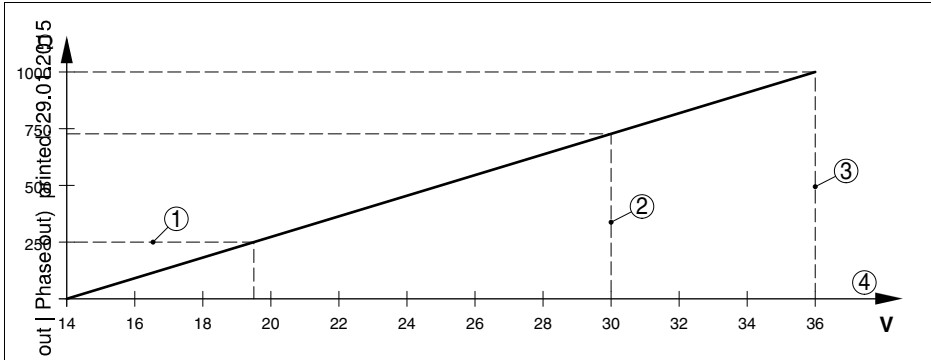


Fig. 1: Diagramme de tension

- 1 Charge HART
- 2 Sans importance
- 3 Limite de tension
- 4 Tension de service

**Mesures de protection électrique**

Protection	IP 66/IP 67
Catégorie de surtensions	III
Classe de protection	II

MAN 1000098263

Phase out

## 9.2 Encombrement

Boîtier

MAN 1000098263 ML Version: A Status: A (Phase-out) printed: 29.01.2015

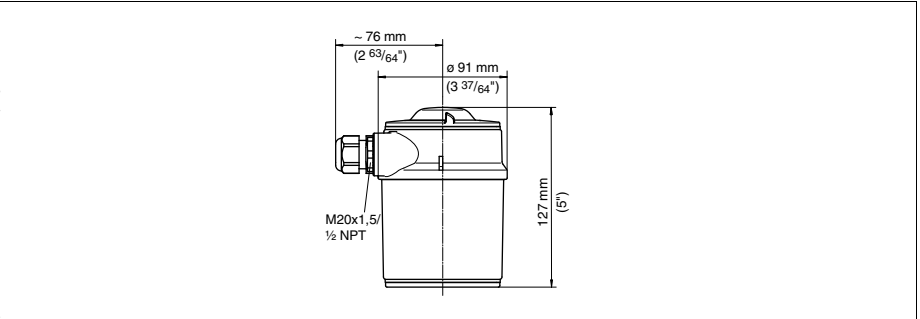


Fig. 22: Boîtier

Phase out

## LEVEL TRANSMITTER 8178

Version: A Status: PO (Phase out | Phase out) printed: 29.01.2015

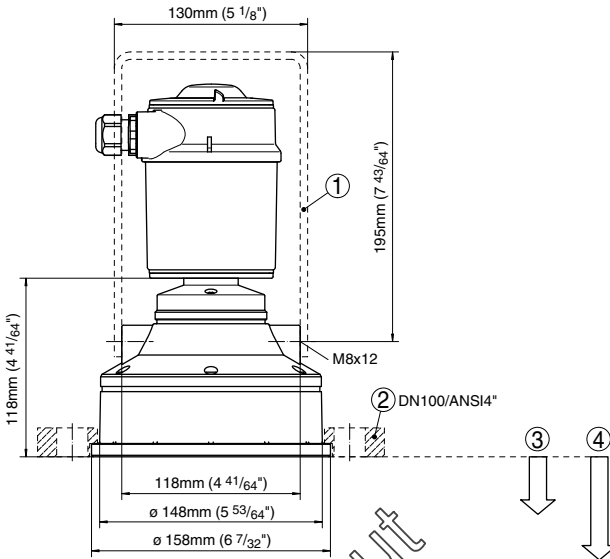


Fig. 23: LEVEL TRANSMITTER 8178

- 1 Serrurier de montage
- 2 bride tournante
- 3 Zone morte : 0,6 m (1.969 ft)
- 4 Plage de mesure : pour liquides jusqu'à 15 m (49.21 ft),, pour solides en vrac/pulvérulents jusqu'à 7 m (22.97 ft)

MAN 100003600

Phase out

MAN 1000098263 ML Version: A Status: PO (Phase out | Phase out) printed: 29.01.2015

Phase out

MAN 1000098263 ML Version: A Status: PO (Phase out | Phase out) printed: 29.01.2015

Phase out

The smart choice  
of Fluid Control Systems  
[www.burkert.com](http://www.burkert.com)

  
FLUID CONTROL SYSTEMS

**Sous réserve de modifications**

**32060-FR-081125**



# Bedienungsanleitung



Phase out

**LEVEL TRANSMITTER  
8178**

4 ... 20 mA/HART

## Inhaltsverzeichnis

<b>1</b>	<b>Zu diesem Dokument</b>	
1.1	Funktion. . . . .	4
1.2	Zielgruppe . . . . .	4
1.3	Verwendete Symbolik . . . . .	4
<b>2</b>	<b>Zu Ihrer Sicherheit</b>	
2.1	Autorisiertes Personal . . . . .	5
2.2	Bestimmungsgemäße Verwendung . . . . .	5
2.3	Warnung vor Fehlgebrauch . . . . .	5
2.4	Allgemeine Sicherheitshinweise. . . . .	5
2.5	Sicherheitskennzeichen und -hinweise. . . . .	6
2.6	CE-Konformität. . . . .	6
2.7	Kompatibilität nach NAMUR NE 53 . . . . .	6
2.8	Sicherheitshinweise für Ex-Bereiche . . . . .	6
<b>3</b>	<b>Produktbeschreibung</b>	
3.1	Aufbau. . . . .	7
3.2	Arbeitsweise . . . . .	7
3.3	Bedienung . . . . .	8
3.4	Verpackung, Transport und Lagerung . . . . .	8
<b>4</b>	<b>Montieren</b>	
4.1	Allgemeine Hinweise . . . . .	10
4.2	Montagehinweise . . . . .	12
<b>5</b>	<b>An die Spannungsversorgung anschließen</b>	
5.1	Anschluss vorbereiten. . . . .	19
5.2	Anschlussschritte . . . . .	20
5.3	Anschlussplan Einkammergehäuse . . . . .	21
5.4	Einschaltphase. . . . .	22
<b>6</b>	<b>In Betrieb nehmen mit dem Anzeige- und Bedienmodul</b>	
6.1	Kurzbeschreibung. . . . .	23
6.2	Anzeige- und Bedienmodul einsetzen . . . . .	23
6.3	Bediensystem . . . . .	25
6.4	Inbetriebnahmeschritte . . . . .	26
6.5	Menüplan Ultraschallsensor. . . . .	32
<b>7</b>	<b>Instandhalten und Störungen beseitigen</b>	
7.1	Wartung. . . . .	34
7.2	Störungen beseitigen . . . . .	34
<b>8</b>	<b>Ausbauen</b>	
8.1	Ausbauschritte . . . . .	36
8.2	Entsorgen . . . . .	36
<b>9</b>	<b>Anhang</b>	
9.1	Technische Daten . . . . .	37

9.2 Maße..... 41

MAN 1000098263 ML Version: A Status: PO (Phase out | Phase out) printed: 29.01.2015

Phase out

**Ergänzende Dokumentation**



**Information:**

Je nach bestellter Ausführung gehört ergänzende Dokumentation zum Lieferumfang. Diese finden Sie im Kapitel "*Produktbeschreibung*".

# 1 Zu diesem Dokument

## 1.1 Funktion

Die vorliegende Betriebsanleitung liefert Ihnen die erforderlichen Informationen für Montage, Anschluss und Inbetriebnahme sowie wichtige Hinweise für Wartung und Störungsbeseitigung. Lesen Sie diese deshalb vor der Inbetriebnahme und bewahren Sie sie als Produktbestandteil in unmittelbarer Nähe des Gerätes jederzeit zugänglich auf.

## 1.2 Zielgruppe

Diese Betriebsanleitung richtet sich an ausgebildetes Fachpersonal. Der Inhalt dieser Anleitung muss dem Fachpersonal zugänglich gemacht und umgesetzt werden.

## 1.3 Verwendete Symbolik



### Information, Tipp, Hinweis

Dieses Symbol kennzeichnet hilfreiche Zusatzinformationen.



**Vorsicht:** Bei Nichtbeachten dieses Warnhinweises können Störungen oder Fehlfunktionen die Folge sein.

**Warnung:** Bei Nichtbeachten dieses Warnhinweises kann ein Personenschaden und/oder ein schwerer Geräteschaden die Folge sein.

**Gefahr:** Bei Nichtbeachten dieses Warnhinweises kann eine ernsthafte Verletzung von Personen und/oder eine Zerstörung des Gerätes die Folge sein.



### Ex-Anwendungen

Dieses Symbol kennzeichnet besondere Hinweise für Ex-Anwendungen.



### Liste

Der vorangestellte Punkt kennzeichnet eine Liste ohne zwingende Reihenfolge.



### Handlungsschritt

Dieser Pfeil kennzeichnet einen einzelnen Handlungsschritt.



### Handlungsfolge

Vorangestellte Zahlen kennzeichnen aufeinander folgende Handlungsschritte.

## 2 Zu Ihrer Sicherheit

### 2.1 Autorisiertes Personal

Sämtliche in dieser Betriebsanleitung beschriebenen Handhabungen dürfen nur durch ausgebildetes und vom Anlagenbetreiber autorisiertes Fachpersonal durchgeführt werden.

Bei Arbeiten am und mit dem Gerät ist immer die erforderliche persönliche Schutzausrüstung zu tragen.

### 2.2 Bestimmungsgemäße Verwendung

Der LEVEL TRANSMITTER 8178 ist ein Sensor zur kontinuierlichen Füllstandmessung.

Detaillierte Angaben zum Einsatzbereich finden Sie im Kapitel "Produktbeschreibung".

Die Betriebssicherheit des Gerätes ist nur bei bestimmungsgemäßer Verwendung entsprechend den Angaben in der Betriebsanleitung sowie in den evtl. ergänzenden Anleitungen gegeben.

Eingriffe über die in der Betriebsanleitung beschriebenen Handhabungen hinaus dürfen aus Sicherheits- und Gewährleistungsgründen nur durch vom Hersteller autorisiertes Personal vorgenommen werden. Eigenmächtige Umbauten oder Veränderungen sind ausdrücklich untersagt.

### 2.3 Warnung vor Fehlgebrauch

Bei nicht sachgerechter oder nicht bestimmungsgemäßer Verwendung können von diesem Gerät anwendungsspezifische Gefahren ausgehen, so z. B. ein Überlauf des Behälters oder Schäden an Anlagenteilen durch falsche Montage oder Einstellung.

### 2.4 Allgemeine Sicherheitshinweise

Das Gerät entspricht dem Stand der Technik unter Beachtung der üblichen Vorschriften und Richtlinien. Durch den Anwender sind die Sicherheitshinweise in dieser Betriebsanleitung, die landesspezifischen Installationsstandards sowie die geltenden Sicherheitsbestimmungen und Unfallverhütungsvorschriften zu beachten.

Das Gerät darf nur in technisch einwandfreiem und betriebssicheren Zustand betrieben werden. Der Betreiber ist für den störungsfreien Betrieb des Gerätes verantwortlich.

Der Betreiber ist ferner verpflichtet, während der gesamten Einsatzdauer die Übereinstimmung der erforderlichen Arbeitssicherheitsmaßnahmen mit dem aktuellen Stand der jeweils geltenden Regelwerke festzustellen und neue Vorschriften zu beachten.

## 2.5 Sicherheitskennzeichen und -hinweise

Die auf dem Gerät angebrachten Sicherheitskennzeichen und -hinweise sind zu beachten.

## 2.6 CE-Konformität

Das Gerät ist CE-konform zum EMVG (89/336/EWG), erfüllt die NAMUR-Empfehlung NE 21 und ist CE-konform zur NSR (73/23/EG).

Die Konformität wurde nach folgenden Normen bewertet:

- EMVG:
  - Emission EN 61326: 1997 (Klasse A)
  - Immission EN 61326: 1997/A1: 1998
- NSR: EN 61010-1: 2001

## 2.7 Kompatibilität nach NAMUR NE 53

Hinsichtlich Kompatibilität wird die NAMUR-Empfehlung NE 53 erfüllt. Das gilt auch für die zugehörigen Anzeige- und Bedienkomponenten.

Die Parametrierung der Grundfunktionen des Sensors ist unabhängig von der Softwareversion möglich. Der Funktionsumfang richtet sich nach der jeweiligen Softwareversion der Einzelkomponenten.

Die Softwareversion des LEVEL TRANSMITTER 8178 ist wie folgt feststellbar:

- Auf dem Typschild der Elektronik
- Über das Anzeige- und Bedienmodul

## 2.8 Sicherheitshinweise für Ex-Bereiche

Beachten Sie bei Ex-Anwendungen die Ex-spezifischen Sicherheitshinweise. Diese sind Bestandteil der Betriebsanleitung und liegen jedem Gerät mit Ex-Zulassung bei.

### 3 Produktbeschreibung

#### 3.1 Aufbau

##### Lieferumfang

Der Lieferumfang besteht aus:

- Ultraschallsensor LEVEL TRANSMITTER 8178
- Optional Montagebügel bzw. Überwurfflansch
- Dokumentation
  - Dieser Betriebsanleitung
  - Betriebsanleitung "Anzeige- und Bedienmodul" (optional)
  - Ggf. weiteren Bescheinigungen

##### Komponenten

Der LEVEL TRANSMITTER 8178 besteht aus den Komponenten:

- Prozessanschluss mit Schallwandler
- Gehäuse mit Elektronik
- Gehäusedeckel, optional mit Anzeige- und Bedienmodul

Die Komponenten stehen in unterschiedlichen Ausführungen zur Verfügung.

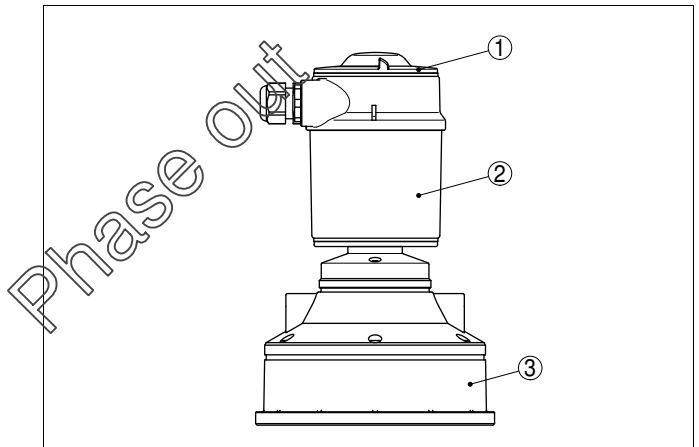


Abb. 1: LEVEL TRANSMITTER 8178

- 1 Gehäusedeckel mit darunter liegendem Anzeige- und Bedienmodul (optional)
- 2 Gehäuse mit Elektronik
- 3 Prozessanschluss mit Schallwandler

#### 3.2 Arbeitsweise

##### Einsatzbereich

Der LEVEL TRANSMITTER 8178 ist ein Ultraschallsensor zur kontinuierlichen Füllstandmessung. Er ist geeignet für Flüssigkeiten und Schüttgüter in nahezu allen Industriebereichen.

**Funktionsprinzip**

Vom Schallwandler des Ultraschallsensors werden kurze Ultraschallimpulse auf das zu messende Produkt ausgesendet. Diese werden von der Füllgutoberfläche reflektiert und vom Schallwandler als Echos wieder empfangen. Die Laufzeit der Ultraschallimpulse vom Ausenden bis zum Empfangen ist der Distanz und damit der Füllhöhe proportional. Die so ermittelte Füllhöhe wird in ein entsprechendes Ausgangssignal umgewandelt und als Messwert ausgegeben.

**Spannungsversorgung**

Zweiterelektronik 4 ... 20 mA/HART für Spannungsversorgung und Messwertübertragung auf derselben Leitung.

Der Spannungsversorgungsbereich kann sich je nach Geräteausführung unterscheiden.

Die Daten für die Spannungsversorgung finden Sie im Kapitel "*Technische Daten*".

Die Hintergrundbeleuchtung des Anzeige- und Bedienmoduls wird durch den Sensor gespeist. Voraussetzung ist hierbei eine bestimmte Höhe der Versorgungsspannung.

Die Daten für die Spannungsversorgung finden Sie im Kapitel "*Technische Daten*".

**3.3 Bedienung**

Der LEVEL TRANSMITTER 8178 bietet unterschiedliche Bedientechniken:

- Mit dem Anzeige- und Bedienmodul
- Mit einem HART-Handbediengerät

Die eingegebenen Parameter werden generell im LEVEL TRANSMITTER 8178 gespeichert, optional auch im Anzeige- und Bedienmodul.

**3.4 Verpackung, Transport und Lagerung****Verpackung**

Ihr Gerät wurde auf dem Weg zum Einsatzort durch eine Verpackung geschützt. Dabei sind die üblichen Transportbeanspruchungen durch eine Prüfung nach DIN EN 24180 abgesichert.

Bei Standardgeräten besteht die Verpackung aus Karton, ist umweltverträglich und wieder verwertbar. Bei Sonderausführungen wird zusätzlich PE-Schaum oder PE-Folie verwendet. Entsorgen Sie das anfallende Verpackungsmaterial über spezialisierte Recyclingbetriebe.

**Transport**

Der Transport muss unter Berücksichtigung der Hinweise auf der Transportverpackung erfolgen. Nichtbeachtung kann Schäden am Gerät zur Folge haben.



**Transportinspektion**

Die Lieferung ist bei Erhalt unverzüglich auf Vollständigkeit und eventuelle Transportschäden zu untersuchen. Festgestellte Transportschäden oder verdeckte Mängel sind entsprechend zu behandeln.

**Lagerung**

Die Packstücke sind bis zur Montage verschlossen und unter Beachtung der außen angebrachten Aufstell- und Lagermarkierungen aufzubewahren.

Packstücke, sofern nicht anders angegeben, nur unter folgenden Bedingungen lagern:

- Nicht im Freien aufbewahren
  - Trocken und staubfrei lagern
  - Keinen aggressiven Medien aussetzen
  - Vor Sonneneinstrahlung schützen
  - Mechanische Erschütterungen vermeiden
- 
- Lager- und Transporttemperatur siehe Kapitel "*Anhang - Technische Daten - Umgebungsbedingungen*"
  - Relative Luftfeuchte 20 ... 85 %

**Lager- und Transporttemperatur**

Phase out

## 4 Montieren

### 4.1 Allgemeine Hinweise

**Montageposition**

Wählen Sie die Montageposition möglichst so, dass Sie das Gerät beim Montieren und Anschließen sowie für das spätere Nachrüsten eines Anzeige- und Bedienmoduls gut erreichen können. Hierzu lässt sich das Gehäuse ohne Werkzeug um 330° drehen. Darüber hinaus können Sie das Anzeige- und Bedienmodul in 90°-Schritten verdreht einsetzen.

**Feuchtigkeit**

Verwenden Sie die empfohlenen Kabel (siehe Kapitel "*An die Spannungsversorgung anschließen*") und ziehen Sie die Kabelverschraubung fest an.

Sie schützen Ihr Gerät zusätzlich gegen das Eindringen von Feuchtigkeit, indem Sie das Anschlusskabel vor der Kabelverschraubung nach unten führen. Regen- und Kondenswasser können so abtropfen. Dies gilt vor allem bei Montage im Freien, in Räumen, in denen mit Feuchtigkeit zu rechnen ist (z. B. durch Reinigungsprozesse) oder an gekühlten bzw. beheizten Behältern.

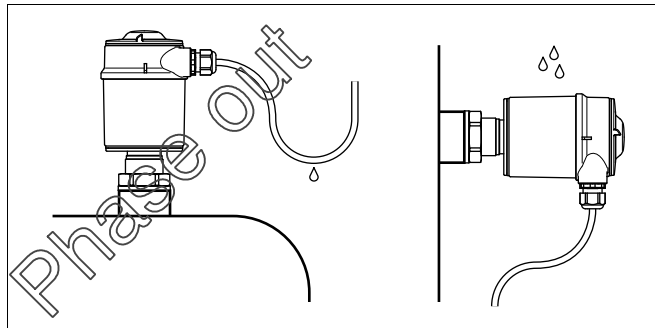


Abb. 2: Maßnahmen gegen das Eindringen von Feuchtigkeit

**Messbereich**

Die Bezugsebene für den Messbereich ist die Unterseite des Schallwandlers.

Beachten Sie, dass unterhalb der Bezugsebene ein Mindestabstand - der sogenannte Totbereich - eingehalten werden muss, in dem keine Messung möglich ist. Den genauen Wert des Totbereichs finden Sie im Kapitel "*Technische Daten*".

MAN 1000098263 ML Version: A Status: PO (Phase out | Phase out) printed: 01.2015

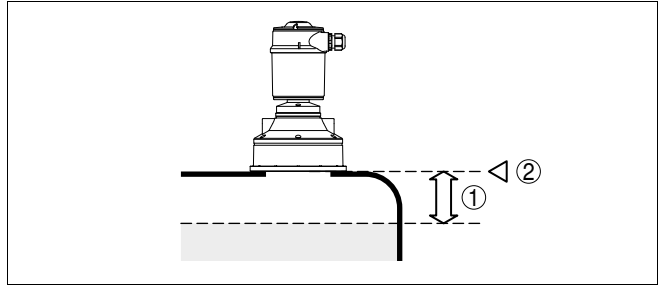


Abb. 3: Mindestabstand zur max. Füllhöhe

- 1 Totbereich
- 2 Bezugsebene



**Information:**

Wenn das Füllgut bis an den Schallwandler gelangt, können sich langfristig Anhaftungen am Schallwandler bilden, die später zu Fehlmessungen führen können.

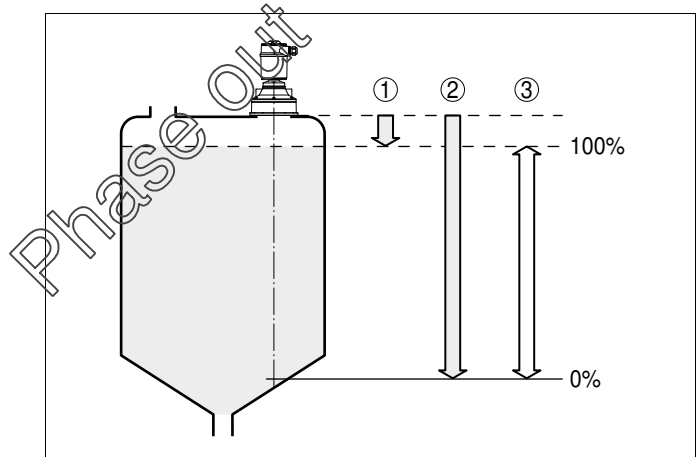


Abb. 4: Messbereich (Arbeitsbereich) und maximale Messdistanz

- 1 voll
- 2 leer (maximale Messdistanz)
- 3 Messbereich

**Druck/Vakuum**

Überdruck im Behälter beeinflusst den LEVEL TRANSMITTER 8178 nicht. Unterdruck oder Vakuum bedämpfen Ultraschallimpulse. Dies beeinflusst das Messergebnis, vor allem, wenn der Füllstand sehr niedrig ist. Ab -0,2 bar (-20 kPa) sollten Sie ein anderes Messprinzip verwenden, z. B. Radar oder geführte Mikrowelle.

## Montageposition

### 4.2 Montagehinweise

Montieren Sie den LEVEL TRANSMITTER 8178 an einer Position, die mindestens 200 mm (7.874 in) von der Behälterwand entfernt ist. Wenn der Sensor in Behältern mit Klöpper- oder Runddecken mittig montiert wird, können Vielfachechos entstehen, die durch einen entsprechenden Abgleich ausgeblendet werden können (siehe Kapitel "Inbetriebnahme").

Wenn Sie diesen Abstand nicht einhalten können, sollten Sie bei der Inbetriebnahme eine Störsignalspeicherung durchführen. Dies gilt vor allem, wenn Anhaftungen an der Behälterwand zu erwarten sind. In diesem Fall empfiehlt es sich, die Störsignalspeicherung zu einem späteren Zeitpunkt mit vorhandenen Anhaftungen zu wiederholen.

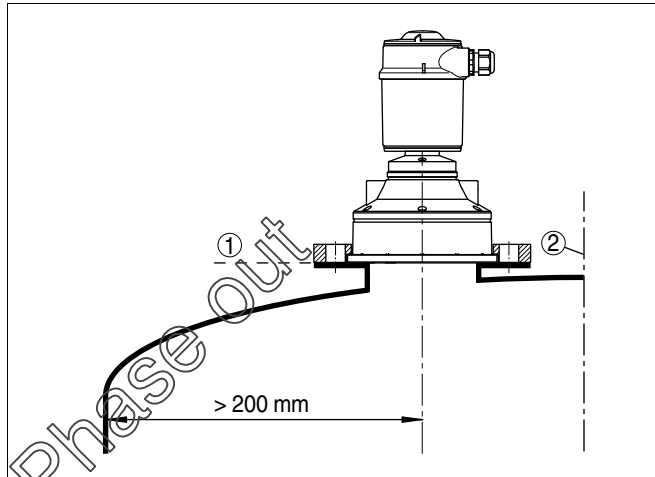


Abb. 5: Montage an runden Behälterdecken

- 1 Bezugsebene
- 2 Behältermitte bzw. Symmetrieachse

**Stutzen**

Bei Behältern mit konischem Boden kann es vorteilhaft sein, den Sensor in Behältermitte zu montieren, da die Messung dann bis zum Boden möglich ist.

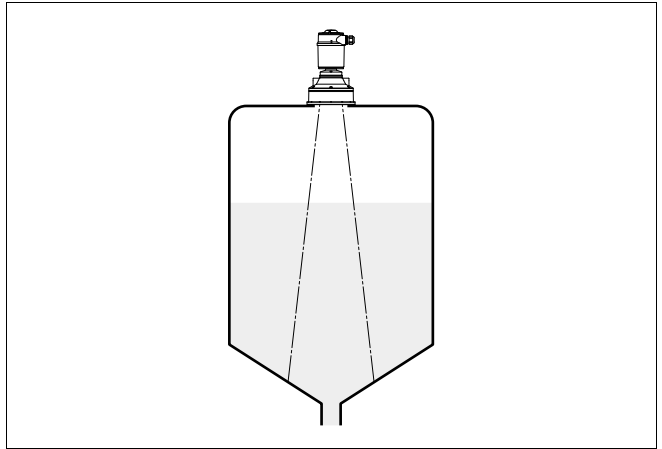


Abb. 6: Behälter mit konischem Boden

Bevorzugt sollten Sie den Schallwandler bündig auf die Behälterdecke montieren.

Bei guten Reflexionseigenschaften des Füllguts können Sie den LEVEL TRANSMITTER 8178 auch auf einem Rohrstutzen montieren. Richtwerte der Stutzenhöhen finden Sie in der nachfolgenden Abbildung. Das Stutzenende sollte in diesem Fall glatt und gratfrei, wenn möglich sogar abgerundet sein. Führen Sie eine Störsignalspeicherung durch.

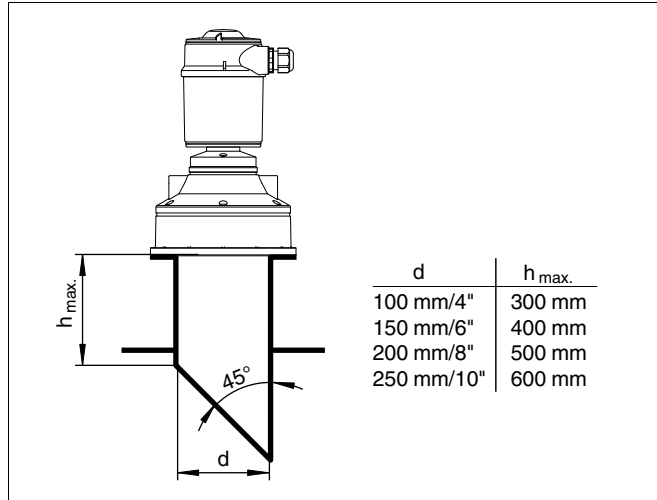


Abb. 7: Abweichende Rohrstützenmaße

**Sensorausrichtung**

Richten Sie den Sensor in Flüssigkeiten möglichst senkrecht auf die Füllgutoberfläche, um optimale Messergebnisse zu erzielen.

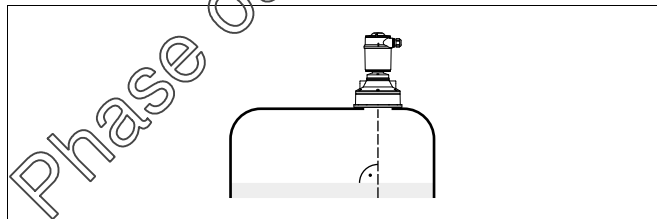


Abb. 8: Ausrichtung in Flüssigkeiten

Um den Sensor optimal auf Schüttgütern auszurichten, können Sie eine Schwenkhalterung (Montagebügel) verwenden.

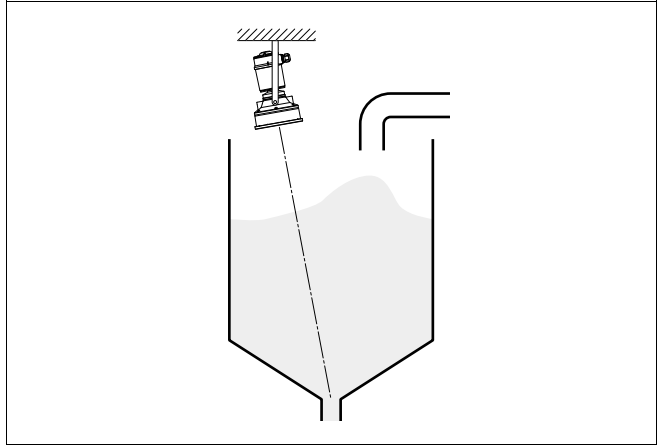


Abb. 9: Ausrichtung in Schüttgütern

Um den Mindestabstand zum Füllgut zu verringern, können Sie den LEVEL TRANSMITTER 8178 auch mit einem Umlenkspiegel montieren. Dadurch können Sie Ihren Behälter fast vollständig befüllen. Diese Anordnung eignet sich in erster Linie für offene Behälter wie z. B. Regenüberlaufbecken.

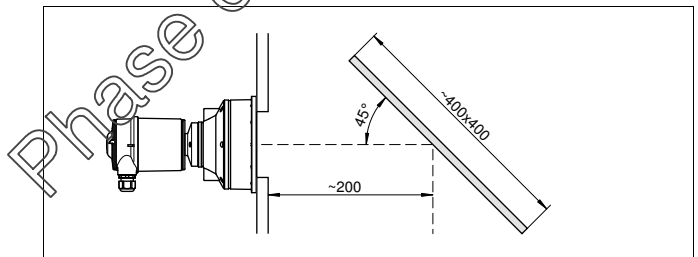


Abb. 10: Umlenkspiegel

**Behältereinbauten**

Der Einbauort des Ultraschallsensors sollte so gewählt werden, dass keine Einbauten die Ultraschallsignale kreuzen.

Behältereinbauten, wie z. B. Leitern, Grenzscharer, Heizschlangen, Behälterverstreber etc. können Störschall verursachen und das Nutzecho überlagern. Achten Sie bei der Projektierung Ihrer Messstelle auf eine möglichst "freie Sicht" der Ultraschallsignale zum Füllgut.

Bei vorhandenen Behältereinbauten sollten Sie bei der Inbetriebnahme eine Störsignalspeicherung durchführen.

Wenn große Behältereinbauten wie Streben und Träger zu Störechos führen, können diese durch zusätzliche Maßnahmen abgeschwächt werden. Kleine, schräg angebaute Blenden aus Blech oder Kunststoff über den Einbauten "streuen" die Ultraschallsignale und verhindern so wirkungsvoll eine direkte Störeflexion.

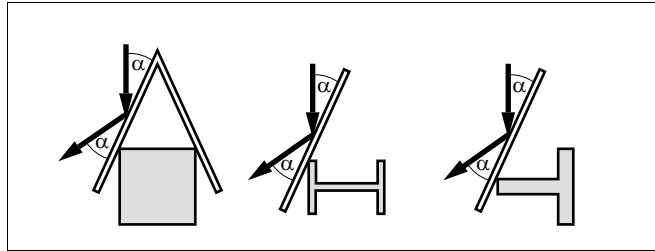


Abb. 11: Glatte Profile mit Streublenden abdecken

### Rührwerke

Bei Rührwerken im Behälter sollten Sie eine Störsignalspeicherung bei laufendem Rührwerk durchführen. Somit ist sichergestellt, dass die Störreflexionen des Rührwerks in unterschiedlichen Positionen abgespeichert werden.

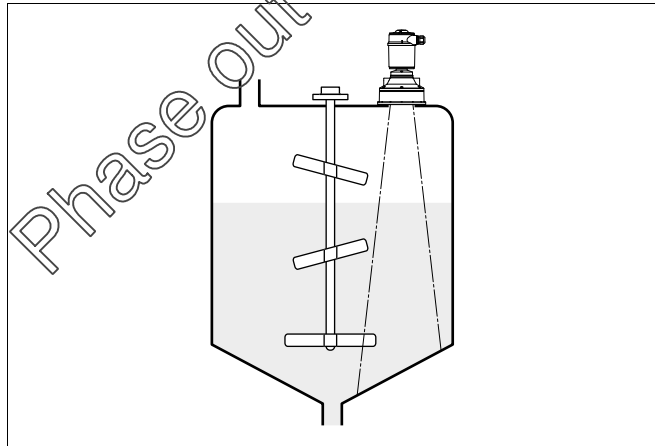


Abb. 12: Rührwerke

### Einströmendes Füllgut

Montieren Sie die Geräte nicht über oder in den Befüllstrom. Stellen Sie sicher, dass Sie die Füllgutoberfläche erfassen und nicht das einströmende Füllgut.



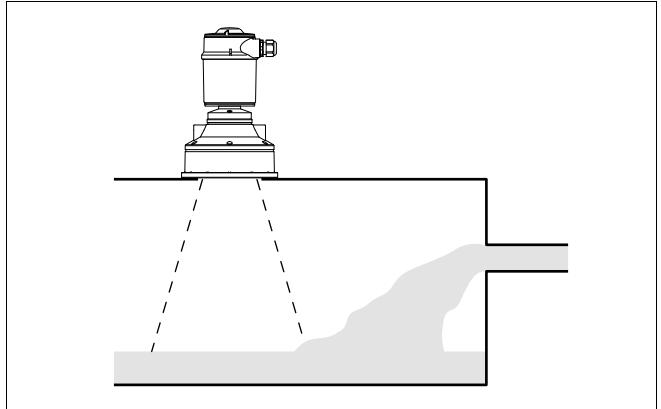


Abb. 13: Einströmende Flüssigkeit

### Schaum

Durch Befüllung, Rührwerke oder andere Prozesse im Behälter, können sich zum Teil sehr konsistente Schäume auf der Füllgutoberfläche bilden, die das Sendesignal sehr stark dämpfen.

Wenn Schäume zu Messfehlern führen, sollten Sie den Sensor in einem Standrohr einsetzen oder die dafür besser geeigneten Sensoren mit geführtem Radar (TDR) verwenden.

Geführtes Radar ist unbeeinflusst von Schaumbildung und eignet sich für diese Anwendungen besonders gut.

### Luftbewegungen

Wenn starke Luftströmungen im Behälter auftreten, z. B. bei Montage im Freien und starkem Wind oder durch Luftturbulenzen im Behälter, z. B. durch Zyklonabsaugung, sollten Sie den LEVEL TRANSMITTER 8178 in einem Standrohr montieren oder ein anderes Messprinzip verwenden, z. B. Radar oder geführtes Radar (TDR).

### Standrohrmessung

Durch den Einsatz in einem Standrohr (Schwall- oder Bypassrohr) sind Einflüsse von Behältereinbauten, Schaumbildung und Turbulenzen ausgeschlossen.

Standrohre müssen bis zur gewünschten minimalen Füllhöhe reichen, da eine Messung nur im Rohr möglich ist.

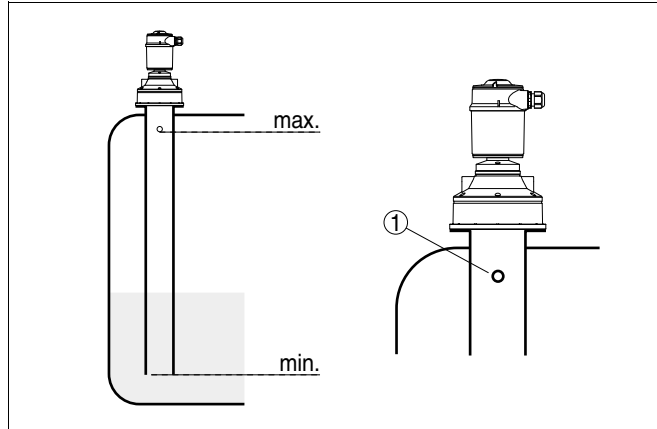


Abb. 14: Standrohr im Tank

1 Entlüftungsbohrung  $\varnothing$  5 ... 10 mm

Der LEVEL TRANSMITTER 8178 ist bei Rohrdurchmessern ab 100 mm einsetzbar.

Vermeiden Sie große Spalte und starke Schweißnähte beim Verbinden der Rohre. Führen Sie generell eine Störsignalspeicherung durch.

In Füllgütern, die zu Anhaftungen neigen, ist die Messung im Standrohr nicht sinnvoll.

Phase out

## 5 An die Spannungsversorgung anschließen

### 5.1 Anschluss vorbereiten

Beachten Sie grundsätzlich folgende Sicherheitshinweise:

- Nur in spannungslosem Zustand anschließen
- Falls Überspannungen zu erwarten sind, Überspannungsschutzgeräte installieren.

In explosionsgefährdeten Bereichen müssen die entsprechenden Vorschriften, Konformitäts- und Baumusterprüfbescheinigungen der Sensoren und der Versorgungsgeräte beachtet werden.



Die Spannungsversorgung und das Stromsignal erfolgen über dasselbe zweiadrige Anschlusskabel. Der Spannungsversorgungsbereich kann sich je nach Geräteausführung unterscheiden.

Die Daten für die Spannungsversorgung finden Sie im Kapitel "*Technische Daten*".

Sorgen Sie für eine sichere Trennung des Versorgungskreises von den Netzstromkreisen nach DIN VDE 0106 Teil 101.

Berücksichtigen Sie folgende zusätzliche Einflüsse für die Versorgungsspannung:

- Ausgangsspannung des Speisegerätes kann unter Nennlast geringer werden (bei einem Sensorstrom von 20,5 mA bzw. 22 mA bei Störmelung)
- Einfluss weiterer Geräte im Stromkreis (siehe Bürdenwerte im Kapitel "*Technische Daten*")

Das Gerät wird mit handelsüblichem zweiadrigem Kabel ohne Schirm angeschlossen. Falls elektromagnetische Einstreuungen zu erwarten sind, die über den Prüferten der EN 61326 für industrielle Bereiche liegen, sollte abgeschirmtes Kabel verwendet werden.

Verwenden Sie Kabel mit rundem Querschnitt. Ein Kabelaußendurchmesser von 5 ... 9 mm (0.2 ... 0.35 in) gewährleistet die Dichtwirkung der Kabelverschraubung. Wenn Sie Kabel mit anderem Durchmesser oder Querschnitt einsetzen, wechseln Sie die Dichtung oder verwenden Sie eine geeignete Kabelverschraubung.

#### Kabelschirmung und Erdung

Wenn geschirmtes Kabel notwendig ist, legen Sie den Kabelschirm beidseitig auf Erdpotenzial. Im Sensor muss der Schirm direkt an die innere Erdungsklemme angeschlossen werden. Die äußere Erdungsklemme am Gehäuse muss niederimpedant mit dem Potenzialausgleich verbunden sein.

Sicherheitshinweise beachten

Sicherheitshinweise für Explosionsgefährdete Bereiche beachten

Spannungsversorgung auswählen

Anschlusskabel auswählen

MAN 1000098263 ML Version: A Status: PO (Phaseout) printed 2010.01.2015



Falls Potenzialausgleichsströme zu erwarten sind, muss die Verbindung auf der Auswerteseite über einen Keramikkondensator (z. B. 1 nF, 1500 V) hergestellt werden. Die niederfrequenten Potenzialausgleichsströme werden nun unterbunden, die Schutzwirkung für die hochfrequenten Störsignale bleibt dennoch erhalten.

Bei Ex-Anwendungen sind die entsprechenden Errichtungsvorschriften zu beachten. Insbesondere ist sicherzustellen, dass keine Potenzialausgleichsströme über den Kabelschirm fließen. Dies kann bei der beidseitigen Erdung durch den zuvor beschriebenen Einsatz eines Kondensators oder durch einen separaten Potenzialausgleich erreicht werden.

## 5.2 Anschlusschritte

Gehen Sie wie folgt vor:

- 1 Gehäusedeckel abschrauben
- 2 Evtl. vorhandenes Anzeige- und Bedienmodul durch leichtes Drehen nach links herausnehmen
- 3 Überwurfmutter der Kabelverschraubung lösen
- 4 Anschlusskabel ca. 10 cm (4 in) abmanteln, Aderenden ca. 1 cm (0.4 in) abisolieren
- 5 Kabel durch die Kabelverschraubung in den Sensor schieben
- 6 Öffnungshebel der Klemmen mit einem Schraubendreher anheben (siehe nachfolgende Abbildung)
- 7 Aderenden nach Anschlussplan in die offenen Klemmen stecken
- 8 Öffnungshebel der Klemmen nach unten drücken, die Klemmenfeder schließt hörbar
- 9 Korrekten Sitz der Leitungen in den Klemmen durch leichtes Ziehen prüfen
- 10 Schirm an die innere Erdungsklemme anschließen, die äußere Erdungsklemme mit dem Potenzialausgleich verbinden
- 11 Überwurfmutter der Kabelverschraubung fest anziehen. Der Dichtring muss das Kabel komplett umschließen
- 12 Gehäusedeckel verschrauben

Der elektrische Anschluss ist somit fertig gestellt.



Abb. 15: Anschlussschritte 6 und 7

### 5.3 Anschlussplan Einkammergehäuse

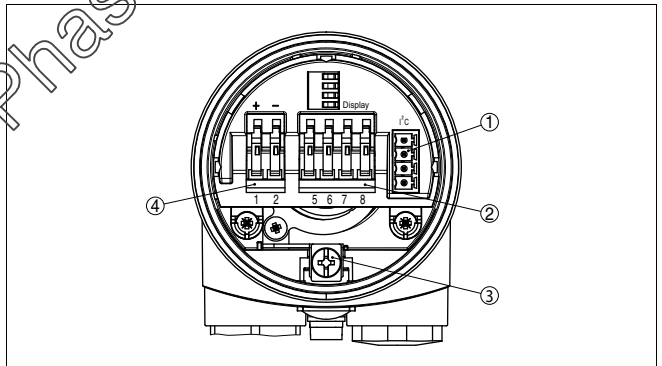


Abb. 16: Elektronik- und Anschlussraum Einkammergehäuse

- 1 Serviceschnittstelle
- 2 Federkraftklemmen zum Anschluss einer externen Anzeige
- 3 Erdungsklemme zum Anschluss des Kabelschirms
- 4 Federkraftklemmen für die Spannungsversorgung

MAN 1000098263 ML Version: A Status: PO (Phase out) | Phase out | printed: 29.01.2015

Elektronik- und Anschlussraum

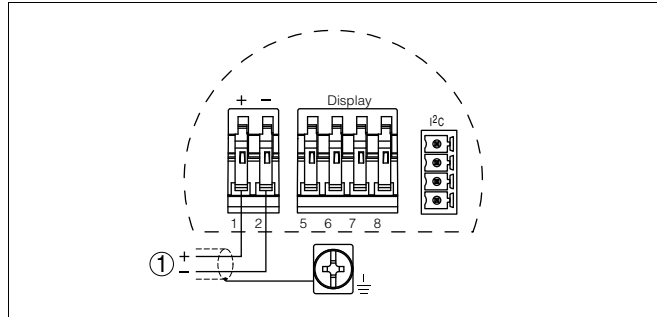
**Anschlussplan**

Abb. 17: Anschlussplan Einkammergehäuse

1 Spannungsversorgung/Signalausgang

**5.4 Einschaltphase**

Nach dem Anschluss des LEVEL TRANSMITTER 8178 an die Spannungsversorgung bzw. nach Spannungswiederkehr führt das Gerät zunächst ca. 30 Sekunden lang einen Selbsttest durch:

- Interne Prüfung der Elektronik
- Anzeige des Gerätetyps, der Firmwareversion sowie des Sensor-TAGs (Sensorbezeichnung)
- Ausgangssignal springt kurz (ca. 10 Sekunden) auf den eingestellten Störstrom

Danach wird der zugehörige Strom auf die Leitung ausgegeben (der Wert entspricht dem aktuellen Füllstand sowie den bereits durchgeführten Einstellungen, z. B. dem Werksabgleich).

**Einschaltphase**

Phase out

**Funktion/Aufbau****Anzeige- und Bedienmodul ein-/ausbauen**

## 6 In Betrieb nehmen mit dem Anzeige- und Bedienmodul

### 6.1 Kurzbeschreibung

Das Anzeige- und Bedienmodul dient zur Messwertanzeige, Bedienung und Diagnose. Es kann in allen Sensoren der LEVEL TRANSMITTER-Gerätefamilie eingesetzt werden.

Ab einer Hardwareversion ...- 01 oder höher des Anzeige- und Bedienmoduls bzw. der jeweiligen Sensorelektronik ist eine integrierte Hintergrundbeleuchtung über das Bedienmenü zuschaltbar. Sie finden die Hardwareversion jeweils auf dem Typschild des Anzeige- und Bedienmoduls bzw. der Sensorelektronik.

**Hinweis:**

Detaillierte Informationen zur Bedienung finden Sie in der Betriebsanleitung "*Anzeige- und Bedienmodul*".

### 6.2 Anzeige- und Bedienmodul einsetzen

Das Anzeige- und Bedienmodul kann jederzeit in den Sensor eingesetzt und wieder entfernt werden. Eine Unterbrechung der Spannungsversorgung ist hierzu nicht erforderlich.

Zum Einbau gehen Sie folgendermaßen vor:

- 1 Gehäusedeckel abschrauben
- 2 Anzeige- und Bedienmodul in die gewünschte Position auf die Elektronik setzen (vier Positionen im 90°-Versatz sind wählbar)
- 3 Anzeige- und Bedienmodul auf die Elektronik setzen und leicht nach rechts bis zum Einrasten drehen
- 4 Gehäusedeckel mit Sichtfenster fest verschrauben

Der Ausbau erfolgt sinngemäß umgekehrt.

Das Anzeige- und Bedienmodul wird vom Sensor versorgt, ein weiterer Anschluss ist nicht erforderlich.

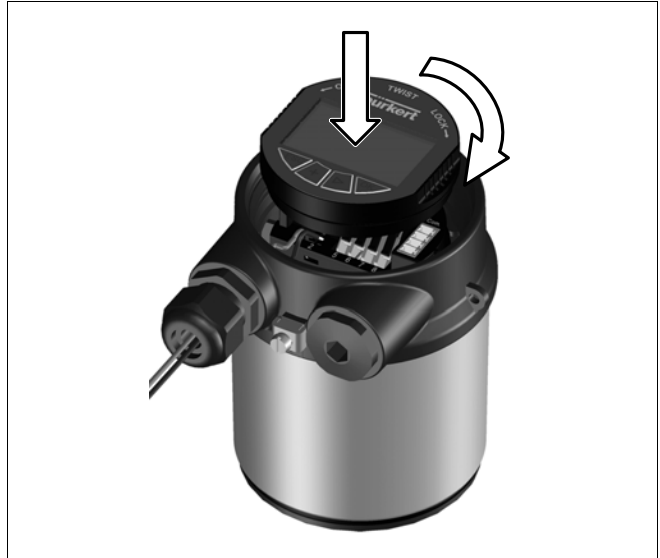


Abb. 18: Einbau des Anzeige- und Bedienmoduls



**Hinweis:**

Falls Sie das Gerät mit einem Anzeige- und Bedienmodul zur ständigen Messwertanzeige nachrüsten wollen, ist ein erhöhter Deckel mit Sichtfenster erforderlich.

Phase out



### 6.3 Bediensystem

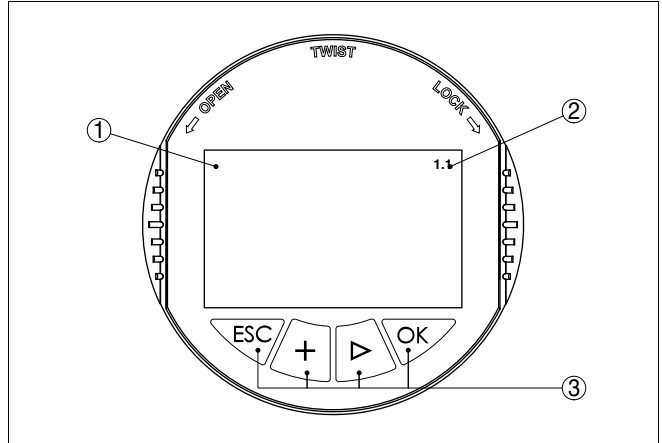


Abb. 19: Anzeige- und Bedienelemente

- 1 LC-Display
- 2 Anzeige der Menüpunktnummer
- 3 Bedientasten

MAN 1000098263 ML Version: A Status: PO (Phase out) printed: 29.01.2015

#### Tastenfunktionen

- **[OK]**-Taste:
  - In die Menüübersicht wechseln
  - Ausgewähltes Menü bestätigen
  - Parameter editieren
  - Wert speichern
- **[▶]**-Taste zur Auswahl von:
  - Menüwechsel
  - Listeneintrag auswählen
  - Editierposition wählen
- **[+]**-Taste:
  - Wert eines Parameters verändern
- **[ESC]**-Taste:
  - Eingabe abbrechen
  - Rücksprung in übergeordnetes Menü

#### Bediensystem

Sie bedienen den Sensor über die vier Tasten des Anzeige- und Bedienmoduls. Auf dem LC-Display werden die einzelnen Menüpunkte angezeigt. Die Funktionen der einzelnen Tasten entnehmen Sie bitte der vorhergehenden Darstellung. Ca. 10 Minuten nach der letzten Tastenbetätigung wird ein automatischer Rücksprung in die Messwertanzeige ausgelöst. Dabei gehen die noch nicht mit **[OK]** bestätigten Werte verloren.

## Adresseinstellung HART-Multidrop

## Parametrierung

## Min.-Abgleich durchführen

MAN 1000098263 ML Version: A Status: PO (Phase out) printed: 29.07.15

### 6.4 Inbetriebnahmeschritte

Bei HART-Multidrop-Betrieb (mehrere Sensoren an einem Eingang) muss vor der weiteren Parametrierung zuerst die Adresseinstellung vorgenommen werden. Eine nähere Beschreibung hierzu finden Sie in der Betriebsanleitung "*Anzeige- und Bedienmodul*".



Da es sich beim LEVEL TRANSMITTER 8178 um ein Distanzmessgerät handelt, wird die Entfernung vom Sensor bis zur Füllgutoberfläche gemessen. Um die eigentliche Füllguthöhe anzeigen zu können, muss eine Zuweisung der gemessenen Distanz zur prozentualen Höhe erfolgen. Zur Durchführung dieses Abgleichs wird die Distanz bei vollem und leerem Behälter eingegeben. Sind diese Werte nicht bekannt, kann auch mit den Distanzen beispielsweise von 10 % und 90 % abgeglichen werden. Ausgangspunkt für diese Distanzangaben ist bei Flanschdurchführungen die Unterseite des Flansches, bei den übrigen Ausführungen die Unterseite des Schallwandlers.

Anhand dieser Eingaben wird dann die eigentliche Füllhöhe errechnet. Gleichzeitig wird dadurch der Arbeitsbereich des Sensors vom Maximum auf den benötigten Bereich begrenzt.

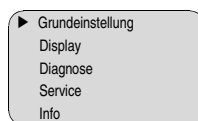
Der aktuelle Füllstand spielt bei diesem Abgleich keine Rolle, der Min.-/Max.-Abgleich wird immer ohne Veränderung des Füllguts durchgeführt. Somit können diese Einstellungen bereits im Vorfeld durchgeführt werden, ohne dass das Gerät eingebaut sein muss.

Im Hauptmenüpunkt "*Grundeinstellung*" sollten zur optimalen Einstellung der Messung die einzelnen Untermenüpunkte nacheinander ausgewählt und mit den richtigen Parametern versehen werden.

Beginnen Sie nun Ihre Parametrierung mit folgenden Menüpunkten der Grundeinstellung:

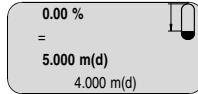
Gehen Sie wie folgt vor:

- 1 Wechseln von der Messwertanzeige ins Hauptmenü durch Drücken von **[OK]**.



- 2 Den Menüpunkt "*Grundeinstellung*" mit **[->]** auswählen und mit **[OK]** bestätigen. Nun wird der Menüpunkt "*Min.-Abgleich*" angezeigt.

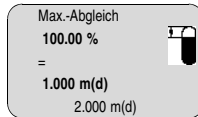
MAN 1000098263 ML Version: A Status: PO (Phase out) | Phase out | printed: 29.01.2015



- 3 Mit **[OK]** den Prozentwert zum Editieren vorbereiten, und den Cursor mit **[->]** auf die gewünschte Stelle setzen. Den gewünschten Prozentwert mit **[+]** einstellen und mit **[OK]** speichern. Der Cursor springt nun auf den Distanzwert.
- 4 Passend zum Prozentwert den passenden Distanzwert in Meter für den leeren Behälter eingeben (z. B. Distanz vom Sensor bis zum Behälterboden).
- 5 Speichern der Einstellungen mit **[OK]** und wechseln mit **[->]** zum Max.-Abgleich.

**Max.-Abgleich durchführen**

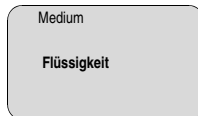
Gehen Sie wie folgt vor:



- 1 Mit **[OK]** den Prozentwert zum Editieren vorbereiten, und den Cursor mit **[->]** auf die gewünschte Stelle setzen. Den gewünschten Prozentwert mit **[+]** einstellen und mit **[OK]** speichern. Der Cursor springt nun auf den Distanzwert.
- 2 Passend zum Prozentwert den passenden Distanzwert in Meter für den vollen Behälter eingeben. Beachten Sie dabei, dass der maximale Füllstand unterhalb des Totbereiches liegen muss.
- 3 Speichern der Einstellungen mit **[OK]** und wechseln mit **[->]** zur Mediumauswahl.

**Mediumauswahl**

Jedes Füllgut hat unterschiedliches Reflexionsverhalten. Bei Flüssigkeiten kommen unruhige Füllgutoberflächen und Schaumbildung als störende Faktoren hinzu. Bei Schüttgütern sind dies Staumentwicklung, Schüttkegel und zusätzliche Echos durch die Behälterwand. Um den Sensor an diese unterschiedlichen Messbedingungen anzupassen, sollte in diesem Menüpunkt zuerst die Auswahl "Flüssigkeit" oder "Schüttgut" getroffen werden.



Bei Schüttgütern kann zusätzlich "Pulver/Staub", "Granulat/Pellets" oder "Schotter/Kiesel" ausgewählt werden.

Durch diese zusätzliche Auswahl wird der Sensor optimal an das Produkt angepasst und die Messsicherheit vor allem bei Medien mit schlechten Reflexionseigenschaften deutlich erhöht.

## Behälterform

Geben Sie die gewünschten Parameter über die entsprechenden Tasten ein, speichern Ihre Eingaben und springen mit der **[>]**-Taste zum nächsten Menüpunkt.

Neben dem Medium kann auch die Behälterform die Messung beeinflussen. Um den Sensor an diese Messbedingungen anzupassen, bietet Ihnen dieser Menüpunkt je nach Auswahl von Flüssigkeit oder Schüttgut verschiedene Auswahlmöglichkeiten. Bei "*Flüssigkeit*" sind dies "*Lagertank*", "*Standrohr*", "*Offener Behälter*" oder "*Rührwerksbehälter*", bei "*Schüttgut*", "*Silo*" oder "*Bunker*".



Geben Sie die gewünschten Parameter über die entsprechenden Tasten ein, speichern Ihre Eingaben und springen mit der **[>]**-Taste zum nächsten Menüpunkt.

## Dämpfung

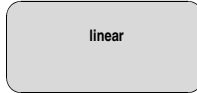
Um Schwankungen in der Messwertanzeige z. B. durch unruhige Füllgutoberflächen zu unterdrücken, kann eine Dämpfung eingestellt werden. Diese Zeit darf zwischen 0 und 999 Sekunden liegen. Beachten Sie bitte, dass damit aber auch die Reaktionszeit der gesamten Messung länger wird und der Sensor auf schnelle Messwertveränderungen nur noch verzögert reagiert. In der Regel genügt eine Zeit von wenigen Sekunden, um die Messwertanzeige weit gehend zu beruhigen.



Geben Sie die gewünschten Parameter über die entsprechenden Tasten ein, speichern Ihre Eingaben und springen mit der **[>]**-Taste zum nächsten Menüpunkt.

## Linearisierungskurve

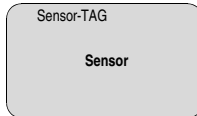
Eine Linearisierung ist bei allen Behältern erforderlich, bei denen das Behältervolumen nicht linear mit der Füllstandhöhe ansteigt - z. B. bei einem liegenden Rundtank oder Kugeltank - und die Anzeige oder Ausgabe des Volumens gewünscht ist. Für diese Behälter sind entsprechende Linearisierungskurven hinterlegt. Sie geben das Verhältnis zwischen prozentualer Füllstandhöhe und dem Behältervolumen an. Durch Aktivierung der passenden Kurve wird das prozentuale Behältervolumen korrekt angezeigt. Falls das Volumen nicht in Prozent, sondern beispielsweise in Liter oder Kilogramm angezeigt werden soll, kann zusätzlich eine Skalierung im Menüpunkt "*Display*" eingestellt werden.



Geben Sie die gewünschten Parameter über die entsprechenden Tasten ein, speichern Ihre Eingaben und springen mit der **[>]**-Taste zum nächsten Menüpunkt.

**Sensor-TAG**

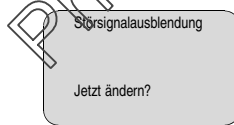
In diesem Menüpunkt kann dem Sensor eine eindeutige Bezeichnung gegeben werden, beispielsweise der Messstellename oder die Tank- bzw. Produktbezeichnung. In digitalen Systemen und der Dokumentation von größeren Anlagen sollte zur genaueren Identifizierung der einzelnen Messstellen eine einmalige Bezeichnung eingegeben werden.



Mit diesem Menüpunkt ist die Grundeinstellung abgeschlossen und Sie können nun mit der **[ESC]**-Taste ins Hauptmenü zurückspringen.

**Störsignalausblendung**

Hohe Stutzen oder Behältereinbauten, wie z. B. Verstreber oder Rührwerke, sowie Anhaftungen oder Schweißnähte an Behälterwänden verursachen Störreflexionen, welche die Messung beeinträchtigen können. Eine Störsignalausblendung erfasst, markiert und speichert diese Störsignale, damit sie für die Füllstandmessung nicht mehr berücksichtigt werden. Dies sollte bei geringem Füllstand erfolgen, damit alle evtl. vorhandenen Störreflexionen erfasst werden können.



Gehen Sie wie folgt vor:

- 1 Wechseln von der Messwertanzeige ins Hauptmenü durch Drücken von **[OK]**.
- 2 Den Menüpunkt "Service" mit **[>]** auswählen und mit **[OK]** bestätigen. Nun wird der Menüpunkt "Störsignalausblendung" angezeigt.
- 3 Bestätigen von "Störsignalausblendung - jetzt ändern" mit **[OK]** und im darunter liegenden Menü "Neu anlegen" auswählen. Die tatsächliche Distanz vom Sensor bis zur Oberfläche des Füllguts eingeben. Alle in diesem Bereich vorhandenen Störsignale werden nun nach Bestätigen mit **[OK]** vom Sensor erfasst und abgespeichert.



### Hinweis:

Überprüfen Sie die Distanz zur Füllgutoberfläche, da bei einer falschen (zu großen) Angabe der aktuelle Füllstand als Störsignal abgespeichert wird. Somit kann in diesem Bereich der Füllstand nicht mehr erfasst werden.

## Sensordaten kopieren

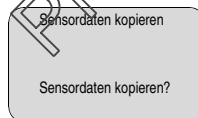
Diese Funktion ermöglicht das Auslesen von Parametrierdaten sowie das Schreiben von Parametrierdaten in den Sensor über das Anzeige- und Bedienmodul. Eine Beschreibung der Funktion finden Sie in der Betriebsanleitung "*Anzeige- und Bedienmodul*".

Folgende Daten werden mit dieser Funktion ausgelesen bzw. geschrieben:

- Messwertdarstellung
- Abgleich
- Medium
- Behälterform
- Dämpfung
- Linearisierungskurve
- Sensor-TAG
- Anzeigewert
- Anzeigeeinheit
- Skalierung
- Stromausgang
- Abgleicheinheit
- Sprache

Folgende sicherheitsrelevante Daten werden **nicht** ausgelesen bzw. geschrieben:

- HART-Betriebsart
- PIM



## Reset

### Grundeinstellung

Wenn die Funktion "*Reset*" durchgeführt wird, setzt der Sensor die Werte folgender Menüpunkte auf die Resetwerte (siehe Tabelle) zurück:<sup>1)</sup>

Funktion	Resetwert
Max.-Abgleich	0 m(d)
Min.-Abgleich	Messbereichsende in m(d) <sup>2)</sup>
Medium	Flüssigkeit
Behälterform	nicht bekannt

<sup>1)</sup> Sensorspezifische Grundeinstellung.

<sup>2)</sup> Je nach Sensortyp, siehe Kapitel "Technische Daten".

Funktion	Resetwert
Dämpfung	0 s
Linearisierung	linear
Sensor-TAG	Sensor
Anzeigewert	Distanz
Stromausgang - Kennlinie	4 ... 20 mA
Stromausgang - Max.-Strom	20 mA
Stromausgang - Min.-Strom	4 mA
Stromausgang - Störung	< 3,6 mA
Abgleicheinheit	m(d)

Die Werte folgender Menüpunkte werden mit dem "Reset" **nicht** auf die Resetwerte (siehe Tabelle) zurückgesetzt:

Funktion	Resetwert
Beleuchtung	kein Reset
Sprache	kein Reset
HART-Betriebsart	kein Reset

**Werkseinstellung**

Wie Grundeinstellung, darüber hinaus werden Spezialparameter auf die Defaultwerte zurückgesetzt.<sup>3)</sup>

**Schleppzeiger**

Die Min. und Max.-Distanz- und Temperaturwerte werden auf den aktuellen Wert zurückgesetzt.

**Optionale Einstellungen**

Zusätzliche Einstell- und Diagnosemöglichkeiten, wie beispielsweise die Anzeigeskalierung, Simulation oder Trendkurvendarstellung sind im nachfolgenden Menüplan abgebildet. Eine nähere Beschreibung dieser Menüpunkte finden Sie in der Betriebsanleitung "Anzeige- und Bedienmodul".

<sup>3)</sup> Spezialparameter sind Parameter, die mit der Bediensoftware PACTware auf der Serviceebene kundenspezifisch eingestellt werden.

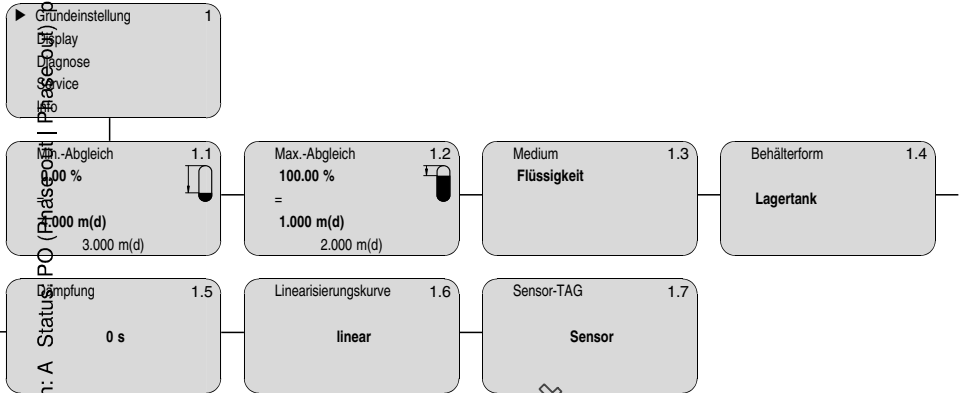
## 6.5 Menüplan Ultraschallsensor



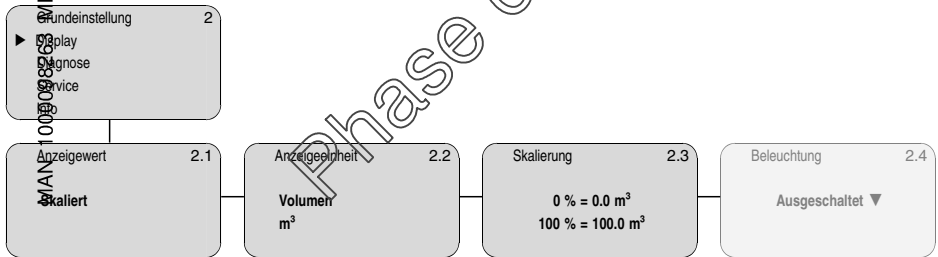
### Information:

Die hell dargestellten Menüfenster stehen je nach Ausstattung und Anwendung nicht immer zur Verfügung.

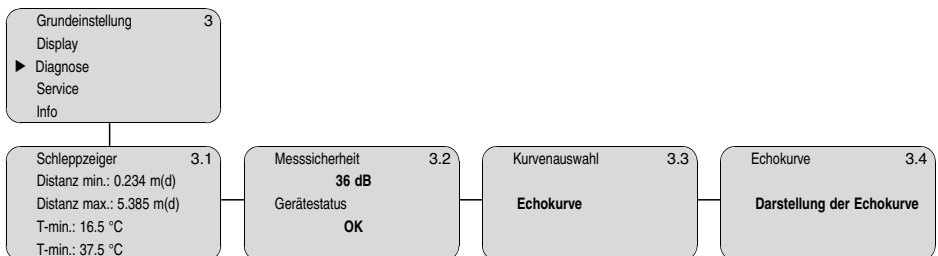
### Grundeinstellung



### Display



### Diagnose





**Service**

Grundeinstellung 4  
 Display  
 Diagnose  
 Service  
 Info

Störsignalausblendung 4.1  
 Jetzt ändern?

Erweiterte Einstellung 4.2  
 Keine ▼

Stromausgang 4.3  
 Kennlinie: 4-20 mA ▼  
 Störmode: > 3.6 mA ▼  
 Min-Strom: 3.8 mA ▼

Simulation 4.4  
 Simulation starten?

Reset 4.5  
 Reset auswählen?

Abgleichinheit 4.6  
 m(d) ▼  
 auswählen?

Sprache 4.7  
 Deutsch ▼

SIL 4.8  
 Nicht aktiviert ▼

HART-Betriebsart 4.9  
 Standard  
 Adresse 0

Sensordaten kopieren 4.10  
 Sensordaten kopieren?

PIN 4.11  
 Jetzt aktivieren?

**Info**

Grundeinstellung 5  
 Display  
 Diagnose  
 Service  
 Info

Gerätetyp 5.1  
 Seriennummer  
 12345678

Kalibrierdatum 5.2  
 10. Januar 2008  
 Softwareversion  
 3.50

letzte Änderung über PC 5.3  
 10. Januar 2008

Sensormerkmale 5.4  
 Jetzt anzeigen?

MAN 1000998263 ML  
 Version: A  
 Status: PO  
 (Phase-out)  
 printed: 29.01.2015

Phase out

## 7 Instandhalten und Störungen beseitigen

### 7.1 Wartung

Bei bestimmungsgemäßer Verwendung ist im Normalbetrieb keine besondere Wartung erforderlich.

### 7.2 Störungen beseitigen

#### Verhalten bei Störungen

Es liegt in der Verantwortung des Anlagenbetreibers, geeignete Maßnahmen zur Beseitigung aufgetretener Störungen zu ergreifen.

#### Störungsursachen

Es wird ein Höchstmaß an Funktionssicherheit gewährleistet. Dennoch können während des Betriebes Störungen auftreten. Diese können z. B. folgende Ursachen haben:

- Sensor
- Prozess
- Spannungsversorgung
- Signalauswertung

#### Störungsbeseitigung

Die ersten Maßnahmen sind die Überprüfung des Ausgangssignals sowie die Auswertung von Fehlermeldungen über das Anzeige- und Bedienmodul. Die Vorgehensweise wird nachfolgend beschrieben.

#### 4 ... 20 mA-Signal überprüfen

Schließen Sie gemäß Anschlussplan ein Handmultimeter im passenden Messbereich an.

- ? 4 ... 20 mA-Signal nicht stabil
  - Füllstandschwankungen
  - Dämpfung über das Anzeige- und Bedienmodul einstellen
- ? 4 ... 20 mA-Signal fehlt
  - Falscher Anschluss
    - Anschluss nach Kapitel "*Anschlussschritte*" prüfen und ggf. nach Kapitel "*Anschlussplan*" korrigieren
  - Keine Spannungsversorgung
    - Leitungen auf Unterbrechung prüfen, ggf. reparieren
  - Betriebsspannung zu niedrig bzw. Bürdenwiderstand zu hoch
    - Prüfen, ggf. anpassen
- ? Stromsignal größer 22 mA oder kleiner 3,6 mA
  - Elektronikinsatz defekt
    - Gerät austauschen bzw. zur Reparatur einsenden



Bei Ex-Anwendungen sind die Regeln für die Zusammenschaltung von eigensicheren Stromkreisen zu beachten.

**Fehlermeldungen über  
das Anzeige- und Be-  
triebsmodul**

- ? E013
- Kein Messwert vorhanden
  - Sensor in Einlaufphase
  - Sensor findet kein Echo z. B. durch fehlerhaften Einbau oder falsche Parametrierung
- ? E017
- Abgleichspanne zu klein
  - Abgleich erneut durchführen, dabei den Abstand zwischen Min.- und Max.-Abgleich vergrößern
- ? E036
- Keine lauffähige Sensorsoftware
  - Softwareupdate durchführen bzw. Gerät zur Reparatur ein-senden
- ? E041
- Hardwarefehler, Elektronik defekt
  - Gerät austauschen bzw. zur Reparatur einsenden

**Verhalten nach Stö-  
rungsbeseitigung**

Je nach Störungsursache und getroffenen Maßnahmen sind ggf. die im Kapitel "*In Betrieb nehmen*" beschriebenen Handlungsschritte erneut zu durchlaufen.

Phase out

## 8 Ausbauen

### 8.1 Ausbauschritte

**Warnung:**

Achten Sie vor dem Ausbauen auf gefährliche Prozessbedingungen wie z. B. Druck im Behälter, hohe Temperaturen, aggressive oder toxische Füllgüter etc.

Beachten Sie die Kapitel "*Montieren*" und "*An die Spannungsversorgung anschließen*" und führen Sie die dort angegebenen Schritte sinngemäß umgekehrt durch.

### 8.2 Entsorgen

Das Gerät besteht aus Werkstoffen, die von darauf spezialisierten Recyclingbetrieben wieder verwertet werden können. Wir haben hierzu die Elektronik leicht trennbar gestaltet und verwenden recyclebare Werkstoffe.

**WEEE-Richtlinie 2002/96/EG**

Das vorliegende Gerät unterliegt nicht der WEEE-Richtlinie 2002/96/EG und den entsprechenden nationalen Gesetzen. Führen Sie das Gerät direkt einem spezialisierten Recyclingbetrieb zu und nutzen Sie dafür nicht die kommunalen Sammelstellen. Diese dürfen nur für privat genutzte Produkte gemäß WEEE-Richtlinie genutzt werden.

Eine fachgerechte Entsorgung vermeidet negative Auswirkungen auf Mensch und Umwelt und ermöglicht eine Wiederverwendung von wertvollen Rohstoffen.

Werkstoffe, siehe Kapitel "*Technische Daten*"

Sollten Sie keine Möglichkeit haben, das Altgerät fachgerecht zu entsorgen, so sprechen Sie mit uns über Rücknahme und Entsorgung.

## 9 Anhang

### 9.1 Technische Daten

#### Allgemeine Daten

Verkstoffe, medienberührt	
Prozessanschluss	UP
Schallwandlermembran	1.4571
Dichtung Schallwandlermembran/Prozessanschluss	EPDM
Verkstoffe, nicht medienberührt	
Montagebügel	1.4301
Überwurfflansch	PPH, 316L
Gehäuse	Kunststoff PBT (Polyester), 316L
Dichtung zwischen Gehäuse und Gehäusedeckel	Silikon
Sichtfenster im Gehäusedeckel für Anzeige- und Bedienmodul	Polycarbonat
Erdungsklemme	316Ti/316L
Gewicht	2,7 ... 25,7 kg (6 ... 12.6 lbs), je nach Prozessanschluss und Gehäuse

#### Ausgangsgröße

Ausgangssignal	4 ... 20 mA/HART
HART-Ausgangswerte	
HART-Wert (Primary Value)	Distanz zum Füllstand
HART-Wert (Secondary Value)	Temperatur
HART-Wert (3rd Value)	Distanz zum Füllstand - skaliert
Signalauflösung	1,6 µA
Ausfallsignal Stromausgang (einstellbar)	mA-Wert unverändert, 20,5 mA, 22 mA, < 3,6 mA
Strombegrenzung	22 mA
Bürde	siehe Bürdendiagramm unter Spannungsversorgung
Dämpfung (63 % der Eingangsgröße)	0 ... 999 s, einstellbar
Erfüllte NAMUR-Empfehlung	NE 43

#### Eingangsgröße

Messgröße	Abstand zwischen Schallwandlerunterkante und Füllgutoberfläche
Messbereich	
– Flüssigkeiten	bis 15 m (49.21 ft)
– Schüttgüter	bis 7 m (22.97 ft)

Totbereich 0,6 m (1.969 ft)

### Messgenauigkeit (in Anlehnung an DIN EN 60770-1)

Referenzbedingungen nach DIN EN 61298-1

- Temperatur	+18 ... +30 °C (+64 ... +86 °F)
- Relative Luftfeuchte	45 ... 75 %
- Luftdruck	860 ... 1060 mbar/86 ... 106 kPa (12.5 ... 15.4 psig)

### Kennlinienabweichung und Messcharakteristiken<sup>4)</sup>

Mittlerer Temperaturkoeffizient des Nullsignals (Temperaturfehler)	0,06 %/10 K
Messauflösung allgemein	max. 1 mm
Ultraschallfrequenz	35 kHz
Messintervall	> 2 s (abhängig von der Parametrierung)
Abschaltwinkel bei -3 dB	3°
Einschaltzeit <sup>5)</sup>	> 3 s (abhängig von der Parametrierung)
Genauigkeit	besser 0,2 % oder ±6 mm (siehe Diagramm)

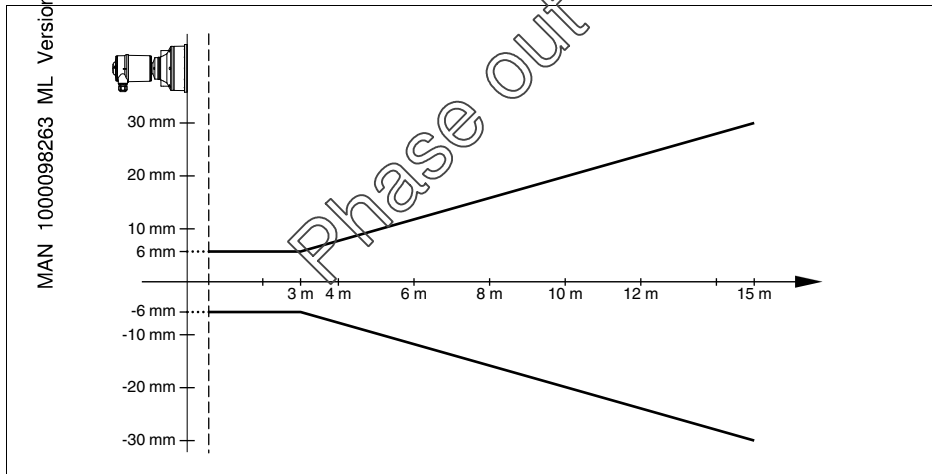


Abb. 20: Genauigkeit LEVEL TRANSMITTER 8178

<sup>4)</sup> Bezogen auf den Nennmessbereich, inkl. Hysterese und Wiederholbarkeit, ermittelt nach der Grenzpunktmethode.

<sup>5)</sup> Zeit bis zur richtigen Ausgabe (max. 10 % Abweichung) des Füllstandes bei einer sprunghaften Füllstandänderung.

**Umgebungsbedingungen**

Umgebungs-, Lager- und Transporttempera- -40 ... +80 °C (-40 ... +176 °F)  
ur

**Prozessbedingungen**

Prozessdruck  
primär mit Überwurfflansch -20 ... 100 kPa/-0,2 ... 1 bar (-2.9 ... 14.5 psi)  
out mit Montagebügel 0 kPa, da keine Dichtmöglichkeit

Prozessstemperatur (Schallwandlertempera- -40 ... +80 °C (-40 ... +176 °F)  
ture)

Vibrationsfestigkeit mechanische Schwingungen mit 4 g und  
 5 ... 100 Hz<sup>6)</sup>

**Elektromechanische Daten**

Kabeleinführung 1 x Kabelverschraubung M20 x 1,5 (Kabel:  
 ø 5 ... 9 mm), 1 x Blindstopfen M20 x 1,5

Druckkraftklemmen für Leitungsquerschnitt 2,5 mm<sup>2</sup> (AWG 14)

**Anzeige- und Bedienmodul**

Spannungsversorgung und Datenübertra- durch den Sensor  
 gung

Anzeige LC-Display in Dot-Matrix

Bedienelemente 4 Tasten

Schutzart  
 - lose IP 20  
 - Eingebaut im Sensor ohne Deckel IP 40

Verkstoffe  
 - Gehäuse ABS  
 - Sichtfenster Polyesterfolie

**Spannungsversorgung**

Betriebsspannung 14 ... 36 V DC

Betriebsspannung mit beleuchtetem Anzei- 20 ... 36 V DC  
 ge- und Bedienmodul<sup>7)</sup>

Zulässige Restwelligkeit  
 - < 100 Hz U<sub>ss</sub> < 1 V  
 - 100 Hz ... 10 kHz U<sub>ss</sub> < 10 mV

<sup>6)</sup> Geprüft nach den Richtlinien des Germanischen Lloyd, GL-Kennlinie 2.  
<sup>7)</sup> Für Geräte mit landesspezifischen Zulassungen wie z. B. nach CSA erst zu einem späteren Zeitpunkt verfügbar.

Bürde

siehe Diagramm

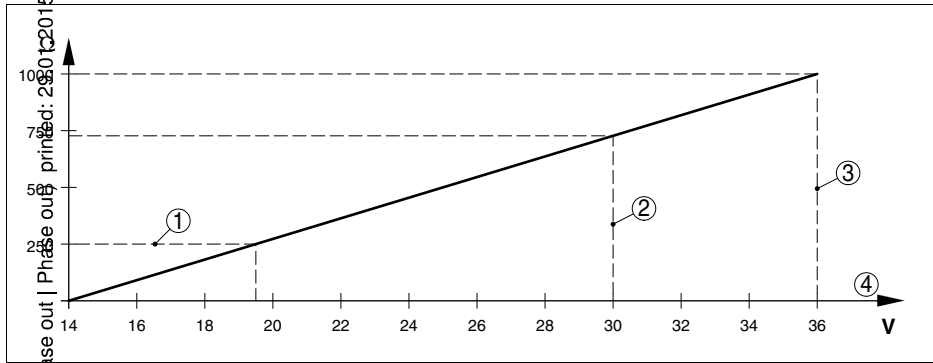


Abb. 21: Spannungsdiagramm

- 1 HART-Bürde
- 2 ohne Bürde
- 3 Spannungsgrenze
- 4 Betriebsspannung

**Elektrische Schutzmaßnahmen**

Schutzart IP 66/IP 67  
 Überspannungskategorie III  
 Schutzklasse II

Phase out

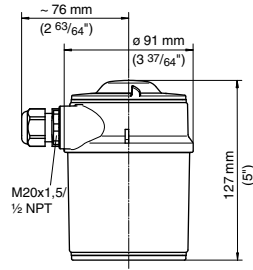
Schutzklasse

MAN 1000098263



## 9.2 Maße

### Gehäuse



MAN 1000098263 ML Version: A Status: BO (Phase-out | Phase-out) printed: 29.01.2015

Abb. 22: Gehäuse

Phase out



MAN 1000098263 ML Version: A Status: PO (Phase out | Phase out) printed: 29.01.2015

Phase out

MAN 1000098263 ML Version: A Status: PO (Phase out | Phase out) printed: 29.01.2015

Phase out

The smart choice  
of Fluid Control Systems  
[www.buerkert.com](http://www.buerkert.com)

**bürkert**  
FLUID CONTROL SYSTEMS

**Technische Änderungen vorbehalten**

**32060-DE-081114**