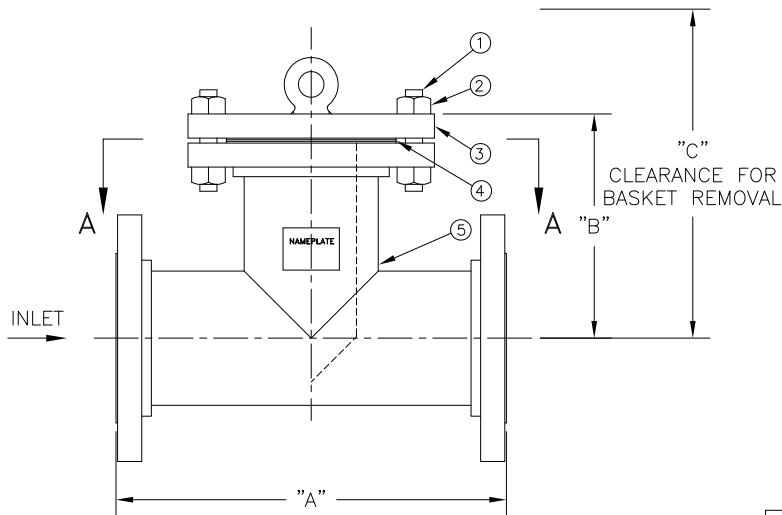
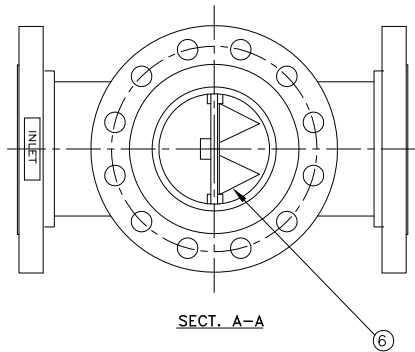


| PIPE SIZE (NOMINAL) | DIMENSIONS | | | APPROX. WEIGHT (DRY) | PART NO. |
|------------------------|--------------|-------------|--------------|-------------------------|---------------|
| | "A" | "B" | "C" | | |
| | IN. (MM) | IN. (MM) | IN. (MM) | LBS. (KGS) | |
| 14 (350mm) | 33.25 / 845 | 18.88 / 480 | 45.00 / 1143 | 1010 / 458.1 | ST091140DR3BA |
| 16 (400mm) | 35.50 / 902 | 20.12 / 511 | 48.00 / 1219 | 1285 / 582.9 | ST091160DR3BA |
| 18 (450mm) | 39.50 / 1003 | 22.25 / 565 | 53.00 / 1346 | 1650 / 748.4 | ST091180DR3BA |
| 20 (500mm) | 42.75 / 1086 | 24.00 / 610 | 57.00 / 1448 | 2100 / 952 | ST091200DR3BA |
| 24 (600mm) | 47.25 / 1200 | 26.50 / 673 | 64.00 / 1626 | 3200 / 1450 | ST091240DR3BA |


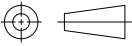
| REVISIONS | | | | |
|-----------|--------------------|----|---------|------------|
| REV | DESCRIPTION | BY | ECO | DATE |
| D | UPDATE TITLE BLOCK | FM | 0104921 | 11/24/2014 |



| NO. | PART NAME | MATERIAL |
|-----|--------------|------------------|
| 1 | STUDS | ASTM A193 GR. B7 |
| 2 | NUTS | ASTM A194 GR. 2H |
| 3 | COVER | CARBON STEEL |
| 4 | GASKET | NON-ASBESTOS |
| 5 | BODY | CARBON STEEL |
| 6 | BASKET | 316 SSTL |
| | PERF. / MESH | |

NOTES:

1. STRAINER IS DESIGNED AND FABRICATED IN ACCORDANCE WITH ASME B31.1 POWER PIPING CODE.
2. ALL DIMENSIONS ON IN INCHES / MM.
3. ALL FITTINGS CONFORM TO ASME STANDARD.
4. DESIGN PRESSURE: 375 PSIG @ 150° F (25.9 BAR @ 65.6°C)

| | | | | | |
|---------------------------|-----------|--|-----------|--------------------------|----------|
| DRAWN BY FM | |  EATON HYDRAULICS GROUP FILTRATION DIVISION GALESBURG, MICHIGAN, USA • TINTON FALLS, NEW JERSEY, USA | | | |
| SCALE AS DRAWN | | | | | |
| RESTRICTION RESTRICTED | | TITLE MODEL 91 TEE STRAINER BOLTED COVER SIZES 14" TO 24" 300#RF FLANGE CARBON STEEL | | | |
| SHEET 1 OF 1 | | DATE 11/5/97 | SIZE A | DWG FILENAME SD091BC9 | REV D |
| PROJECTION THIRD ANGLE | |  | | | |
| CUSTOMER INFO | | EATON CORPORATION - CONFIDENTIAL AND PROPRIETARY NOTICE TO PERSONS RECEIVING THIS DRAWING AND/OR TECHNICAL INFORMATION. THIS DOCUMENT, INCLUDING THE DRAWING AND INFORMATION CONTAINED THEREON IS CONFIDENTIAL AND IS THE EXCLUSIVE PROPERTY OF EATON AT ANY TIME. BY TAKING THE POSSESSION OF THIS DOCUMENT THE RECIPIENT ACKNOWLEDGES AND AGREES THAT THIS DOCUMENT CANNOT BE USED IN ANY MANNER ADVERSE TO THE INTEREST OF EATON AND THAT NO PORTION OF THIS DRAWING MAY BE COPIED OR OTHERWISE REPRODUCED WITHOUT THE PRIOR WRITTEN CONSENT OF EATON, IN THE CASE OF CONFLICTING CONTRACTUAL PROVISIONS, THIS NOTICE SHALL GOVERN THE STATUS OF THIS DOCUMENT. 2014 EATON CORPORATION - ALL RIGHTS RESERVED. | | | |
| NAME | | | | | |
| P.O. NO. | | | | | |
| TAG NO. | | | | | |
| S.O. NO. | | | | | |
| PART NO. | SEE TABLE | | | | |