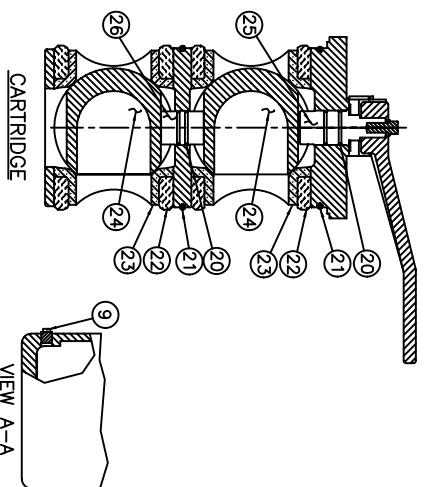
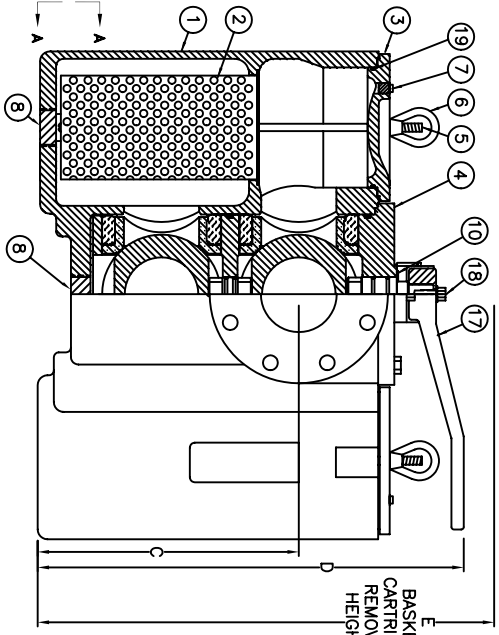
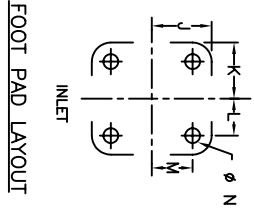
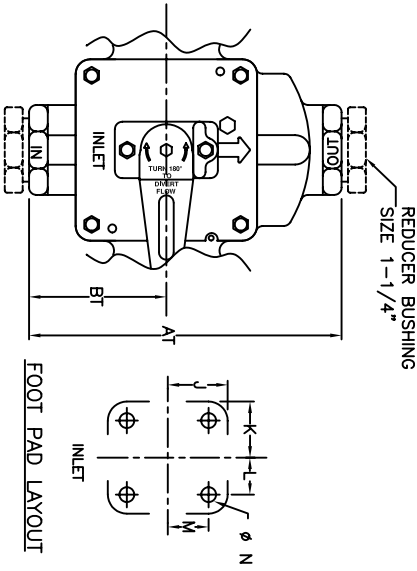
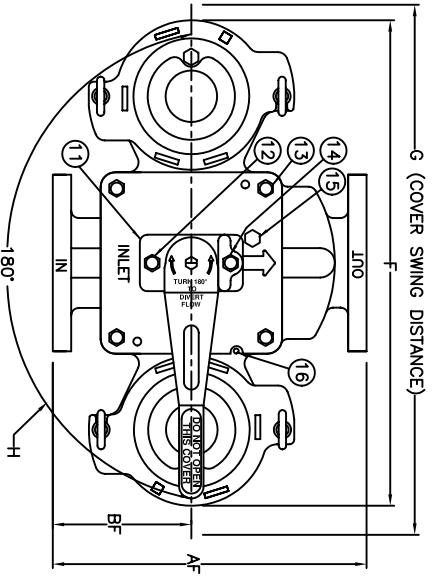


| PIPE SIZE (NOMINAL) IN. MM. | AF±0.13 IN. MM. | BF IN. MM. | AT±0.13 IN. MM. | BT IN. MM. | C IN. MM. | D IN. MM. | E IN. MM. | F IN. MM. | G IN. MM. | H IN. MM. | J IN. MM. | K IN. MM. | L IN. MM. | M IN. MM. | N IN. MM. | STRAINER WEIGHT LBS. KGS. | STRAINER PART NO. | | | | | | | | |
|--------------------------------------|-----------------------|------------------|-----------------------|------------------|-----------------|-----------------|-----------------|-----------------|-----------------|-----------------|-----------------|-----------------|-----------------|-----------------|-----------------|------------------------------------|----------------------|---|---|---|---|---|---|---|---|
| | | | | | | | | | | | | | | | | | | 1 | 2 | 3 | 4 | 5 | 6 | 7 | 8 |
| 3/4 (20) | | | 5.50 / 140 | 2.53 / 64 | 5.00 / 127 | 10.50 / 267 | 13.38 / 340 | 10.50 / 268 | 16.50 / 419 | 7.88 / 200 | 3.25 / 83 | 2.13 / 54 | 1.63 / 41 | 2.75 / 70 | 3/8 (10) | 37 / 17 | ST053007AT46TS | | | | | | | | |
| 1 (25) | | | 5.50 / 140 | 2.53 / 64 | 5.00 / 127 | 10.50 / 267 | 13.38 / 340 | 10.50 / 268 | 16.50 / 419 | 7.88 / 200 | 3.25 / 83 | 2.13 / 54 | 1.63 / 41 | 2.75 / 70 | 3/8 (10) | 37 / 17 | ST053010AT46TS | | | | | | | | |
| 1-1/4 (32) | | | 6.88 / 175 | 3.19 / 81 | 5.00 / 127 | 10.50 / 267 | 13.38 / 340 | 10.50 / 268 | 16.50 / 419 | 7.88 / 200 | 3.25 / 83 | 2.13 / 54 | 1.63 / 41 | 2.75 / 70 | 3/8 (10) | 42 / 19 | ST053010AF46TS | | | | | | | | |
| 1-1/2 (40) | | | 8.75 / 222 | 3.88 / 99 | 6.81 / 173 | 12.75 / 324 | 17.00 / 432 | 13.25 / 330 | 19.88 / 505 | 7.88 / 200 | 3.25 / 83 | 2.13 / 54 | 1.63 / 41 | 2.75 / 70 | 3/8 (10) | 80 / 36 | ST053012AT46TS | | | | | | | | |
| 2 (50) | | | 9.38 / 238 | 4.31 / 109 | 6.81 / 173 | 12.75 / 324 | 17.00 / 432 | 13.25 / 330 | 19.88 / 505 | 7.88 / 200 | 3.25 / 83 | 2.13 / 54 | 1.63 / 41 | 2.75 / 70 | 3/8 (10) | 83 / 38 | ST053015AT46TS | | | | | | | | |
| 2-1/2 (63) | | | 10.00 / 254 | 4.50 / 114 | 8.38 / 213 | 15.50 / 394 | 21.75 / 552 | 17.38 / 441 | 26.25 / 667 | 10.63 / 270 | 4.69 / 119 | 2.50 / 64 | 1.81 / 46 | 4.00 / 102 | 5/8 (16) | 157 / 71 | ST053020AT46TS | | | | | | | | |
| 3 (80) | | | 10.63 / 270 | 4.63 / 117 | 8.38 / 213 | 15.50 / 394 | 21.75 / 552 | 17.38 / 441 | 26.25 / 667 | 10.63 / 270 | 4.69 / 119 | 2.50 / 64 | 1.81 / 46 | 4.00 / 102 | 5/8 (16) | 167 / 76 | ST053020AF46TS | | | | | | | | |
| 4 (100) | | | 10.75 / 273 | 4.69 / 119 | 8.38 / 213 | 15.50 / 394 | 21.75 / 552 | 17.38 / 441 | 26.25 / 667 | 10.63 / 270 | 4.69 / 119 | 2.50 / 64 | 1.81 / 46 | 4.00 / 102 | 5/8 (16) | 183 / 83 | ST053025AF46TS | | | | | | | | |
| | | | 13.50 / 343 | 5.93 / 151 | 8.88 / 226 | 18.00 / 457 | 26.50 / 673 | 22.75 / 578 | 35.00 / 889 | 12.00 / 305 | 4.69 / 119 | 2.50 / 64 | 1.81 / 46 | 4.00 / 102 | 5/8 (16) | 285 / 129 | ST053030AF46TS | | | | | | | | |
| | | | 16.00 / 406 | 7.06 / 179 | 13.25 / 337 | 21.63 / 549 | 33.00 / 838 | 24.75 / 629 | 36.75 / 933 | 12.00 / 305 | 5.19 / 132 | 3.94 / 100 | 3.25 / 83 | 4.50 / 114 | 5/8 (16) | 391 / 177 | ST053040AF46TS | | | | | | | | |

DIMENSIONS



| ITEM | PART NAME | MATERIAL | QTY. |
|--------|---------------|---------------------------|------------|
| 1 | BODY | CAST IRON, A126 CL. B | 1 |
| 2▲ | BASKET | STAINLESS STEEL, 316 | 2▲ |
| | PERF. DIA. | | |
| | MESH SIZE | | |
| 3 | COVER | DUCTILE IRON, A395 | 2 |
| 4 | CARTRIDGE | DUCTILE IRON, A395 | 1 |
| 5 | STUD | CARBON STEEL | 4 |
| 6 | EYENUT | CARBON STEEL | 4 |
| 7 | PIPE PLUG | CAST IRON | 2, 3, 2 |
| 8▲ | WASHER | STAINLESS STEEL | 1▲ |
| 10▲ | STEM RETAINER | STAINLESS STEEL | 1▲ |
| 12 | CAP SCREW | CARBON STEEL | 1, 4, 1 |
| 13 | VENT VALVE | BRASS | 1 |
| 15 | PIN | CARBON STEEL | 1 |
| 16 | HANDLE | DUCTILE IRON/CARBON STEEL | 1 |
| 17 | CAP SCREW | CARBON STEEL | 1 |
| 18 | O-RING | BUANA-N | 2▲, 1▲, 2▲ |
| 19▲ | SEAL | BUANA-N | 4▲, 4▲ |
| 20▲ | SEAT | TEFLON | 4▲ |
| 23▲ | BALL | STAINLESS STEEL | 4▲ |
| 24 | STEM | STAINLESS STEEL | 2 |
| 25, 26 | STEM | STAINLESS STEEL | 1, 1 |

(▲ - SPARES)

NOTES: 1. INLET/OUTLET CONNECTIONS PER ANSI STANDARDS.
2. MAX. WORKING PRESSURE: 200 PSI @ 150° F (13.8 BAR @ 65.5° C)

CERTIFIED FOR: --

P.O. NO.: -- QUOTE NO.: --
REG. NO.: -- TAG NO.: --

EATON
900 FAIRMOUNT AVENUE, ELIZABETH, NEW JERSEY 07207

EATON FILTRATION, LLC

NAME MODEL 53 "BTX" - DUPLEX STRAINER
ANSI CLASS 125 FF FLANGE & NPT
SIZES 3/4" THROUGH 4" CAST IRON

| DRWING | DATE | BY | DATE | REV |
|--------|----------|----|----------|-----|
| VA | 08/16/99 | WB | 08/16/99 | F |

SIZE A

SD053081

ELECTRONIC FILE NAME: SD053081.DWG
REF. ECR D627 DATE 12/15/05

UNAUTHORIZED USE, MANUFACTURE OR REPRODUCTION IN WHOLE OR IN PART IS PROHIBITED. DRAWING, DESIGN AND OTHER DISCLOSURES PROPERTY OF EATON FILTRATION, LLC