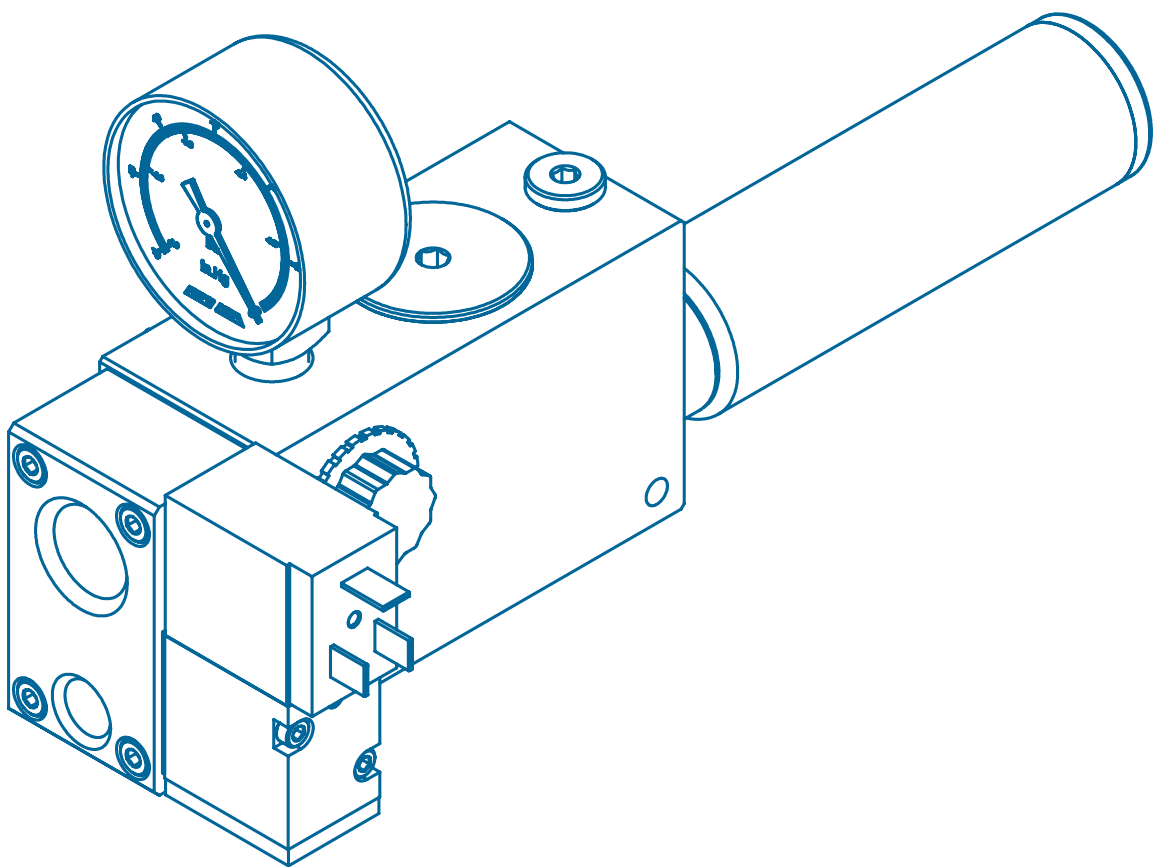
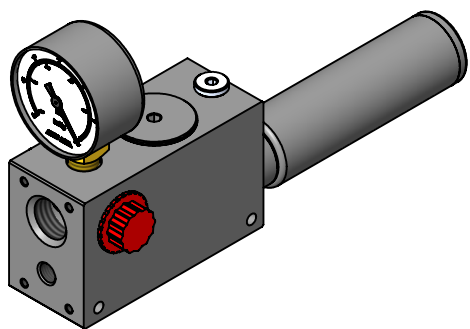


VG & VQ PUMPS

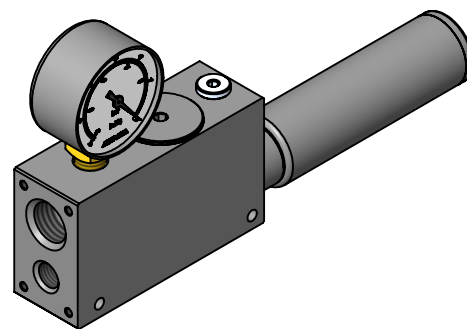
SECTION 9



VG & VQ PUMPS



VG Pumps
(Interchange w/ Gast VG-Series)



VQ Pumps
(Interchange w/ Vac-Cube 60-240 Series)

Information	3
VG Pumps	4
VQ Pumps	5
Options	6
Performance	7

VG & VQ PUMPS

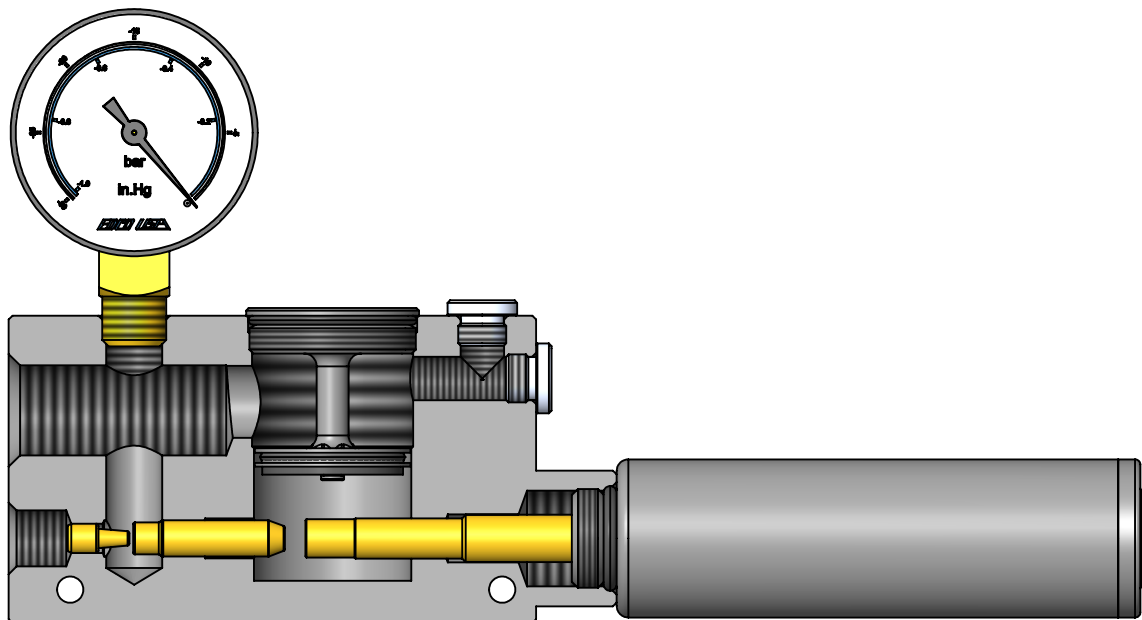
EDCO VG and VQ series vacuum pumps have different bodies to make them directly interchangeable with competitor pumps but utilize the same ejetor nozzles. Performance is the same regardless of which body style you choose. These multi-stage vacuum pumps are designed as direct physical replacements for competitive brand pumps and consistently provide equal or better performance. Customers who were previously limited to a sole source for pumps of this style will now have the option of using higher-quality, all-metal EDCO pumps.

VG and VQ series multi-stage pumps are designed as a drop-in interchange for similarly shaped, competitor pumps, but the similarity ends there. Our all-metal pumps feature externally removable, one-piece valves and one-piece, fully machined aluminum bodies to eliminate loose parts and are manufactured in-house on precision, CNC machines to the highest quality standards.

EDCO pumps produce consistently higher performance because of our precision-machined brass nozzles and one-piece valve with over three times the flow area of competitive designs which provides improved vacuum-flow and increased ability to pass ingested debris. EDCO quality control inspectors individually test each and every product before shipment to assure that catalog specifications are met.

An option exclusive to EDCO is an integral solenoid control valve to control on/off which reduces plumbing complexity, fitting costs, and labor as well as increases system reliability by eliminating potential leak points. The solenoid valve is shipped assembled to the pump in the normally-closed (not-passing) mode but can be easily changed to normally-open (passing) by simply inverting the valve whenever the application requires it.

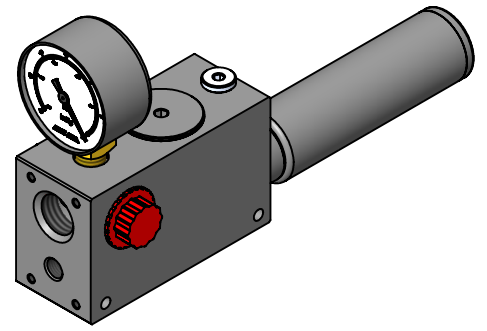
Instead of gang-mounting multiple VG or VQ series pumps to a manifold to obtain a higher flow capacity pump, EDCO offers larger, multi-stage pumps in the classic series (3/4" ports) or dual-base classic series (1-1/2" ports) styles that are much more compact and easier to maintain.



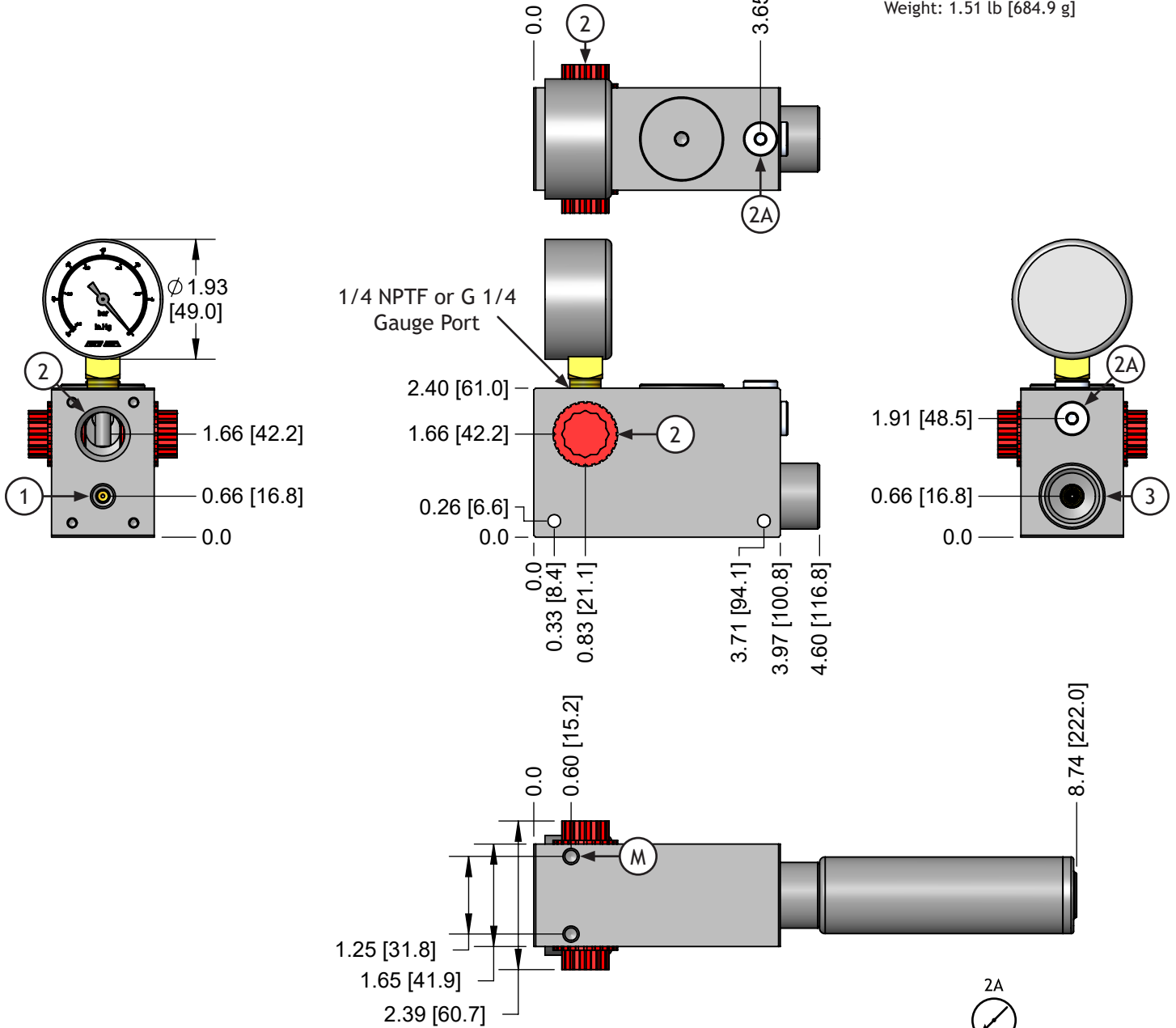
VG PUMPS

Capacity	Ports		Solenoid Option		Solenoid Position ¹	
VG- 065						
065	(Blank)	NPTF	(Blank)	None	(Blank)	n/a
075	-G	G Threads	-12V	12 Volt DC	-L	Left Side
130			-24V	24 Volt DC	-R	Right Side
140						
260						

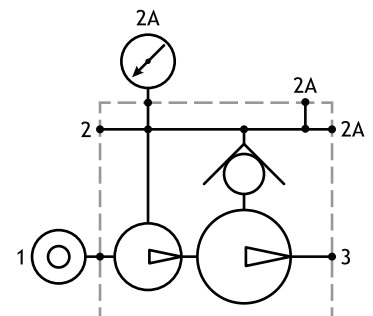
¹When selecting the solenoid option, you must pick a solenoid voltage. Solenoid will be shipped in the normally closed position.



Weight: 1.51 lb [684.9 g]

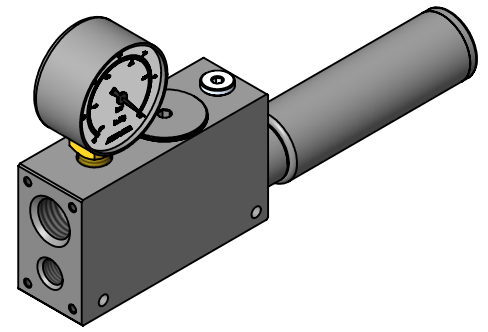


Code	Function	NPTF	G
1	Air Supply	G 1/8 NPSF	
2	Vacuum - Main	1/2 NPTF	G 1/2
2A	Vacuum - Alternate	G 1/8 NPSF	
3	Exhaust	G 1/2 NPSF	
M	Mounting Holes	1/4-20	M6X1.0



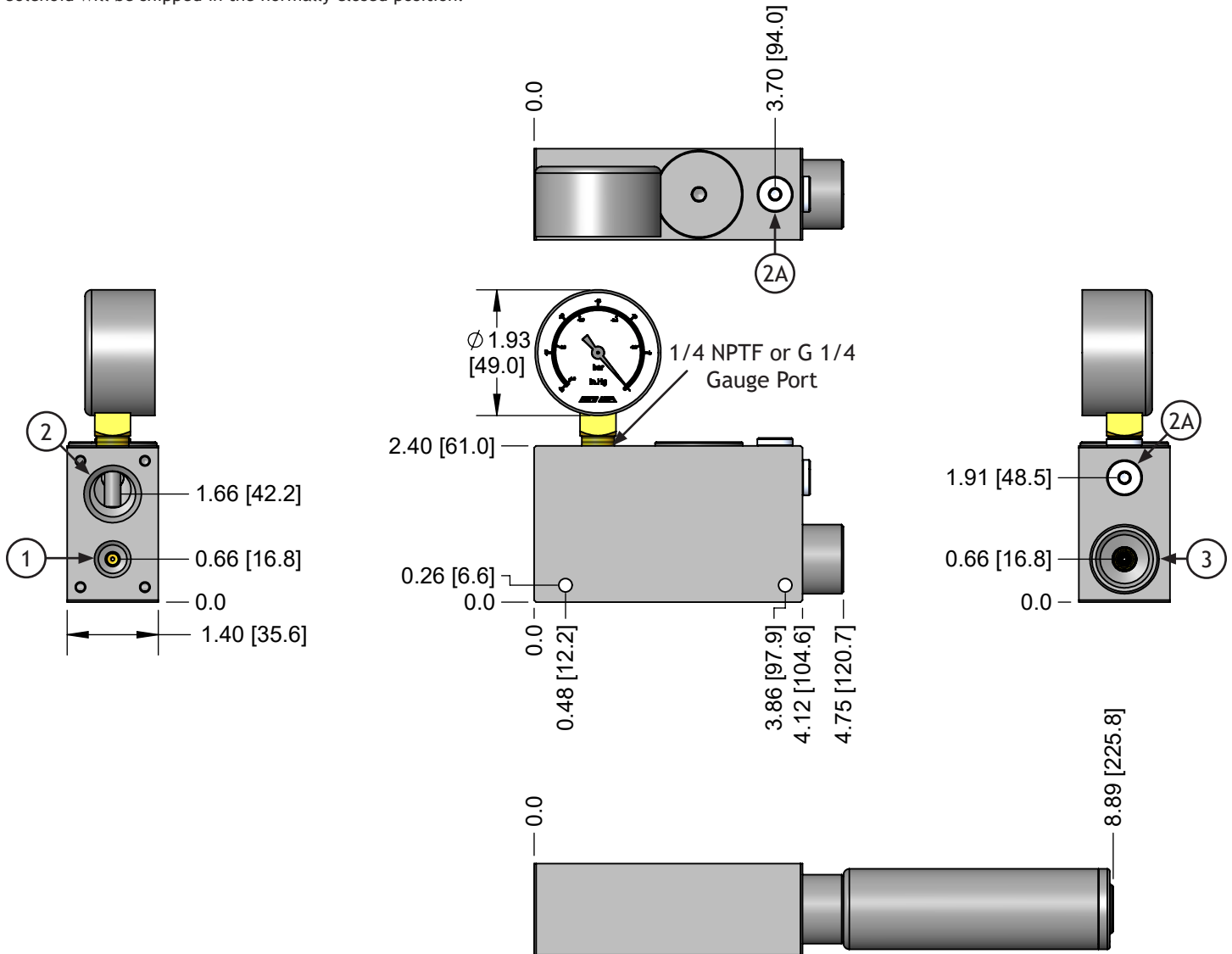
VQ PUMPS

Capacity	Ports		Solenoid Option		Solenoid Position ¹	
VG- 60						
60	(Blank)	NPTF	(Blank)	None	(Blank)	n/a
60L	-G	G Threads	-12V	12 Volt DC	-L	Left Side
120			-24V	24 Volt DC	-R	Right Side
120L						
180						
180L						
240						

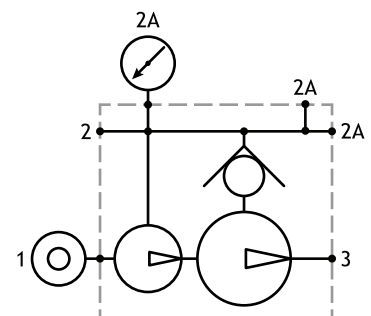


Weight: 1.35 lb [612.3 g]

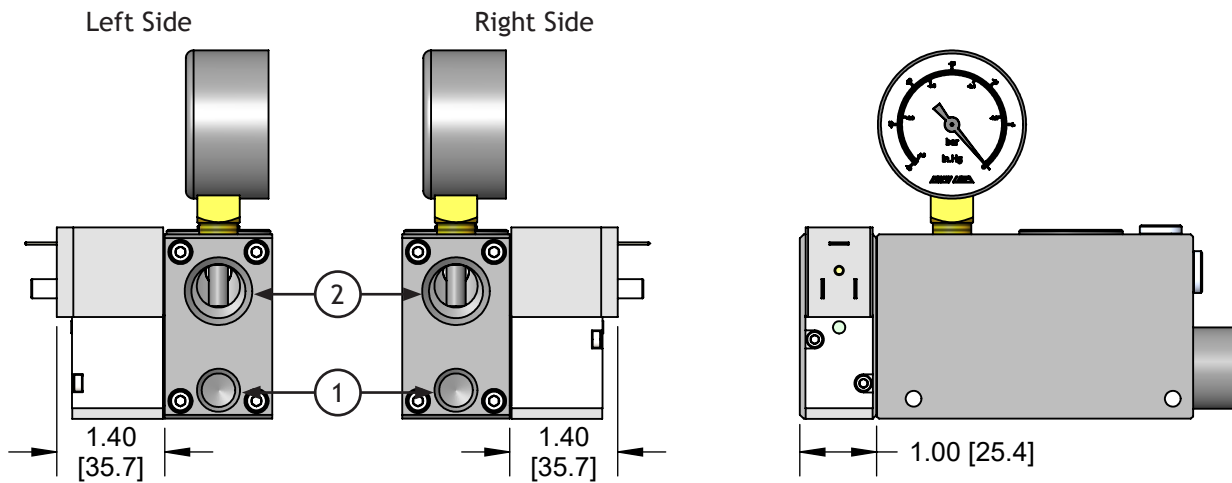
¹When selecting the solenoid option, you must pick a solenoid voltage. Solenoid will be shipped in the normally closed position.



Code	Function	NPTF	G
1	Air Supply	G 1/8 NPSF	
2	Vacuum - Main	1/2 NPTF	G 1/2
2A	Vacuum - Alternate	G 1/8 NPSF	
3	Exhaust	G 1/2 NPSF	



VG & VQ PUMPS: SOLENOID OPTIONS



Additional Weight: 0.40 lb [181.4 g]

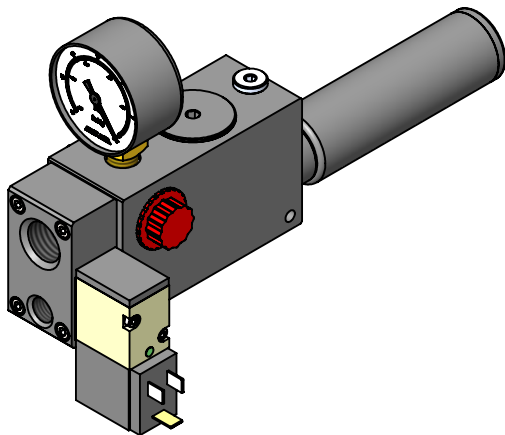
Order DIN T-1 Molded Cords Separately:
163-2M31: 2M Cord w/ Varistor & LED, 12-24 V DC

Code	Function	NPTF	G
1	Air Supply	1/4 NPTF	G 1/4
2	Vacuum - Main	1/2 NPTF	G 1/2

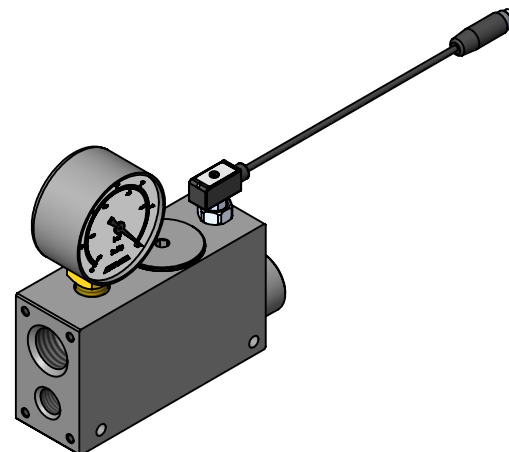
EXAMPLES

These additional options are shown for demonstration purposes only.

Please order any additional items needed separately.

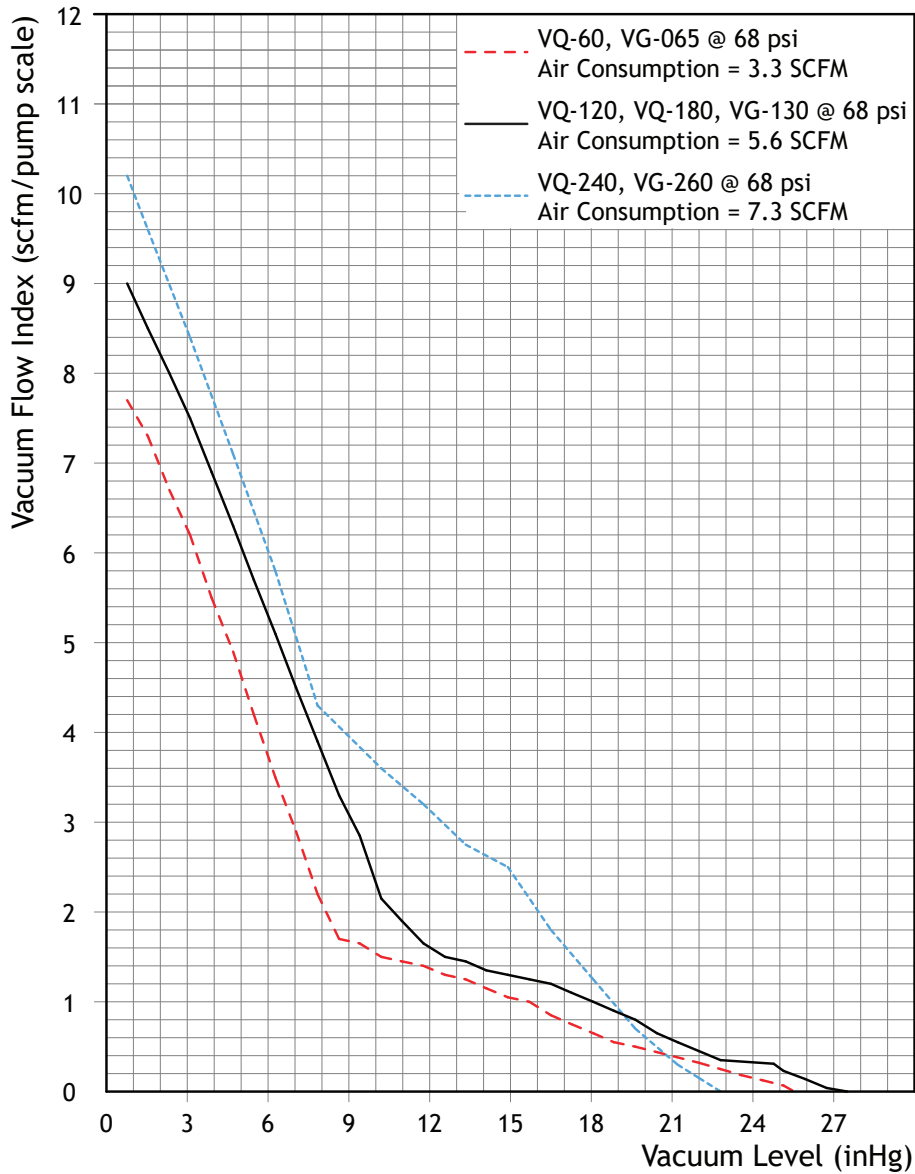


Normally Open Solenoid
 Flip solenoid 180° for normally open mode.



V-Series Vacuum Switch

VG & VQ PUMPS: PERFORMANCE



VACUUM FLOW - SCFM

Model		Air Supply PSI	Air Consu SCFM	Max Vacuum inHg	SCFM at Vacuum Level							
					3 inHg	6 inHg	9 inHg	12 inHg	15 inHg	18 inHg	21 inHg	24 inHg
VG-065	VQ-60	68	3.3	25.5	6.3	3.8	1.7	1.4	1.0	0.7	0.4	0.15
VG-130	VQ-120	68	5.6	27.5	7.6	5.3	3.1	1.6	1.3	1.0	0.6	0.3
-	VQ-180	68	5.6	27.5	7.6	5.3	3.1	1.6	1.3	1.0	0.6	0.3
VG-260	VQ-240	68	7.3	22.7	8.5	6.0	4.0	3.1	2.5	1.3	0.4	-

SCFM X 28.32 = nl / m

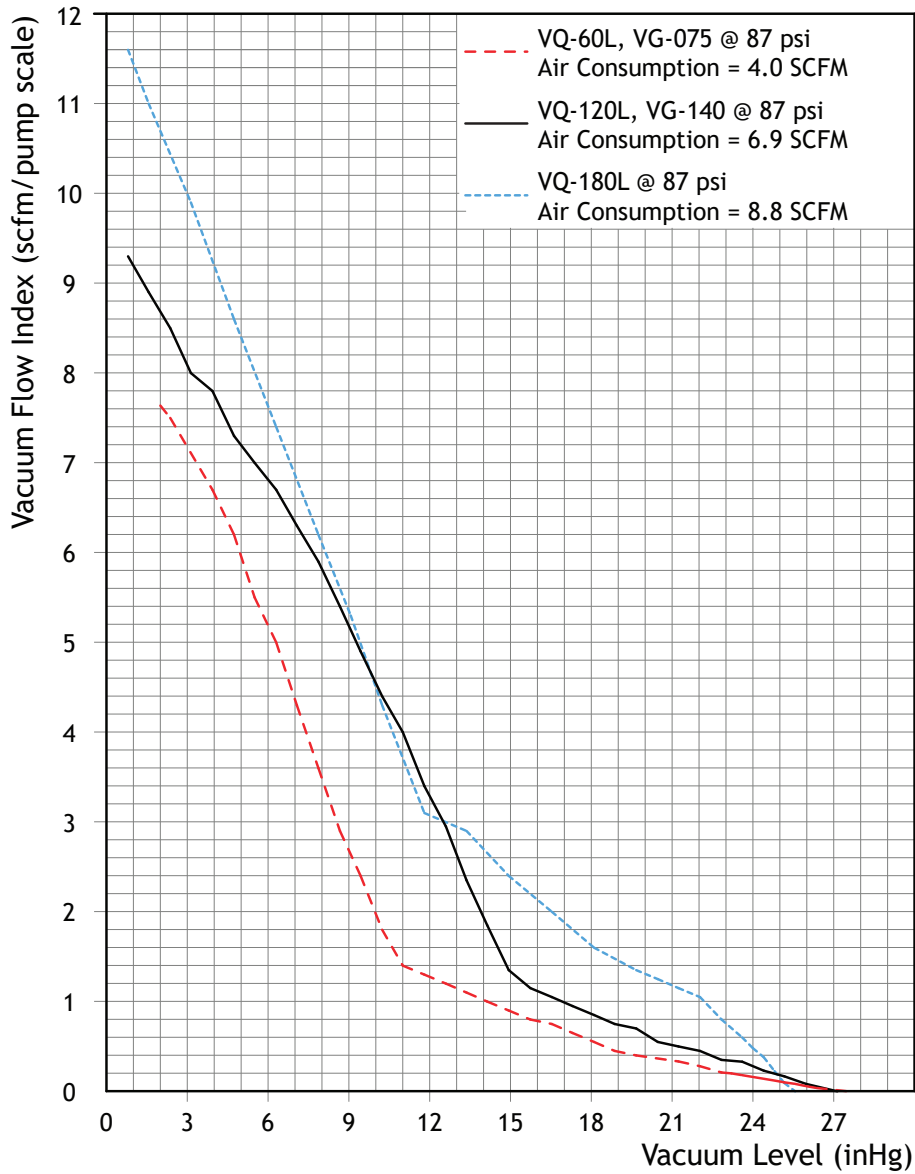
EVACUATION TIME - SEC / FT³

Model		Air Supply PSI	Air Consu SCFM	Max Vacuum inHg	Seconds to Evacuate 1 ft ³ to Vacuum Level (inHg)							
					3 sec	6 sec	9 sec	12 sec	15 sec	18 sec	21 sec	24 sec
VG-065	VQ-60	68	3.3	25.5	0.65	2.4	3.7	6.9	12.1	20.8	37	46
VG-130	VQ-120	68	5.6	27.5	0.55	1.4	2.9	5.3	9.3	16	28	35
-	VQ-180	68	5.6	27.5	0.55	1.4	2.9	5.3	9.3	16	28	35
VG-260	VQ-240	68	7.3	22.7	0.63	1.3	2.5	4.5	7.6	12.8	13.2	-

sec / ft³ X 35.32 = sec / m³

All performance data presented is a representation of production pumps but is not a guarantee due to variations in local barometric pressure and of mass produced components.

VG & VQ PUMPS: PERFORMANCE



VACUUM FLOW - SCFM

Model		Air Supply PSI	Air Consu SCFM	Max Vacuum inHg	SCFM at Vacuum Level							
					3 inHg	6 inHg	9 inHg	12 inHg	15 inHg	18 inHg	21 inHg	24 inHg
VG-075	VQ-60L	87	4.0	27.5	7.2	5.2	2.7	1.3	0.9	0.6	0.3	0.14
VG-140	VQ-120L	87	6.9	27.0	8.1	6.8	5.1	3.3	1.3	0.9	0.5	0.3
-	VQ-180L	87	8.8	25.5	10.0	7.6	5.4	3.1	2.4	1.6	1.2	0.5

SCFM X 28.32 = nl / m

EVACUATION TIME - SEC / FT³

Model		Air Supply PSI	Air Consu SCFM	Max Vacuum inHg	Seconds to Evacuate 1 ft ³ to Vacuum Level (inHg)							
					3 sec	6 sec	9 sec	12 sec	15 sec	18 sec	21 sec	24 sec
VG-075	VQ-60L	87	4.0	27.5	0.6	1.5	3.0	5.7	10.2	17.7	32	62
VG-140	VQ-120L	87	6.9	27.0	0.53	1.3	2.5	4.3	7.4	12.8	23	44
-	VQ-180L	87	8.8	25.5	0.42	1.1	2.9	3.7	6.4	10.9	19.2	24

sec / ft³ X 35.32 = sec / m³

All performance data presented is a representation of production pumps but is not a guarantee due to variations in local barometric pressure and of mass produced components.