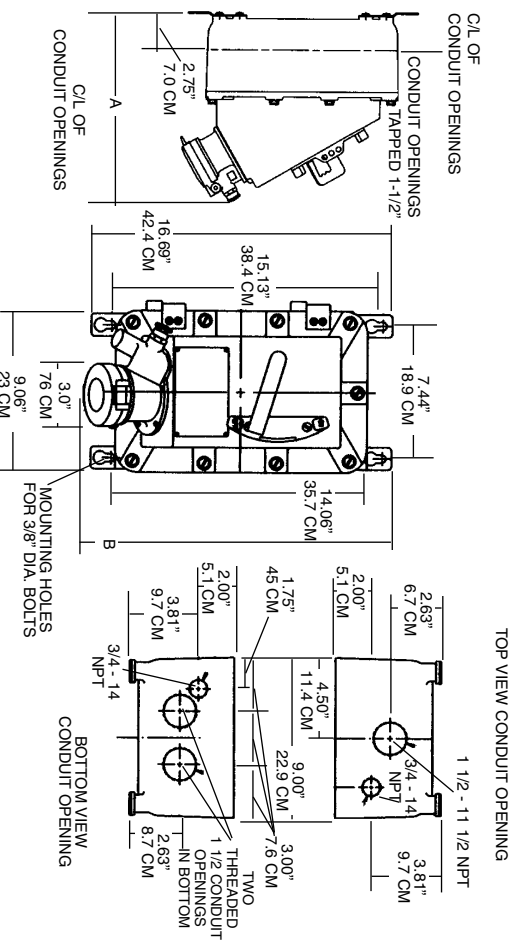


Plug is mechanically locked in receptacle when switch is ON. Design provides interlocked connect and disconnect operation.

Switch operating handle can be padlocked in either "ON" or "OFF" position.

Dimensions of DBR Receptacles



	30 Amp	60 Amp	100 Amp	30 Amp	60 Amp	100 Amp
A	14.81" (37.6cm)	14.81" (37.6cm)	15.25" (38.72cm)	B	15.5" (39.4cm)	17.06" (43.3cm)
						17.75" (45.1cm)

Dimensions Of Plugs in Inches

CPH 30 Amp. Plug	ACP Plugs for DBR Receptacles			
	No. Poles	A	B	C
30 Amp	2, 3, 4	6.00	4.75	3.13
60 Amp	2, 3	7.81	4.94	3.50
60 Amp	4	7.81	4.94	3.81
100 Amp	2, 3	10.50	6.63	4.00
100 Amp	4	10.50	6.63	4.25

CPH 60 Amp. Plug

Max. Amps.	Wire/Pole	CPH Plugs for DBR Receptacles				
		A	B	C	D	E
30	2W, 3P, 3W, 4P	6.13	2.38	1.86	1.81	4.44
60	2W, 3P	8.44	3.06	2.23	3.31	5.69
60	3W, 4P	8.44	3.06	2.55	3.31	5.69



300880-4
INSTRUCTION SHEET

U.S. Patent No. 3,735,078

DBR Receptacles with Disconnect Switch: 30, 60, and 100 Amp.; Dust-Ignition-Proof.

Weatherproof Spring Cover, 600V A.C. Max.
Grounding thru Extra Pole and Shell

Class II, Div. 1 and 2 Groups F*, G

Class III

NEMA 3, 3R, 4X, 9F*G

CAUTION: To prevent ignition of hazardous atmospheres do not use in Class II Group F locations that contain electrically conductive dusts. Most coal dusts are not electrically conductive.

I. TO DISASSEMBLE RECEPTACLE INTERIOR

1. Remove polarizing screw and washer.
2. Rotate terminal holder counter-clockwise.

II. TO CONNECT CONDUCTORS TO RECEPTACLE INTERIOR

1. Strip insulation from ends of individual conductors.
2. Loosen screws in pressure connectors and slide prepared ends of conductors into the connectors, observing proper polarity. Tighten screws.

III. TO REASSEMBLE RECEPTACLE INTERIOR

1. Insert Terminal Holder and turn clockwise until front end is approximately 1/4" inside of casting surface.

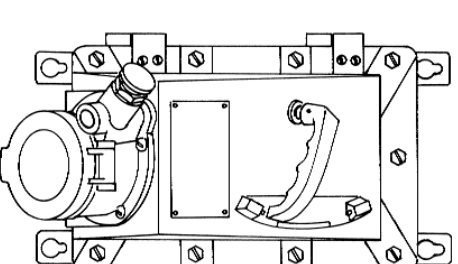
Recessed radial depression in Terminal Holder must be lined up with polarizing washer/locator. Replace screw through the ground strip.

IV. POLARITY AND PHASE ROTATION

1. ACP CPH Plugs and EBRH Receptacle are polarized so that the plug will enter the receptacle only one way.
2. Special Polarization: suffix - P4 added to catalog number of the receptacle. Prevents plug insertion in a receptacle wired for a different voltage.

V. Wiring

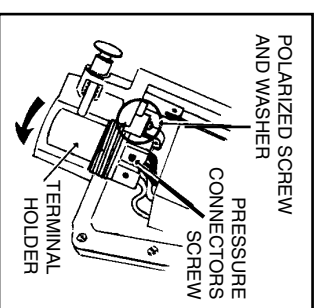
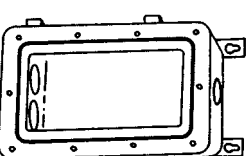
1. Conductors from Receptacles are connected to the Disconnect Switch as shown.



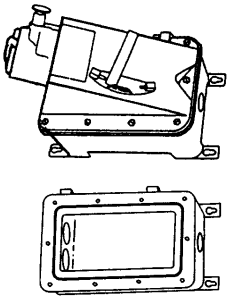
DBR

1. 1-1/2" threaded conduit openings- one in top and two in bottom

DBR Enclosure has O-Ring Gasket for Dust-Tight, Rain-Tight Fit.



Solderless lugs are provided for line connections and receptacle is prewired to the load side of disconnect switch. Cover-mounted components leave entire enclosure space free for pulling of line conductors and wiring.



DBR Enclosure has O-Ring Gasket for Dust-Tight, Rain-Tight Fit.

DBR Receptacles with Disconnect Switch:
30, 60, and 100 Amp; Dust-Ignition-Proof.
 Weatherproof Spring Cover, 600V A.C. Max.
 Grounding thru Extra Pole and Shell

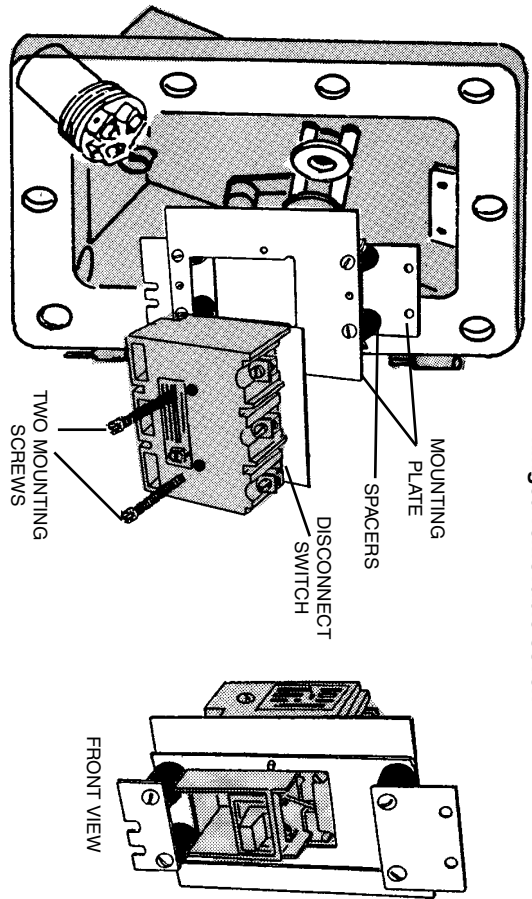
**Class II, Div. 1 and 2,
 Groups F*, G
 Class II
 NEMA 3, 3R, 4X, 9F*G**



- Field Wiring Instructions To Connect Field Wiring conductors**
1. Remove pressure wire connector buss bar of switch by loosening and removing retaining screw.
 2. Attach pressure wire connector to end of line conductor. Wire must be flash with end of connector.
 3. Reposition terminal under buss bar.
 4. Reinsert and tighten retaining screw.

Disconnect Switch Mounting

Disconnect switch is mounted within hinged removable cover.

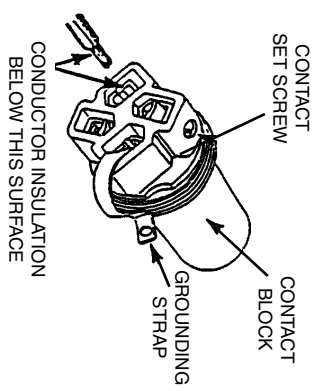
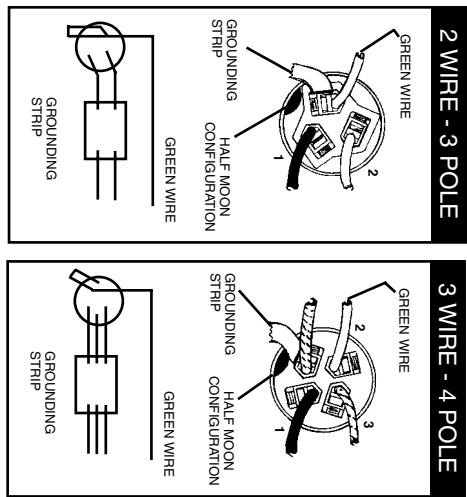


Disconnect switch is to be mounted (with the front of the disconnect switch facing the inside of the cover) by means of two screws through the back of the disconnect switch, through the spacers and into the mounting plate which are then fastened onto the inside of the cover.

* Do not use where electronically conductive dusts are present (most coal dusts are *not* electrically conductive). Per NEC 502-1, there are only Div. 1 locations where electronically conductive dusts are present.

V. WIRING

1. Conductors from Receptacles are connected to the Disconnect Switch as shown.



DBR Plugs Receptacles

ACP Plugs for EBR, EBRH and DBR Receptacles

Cable Dia., Inches	30 Amp 2W, 3P 3W, 4P	60 Amp 2W, 3P 3W, 4P	100 Amp 3W, 4P
.390 to 1.375 .875 to 1.906	ACP3023BC ACP3034BC	ACP6023BC ACP6034BC	ACP1023CD ACP1034CD

CPH Plugs for EBR, EBRH and DBR Receptacles

Cable Dia., Inches	30 Amp 2W, 3P 3W, 4P	60 Amp 2W, 3P 3W, 4P
.500 to .875 .390 to 1.375	CPH3023B CPH3034B	CPH6023BC CPH6034BC

ACP Plug Equivalents

Cable Diameter, Inches	Wire/ Pole	Crouse-Hinds	Appleton
30 Amp Plugs 390 to 1.375 .390 to 1.375	2W, 3P	APJ3385	ACP3023BC
	3W, 4P	APJ3485	ACP3034BC
	2W, 3P	APJ6385	ACP6023BC
60 Amp Plug. 390 to 1.375	3W, 4P	APJ6485	ACP6034BC
	2W, 3P	APJ10387	ACP1023CD
100 Amp Plug .875 to 1.906 .875 to 1.906	3W, 4P	APJ10487	ACP1034CD



Appleton ACP Plugs are mechanically and electrically interchangeable with Crouse-Hinds APJ plugs as listed at right.

Note:
 Receptacles with the P4 suffix have the interior rotated 22 1/2° for special polarization applications. They are compatible only with the Appleton plugs with the P4 option, or Crouse-Hinds plugs with the S4 option.