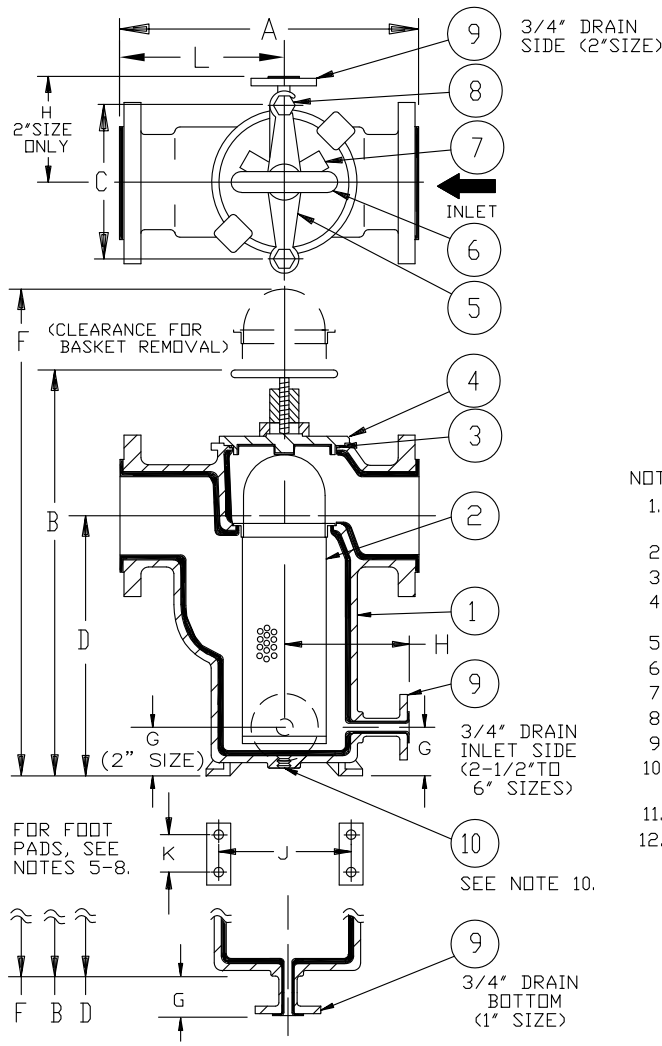


REVISIONS				
REV	DESCRIPTION	BY	ECO	DATE
H	UPDATED TITLE BLOCK	R. DHONDE	0106104	12/24/2014
J	NOTE 2 & 3 1/8" WAS MIN.	F. MONTANO	0115967	10/16/2015



NO	PART NAME	MATERIAL
1	BODY	CARBON STL A216 WCB
2	BASKET	
	PERF. DIA.	
	MESH	
3	O - RING	VITON (SEE NOTE 11)
4	COVER	CARBON STL A216 WCB
5	YOKE	DUCTILE IRON
6	YOKE SCREW	STEEL
7	COVER CLAMP	DUCTILE IRON
8	STUD	STEEL
9	DRAIN PIPE AND FLANGE ASSEMBLY	CARBON STEEL
10	BODY PLUG	CARBON STEEL

- NOTES:
1. INLET/OUTLET AND 3/4" DRAIN - CLASS 150 FLANGED CONNECTIONS PER ASME B16.5
 2. STRAINER BODY LINING THICKNESS IS 1/8" NOM.
 3. STRAINER COVER LINING THICKNESS IS 1/8" NOM.
 4. UNITS ARE SPARK TESTED IN ACCORDANCE WITH NACE RP-02-74.
 5. 3/8"Ø SLOTTED FOOT PADS -- 2" SIZE.
 6. 1/2"Ø SLOTTED FOOT PADS -- 2-1/2", 3" SIZES.
 7. 9/16"Ø SLOTTED FOOT PADS -- 4" SIZE.
 8. 9/16"Ø HOLED FOOT PADS -- 6" SIZE.
 9. COVER CLAMP (ITEM 7) FOR 4", 6" SIZES.
 10. BODY PLUG (ITEM 10) IS NOT TO BE USED AS DRAIN, FOR 2-1/2" AND 6" SIZES ONLY.
 11. OTHER O-RING MATERIALS - APPLICATION DEPENDENT.
 12. MAX. WORKING PRESSURE: 200 PSI @ 100° F (13.8 BAR @ 37.8° C)

PIPE SIZE (NOMINAL)	DIMENSIONS										WEIGHT (DRY)		PART NO.
	A	B	C	D	F	G	H	J	K	L	LBS	KGS	
1 (25)	7.88/200	9.00/ 229	4.00/102	5.00/127	12/ 305	2.75/70	----	----	----	4.50/114	15 / 7		ST72L010BR30A
2 (50)	10.75/273	13.75/ 349	6.75/172	7.63/194	20/ 508	1.88/48	5.63/143	5.50 /140	2.50 / 64	5.88/149	48 / 22		ST72L020BR30A
2-1/2 (65)	11.88/302	15.75/ 400	8.00/203	8.88/226	23/ 584	2.19/56	6.25/159	6.50 /165	2.88 / 73	6.50/165	70 / 32		ST72L025BR30A
3 (80)	13.75/349	18.75/ 476	8.00/203	12.00/305	27/ 686	2.31/59	6.38/162	7.00 /118	3.13 / 80	7.94/202	95 / 43		ST72L030BR30A
4 (100)	17.50/445	20.00/ 508	10.75/273	10.69/272	30/ 762	2.38/60	7.75/197	10.00 /254	3.88 / 99	9.75/248	139 / 63		ST72L040BR30A
6 (150)	19.88/505	28.25/ 718	10.75/273	18.31/465	46/1168	2.38/60	7.88/200	10.00 /254	5.00 /127	11.00/279	250 / 114		ST72L060BR30A

DRAWN BY VAA		HYDRAULICS GROUP FILTRATION DIVISION GALESBURG, MICHIGAN, USA • TINTON FALLS, NEW JERSEY, USA	
SCALE AS DRAWN			
RESTRICTION RESTRICTED		TITLE MODEL 72L SIMPLEX STRAINER FLUOROPOLYMER LINED 150# RF FLANGE SIZES 1" THRU 6" CARBON STEEL	
SHEET 1 OF 1		PROJECTION THIRD ANGLE	DATE 05/08/92
CUSTOMER INFO		SIZE A	DWG FILENAME SD72L391
NAME		REV J	
P.O. NO.			
TAG NO.			
S.O. NO.			
PART NO.	SEE TABLE	EATON CORPORATION - CONFIDENTIAL AND PROPRIETARY NOTICE TO PERSONS RECEIVING THIS DRAWING AND/OR TECHNICAL INFORMATION THIS DOCUMENT, INCLUDING THE DRAWING AND INFORMATION CONTAINED THEREON IS CONFIDENTIAL AND IS THE EXCLUSIVE PROPERTY OF EATON AT ANY TIME. BY TAKING THE POSSESSION OF THIS DOCUMENT THE RECIPIENT ACKNOWLEDGES AND AGREES THAT THIS DOCUMENT CANNOT BE USED IN ANY MANNER ADVERSE TO THE INTEREST OF EATON AND THAT NO PORTION OF THIS DRAWING MAY BE COPIED OR OTHERWISE REPRODUCED WITHOUT THE PRIOR WRITTEN CONSENT OF EATON, IN THE CASE OF CONFLICTING CONTRACTUAL PROVISIONS, THIS NOTICE SHALL GOVERN THE STATUS OF THIS DOCUMENT. 2015 EATON CORPORATION - ALL RIGHTS RESERVED.	