

Installation Instructions for the Appleton™ Rigmaster™ LED Luminaire

FOR PROPER AND SAFE INSTALLATION OF THIS PRODUCT, PLEASE READ THE FOLLOWING INSTRUCTIONS.

Product Safety

Signal Words Defined

DANGER indicates a hazardous situation which, if not avoided, will result in death or serious injury. **WARNING** indicates a hazardous situation which, if not avoided, could result in death or serious injury. **CAUTION** indicates a hazardous situation which, if not avoided, could result in minor or moderate injury. **NOTICE** is used to address practices not related to physical injury.

Safety Instructions for Luminaire

⚠ WARNING:

- Before installation, ensure that the unit complies with the hazardous area classification. Refer to luminaire nameplate, located on exterior of housing body, for suitability in specific hazardous locations.
- Do not open or remove luminaire when supply is ON.
- Do not use luminaire on ungrounded systems. Failure to ground this luminaire can result in an electric shock, which may be fatal.
- Disconnect the luminaire from the supply circuit before opening to reduce the risk of ignition in hazardous atmospheres. Keep tightly closed when in operation.
- Do not mount near gas or electric heaters.
- De-energize the unit five (5) minutes before opening.
- Use two safety cables for installations experiencing high vibrations.

⚠ CAUTION:

- Do not look directly at the LEDs when energized.
- Lens cleaning instructions: Wipe/clean from the outside only with a moist cloth. (Beware of electrostatic charges.)
- When installing in a hazardous location, it is necessary that the reflector, lens, and all certified conduit plugs be in place and tightened securely to the housing.

⚠ NOTICE:

- Do not touch the LEDs; touching could leave oily deposits, causing hot spots and potential premature failure.
- The LED lens should be cleaned periodically from the outside only with a moist cloth to maintain lighting efficiency.
- The use of accessory equipment not recommended by the manufacturer may cause an unsafe condition.
- This luminaire is designed for and should be installed with hazardous locations wiring method required in accordance with the National Electrical Code®/Canadian Electrical Code and all applicable local codes.
- This product must be installed in accordance with the applicable installation code by a person familiar with the construction and operation of the product and hazards involved.

Applications/Intended Use

- Make sure to tighten unused close-up plugs after applying TLNC4 grease. TLNC4 grease shall be applied in 3 lines, spaced approximately 120 degrees apart, perpendicular to the threads.
- Areas where flammable gases and vapors are present under conditions defined by the ratings below.
- Areas of low clearance, low ceiling heights, or where luminaire weights must be minimized.
- Non-hazardous locations where severe weather conditions, excessive moisture, dirt, dust, corrosive atmospheres, and high ambient temperatures are encountered.
- Where flexible cord is used, it should be approved for extra hard, wet location usage and shall have a separate ground conductor.

Agency Ratings ①: (NEC/CEC)

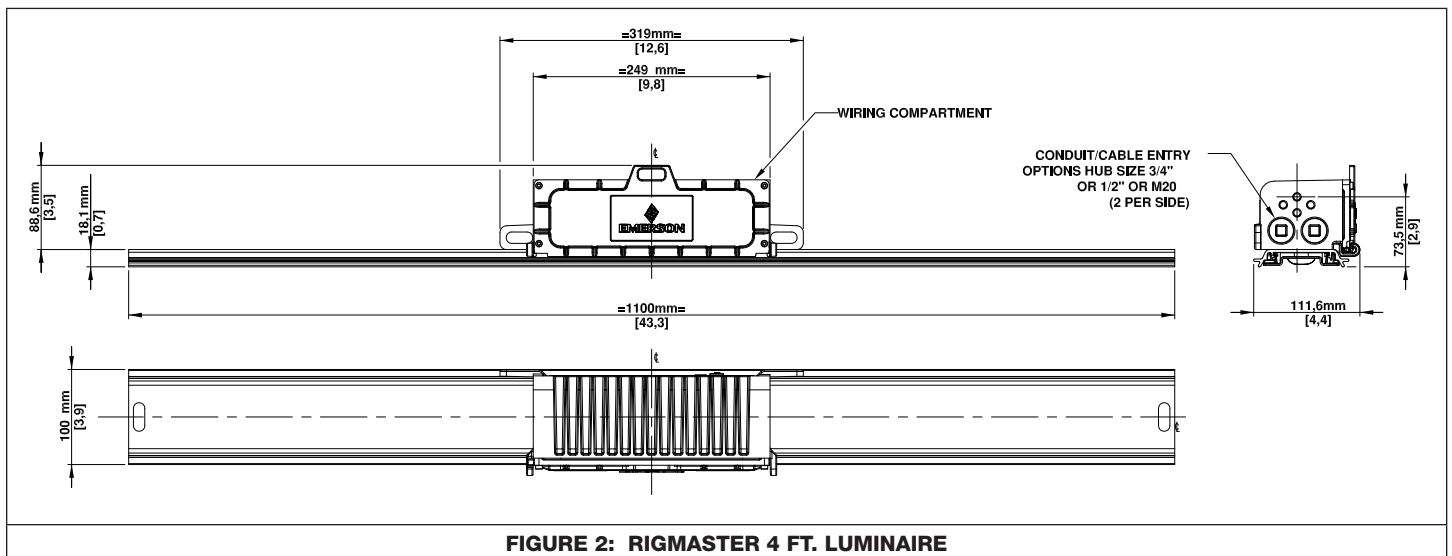
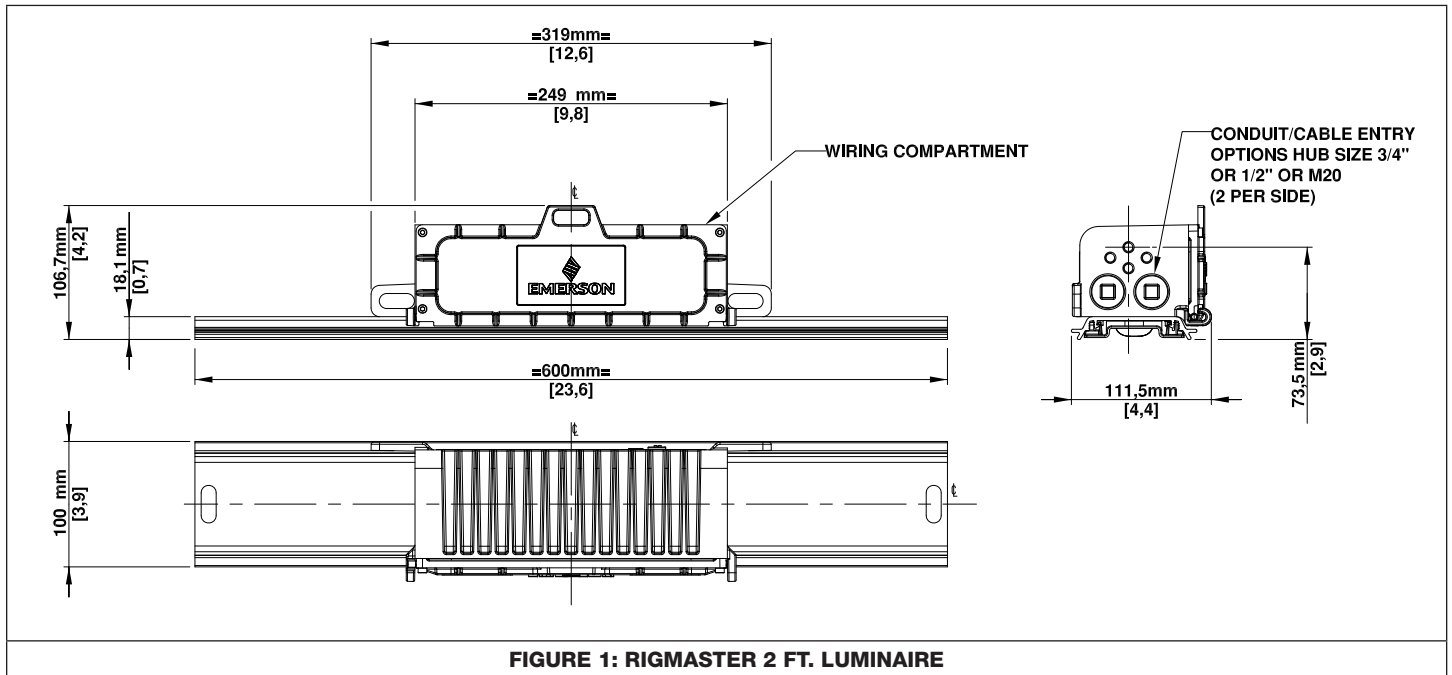
- Class I, Division 2, Groups A, B, C, D
- Class II, Division 2, Groups F, G
- Class III
- Type 3R, 4 & 4X
- IP66
- Marine Outside Type (Salt Water) (For installations in USA only)
- Class I, Zone 2, Group II C
- Class II, Zone 22
- Wet Locations
- Simultaneous Exposure

NOTES:

① Refer to the product nameplate, located on the housing body, for details.

Dimensions/Details

LUMINAIRE DIMENSIONS



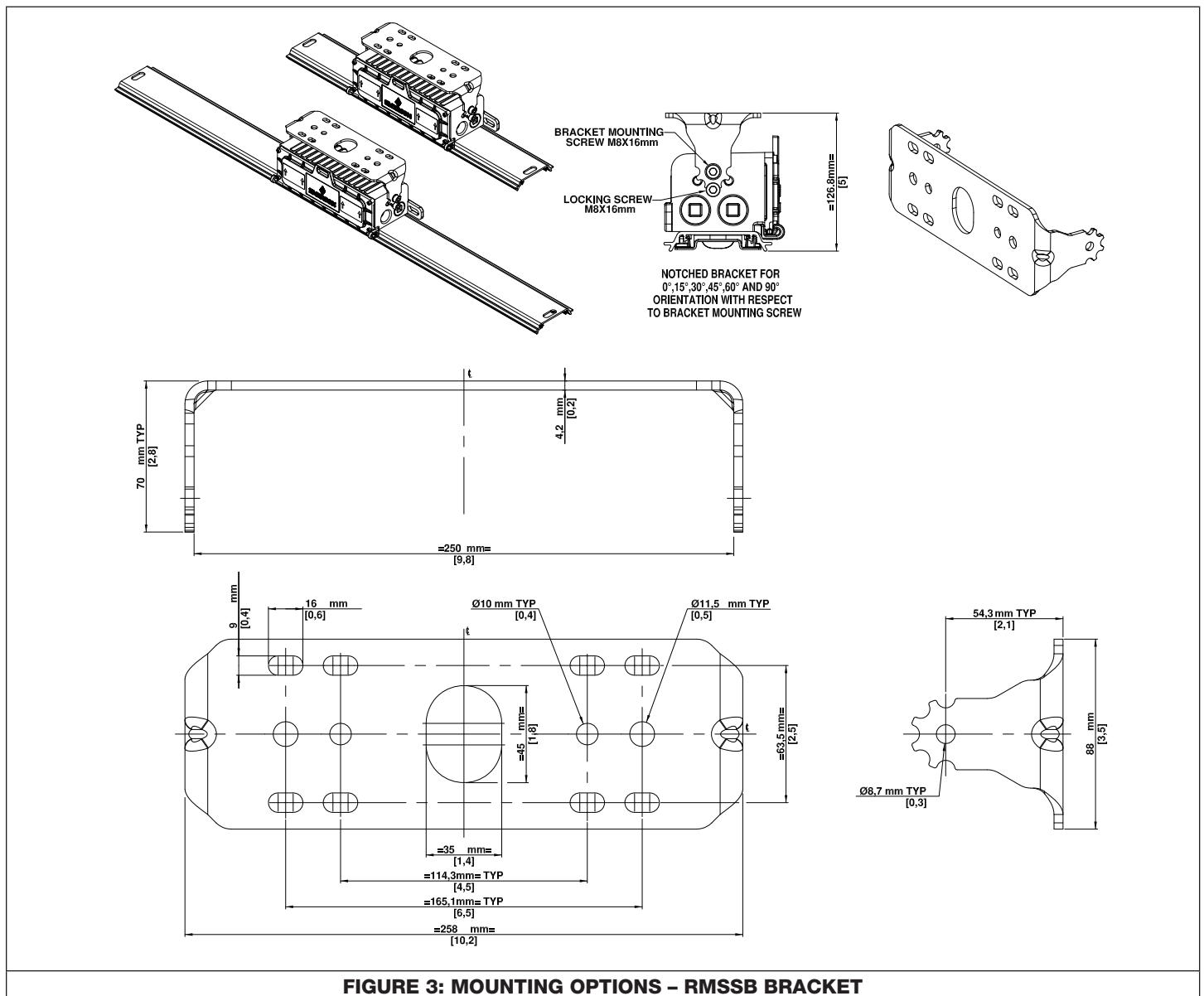
Mounting Instructions

1. Make sure power is disconnected before installing the luminaire.
2. Determine appropriate mounting distance between mounting holes for your application.
3. Use bolts (not supplied) appropriate for the structural support member.
4. Secure luminaire to structural support element having through holes that can handle the weight of the luminaire in accordance with local building code and all other code requirements.
5. Tighten the bolts to secure the luminaire in place.

Mounting Brackets

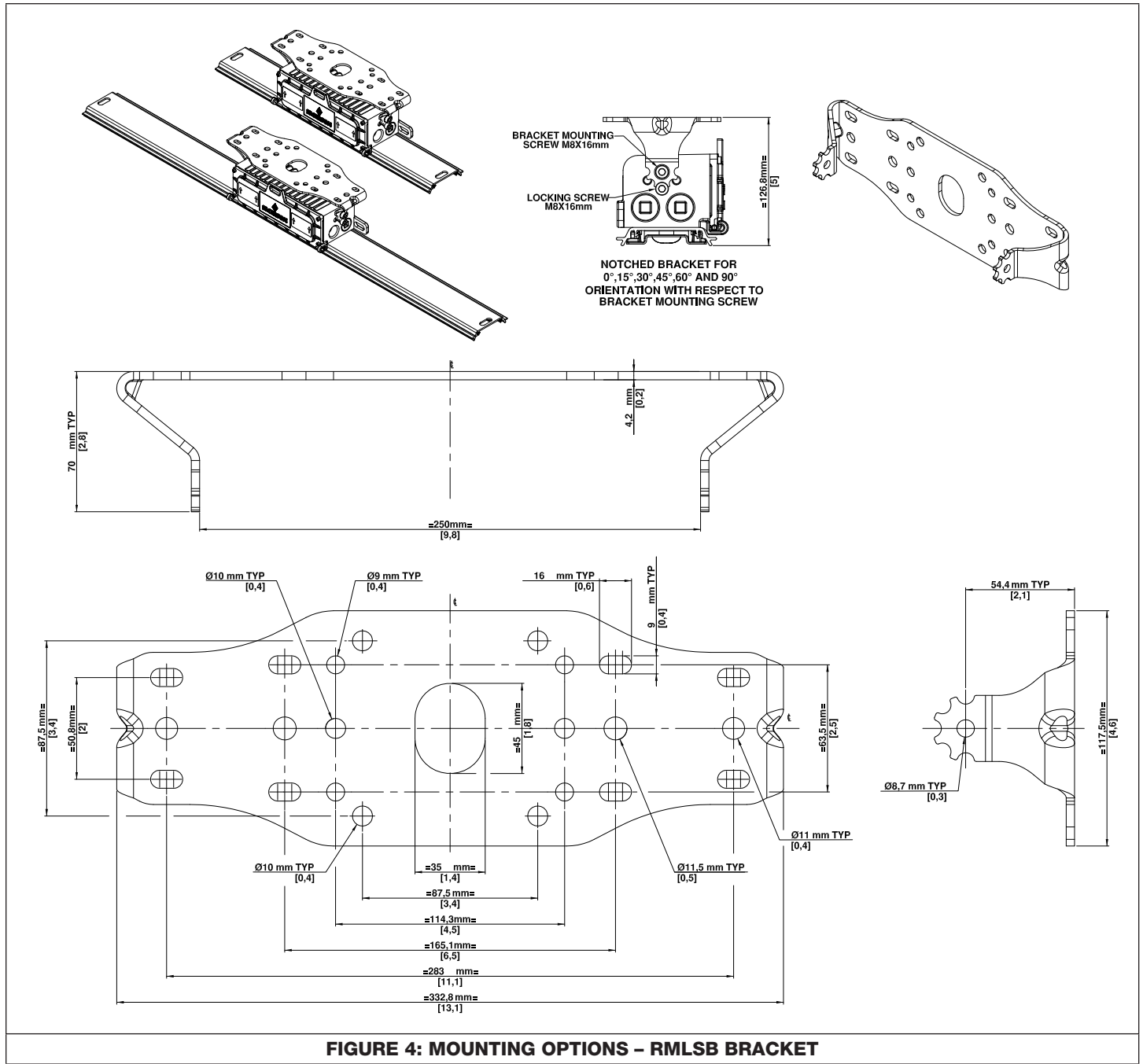
SMALL SWIVEL BRACKET (RMSSB)

1. Make sure power is disconnected before installing the luminaire.
2. Mount the luminaire with bracket to a flat surface using user-supplied hardware. See Figure 3 for mounting hole locations.
3. Slightly loosen the locking screw, mounting screw and tilt the luminaire to the desired position with your free hand. See Figure 3.
4. Retighten the screws to secure the luminaire in place with a torque of 15 N.m (133 Lb.in).



LARGE SWIVEL BRACKET (RMLSB)

1. Make sure power is disconnected before installing the luminaire.
2. Mount the luminaire with bracket to a flat surface using user-supplied hardware. See Figure 4 for mounting hole locations.
3. Slightly loosen the locking screw, mounting screw and tilt the luminaire to the desired position with your free hand. See Figure 4.
4. Retighten the screws to secure the luminaire in place with a torque of 15 N.m (133 Lb.in).



LOW PROFILE BRACKET (RMLPB)

1. Make sure power is disconnected before installing the luminaire.
2. Mount the luminaire with bracket to a flat surface using user-supplied hardware. See Figure 5 for mounting hole locations.
3. Tighten the screws to secure the luminaire in place with a torque of 15 N.m (133 Lb.in). Locking screws should be applied such that they are diagonally opposite to each other on either side. See Figure 5.

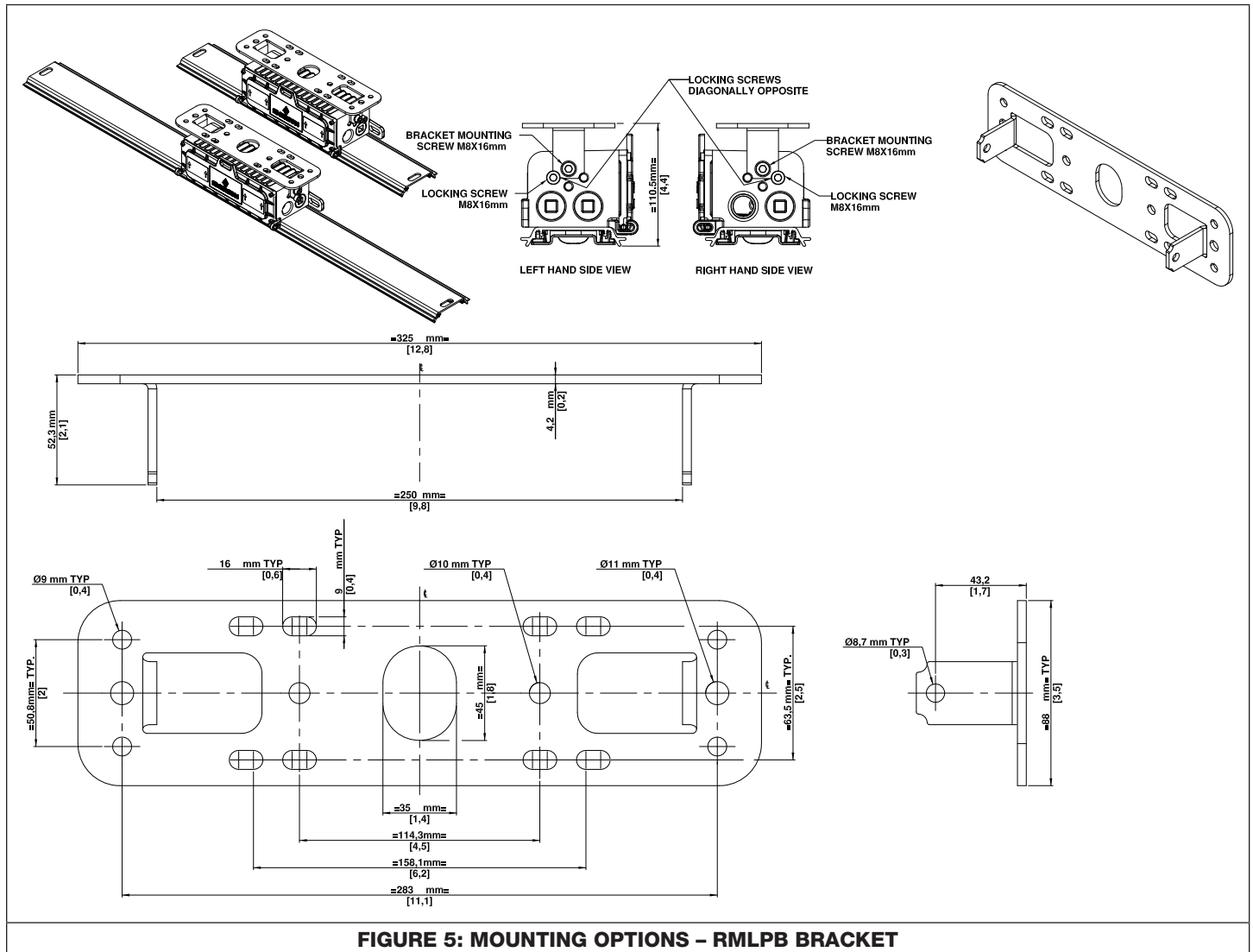


FIGURE 5: MOUNTING OPTIONS – RMLPB BRACKET

TABLE 1: MOUNTING BRACKET COMPATIBILITY CHART FOR RETROFIT INSTALLATIONS

Manufacturer	Part Number	Appleton Part Number		
		RMSSB Small Swivel Bracket	RMSB Large Swivel Bracket	RMLPB Low Profile Bracket
Crouse Hinds	DP1057MTK		X	X
Dialight	LTXW4	X	X	
	LTXW4LP		X	X
AZZ™ Rigalite	53050	X	X	
Appleton™ Viamaster™	GRFC75A		X	

Wiring

⚠ WARNING: The luminaire must be grounded as required by the National Electrical Code (Paragraph 410.21 and Article 250) or Canadian Electrical Code (Rule 30-500 and Section 10). Verify that ground continuity has been established by using an Ohm meter or other suitable testing equipment before energizing the luminaire. Failure to properly ground the luminaire will create an electric shock hazard, which can cause serious injury or death.

Please use supply wires with temperature rating 90°C or above

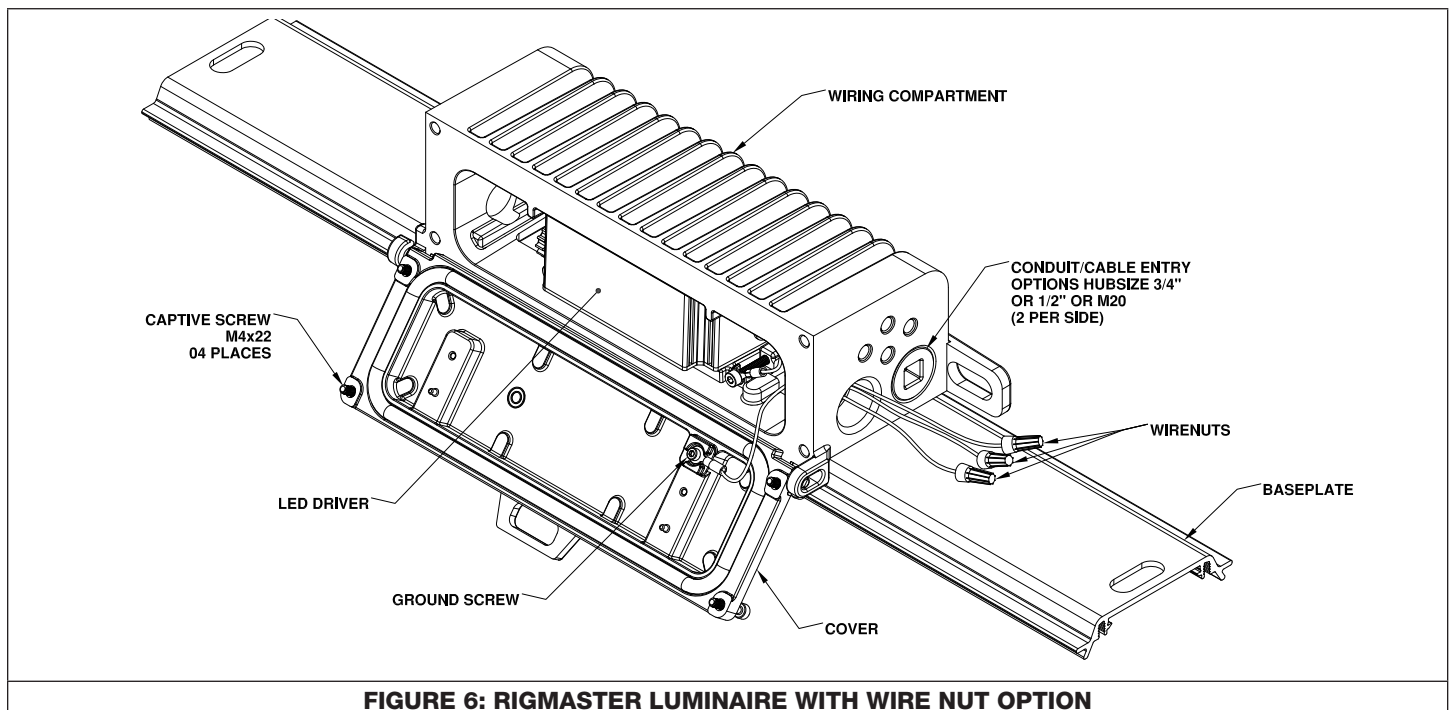
Wiring the Rigmaster™ LED Luminaire

For Luminaire Series with Wire Nut Option

1. Make sure power is disconnected before wiring the luminaire.
2. A. **Wiring with Cable:** Strip the cable outer jacket as required. Strip the insulation of individual wire by approximately 10 mm (0.4 in)
- B. **Wiring with Individual Wires:** Strip the insulation of individual wire by approximately 10 mm (0.4 in)
3. **For standard Wiring:** Connect electrical power supply leads to the 3 wire conductors coming out of wiring compartment with the help of wire nuts supplied with luminaire: see Figure 6. After completing the wiring insert wire nuts in wiring compartment through the Conduit / Cable entry hole. For Wiring diagram refer to Figures 7 and 8.

For through feed Wiring:

4. A. Open the luminaire wiring compartment by loosening the four captive screws. Allow the cover to swing open, enabling access to the wiring compartment. See Figure 6. Pull the wires through the cable entry hole on the other side of the box. Connect electrical power supply leads to the respective wires with the help of wire nuts supplied with luminaire. After completing the wiring insert wire nuts in wiring compartment through the Conduit / Cable entry hole. For Wiring diagram refer to Figures 7 and 8.
- B. Check all connections for continuity and ground integrity and close the luminaire wiring compartment cover.
- C. Tighten the four captive screws by applying a torque of 2.25 N.m (20 Lb.in) using the sequence shown as in Figure 9. Make sure wires do not pinch between cover and wiring compartment when closing.
5. Apply TLNC4 grease on plugs (three supplied) in 3 lines, spaced approximately 120 degrees apart, perpendicular to the threads. After applying TLNC4 grease close all unused conduit entries with plugs. Apply torque of 45 N.m (400 Lb.in.) for 3/4" NPT plug, 28 N.m (250 Lb.in.) for 1/2" NPT plug and 25 N.m (225 Lb. in.) for M20 plug.
6. For continuous row mounting below mentioned number of luminaires are connected.
Maximum 28 luminaires of 2 FT. connected in series
Maximum 15 luminaires of 4 FT. connected in series
7. Power can now be applied to the luminaire



Wiring Diagrams

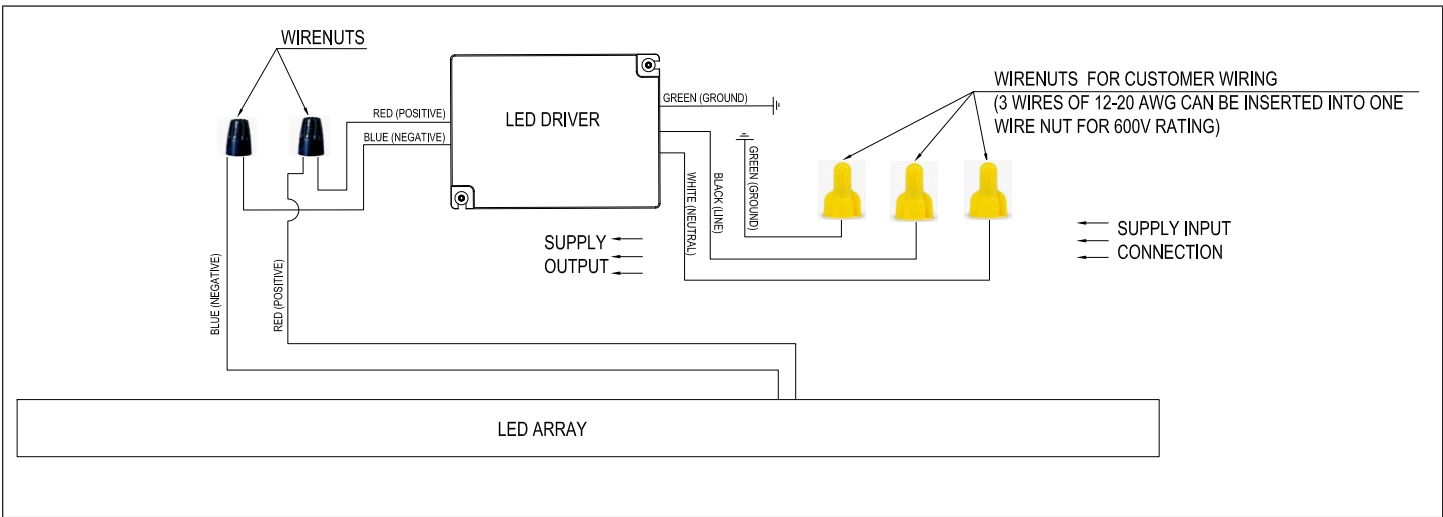


FIGURE 7: FOR RIGMASTER 4000 LUMEN WITH WIRE NUTS FOR CUSTOMER WIRING

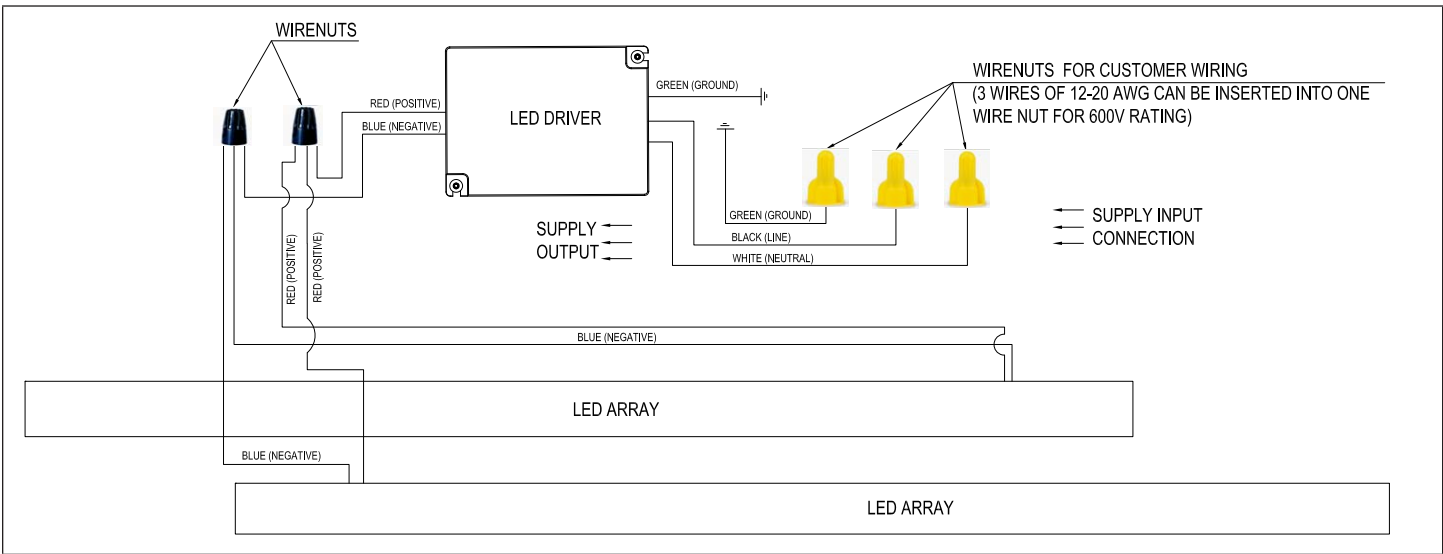


FIGURE 8: FOR RIGMASTER 8000 LUMEN WITH WIRE NUTS FOR CUSTOMER WIRING

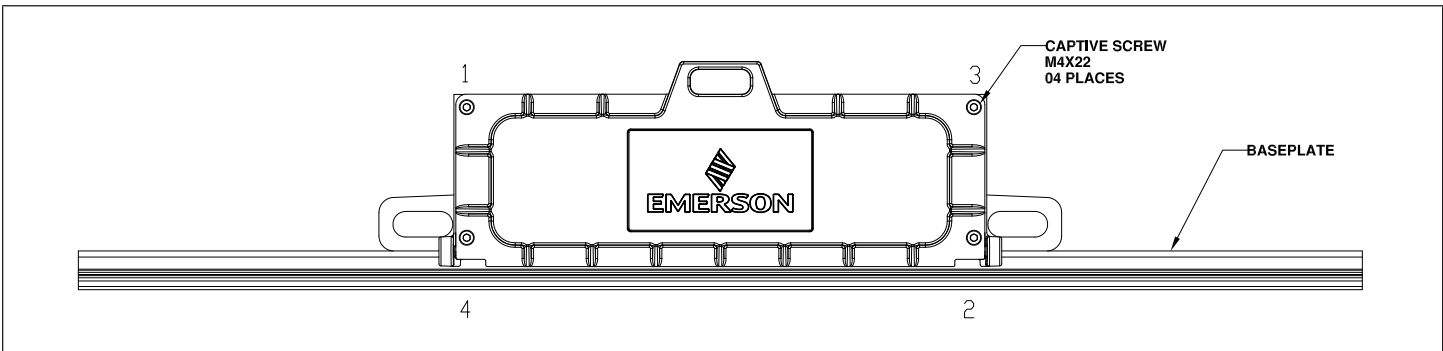


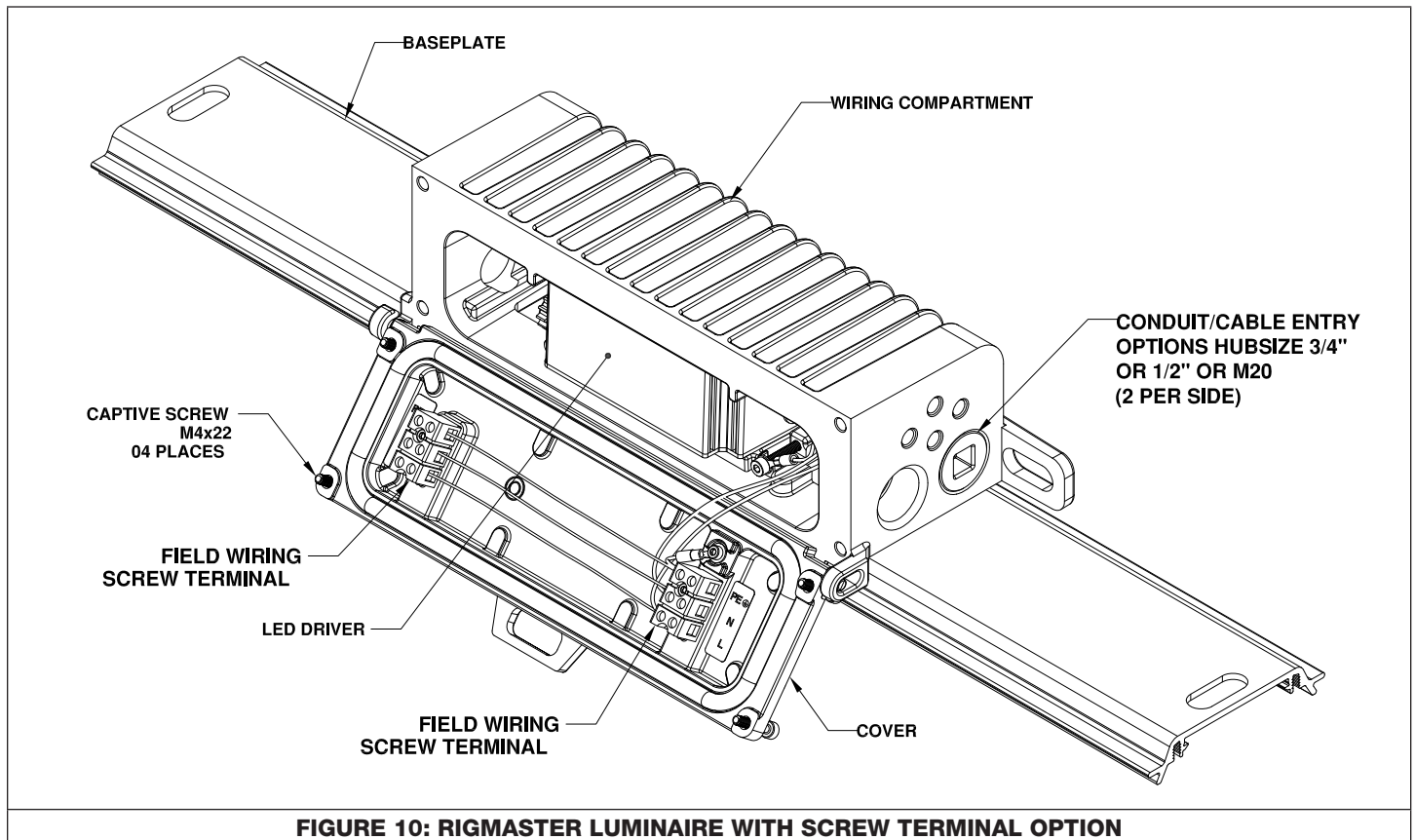
FIGURE 9: SCREW TIGHTENING SEQUENCE

For Luminaire Series with Fixed Screw Terminal Option

1. Make sure power is disconnected before wiring the luminaire.
2. Open the luminaire wiring compartment by loosening the four captive screws. Allow the cover to swing open, enabling access to the wiring compartment. see figure 10.
3. A. **Wiring with Cable**
 1. Strip the cable outer jacket as required.
2. Insert the cable through the conduit entry (with appropriate fitting attached) to the luminaire wiring compartment.
- B. **Wiring with Individual Wires**
 1. Run conductors down through the conduit to the luminaire wiring compartment.

NOTE: See the product nameplate for supply wire requirements. The terminal block can accept 12-20 AWG wire. Use the appropriate wire gauge based on the application.

4. Strip the individual wires by approximately 5 mm (0.2 in) and insert them into the proper terminal block connections. The connection points are identified on the terminal block as: "L" = Line, "N" = Neutral, and "PE" = Ground. Tighten down the terminal block screws onto the wire with torque of 0.75 N.m (6.5 Lb.in) See Figure 10.
5. Check all connections for continuity and ground integrity.
6. Once the terminal block is wired to incoming power, close the luminaire wiring compartment cover.
7. Tighten the four captive screws by applying a torque of 2.25 N.m (20 Lb.in) using the sequence shown as in Figure 9. Make sure wires do not pinch between cover and wiring compartment when closing.
8. Apply TLNC4 grease on plugs (three supplied) in 3 lines, spaced approximately 120 degrees apart, perpendicular to the threads. After applying TLNC4 grease close all unused conduit entries with plugs. Apply torque of 45 N.m (400 Lb.in.) for 3/4" NPT plug, 28 N.m (250 Lb.in.) for 1/2" NPT plug and 25 N.m (225 Lb. in.) for M20 plug.
9. For continuous row mounting below mentioned number of luminaires are connected.
Maximum 28 luminaires of 2 FT. connected in series
Maximum 15 luminaires of 4 FT. connected in series
10. Power can now be applied to the luminaire.



Wiring Diagrams

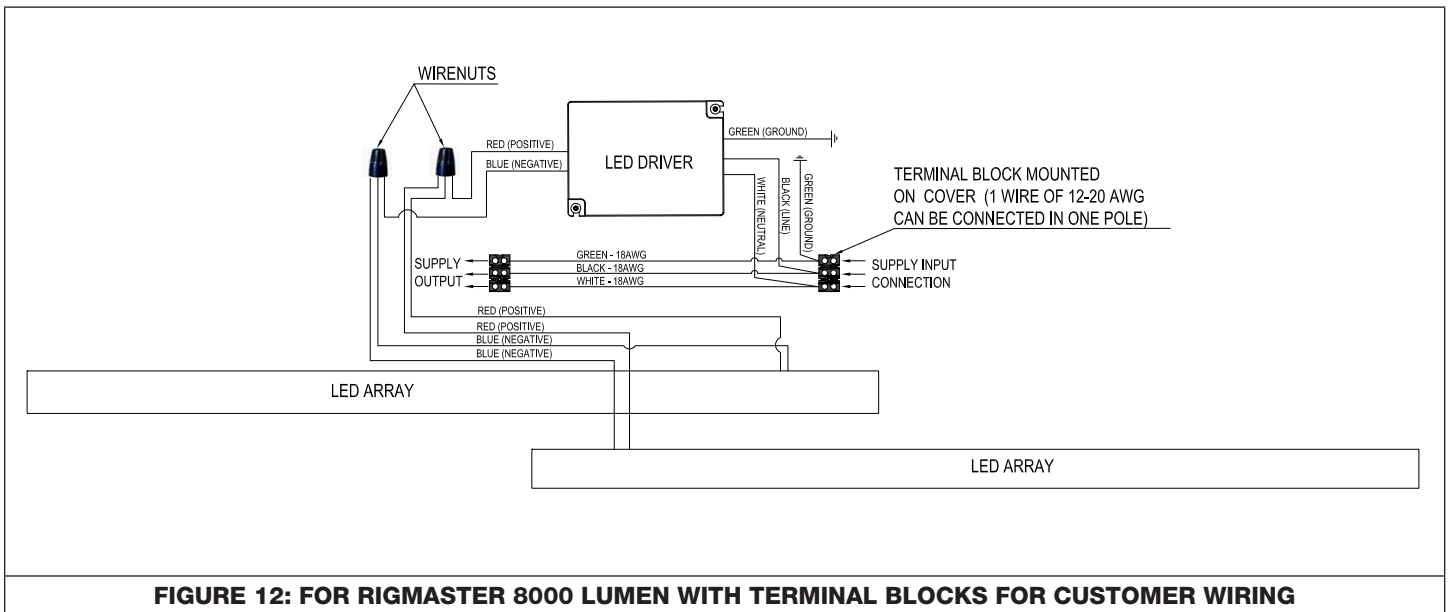
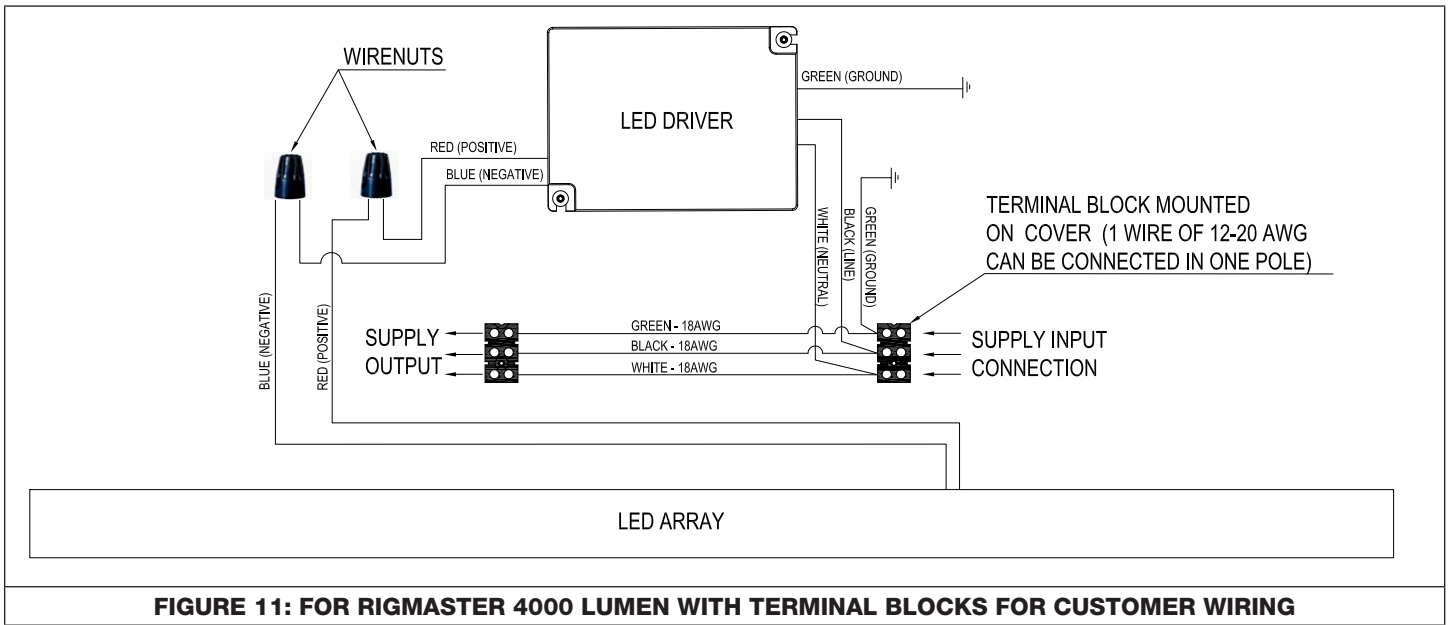


TABLE 2: RECOMMENDED APPLETON™ CABLE CONNECTORS - REFER TO THE TABLE BELOW	
COMPATIBLE CORD GRIPS	
Appleton Part Number	Recommendation
CG3150	Suitable for through wiring using either side (2 CG on either side)
CG6250	Suitable for through wiring using either side (2 CG on either side)
CG5075	Suitable for through wiring using either side (2 CG on either side)
CG3150S	Suitable for through wiring using either side (2 CG on either side)
CG6250S	Suitable for through wiring using both sides (1 CG on each side)
CG5075S	Suitable for through wiring using both sides (1 CG on each side)
COMPATIBLE TRAY CABLE CONNECTORS	
Appleton Part Number	Recommendation
TC050055	Suitable for through wiring using both sides (1 connector on each side)

Installation of the Safety Cable

TABLE 3: SAFETY CABLE SPECIFICATION				
Cable Diameter	Length	Tolerance	Material Carabiner/ Sleeve/Cable	Safe Working Load at 5:1 Safety Factor
4 mm (5/32 in.)	1219 mm (48 in.)	+50/-25 mm (+2.0/-1.0 in.)	316 Stainless Steel	113 kg Max. (250 lbs. Max.)

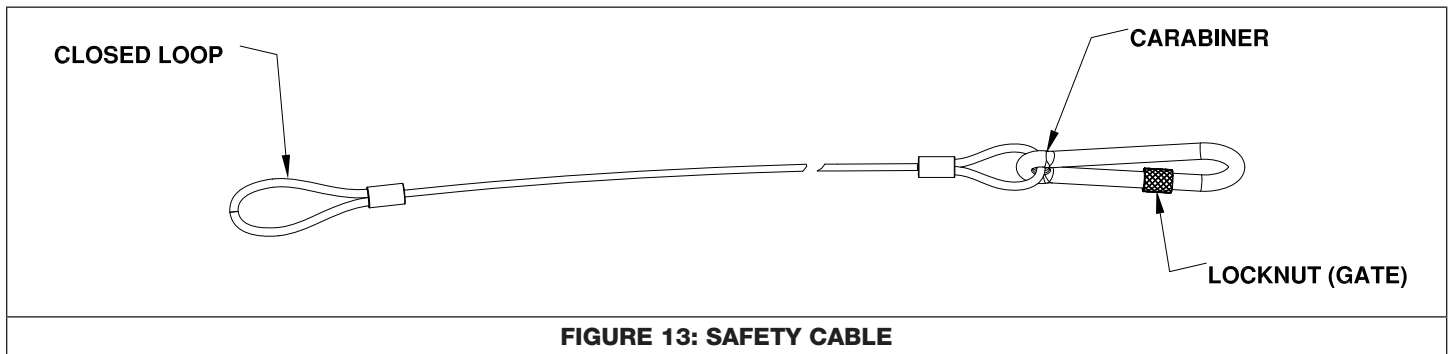


FIGURE 13: SAFETY CABLE

1. Install luminaire with supplied bracket using desired mounting means.
2. Insert closed loop of safety cable through the slot provided on the ends of the luminaire. It is recommended to loop the cable through the slot provided on the cover, wiring compartment and baseplate. (See Figures 14 and 15.)
3. Insert eyelet (carabiner clip) through the center of the closed end loop and pull until the end is tight.
4. Attach safety cable to desired support structure using eyelet (carabiner clip) end.
5. Tighten the threaded locknut (gate) until tight.

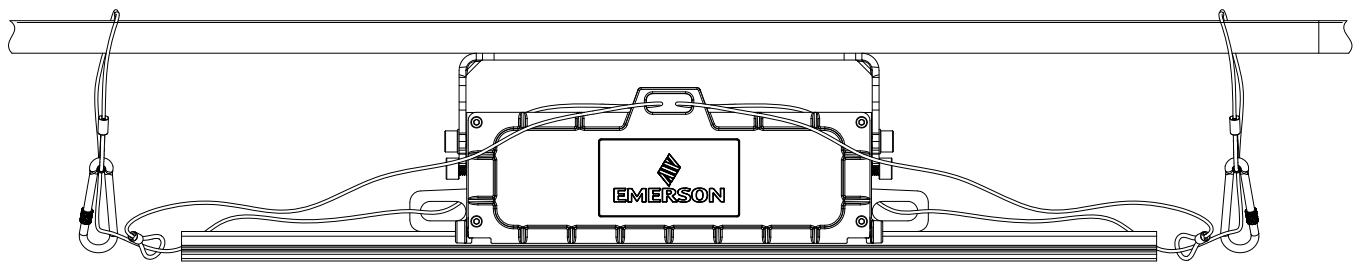
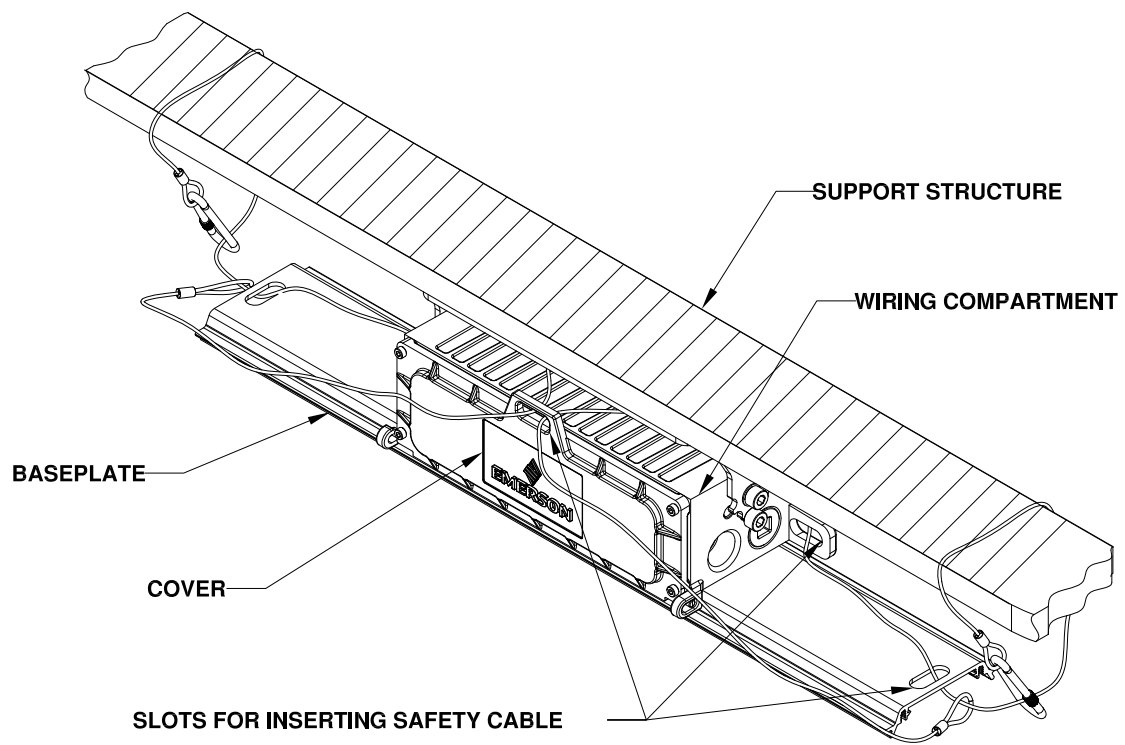


FIGURE 14: RIGMASTER 2 FT. LUMINAIRE WITH SAFETY CABLES

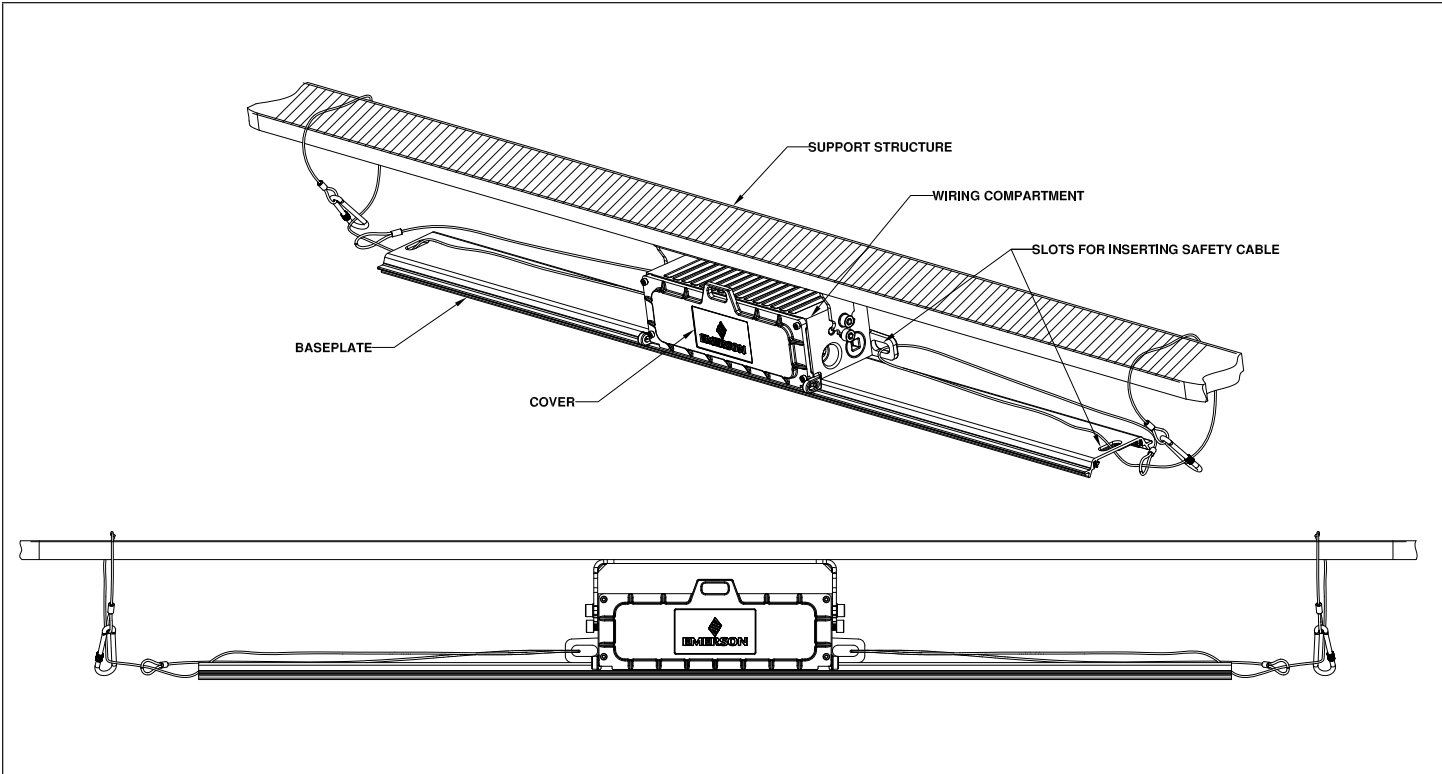


FIGURE 15: RIGMASTER 4 FT. LUMINAIRE WITH SAFETY CABLES

Except as expressly provided by Appleton Grp, LLC (Appleton), Appleton products are intended for ultimate purchase by industrial users and for operation by persons trained and experienced in the use and maintenance of this equipment and not for consumers or consumer use. Appleton warranties DO NOT extend to, and no reseller is authorized to extend Appleton's warranties to any consumer. While every precaution has been taken to ensure accuracy and completeness in this manual, Appleton Grp, LLC, assumes no responsibility, and disclaims all liability for damages resulting from use of this information or for any errors or omissions. Specifications are subject to change without notice. The Appleton and Emerson logos are registered in the U.S. Patent and Trademark Office. All other product or service names are the property of their registered owners. ©2019 Appleton Grp, LLC. All rights reserved.

Instructions d'Installation du Luminaire à LED Appleton™ Rigmaster™

POUR UN INSTALLATION CORRECTE ET SÛRE DE CE PRODUIT, VEUILLEZ LIRE LES INSTRUCTIONS SUIVANTES.

Sécurité du Produit

Définitions des termes de mise en garde

DANGER indique une situation dangereuse qui, si elle n'est pas évitée, entraînera la mort ou des blessures graves.

AVERTISSEMENT indique une situation dangereuse qui, si elle n'est pas évitée, pourrait entraîner la mort ou des blessures graves.

ATTENTION indique une situation dangereuse qui, si elle n'est pas évitée, pourrait entraîner des blessures mineures ou modérées.

AVIS est utilisé pour aborder des pratiques non liées à des blessures physiques.

Instructions de Sécurité Pour le Luminaire

▲ AVERTISSEMENT:

- Avant l'installation, assurez-vous que l'appareil est conforme à la classification de zone dangereuse. Consultez la plaque signalétique du luminaire, située à l'extérieur du corps du boîtier, pour savoir quelle est sa position dans des zones dangereuses spécifiques.
- N'ouvrez pas et ne retirez pas le luminaire lorsque l'alimentation est en marche.
- N'utilisez pas le luminaire sur des systèmes non mis à la masse. Ne pas mettre ce luminaire à la masse peut entraîner un choc électrique pouvant être fatal.
- Déconnectez le luminaire du circuit d'alimentation avant de l'ouvrir pour réduire le risque d'inflammation dans les atmosphères dangereuses. Maintenir hermétiquement fermé en utilisation.
- Ne pas installer à proximité de radiateurs à gaz ou électriques.
- Mettez l'appareil hors tension cinq (5) minutes avant de l'ouvrir.
- Utilisez deux câbles de sécurité pour les installations soumises à de fortes vibrations.

▲ ATTENTION:

- Ne regardez pas directement les luminaires lorsqu'ils sont sous tension.
- Instructions de nettoyage de la lentille : Essuyez / nettoyez de l'extérieur uniquement avec un chiffon humide. (Attention aux charges électrostatiques).
- Lors d'une installation dans une zone dangereuse, il est nécessaire que le réflecteur, la lentille et tous les bouchons de conduit certifiés soient en place et bien serrés sur le boîtier.

▲ AVIS:

- Ne touchez pas au LEDs ; les toucher pourraient laisser des dépôts gras, provoquant des points chauds et une possible défaillance prématurée.
- La lentille du LED doit être nettoyée périodiquement de l'extérieur uniquement avec un chiffon humide pour maintenir l'efficacité de l'éclairage.
- L'utilisation d'accessoires non recommandés par le fabricant peut créer des conditions dangereuses.
- Ce luminaire est conçu pour et doit être installé avec la méthode de câblage pour zones dangereuses requise conformément au Code Electrique National® / Code Canadien de l'Electricité (CEN / CCE) et à tous les codes locaux applicables.
- Ce produit doit être installé conformément au code d'installation en vigueur par une personne familiarisée avec la construction et le fonctionnement du produit et des risques qui y sont associés.

Applications/Usage Prévu

- Assurez-vous de serrer les bouchons de gros plan non utilisés après avoir appliqué de la graisse TLNC4. La graisse TLNC4 doit être appliquée en 3 lignes espacées d'environ 120 degrés, perpendiculairement aux fils.
- Les zones où des gaz et des vapeurs inflammables sont présents dans des conditions définies par les indices ci-dessous.
- Les zones où l'espacement est faible, les hauteurs de plafond basses ou les poids des luminaires doivent être minimisés.
- Endroits non dangereux où se rencontrent des conditions météorologiques extrêmes, une humidité excessive, de la saleté, de la poussière, des atmosphères corrosives et des températures ambiantes élevées.
- Lorsqu'un cordon souple est utilisé, il doit être approuvé pour une utilisation dans des endroits extrêmement durs et humides et doit comporter un conducteur de terre séparé.

Classements d'agence①: (NEC/CEC)

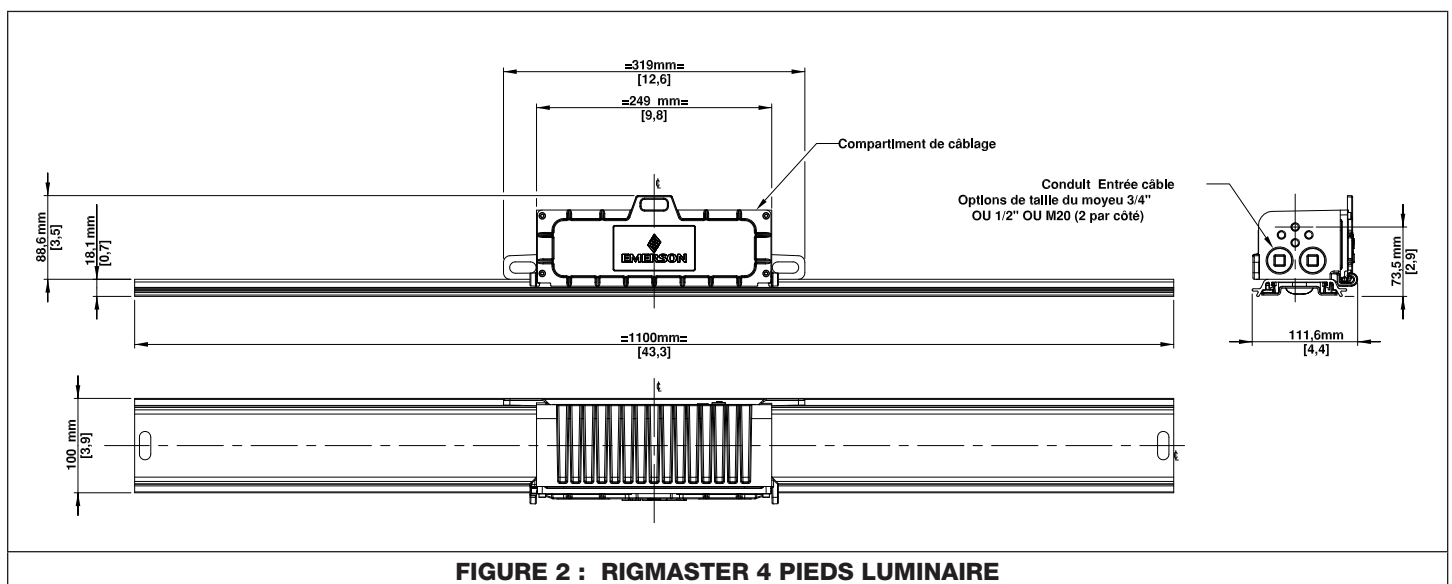
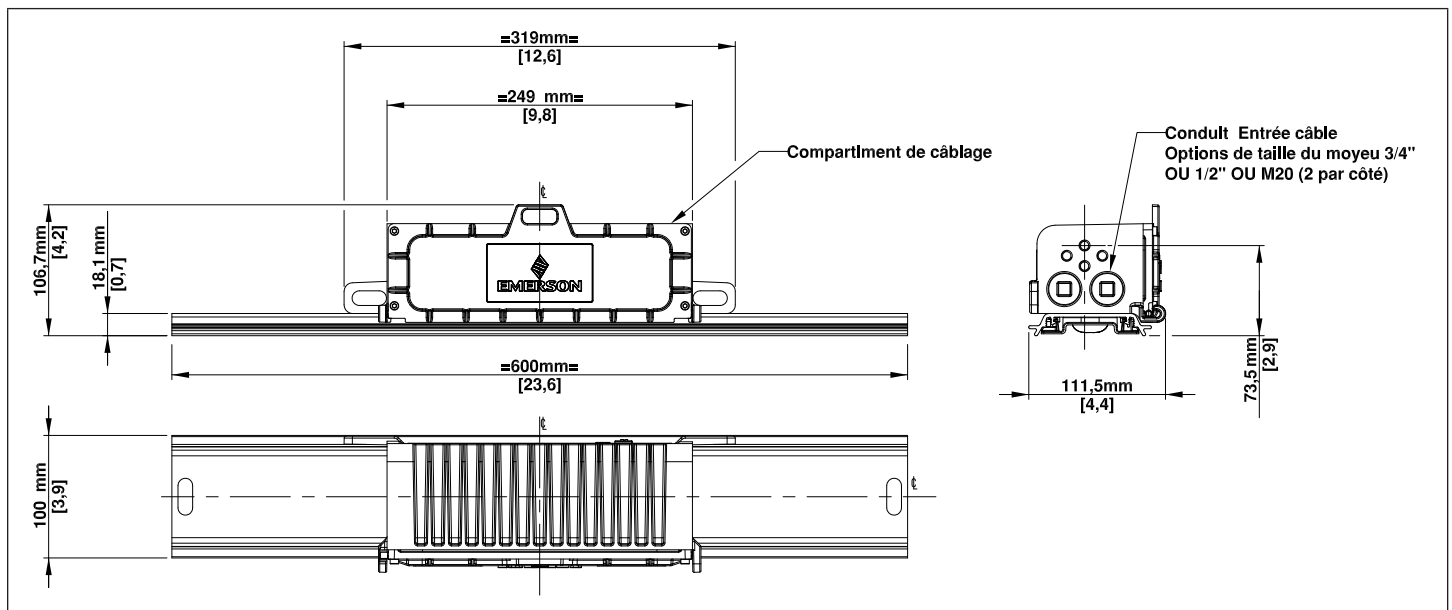
- Class I, Division 2, Groups A, B, C, D
- Class II, Division 2, Groups F, G
- Class III
- Type 3R, 4 & 4X
- IP66
- Type marin extérieur (eau salée) (uniquement pour les installations aux États-Unis)
- Class I, Zone 2, Group II C
- Class II, Zone 22
- Emplacements Humides
- Exposition Simultanée

REMARQUES :

① Se référer à la plaque signalétique du produit, située sur le corps du boîtier, pour plus de détails.

Dimensions/Détails

DIMENSIONS du LUMINAIRE



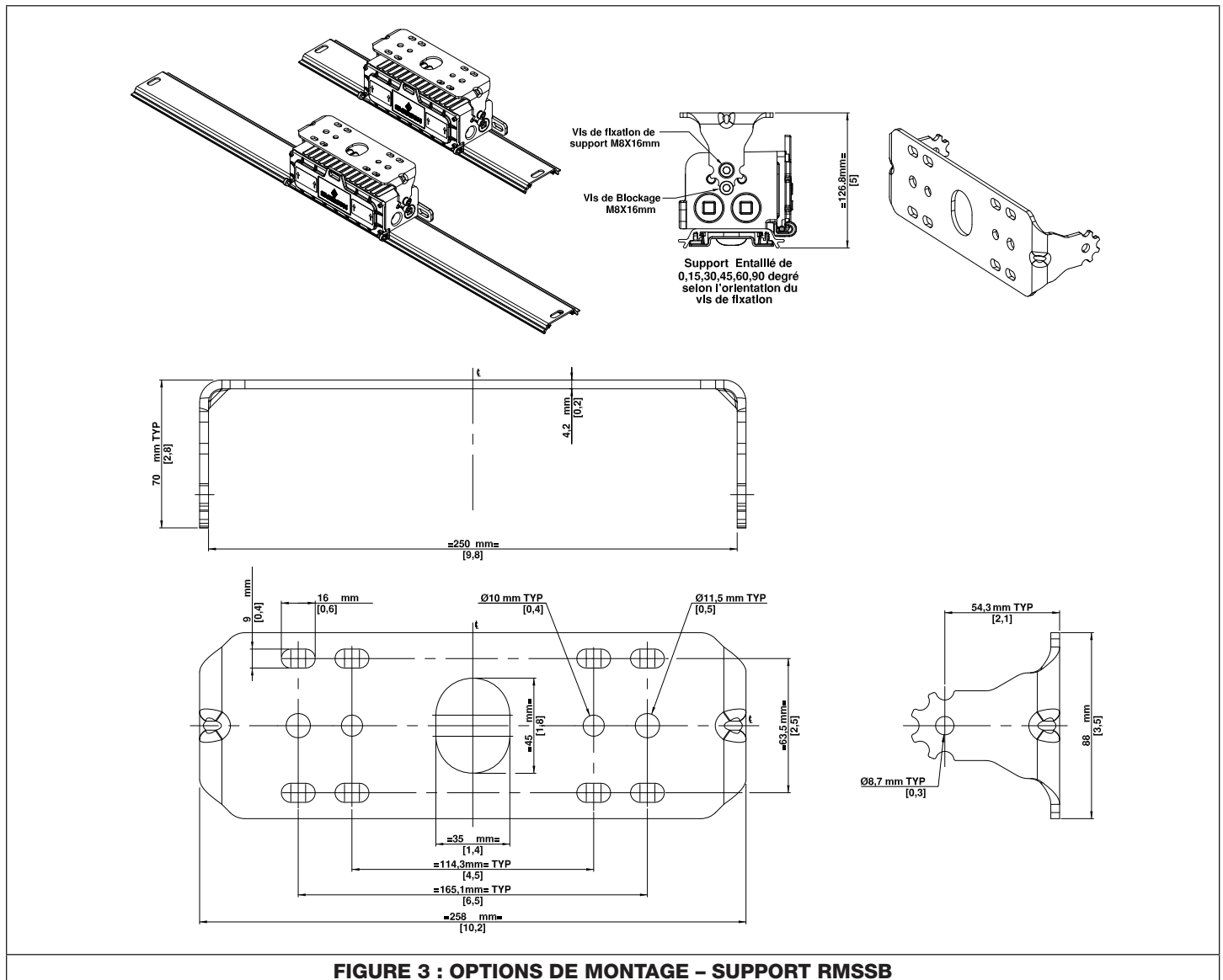
Instructions de montage

1. Assurez-vous que l'alimentation est débranchée avant d'installer le luminaire.
2. Déterminez la distance de montage appropriée entre les trous de fixation pour votre utilisation.
3. Utilisez des boulons (non fournis) adaptés à l'élément de support structurel.
4. Fixez le luminaire à l'élément de support structurel ayant des trous, pouvant supporter le poids du luminaire conformément au code du bâtiment local et à toutes les autres exigences du code.
5. Serrez les boulons pour maintenir le luminaire en place.

Supports de Fixation

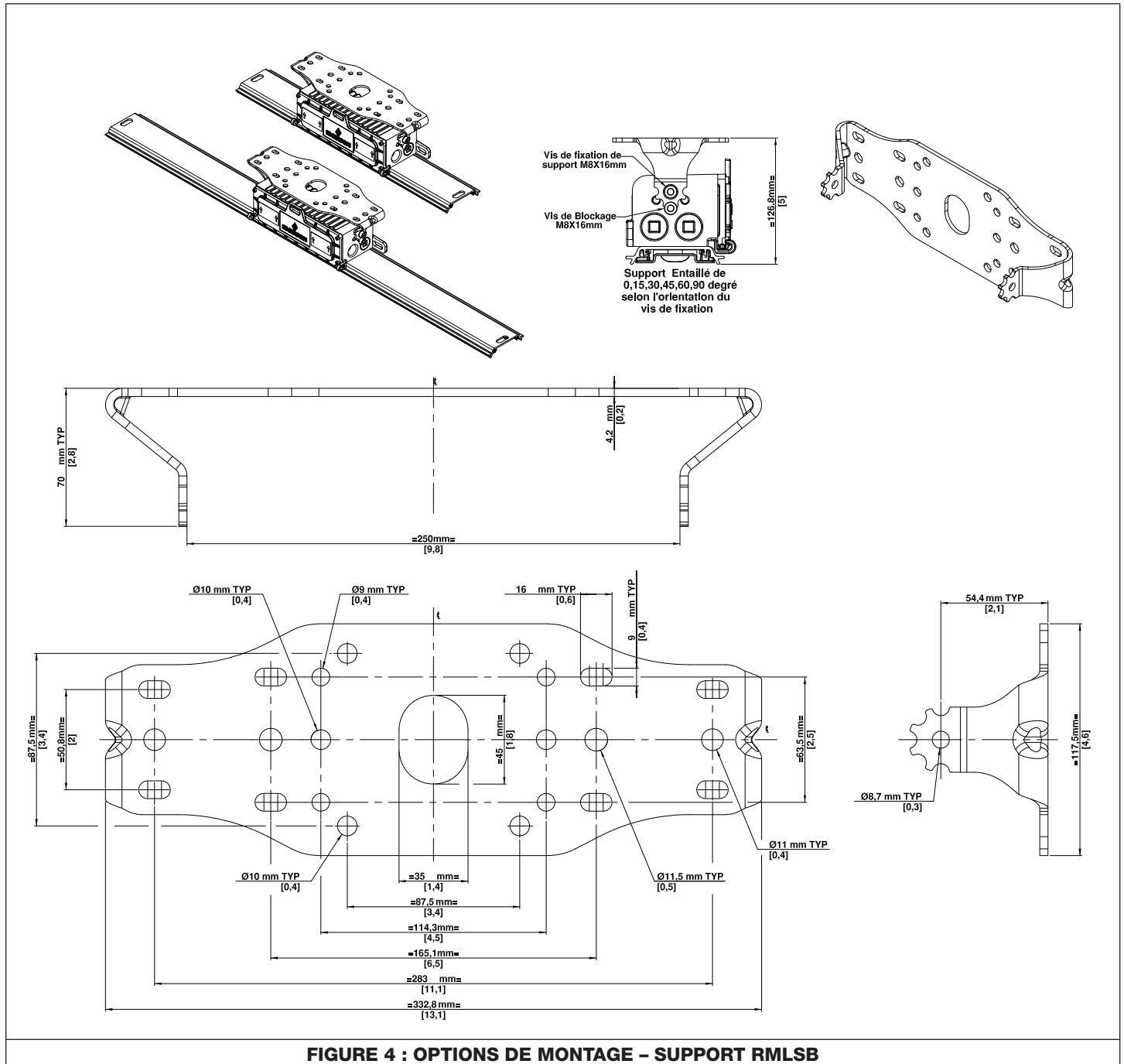
Petit Support Pivotant Rigmaster (RMSSB)

1. Assurez-vous que l'alimentation est débranchée avant d'installer le luminaire.
2. Fixez le luminaire avec le support sur une surface plane à l'aide du matériel fourni par l'utilisateur. Voir la Figure 3 pour l'emplacement des trous de fixation.
3. Desserrez légèrement la vis de blocage, le vis de fixation et inclinez le luminaire avec votre main libre dans la position souhaitée. Voir la Figure 3.
4. Resserrez les vis pour fixer le luminaire avec un clé de serrage (tournevis) de 15 N.m (133 Lb.in).



GRAND SUPPORT PIVOTANT Rigmaster (RMLSB)

1. Assurez-vous que l'alimentation est débranchée avant d'installer le luminaire.
2. Montez le luminaire avec le support sur une surface plane à l'aide du matériel fourni par l'utilisateur. Voir la Figure 4 pour l'emplacement des trous de montage.
3. Desserrez légèrement la vis de blocage, la vis de fixation et inclinez le luminaire avec votre main libre dans la position souhaitée. Voir la Figure 4.
4. Resserrez les vis pour fixer le luminaire avec un couple de serrage de 15 N.m (133 Lb.in).



SUPPORT à PROFIL BAS Rigmaster (RMLPB)

1. Assurez-vous que l'alimentation est débranchée avant d'installer le luminaire.
2. Montez le luminaire avec le support sur une surface plane à l'aide du matériel fourni par l'utilisateur. Voir la Figure 5 pour l'emplacement des trous de montage.
3. Serrez les vis pour fixer le luminaire avec un couple de serrage de 15 N.m (133 Lb.in). Les vis de verrouillage doivent être appliquées de manière à être diagonalement opposées les unes des autres. Voir la Figure.5

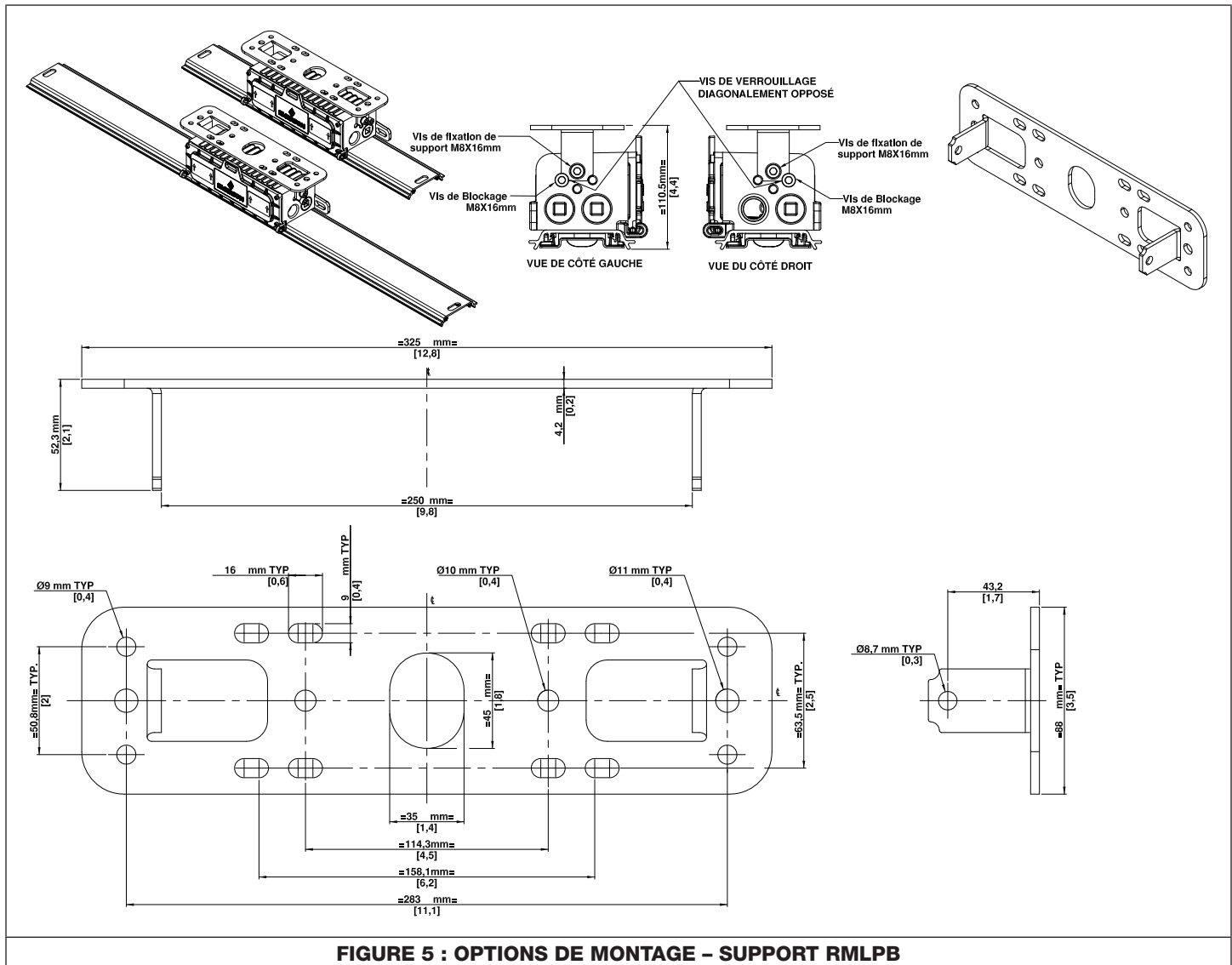


FIGURE 5 : OPTIONS DE MONTAGE – SUPPORT RMLPB

TABLEAU 1 : TABLEAU DE COMPATIBILITE DES SUPPORTS DE FIXATION POUR MONTAGES ULTERIEURS

Fabricant	Numéro de Pièce	Numéro de Pièce Appleton		
		RMSSB Petit Support Pivotant	RMLSB Large Support Pivotant	RMLPB Support à Profil Bas
Crouse Hinds	DP1057MTK		X	X
Dialight	LTXW4	X	X	
	LTXW4LP		X	X
AZZ™ Rigalite	53050	X	X	
Appleton™ Viamaster™	GRFC75A		X	

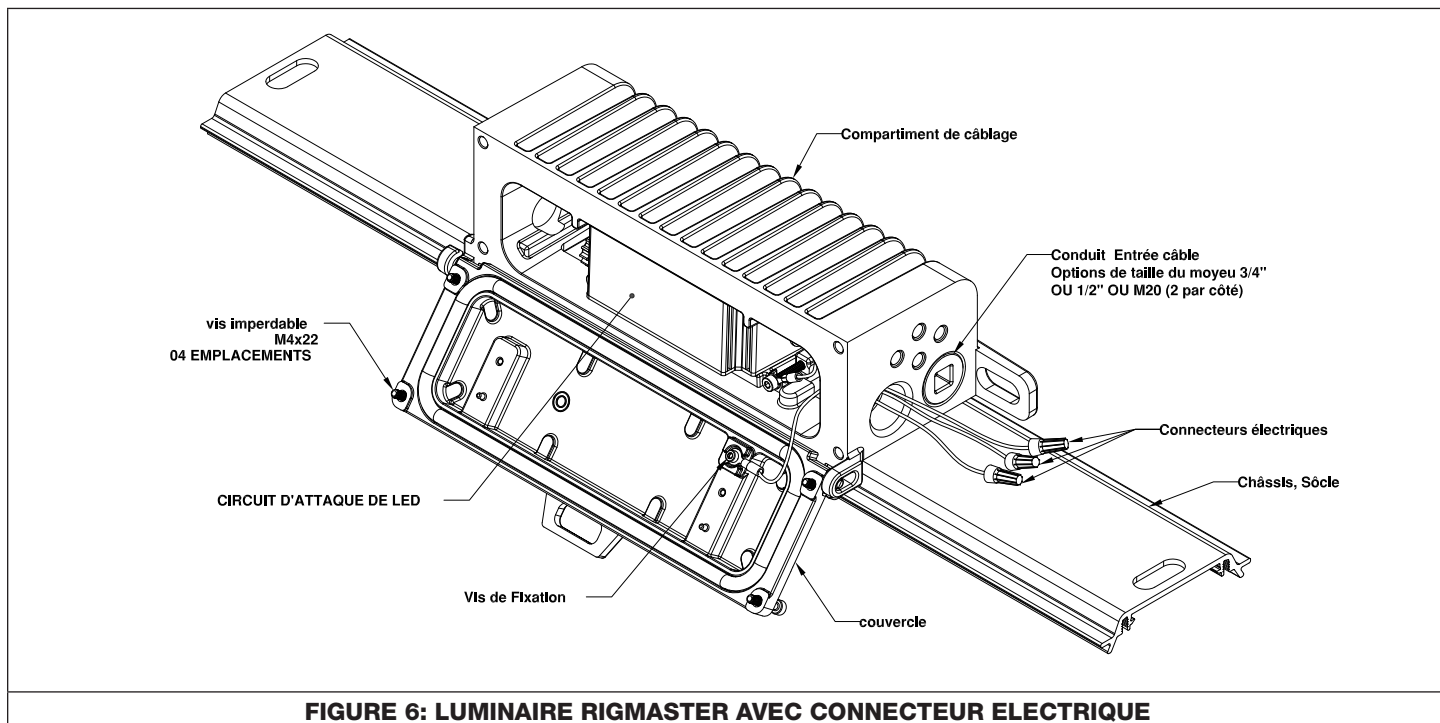
Câblage

⚠ AVERTISSEMENT : Le luminaire doit être immobilisé conformément au Code National de l'Electricité (Paragraphe 410.21 et Article 250) ou au Code Canadien de l'Electricité (Règle 30-500 et à la Section 10). Vérifiez que la continuité de masse a été établie en utilisant un ohmmètre ou un autre équipement de test approprié avant de mettre le luminaire sous tension. Si vous n'immobilisez pas correctement le luminaire, vous vous exposez à un risque de choc électrique pouvant entraîner des blessures graves, voire mortelles.

Veillez utiliser des câbles d'alimentation avec une température de 90°C ou plus

Câblage du luminaire à LED Rigmaster™ Pour Série de Luminaires avec Option Connecteur Electrique

1. Assurez-vous que l'alimentation est débranchée avant d'installer le luminaire.
2. A. **Installation avec Câble :** Dénudez la gaine extérieure du câble si nécessaire. Dénudez l'isolant de chaque fil d'environ 10 mm (0.4 in)
B. **Installations avec Câbles Individuels :** Dénudez l'isolation de chaque fil d'environ 10 mm (0.4 in)
3. **Pour Câblage standard :** Connectez les câbles d'alimentation électrique aux conducteurs à 3 fils sortant du compartiment de câblage à l'aide des connecteurs fournis avec le luminaire : voir la figure 6. Une fois le connecteur de fil branché, insérez les connecteurs électriques dans le compartiment de câblage via le conduit / câble. Trou d'entrée. Pour le schéma de câblage, voir Figure 7, 8.
4. **Pour le Câblage d'Alimentation Continue :**
 - A. Ouvrez le compartiment de câblage du luminaire en desserrant les quatre vis imperdables. Laisser le couvercle s'ouvrir pour permettre l'accès au compartiment de câblage. Voir la figure 6. Tirez les fils à travers le trou d'entrée de fil de l'autre côté de la boîte. Connectez les fils d'alimentation électrique aux câbles correspondants à l'aide des connecteurs fournis avec le luminaire. Après avoir terminé les branchements, insérer les connecteurs de fil dans le compartiment de câblage à travers le trou d'entrée du conduit / câble. Pour le schéma de câblage, voir Figure 7, 8.
 - B. Vérifiez toutes les connexions pour la continuité et l'intégrité de masse et fermez le couvercle du compartiment de câblage du luminaire.
 - C. Serrez les quatre vis imperdables en appliquant un tournevis de 2,25 N.m (20 lb.in) en suivant la séquence illustrée à la Figure 9. Assurez-vous que les fils ne se coincent pas entre le couvercle et le compartiment de câblage lors de la fermeture.
5. Appliquez de la graisse TLNC4 sur les bouchons (3 fournis) en 3 lignes espacées d'environ 120 degrés, perpendiculairement aux fils. Après application de la graisse TLNC4, fermez toutes les entrées de conduit inutilisées avec des bouchons. Appliquez un couple de serrage de 45 N.m (400 Lb.in) pour un bouchon 3/4" NPT, 28 N.m (250 Lb.in.) pour un bouchon 1/2" NPT et 25 N.m (225 Lb.) pour un bouchon M20.
6. Pour le montage en ligne continue, le nombre de luminaires connectés est inférieur au nombre mentionné.
Maximum 28 luminaires de 2 pieds. connecté en série
Maximum 15 luminaires de 4 pieds. connecté en série
7. Le luminaire peut maintenant être allumé.



SCHEMAS DE CABLAGE

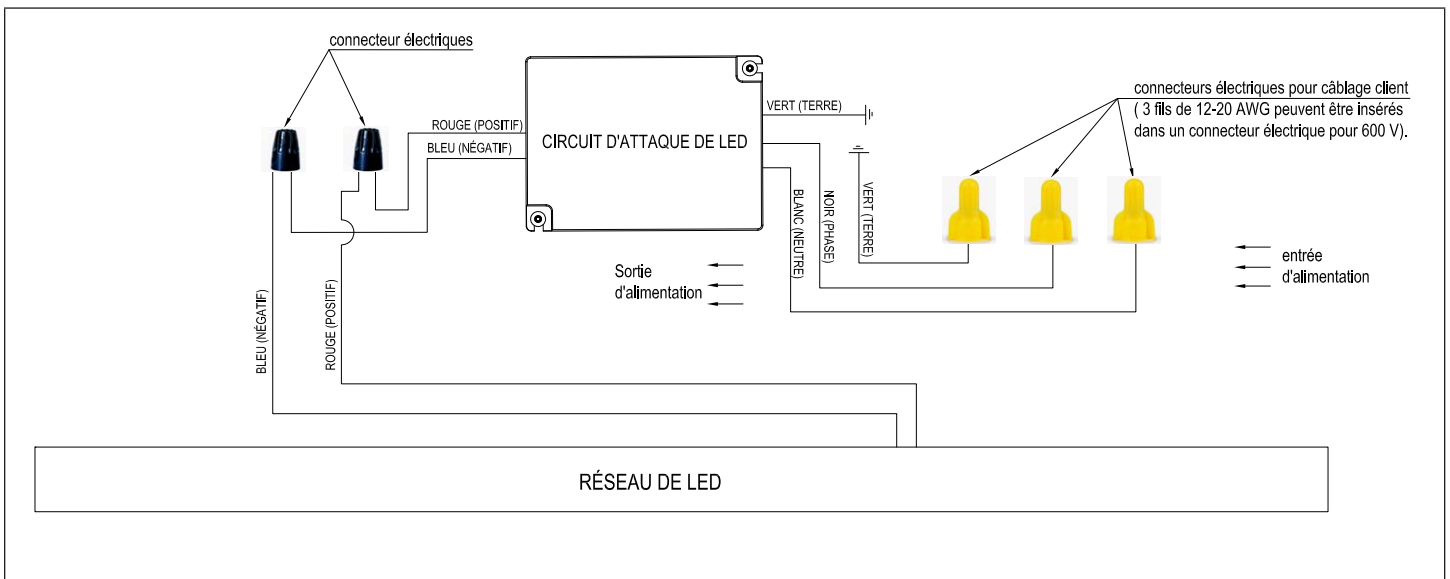


FIGURE 7 : RIGMASTER 4000 LUMEN AVEC CONNECTEURS ELECTRIQUE POUR LE CÂBLAGE CLIENT

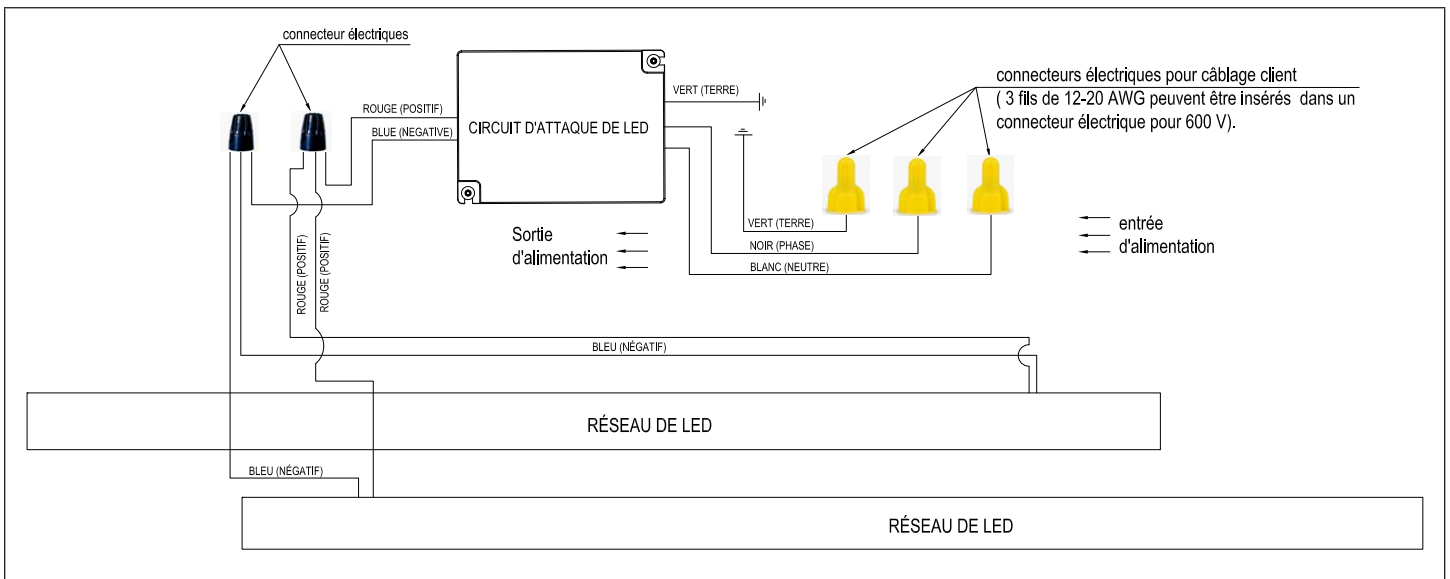


FIGURE 8 : POUR RIGMASTER 8000 LUMEN AVEC CONNECTEURS ELECTRIQUE POUR LE CÂBLAGE CLIENT

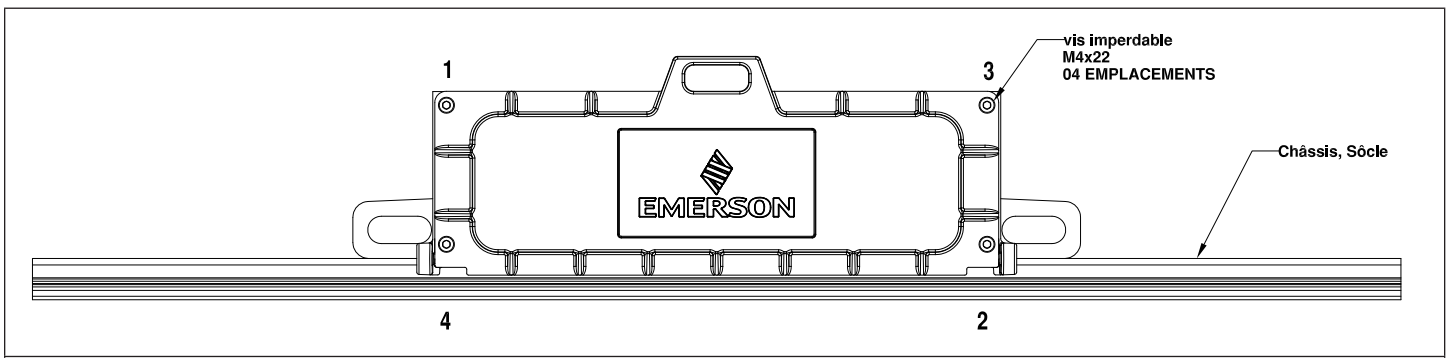
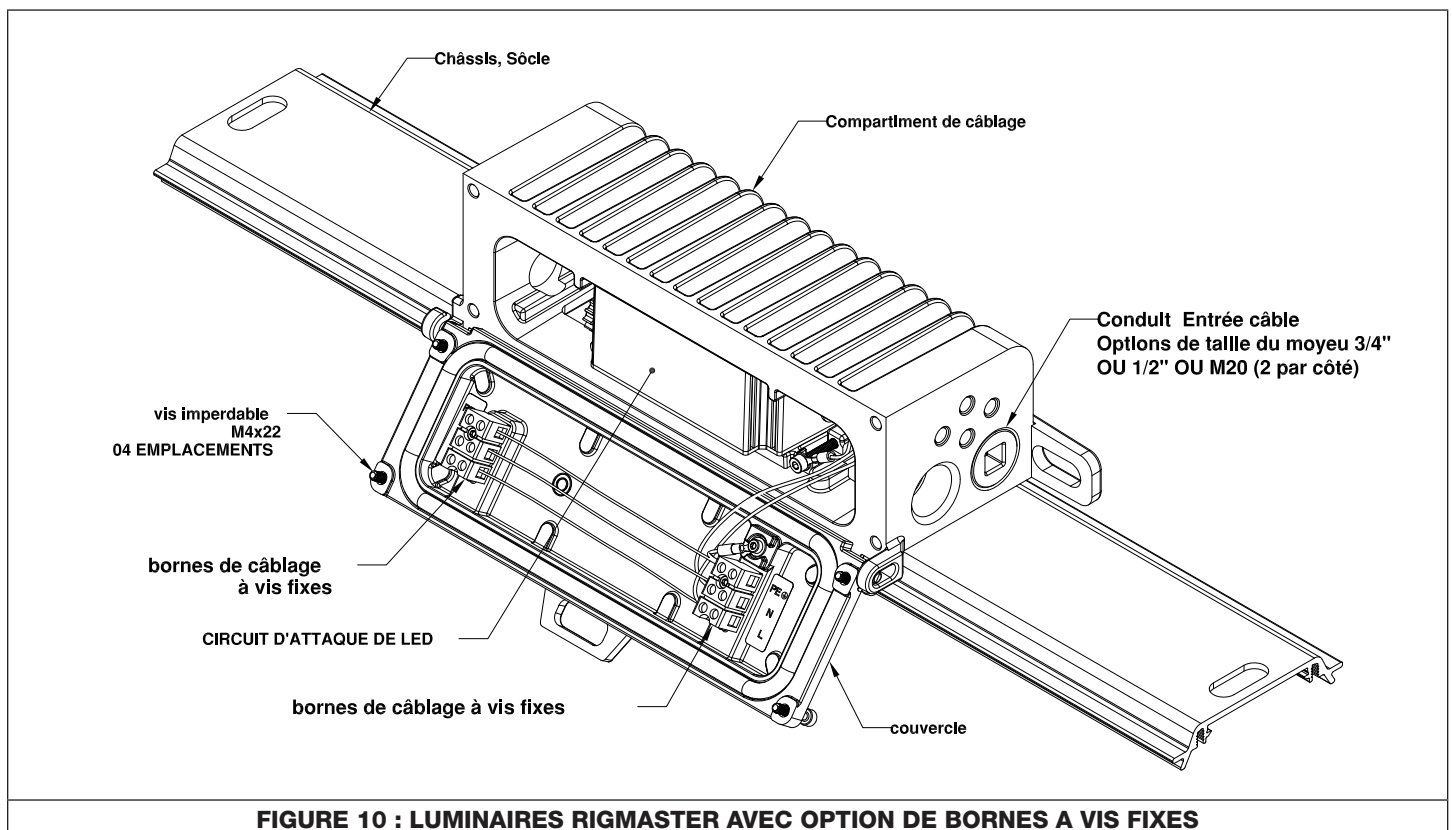


FIGURE 9 : SEQUENCE DE SERRAGE DES VIS

Pour Série de Luminaires avec Option de Borne à Vis Fixes

1. Assurez-vous que l'alimentation est débranchée avant de fixer le luminaire.
 2. Ouvrez le compartiment de câblage du luminaire en desserrant les quatre vis imperdables. Laisser le couvercle s'ouvrir pour permettre l'accès au compartiment de câblage. voir la Figure 10.
 3. **A. Installation avec Câble**
 1. Dénudez la gaine extérieure du câble comme prévu
 2. Insérez le câble dans l'entrée du conduit (avec le raccord approprié) dans le compartiment de câblage du luminaire.**B. Installations avec Câbles Individuels**
 1. Faites passer les conducteurs par le conduit jusqu'au compartiment de câblage du luminaire.
- REMARQUE :** Voir la plaque signalétique du produit pour connaître les spécifications du câble d'alimentation. Le bornier peut accepter des câbles 12-20 AWG. Utilisez le calibre de fil approprié en fonction de l'utilisation.
4. Dénudez les fils individuels d'environ 5 mm et insérez-les dans les connecteurs appropriés du bornier. Les points de connexion sont identifiés sur le bornier comme suit : "L" = Ligne, "N" = Neutre et "PE" = Masse. Serrer les vis du bornier sur le fil avec un tournevis de 0,75 N.m (6,5 lb.in). Voir la figure 10.
 5. Vérifiez tous les branchements pour la continuité et l'intégrité de la masse.
 6. Une fois le bornier relié à l'entrée d'alimentation, fermez le couvercle du compartiment de câblage du luminaire.
 7. Serrez les quatre vis imperdables en appliquant un couple de serrage de 2,25 N.m (20 Lb.in) en suivant la séquence illustrée à la Figure 9. Assurez-vous que les fils ne se coincent pas entre le couvercle et le compartiment de câblage lors de la fermeture.
 8. Appliquez de la graisse TLNC4 sur les bouchons (3 fournis) en 3 lignes espacées d'environ 120 degrés, perpendiculairement aux fils. Après application de la graisse TLNC4, fermez toutes les entrées de conduit inutilisées avec des bouchons. Appliquez un couple de serrage de 45 N.m (400 Lb.in) pour un bouchon 3/4" NPT, 28 N.m (250 Lb.in.) pour un bouchon 1/2" NPT et 25 N.m (225 Lb.) pour un bouchon M20.
 9. Pour le montage en ligne continue, le nombre de luminaires connectés est inférieur au nombre mentionné.
Maximum 28 luminaires de 2 pieds. connecté en série
Maximum 15 luminaires de 4 pieds. connecté en série
 10. Le luminaire peut maintenant être allumé.



Schémas de Câblage

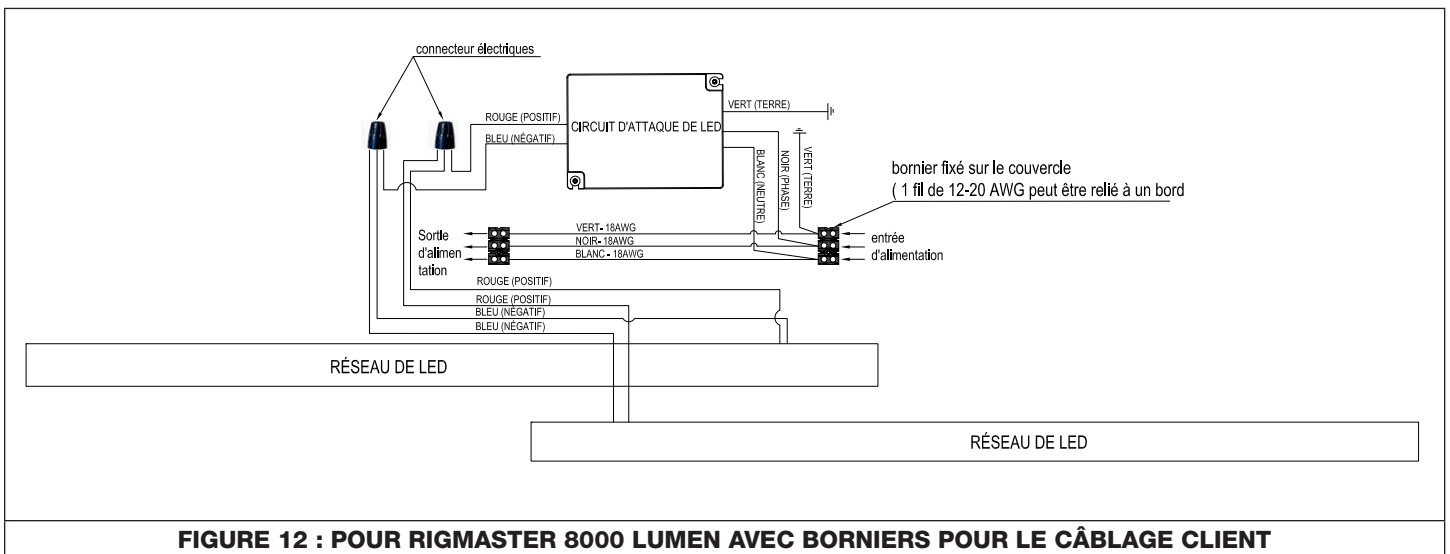
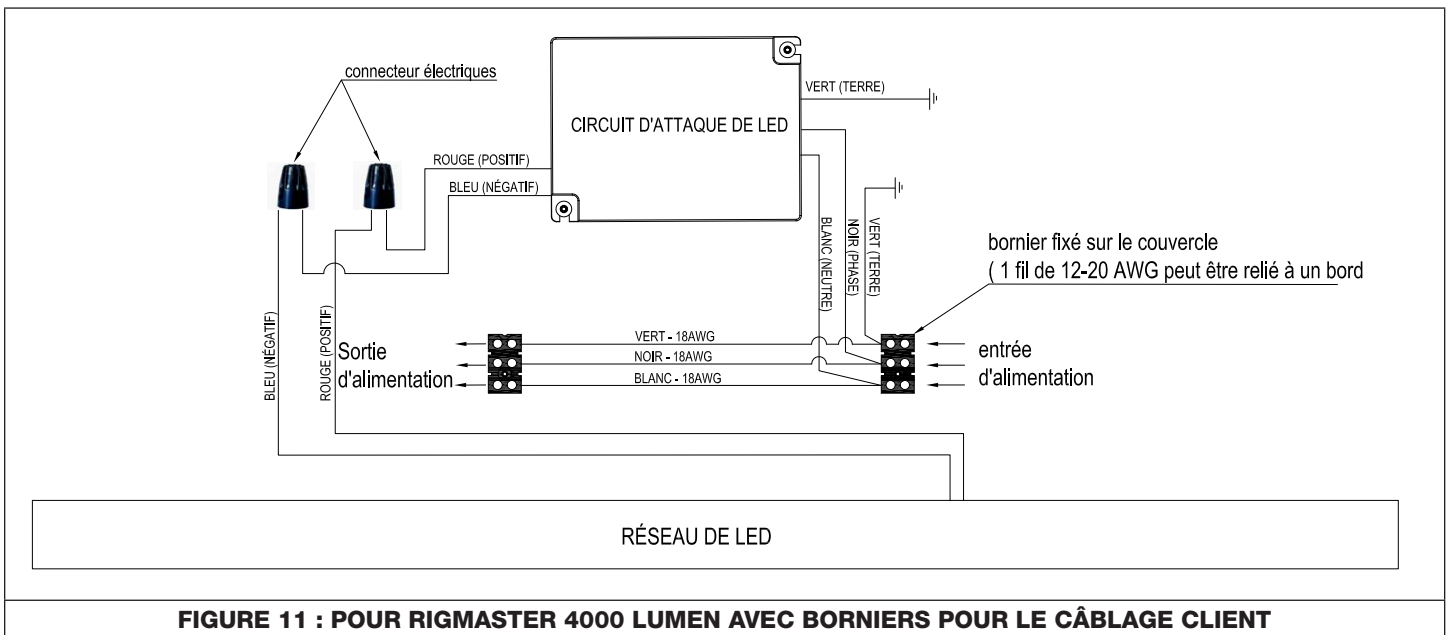


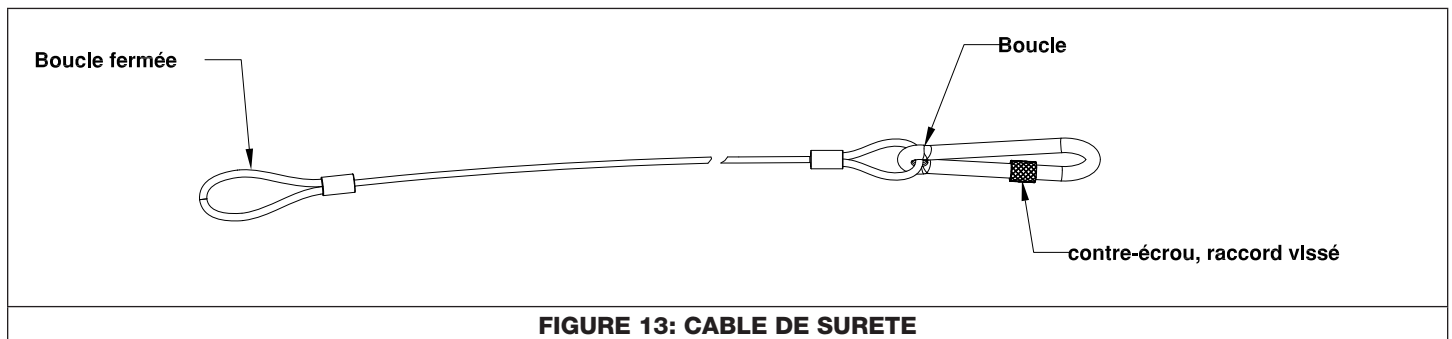
TABLEAU 2 : CONNECTEURS POUR CÂBLE APPLETON™ RECOMMANDÉS - VOIR TABLEAU CI-DESSOUS

SERRE-CÂBLES COMPATIBLES	
Numéro de Pièce Appleton	Recommandation
CG3150	Adapté pour un câblage traversant utilisant l'un ou l'autre côté (2 SC de chaque côté)
CG6250	Adapté pour un câblage traversant utilisant l'un ou l'autre côté (2 SC de chaque côté)
CG5075	Adapté pour un câblage traversant utilisant l'un ou l'autre côté (2 SC de chaque côté)
CG3150S	Adapté pour un câblage traversant utilisant l'un ou l'autre côté (2 SC de chaque côté)
CG6250S	Convient pour un câblage traversant utilisant les deux côtés (1 SC de chaque côté)
CG5075S	Convient pour un câblage traversant utilisant les deux côtés (1 SC de chaque côté)
CÂBLE D' INTERCONNECTION COMPATIBLE	
Numéro de Pièce Appleton	Recommandation
TC050055	Convient pour un câblage traversant utilisant les deux côtés (1 connecteur de chaque côté)

Installation du Câble de Sûreté

TABLEAU 3 : CARACTÉRISTIQUES DU CÂBLE DE SÛRETÉ

Diamètre du Câble	Longueur	Tolérance	Matériaux Boucle/Gaine/Câble	Charge de travail Sécurisée avec un Facteur de Sécurité de 5.1
4 mm (5/32 in.)	1219 mm (48 in.)	+50/-25 mm (+2.0/-1.0 in.)	316 Acier Inoxydable	113 kg Max. (250 lbs. Max.)

**FIGURE 13: CÂBLE DE SURETE**

1. Installez le luminaire avec le support fourni en utilisant le moyen de montage souhaité.
2. Insérez la boucle fermée de câble de sûreté dans la fente prévue aux extrémités du luminaire. Il est recommandé de faire passer le câble par la fente fournie sur le couvercle, le compartiment de câblage et le socle. (Voir Figure 14,15).
3. Insérez l'œillet (boucle) au centre de l'extrémité bouclée et fermée et tirez jusqu'à ce que l'extrémité soit serrée.
4. Fixez le câble de sûreté à la structure de support souhaitée à l'aide de l'extrémité de l'œillet (boucle).
5. Serrez le raccord vissé (porte) jusqu'à ce qu'il soit serré.

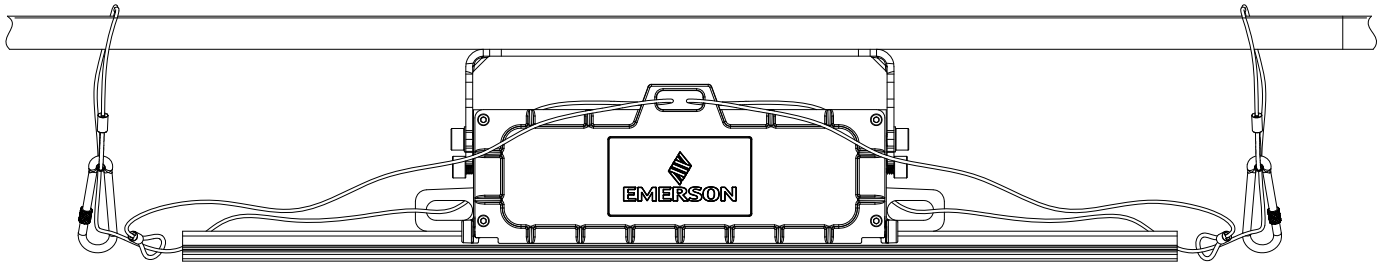
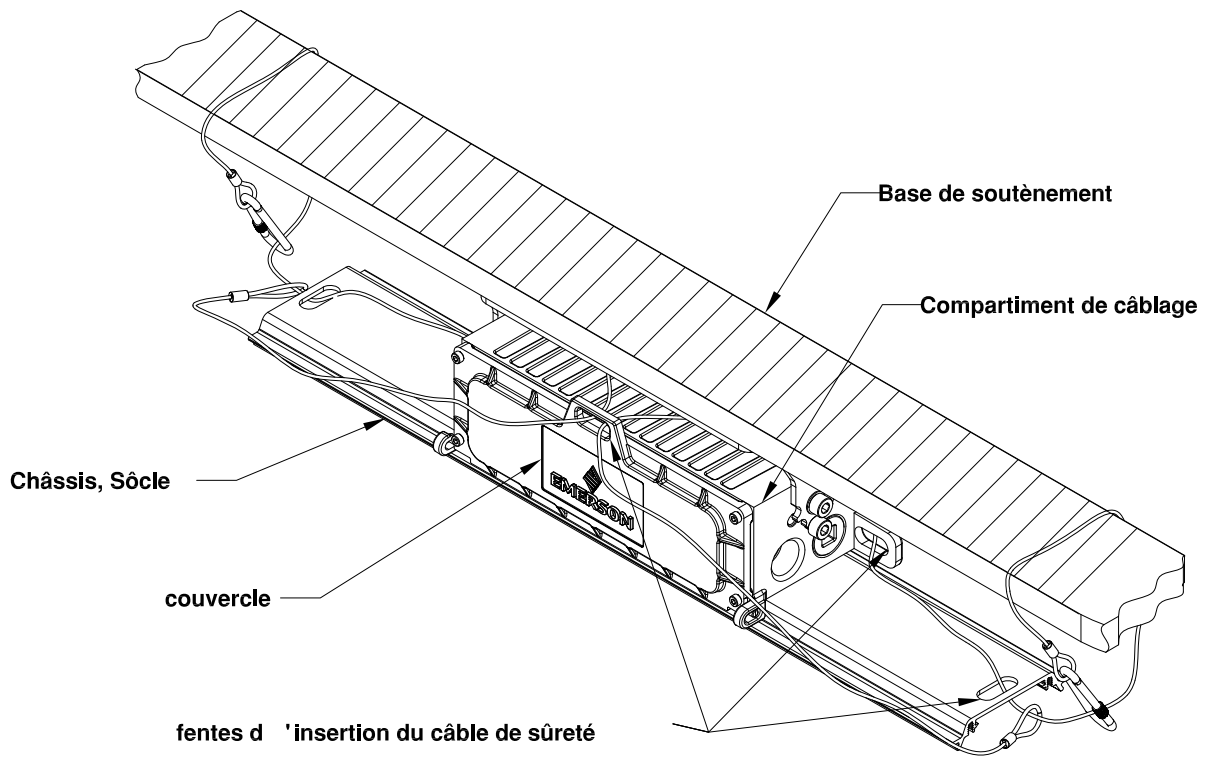
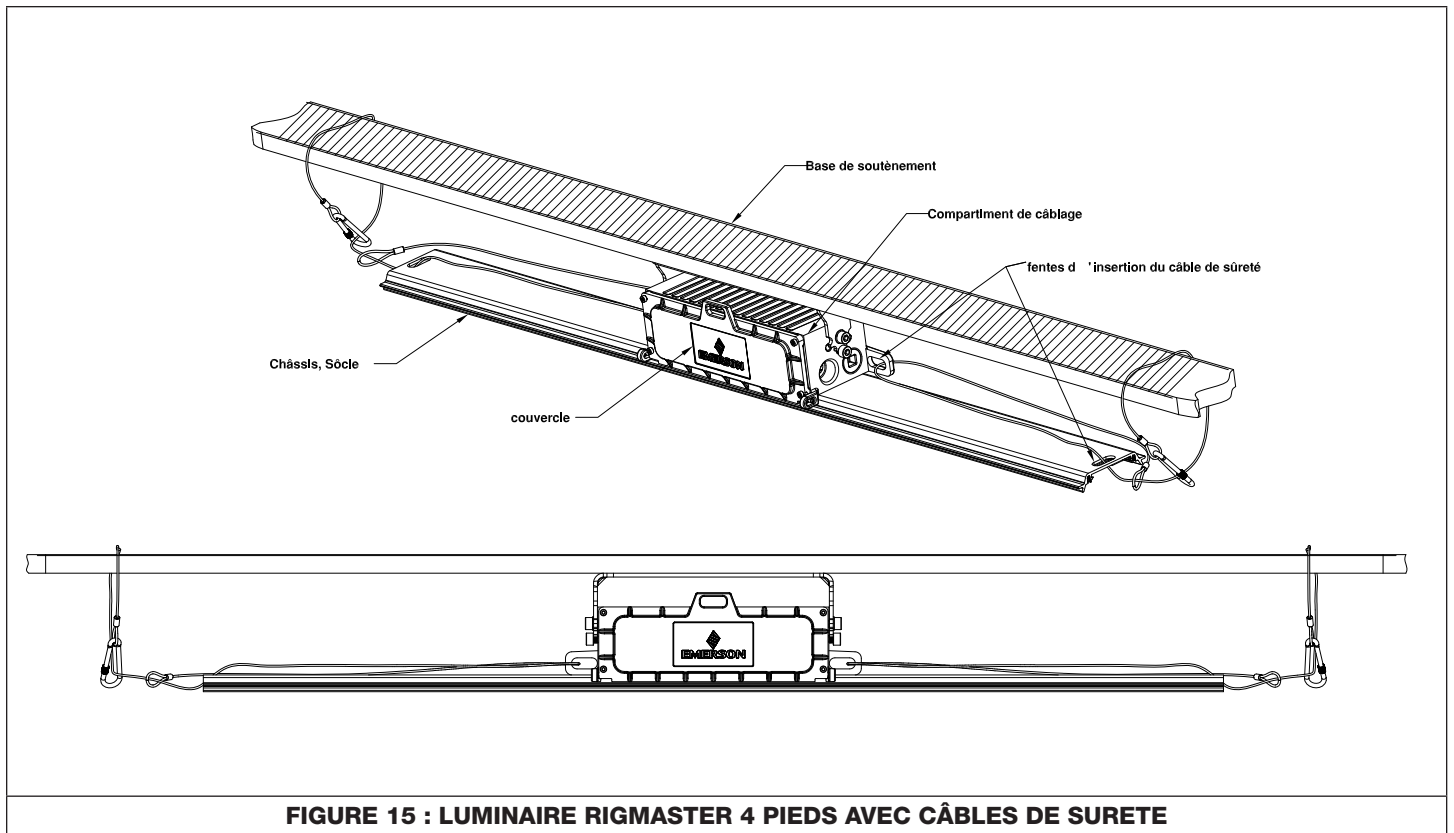


FIGURE 14 : LUMINAIRE RIGMASTER 2 PIEDS AVEC CÂBLES DE SURETE



Sauf disposition contraire expresse d'Appleton Grp, LLC (Appleton), les produits Appleton sont conçus pour un achat par des utilisateurs industriels et pour une utilisation par des personnes qualifiées et expérimentées dans l'utilisation et l'entretien de cet équipement, et non par des clients ou des utilisateurs particuliers. Les garanties d'Appleton ne s'étendent PAS à des utilisateurs particuliers, et aucun détaillant n'est autorisé à étendre les garanties d'Appleton pour quelque consommateur que ce soit.

Bien que toutes les précautions possibles aient été prises pour garantir l'exactitude et l'exhaustivité de ce manuel, Appleton Grp, LLC, décline toute responsabilité quant aux dommages résultant de l'utilisation de ces informations ou aux erreurs ou omissions éventuelles. Les spécifications sont sujettes à modification sans préavis. Les logos Appleton et Emerson sont déposés auprès du bureau des brevets et des marques déposées des États-Unis (U.S. Patent and Trademark Office). Tous les autres noms de produits ou de services appartiennent à leurs propriétaires respectifs.

©2019 Appleton Grp, LLC. Tous droits réservés.