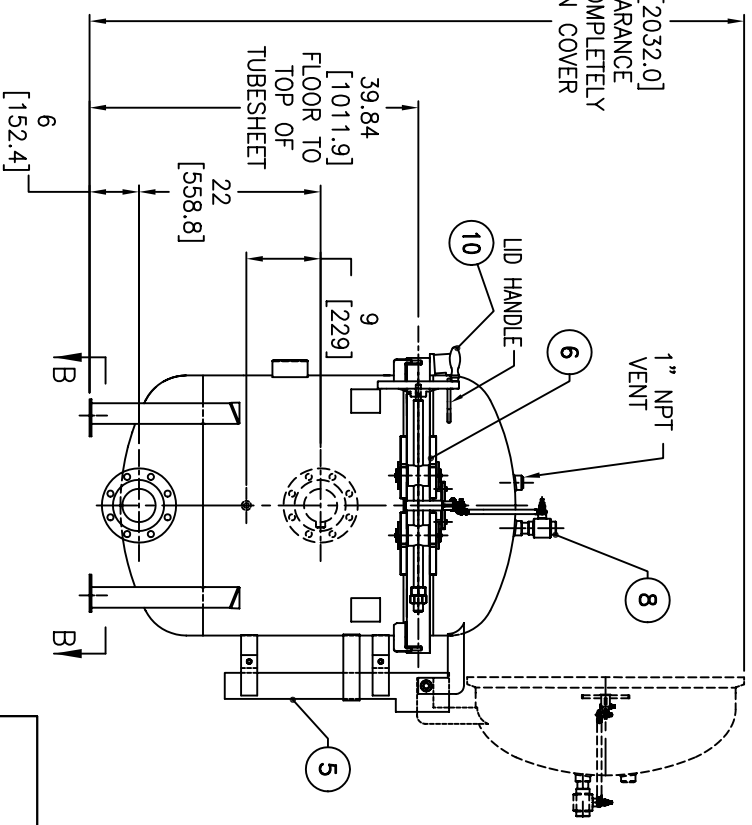
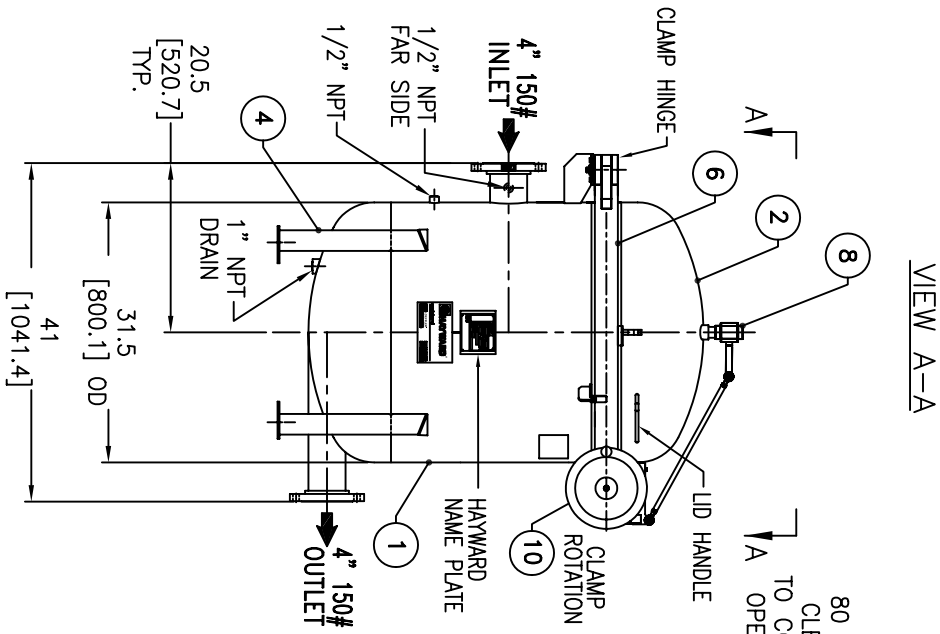


(4) .75 [19.0] Ø BOLT HOLES  
LOCATED ON 30.71 [780.0] B.C.D.

ITEM	PART NAME	MATERIAL
1	BODY	SA240-316/316L
2	COVER	SA240-316/316L
3	O-RING	BUNA-N
4	LEGS	STAINLESS STEEL
5	SPRING ASSISTED MECHANISM	STAINLESS STEEL
6	CLAMP ASSEMBLY	STAINLESS STEEL
7	FILTER BAG HOLD DOWN	316 SS
8	1" VENT VALVE ASSY.	316 SS
9	SPINDLE BOLT	SA193-B7 NEDOX COATED
10	SPINDLE HANDLE	ALUMINUM (BLACK COATED)

**NOTES:**

- UNITS ARE DESIGNED, FABRICATED & U STAMPED IN ACCORDANCE WITH ASME SECT. VIII, DIV. 1 BOILER & PRESSURE VESSEL CODE, IN COMPLIANCE TO LATEST ADDENDA.
- INLET/OUTLET FLANGE CONNECTIONS PER ANSI B16.5 (10.3 BAR @ 121.1°C)
- DESIGN PRESSURE: 150 PSIG @ 250°F
- ALL DIMENSIONS ARE IN INCHES / [mm]
- ALL BOLT HOLES STRADDLE NATURAL CENTERLINE.
- APPROX. WEIGHT (DRY): 920 lbs. (417 kgs.)
- APPROX. SHIPPING WEIGHT 1050 lbs. (476 kgs.)



**CERTIFIED FOR:**

P.O. NO.:  
REG. NO.:  
QUOTE NO.:  
TAG NO.:  
VESSEL CODE: V-MBF-0802-AB10-040A-UT-11SE  
PART NUMBER: F3AV0800201



**EATON FILTRATION, LLC**

900 FAIRMOUNT AVENUE, ELIZABETH, NEW JERSEY 07207  
NAME: MBF-0802 FILTER VESSEL  
4"-150# INLET/ TANGENTIAL OUTLET  
SPINDLE TYPE-SE (SSTL)

ELECTRONIC FILE NAME: SE0804TS.DWG  
REF. ECR D649 DATE 01/04/06

UNAUTHORIZED USE, MANUFACTURE OR REPRODUCTION IN WHOLE OR IN PART IS PROHIBITED. DRAWING, DESIGN AND OTHER DISCLOSURES PROPERTY OF EATON FILTRATION, LLC

DATE	BY	CHKD	REV
08/27/03	FJM	LH	08/27/03
DRAWN SIZE A			
DWG NO. SE0804TS			
REV D			