



Digital electropneumatic positioner SideControl

- Compact and robust design
- Easy to start using tune function
- Integrated diagnostic functions for valve monitoring (optional)
- Dynamic positioning system with no air consumption in controlled state
- PROFIBUS DP-V1 or DeviceNet (optional)

Type 8792 can be combined with...



Yoke type actuators



Rotary actuators



Rotary actuators with remote positioner



Process control valve with remote positioner



Hygienic process control valve with remote positioner

The robust and compact positioner is designed to standardisation acc. to IEC 60534-6-1 or VDI/VDE 3845 (IEC 60534-6-2) for assembly with linear and rotary actuators. In addition, the remote version with the displacement position sensor can be combined with Bürkert process control valves. The digital electropneumatic positioner SideControl can be operated with the usual current and voltage standard signals and can also be equipped with the fieldbus interface PROFIBUS DP-V1 or DeviceNet.

The positioner is equipped with additional diagnostic functions to monitor the state of the valve. Through status signals, valve diagnostic messages are transmitted according to NAMUR NE 107 recommendations and recorded as history. With the diagnosis, the operating conditions of the control valve can be monitored. This allows planned maintenance and optimises plant availability.

Operation occurs via the external operation and display module with a backlit graphical display. The user operation is very simple and clear, identical to the Bürkert positioner or process controller TopControl, Type 8692/8693.

The pilot valve system can be used equally for single and double-acting drives. It is characterised by a defined safety feature in case of failure of the electrical or pneumatic power supply and possesses an enormous air capacity range with pressure supply up to 7 bar.




Technical data	
Material	
Body	Aluminium plastic-coated
Seal	EPDM, NBR, FKM
Operating voltages	24 V DC +/- 10%
Residual ripple	Max. 10%
Setpoint setting	0/4 to 20 mA and 0 to 5/10 V
Input resistance	0/4 to 20 mA: 180 Ω 0 to 5/10 V: 19 kΩ
Analogue feedback	4-20 mA, 0-20 mA 0-10 V, 0-5 V
Binary input	Galvanically isolated, 0-5 V = log "0", 10-30 V = log "1"
Binary output	2 Outputs (optional), galvanically separated
Current limit	100 mA, Output will be synchronised when overloaded
Control medium	neutral gases, air, quality classes acc. to ISO 8573-1
Dust concentration	Class 7 (<40 µm particle size)
Particle density	Class 5 (<10 mg/m ³)
Pressure condensation point	Class 3 (<-20 °C)
Oil concentration	Class X (<25 mg/m ³)
Ambient temperature	-10 to +60 °C (without Ex-Approval) 0 to +60 °C (with ATEX / IECEx-Approval)
Pilot air ports	Threaded ports G 1/4
Supply pressure	1.4 to 7 bar ^{1) 2)}
Air supply filter	Exchangeable (aperture size ~0.1 mm)
Actuator system	
Air capacity	Single and double-acting to 150 l _N /min. 50 l _N /min (with 1.4 bar ²⁾) for aeration and ventilation 150 l _N /min (with 6 bar ²⁾) for aeration and ventilation (Q _{Nb} = 100 l _N /min (acc. to the definition with decrease in pressure from 7 to 6 bar absolute)
Position detection module	Potentiometer, max. angle 180°
Stroke range valve spindle	Min. 30° on the rotary shaft, depending on lever
Installation	As required, display above or sideways

¹⁾ The supply pressure has to be 0.5-1 bar above the minimum required pilot pressure for the valve actuator

²⁾ Pressure specifications: Overpressure with respect to atmospheric pressure

continued on next page

Technical data, continued

Technical data	
Type of protection	IP65/IP67 acc. to EN 60529, Type 4X acc. to NEMA 250 standard
Power consumption	< 5 W
Electrical connection	
Multipole connection	M12, 8-pin/4-pin; M8, 4-pin
Cable gland	2x M20x1.5 (cable Ø 6-12 mm) on screw terminals (0.14-1.5 mm ²)
Remote version	1x M12x1.5 (cable Ø 3-6.5 mm)
Bus communication	PROFIBUS DP-V1 or DeviceNet
Protection class	III acc. to DIN EN 61140
Conformity	EMC directive 2014/30/EU
CSA approval information	
Product category code	Class 3221 82-VALVES - Actuators - Certified to US standards Class 3221 02-VALVES - Actuators
Considered standards	CAN/CSA-C22 2 No. 139 UL 429
CSA trademark	
Ex-Approval	ATEX  II 3G Ex ec ic IIC T4 Gc /  II 3D Ex tc IIIC T135°C Dc Certificate; BVS 16 ATEX E 118 X
	IECEX Ex ec ic IIC T4 Gc / Ex tc IIIC T135°C Dc Certificate; IECEX BVS 16.0091 X

Technical data - Linear Remote Position Sensor (ELEMENT)	
Electrical connection	
Cable gland	1x M16x1.5 (cable Ø 5-10 mm) on terminal screws (0.14-1.5 mm ²)
Connection cable length	10 m
Operating voltage	24 V DC ± 10 %
Power consumption	< 0.3 W
Sensor measurement range	3 to 45 mm (Stroke range valve spindle)
Actual position signal	digital (RS485)
Ambient temperature	-25 to +80 °C
Protection class	III acc. to DIN EN 61140
Type of protection	IP65 and IP67 acc. to EN 60529, Type 4X acc. to NEMA 250 standard
Type of Ignition protection	II 3D Ex tc IIIC T135 °C Dc II 3G Ex nA IIC T4 Gc
Conformity	EMC directive 2014/30/EU
Approvals	cULus Certificate no. 238179

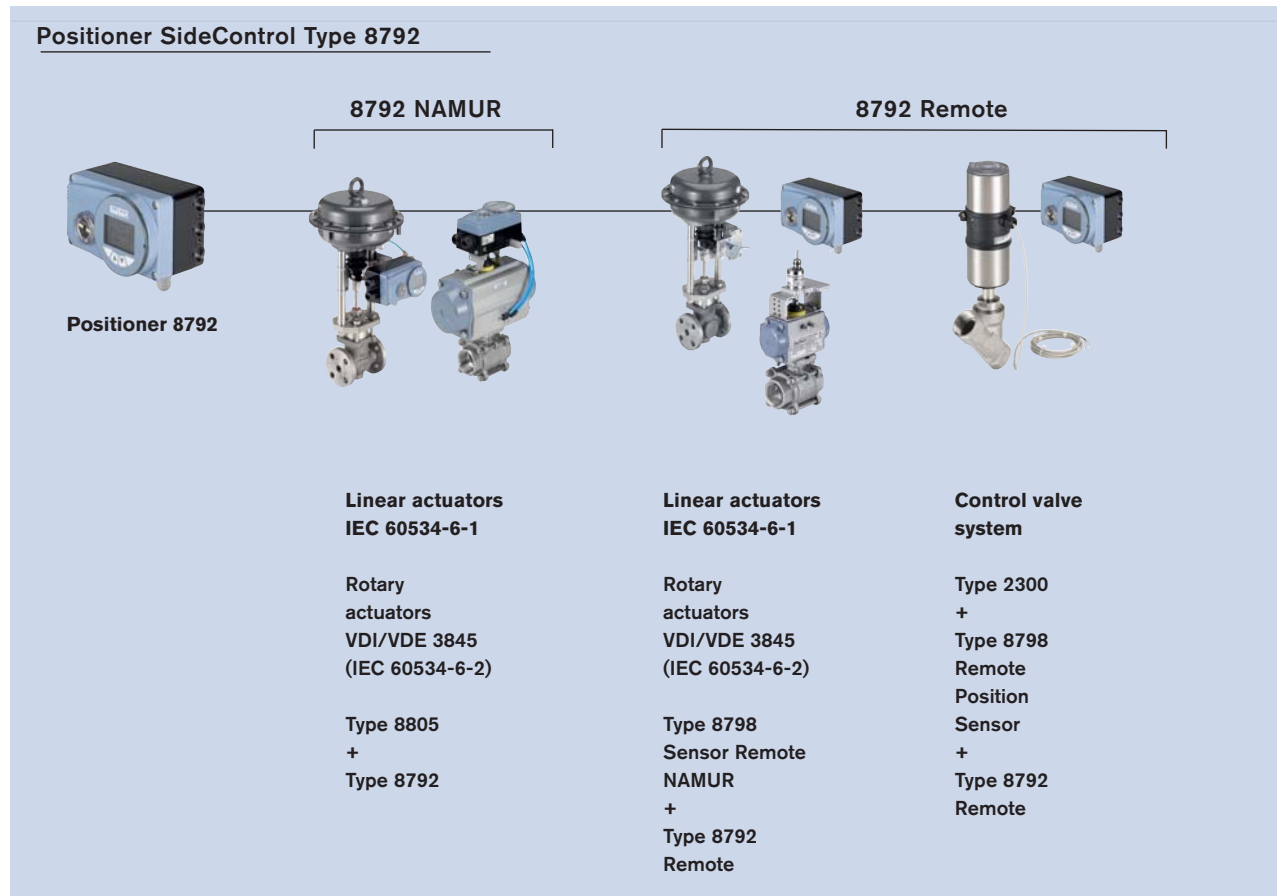
Technical data - rotative Remote Position Sensor (NAMUR)	
Electrical connection	2 m round cable (shielded)
Operating voltage	10 to 30 V DC
Residual ripple	< 0.8 W
Sensor measurement range	0° to 360°
Actual position signal	digital (RS485)
Ambient temperature	-25 to +80 °C
Protection class	III acc. to DIN EN 61140
Type of protection	IP65 acc. to EN 60529
Conformity	EMC directive 2014/30/EU
Approvals	UL (cULus) Certificate no. E226909

Technical data - Position feedback with proximity switches (Accessory)	
Electrical connection	M12, 4-pin
Output function	3-wire, normally open contact, PNP
Operating voltage	10 to 30 V DC
Residual ripple	≤ 10% U _{ss}
DC rated current	≤ 100 mA
Type of protection	IP65 and IP67
Protection class	III acc. to DIN EN 61140
Conformity	EMC directive 2014/30/EU
Approvals	cCSAus

Note: The position feedback has two proximity switches which are independently adjustable via switch lugs.

Using a remote positioner the length of the control air pipes influences the dynamics and attainable accuracy of the position control loop. The length of the control air pipes therefore should be as short as possible.

Example of assembly variations of positioner SideControl

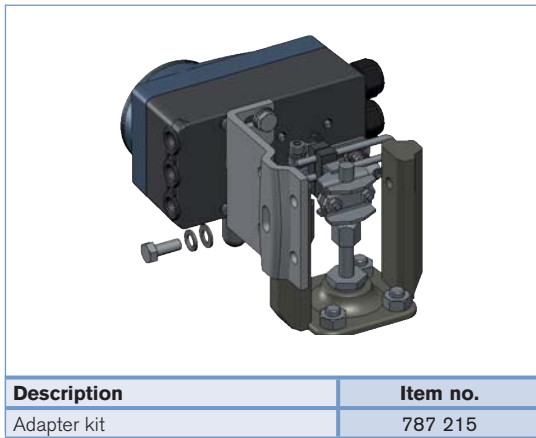


Assembly options

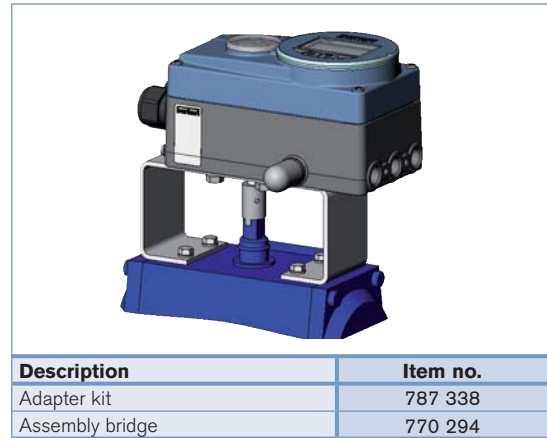
NAMUR Version

(Positioner with integrated position sensor, assembly acc. to NAMUR/IEC 60534-6-1 and VDI/VDE 3845 (IEC 60534-6-2))

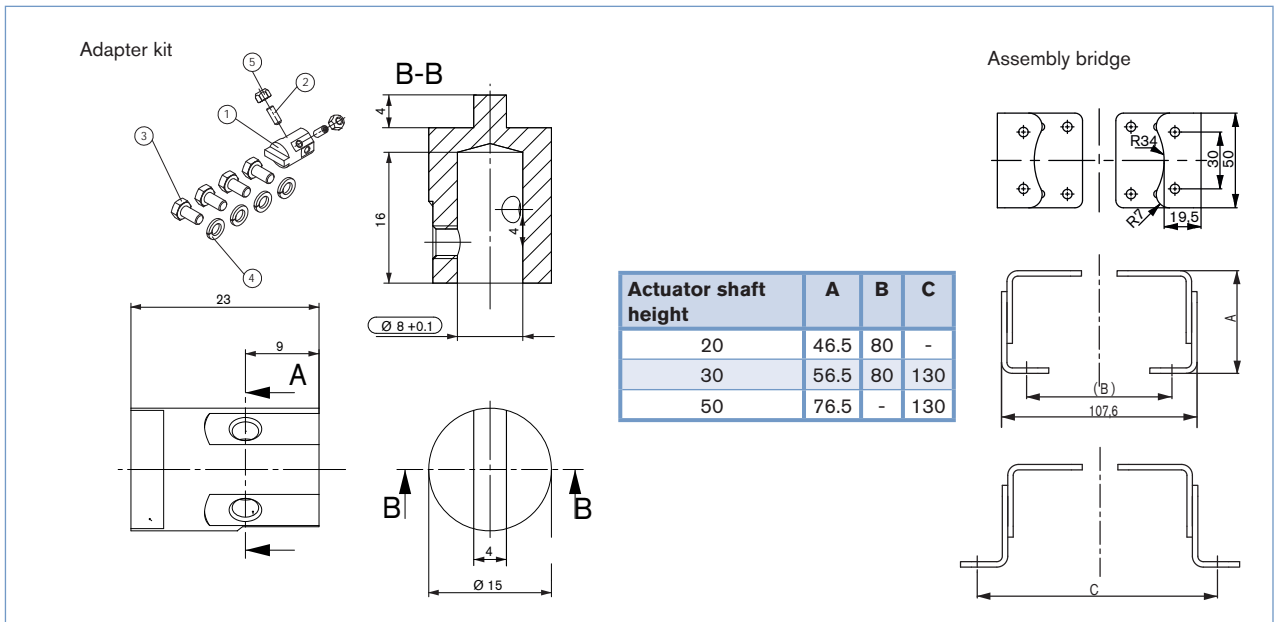
Assembly on linear actuator



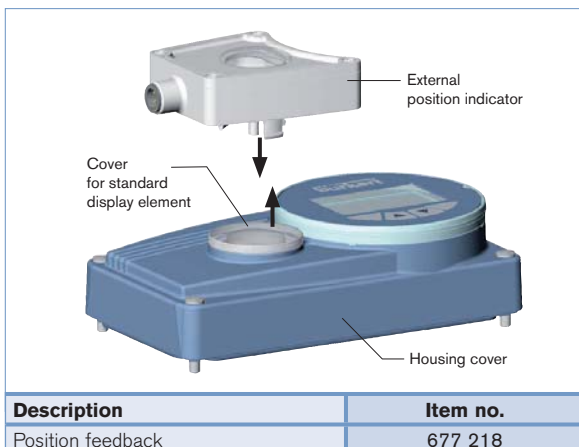
Assembly on rotary actuator



Dimensions [mm]



Position feedback with proximity switches
(upgrade feature for SideControl NAMUR)

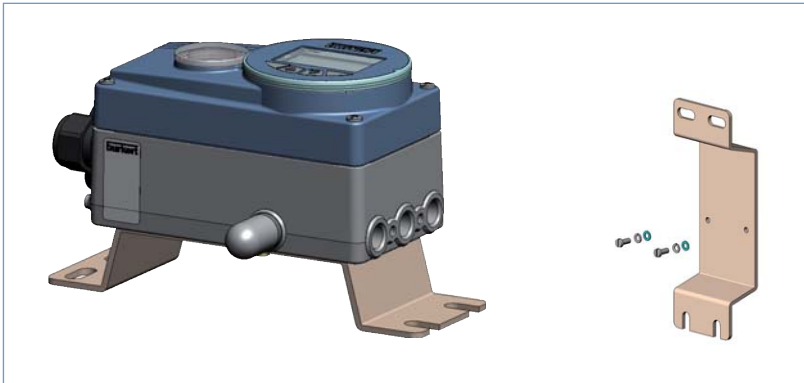


Assembly options *continued*

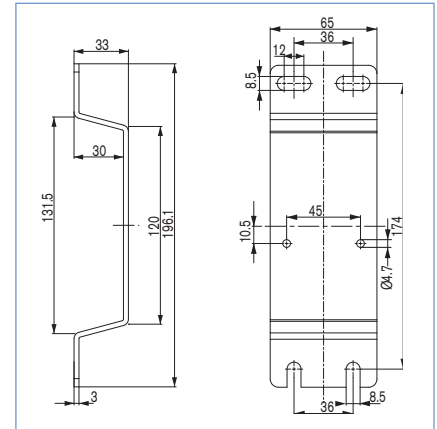
Remote version

(Displaced positioner with external remote position sensor)

Assembly with accessory brackets

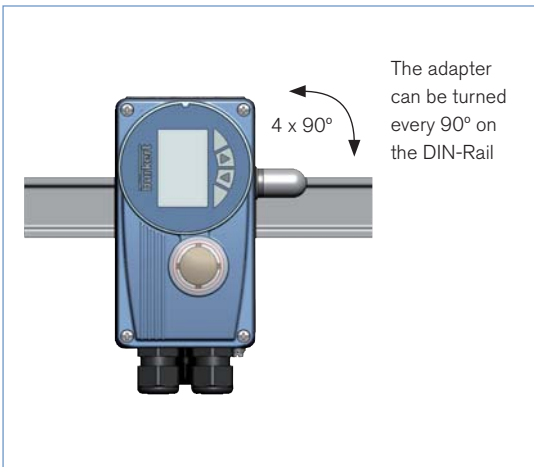


Dimensions [mm]

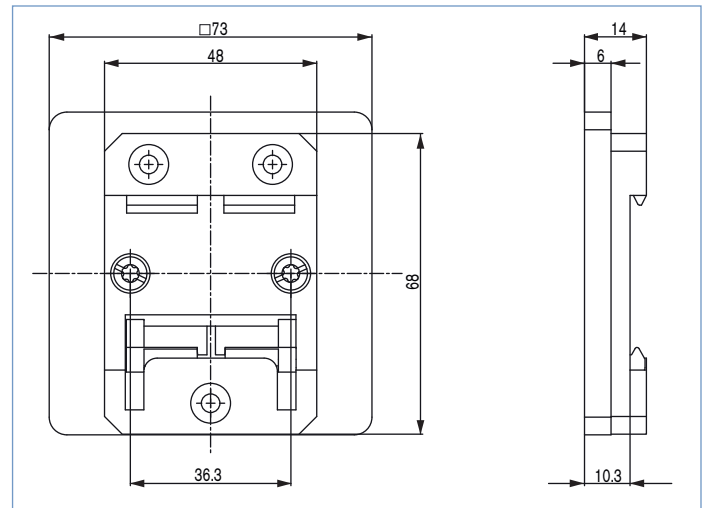


Description	Item no.
Assembly bracket for wall mounting	675 715

Assembly on DIN-Rail



Dimensions [mm]



Description	Item no.
DIN rail assembly kit	675 702

Assembly options *continued*

Remote version
(Remote position sensor for displaced positioner)

Type 8798

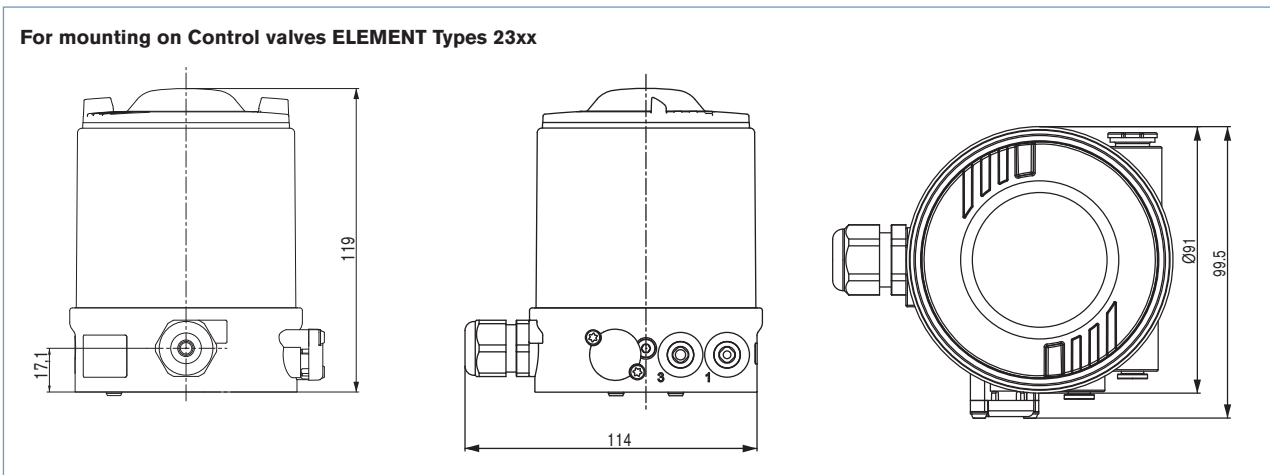


Description	Item no.	
	Standard	ATEX II 3 GD
Remote Position Sensor Control valves ELEMENT Types 23xx	212 360	226 860



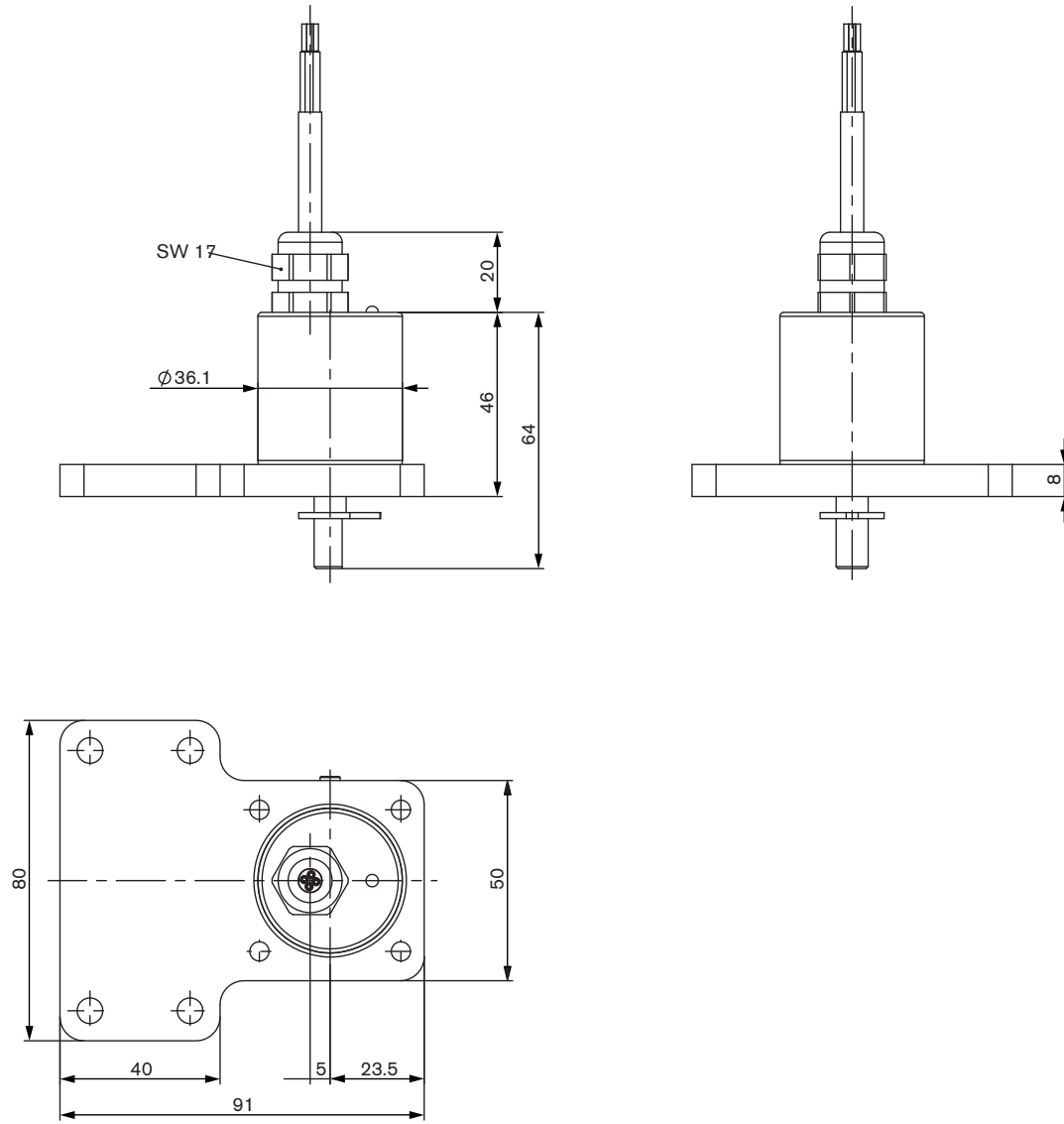
Description	Item no.
Remote Position Sensor NAMUR	211 536

Dimensions



Dimensions

Mounting on control valves according to NAMUR (IEC 60534-6-1 / VDI/VDE 3845 (IEC 60534-6-2))



Ordering Chart (further version on request)

Positioner SideControl Type 8792

Assembly variations	Control function	Pilot valve system /Air capacity	Communication	Electrical connection	Analogue feedback	2 Binary outputs	Binary Input	Diagnostic functions*	ATEX II 3GD / IECEx	Item no.
NAMUR IEC 60534-6-1 VDI/VDE 3845 (IEC 60534-6-2)	Single and double-acting	Universal	No	Cable gland	no	no	yes			206 610
					no	yes	yes	yes		206 612
					yes	yes	yes	yes		206 611
				yes	yes	yes	yes	yes	310 306	
				Multipole	no	no	yes		206 613	
					no	yes	yes	yes		206 615
			yes		yes	yes	yes		206 614	
			PROFIBUS DP-V1	via Bus	no	yes		206 616		
				via Bus	no	yes	yes	310 308		
				via Bus	yes	yes	yes	yes	310 309	
				via Bus	yes	yes	yes		206 617	
			DeviceNet	no	no	yes		239 094		
				no	yes	yes	yes		239 095	

Assembly variations	ELEMENT Actuator size	Control function	Pilot valve system /Air Capacity	Communication	Electrical connection	Analogue feedback	2 Binary outputs	Binary Input	Diagnostic functions*	ATEX II 3GD / IECEx	Item no.
Remote	Ø 70/90 mm	Single-acting	Low	no	Cable gland	yes	yes	yes	yes		224 870
						no	yes	yes	yes		224 871
	Ø 130 mm	Single and double-acting	Universal			no	no	yes		206 623	
						yes	yes	yes	yes		206 624
						no	yes	yes	yes		206 625
						yes	yes	yes	yes	yes	310 310

Assembly variations	Electrical connection	Item No.	
Remote Position Sensor		Standard	ATEX II 3 GD/ IECEx
ELEMENT Type 23xx	Cable gland - 10 m round cable	212 360	226 860
NAMUR (rotative)	Cable gland - 2 m round cable (max. extension 10 m)	211 536	-

*see additional software functions parametrisable diagnostic functions on page 13

Ordering chart for accessories

Description	Item no.
Accessories for SideControl NAMUR	
Assembly bridge VDI/VDE 3845 (IEC 60534-6-2), stainless steel	770 294
Adapter kit VDI/VDE 3845 (IEC 60534-6-2), stainless steel	787 338
Adapter kit linear actuators IEC 60534-6-1, stainless steel	787 215
Position feedback with proximity switches (optional upgrade feature) ³⁾	677 218

Accessories for SideControl Remote	
Bracket for wall mounting, stainless steel	675 715
DIN rail assembly kit, Aluminium/stainless steel	675 702
Adapter kit - remote sensor, ELEMENT Type 23xx control valves Actuator size Ø 70/90/130 mm	679 917
Sensor Puck (replacement part)	682 240

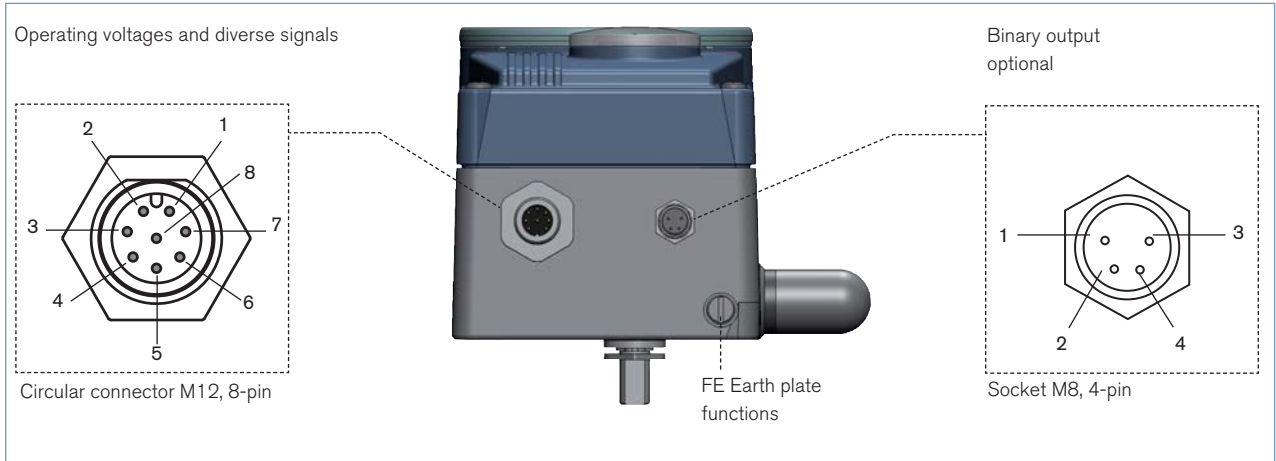
Standard Accessories	
USB Interface for serial communication	227 093
M12 socket 8-pin with 5 m cable for power supply and input/output signals	919 267
M8 plug 4-pin for binary outputs, with solder joints	917 131
Silencer G 1/4" (spare part)	780 780

* Related Communication software can be downloaded from www.buerkert.com (8792)

³⁾ External end position feedback for upgrading SideControl NAMUR

Connection options

Multi-pin connection



Circular connector M12 - 8-pin (Setpoint)

Pin	Configuration	External Circuitry / signal level
1	Setpoint + (0/4-20 mA or 0-5/10 V)	1 + (4-20 mA or 0-10 V) Complete galvanically separated
2	Setpoint GND	2 GND
3	GND	3 24 V DC ± 10% Max. Residual ripple 10%
4	+ 24 V	4 24 V DC ± 10% Max. Residual ripple 10%
5	Binary input +	5 + 0-5 V (log. 0) 10-30 V (log. 1)
6	Binary input GND	6 GND

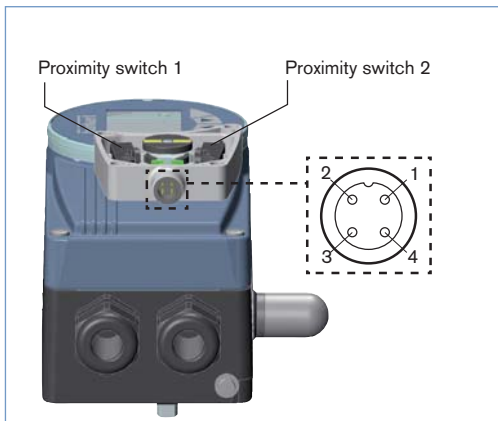
Optional analogue feedback

8	Analogue feedback +	8 + (0/4-20 mA or 0-5/10 V,) Complete galvanically separated
7	Analogue feedback GND	7 GND

Socket M8, 4-pin (only with Binary Output Option)

Pin	Configuration	External Circuitry / signal level
1	Binary Output 1	1 24 V / 0 V, NC / NO relative to operating voltage GND (terminal GND)
2	Binary Output 2	2 24 V / 0 V, NC / NO relative to operating voltage GND (terminal GND)
3	Binary Output GND	3 GND

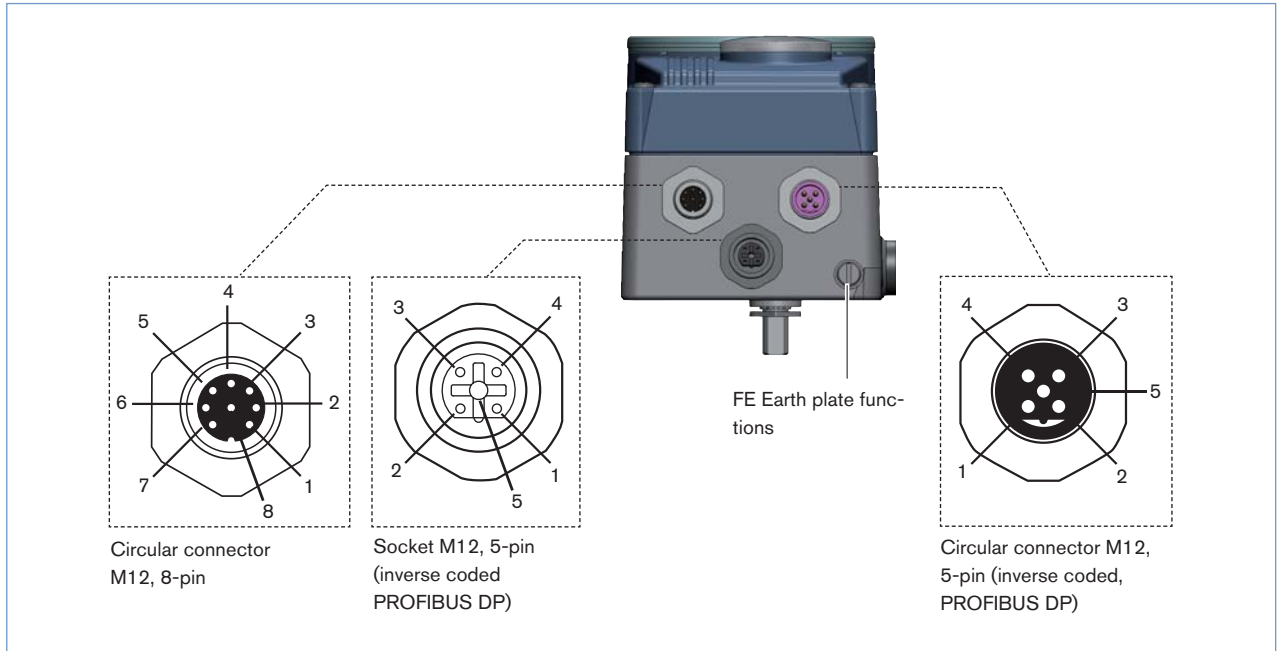
Electrical connection Position feedback with proximity switches (accessory for upgrading)



Pin	Config.	External circuit /signal level
1	Supply 10 ... 30 V	+10 V ... +30 V 1 10 ... 30 V
2	Switching output (NO) Proximity switch 1	+10 V ... +30 V 2 Open / 10 ... 30 V
3	GND	GND 3 GND
4	Switching output (NO) Proximity switch 2	+10 V ... +30 V 4 Open / 10 ... 30 V

Connection options, continued

Connection PROFIBUS DP



Operating voltages - Circular connector M12, 8-pin

Pin	Configuration	External Circuitry / signal level
1	Not configured	
2	Not configured	
3	GND	
4	+24 V	
5	Binary input +	
6	Binary input -	
7	Binary Output 1 (oriented at Pin 3)	
8	Binary Output 2 (oriented at Pin 3)	

Bus-Connection - socket/Circular connector M12, 5-pin

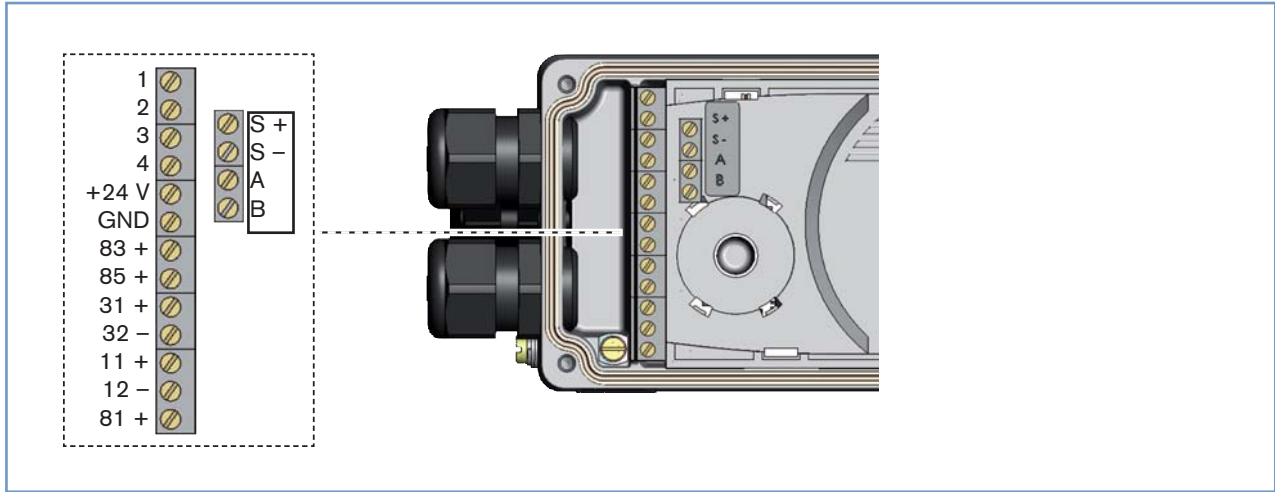
Pin	Configuration	External Circuitry / signal level
1	VP+5	Load resistance supply
2	RxD/TxD-N	Receive and send information -N, A Circuitry
3	DGND	Information transfer potential (measured to 5 V)
4	RxD/TxD-P	Receive and send information -P, B Circuitry
5	Shield	Shield / protective earth

Bus connection DeviceNet - M12, 5-pole circular connector

Pin	Signal	Colour	Configuration
1	Shielding	Not used	
2	V+	Not used	
3	V-	Not used	
4	CAN H	White	
5	CAN L	Blue	

Connection options, continued

Cable gland connection



Terminal	Configuration	External Circuitry / signal level
11 +	Setpoint +	11 + + (4-20 mA or 0-10 V) Complete galvanically separated
12 -	Setpoint GND	12 - GND
81 +	Binary input +	81 + + Obtained at GND operating voltages (GND clamps)
+24 V	Operating voltages +	+24 V 24 V DC ± 10 % max. Residual ripple 10 %
GND	Operating voltages GND	GND

Terminals 1, 2, 3, 4: not connected

Optional Analogue feedback / Binary Output

Terminal	Configuration	External Circuitry / signal level
83 +	Binary Output 1	83 + 24 V / 0 V, NC / NO Obtained at GND operating voltages (GND clamps)
85 +	Binary Output 2	85 + 24 V / 0 V, NC / NO Obtained at GND operating voltages (GND clamps)
31 +	Analogue feedback +	31 + + (0/4-20 mA or 0-5/10 V) Complete galvanically separated
32 -	Analogue feedback GND	32 - GND

Terminal 1, 2, 3, 4 : NC

Optional remote version in connection with remote positioner sensor Type 8798

Terminal	Configuration	External Circuitry / signal level
Remote Sensor	A	Serial interface, A cable
	B	Serial interface, B cable
	S +	Supply sensor +
	S -	Supply sensor -
		A A line
		B B line
		S + +
		S - -

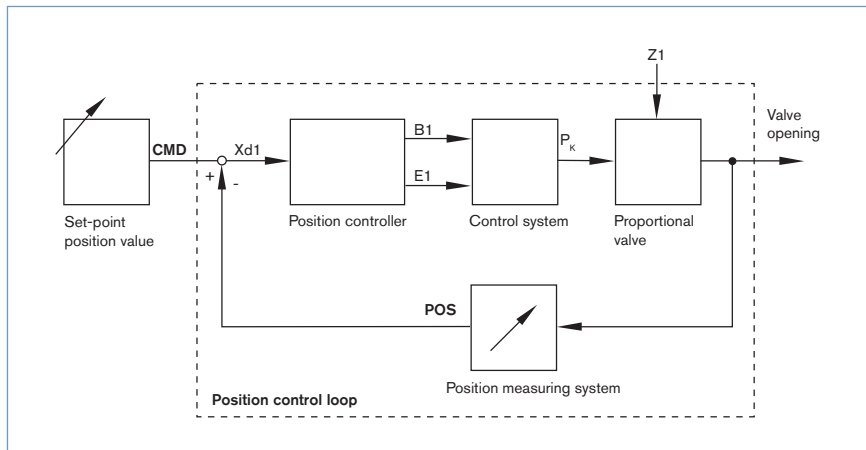
For version without remote version: terminals A, B, +, - not connected

Remote sensor Type 8798

Terminal	Wire colour for cable type		Configuration	External Circuitry
	1	2		
1	white	black	Supply Sensor -	1 8791 or
2	brown		Supply Sensor +	2 8792 / 8793
3	yellow	orange	Serial Interface, B line	3 8791 or
4	green	red	Serial Interface, A line	4 8792 / 8793

Signal flow plan

Position control loop



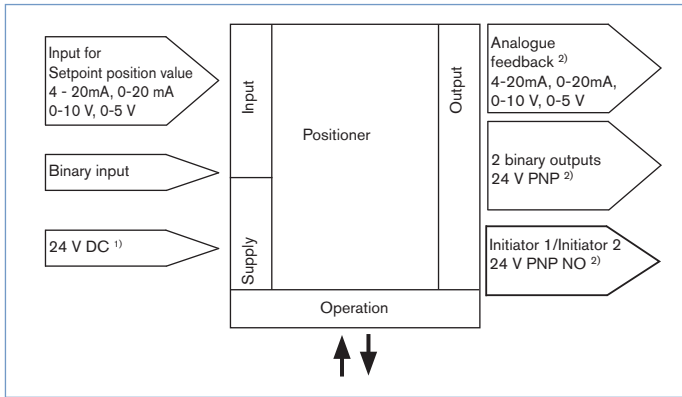
Additional software options of the SideControl positioner Type 8792 (extract)

- Automatic start of the control system
- Automatic or manual characteristics curves selection
- Setting of the seal and the maximum stroke threshold respectively
- Parameterisation of the positioner
- Limitation of the stroke range
- Limitation of the manipulating speed
- Setting of the moving direction
- Configuration of the binary input
- Signal range splitting on several controllers
- Configuration of analogue or 2 binary outputs
- Signal fault detection
- Safety position
- Code protection
- Contrast inversion of the display
- Parametrisable diagnostic functions* / Binary output (option)
 - Operating-hours counter
 - Path accumulator
 - Position monitoring
 - Graphical display of the dwell time density and movement range
 - Monitoring of the mechanical end positions in the armature

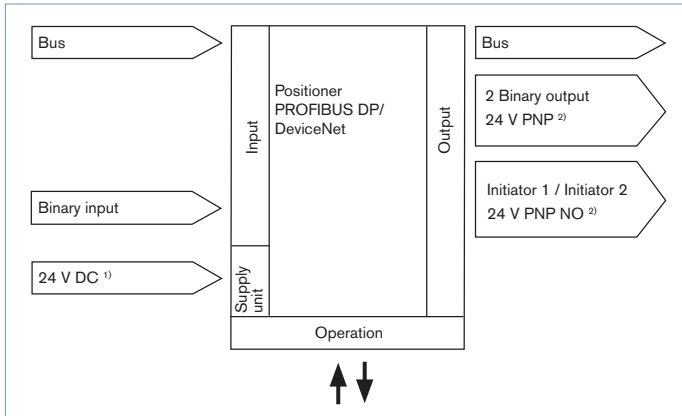
*You will find more diagnostic functions with a detailed description in the operating manual for Type 8792/93

Schematic diagram of SideControl, Type 8792

Without Fieldbus interface



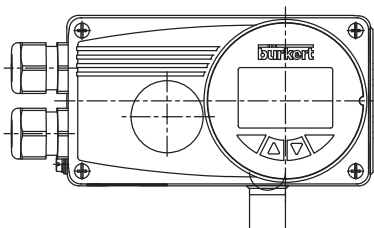
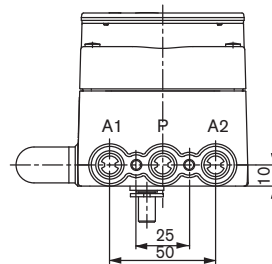
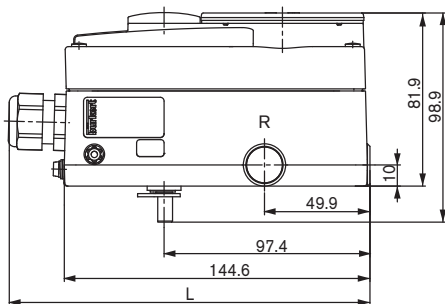
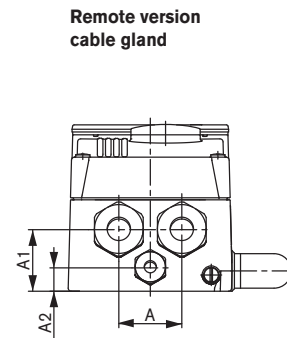
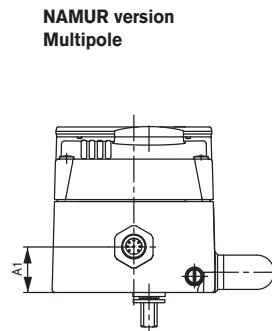
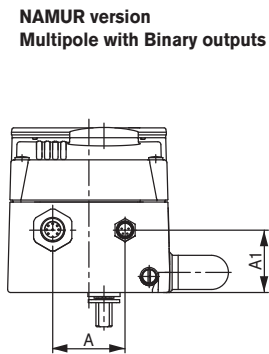
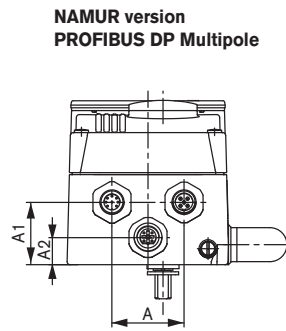
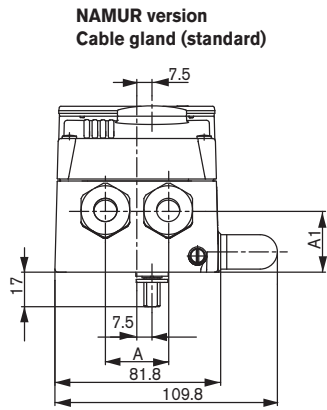
With PROFIBUS DP / DeviceNet



¹⁾ The operating voltage is supplied with a 3-wire unit independent from the setpoint signal

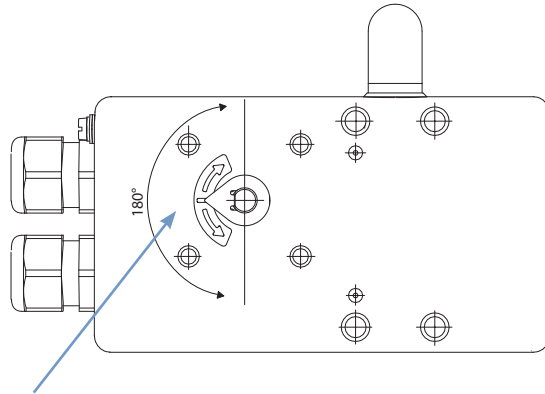
²⁾ Alternative options

Dimensions [mm]



Description	L	A	A1	A2
Standard	171.1	31	30	-
PROFIBUS DP	157.8	36	31	13.5
Multipole Bin. OUT	157.6	36	31	-
Multipole	157.4	-	22.5	-
Remote	171.1	31	30	11.5

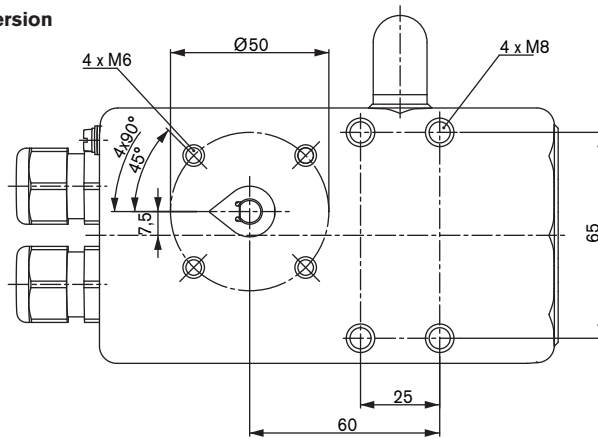
Dimensions [mm], continued



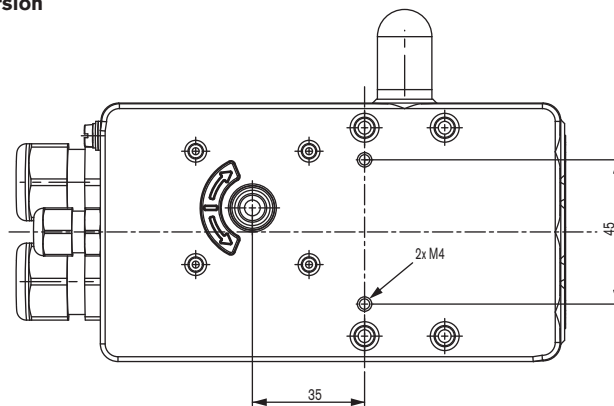
The rotation angle of the sensor must be within a range of 180°

With the valve open approx. 50%, the sensor indicator should be in this position.

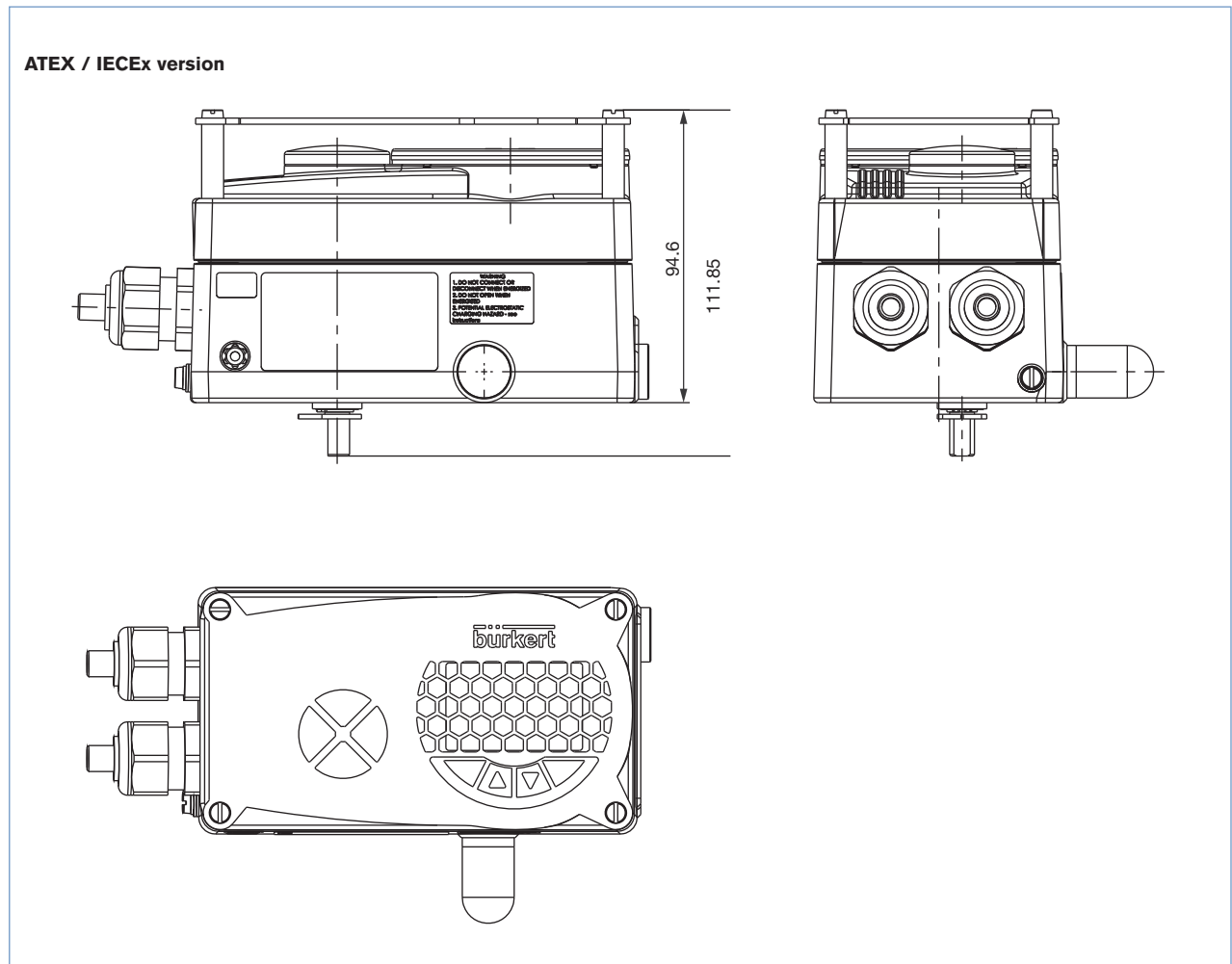
Standard Version



Remote version



Dimensions [mm], continued



To find your nearest Bürkert facility, click on the orange box → www.burkert.com

In case of special application conditions,
please consult for advice

Subject to alterations.
© Christian Bürkert GmbH & Co. KG

1705/15_EU-en_00895119