

APPFT 25kAIC Power Distribution Panelboards

Explosionproof, Dust-Ignitionproof, Watertight

NEC:

Class I, Division 1 and 2, Groups C, D
 Class II, Division 1 and 2, Groups E, F, G
 Class III
 Class I, Zone 1, Group IIB
 NEMA 4, 4X, 7BCD, 9EFG

Applications

- Distribution panelboards are used to furnish protection and control of electrical equipment in hazardous locations. These compact units provide a centrally controlled switching system for large quantities of branch circuits for:
 - Lighting
 - Heating
 - Small motors
 - Similar electrical equipment

Features

- Breaker operators included as standard.
- O-ring gasket insures watertight integrity.
- Factory sealed, no external seals are required for most branch circuits. All conduits must be sealed adjacent to enclosure for Class I, Division 1, Groups C and D.
- Breakers are housed in the panel section and prewired to maximum circuit capacity, then wired to numbered terminals in the wiring compartment.
- Terminal compartment is interconnected to panel section with sealing hubs, unions and poured with sealing compound.
- Permits selection of 1-, 2- or 3-pole breakers.
- Precision machined flame path between body and cover.
- Bolt on stainless steel slotted mounting feet.
- Breaker operators can be padlocked in the ON or OFF position.
- All panelboards are supplied with Cutler-Hammer [†] interiors.
- Chassis assemblies with mains at top (bottom optional).
- Provisions for 12, 18, 24, 30, and 36 circuit 1-pole chassis.
- 100 Amp or 225 Amp main lug.
- Up to 100 Amp backfed main breaker available with main lug chassis.
- Up to 225 Amp main breaker available with main breaker chassis.
- Factory installed ground and neutral bar as standard.

Standard Materials

- Bodies and covers: copperfree (4/10 of 1% max.) aluminum
- Cover bolts: Quad-Lead[®], captive, stainless steel
- Breaker operators: copperfree (4/10 of 1% max.) aluminum
- Hinges: stainless steel
- Bus bars: copper
- O-ring: neoprene

Standard Finish

- Corrosion resistant gray epoxy powder coat to provide NEMA 4X rating

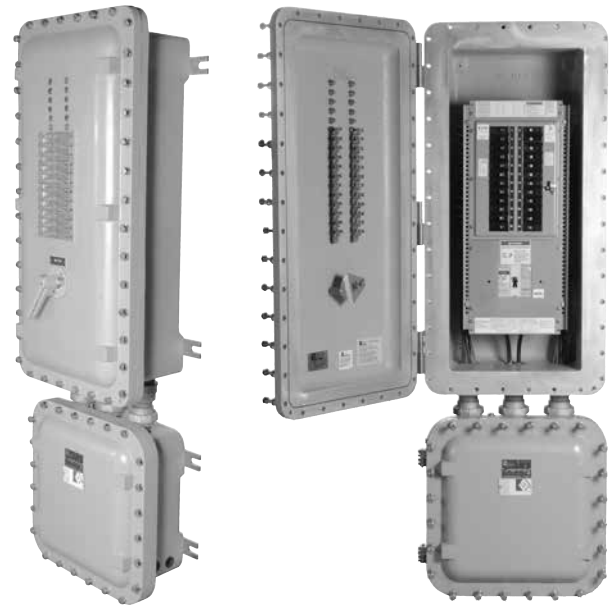
Options

Must be listed in alphanumeric sequence at the end of the catalog number.

- Panel Options
 - Breather, NEMA 4X add suffix —**BR**.
 - Drain, NEMA 4X add suffix —**DN**.
 - External ground stud add suffix — **EGS**.
 - Grounding neutral lug add suffix — **GNL**.
 - Terminal breaker located at bottom, add suffix —**INV**.
 - Main breaker located at bottom, add suffix —**LB**.
 - Phenolic nameplate (specify legend) add suffix —**NP**.
 - For 50 °C (122 °F) breaker rating, add suffix —**V**.
 - For stainless steel terminal enclosure for Division 2 applications only, contact your local sales representative.

[†] Cutler-Hammer is a trademark of the Eaton Corporation.

① GFI Push-to-Test Buttons are standard with GFI or EPD options.



- Main Breaker Options
 - Auxiliary switch (1NO or 1NC) add suffix —**AS1**.
 - Auxiliary switch (2NO or 2NC) add suffix —**AS2**.
 - Shunt trip (specify voltage) add suffix —**ST**.
 - Under voltage release (specify voltage) add suffix —**UV**.
- Branch Breaker Options APPF GHB Only
 - Equipment Protection Devices (1- or 2-Pole -30 mA sensitivity) ① add suffix —**EPD**.
- Branch Breaker Options APPF F-Frame Only
 - Auxiliary switch (1NO or 1NC) add suffix —**AS1**.
 - Auxiliary switch (2NO or 2NC) add suffix —**AS2**.
 - Shunt trip (specify voltage) add suffix —**ST**.
 - Under voltage release (specify voltage) add suffix —**UV**.

NEC Certifications and Compliances

- UL Standard: UL 1203
- UL Classified: E84577

APPFT 25kAIC Power Distribution Panelboards

Explosionproof, Dust-Ignitionproof, Watertight

NEC:
 Class I, Division 1 and 2, Groups C, D
 Class II, Division 1 and 2, Groups E, F, G
 Class III
 Class I, Zone 1, Group IIB
 NEMA 4, 4X, 7BCD, 9EFG

Select branch breakers as desired in panel. First and second digits are the quantity of breakers, third and fourth digits are ampere rating, the fifth digit is number of poles. Example: An 18-circuit 277/480 V 3-phase 100 A MLO panel with 12 1-pole 20 Amp and 3 2-pole 30 Amp branch breakers should read APPFTP14C18ML100-12201-03302.

Catalog Numbering Guide

APPFT	R	1	4	C	18	ML	100	12	20	1	▲
Appleton Factory Sealed 25kAIC Power Panel			Voltage: 3 - 480 4 - 277/480 7 - 24 Vdc 8 - 125/250 Vdc			Main Type: MB - Main Breaker ML - Main Lug Only			Ampere Rating ①: 10 - 10AT 15 - 15AT 20 - 20AT 25 - 25AT 30 - 30AT 35 - 35AT 40 - 40AT 45 - 45AT 50 - 50AT 60 - 60AT 70 - 70AT 80 - 80AT 90 - 90AT 100 - 100AT 110 - 110AT (2-, 3-Pole Only) 125 - 125AT (2-, 3-Pole Only) 150 - 150AT (2-, 3-Pole Only) 175 - 175AT (2-, 3-Pole Only) 200 - 200AT (2-, 3-Pole Only)		Suffix for Other Options/ Features: Must be listed in alphanumeric sequence (See Options)
	Panel Size: R - 24 Circuit with Main Breaker or 36 Circuit without Main Breaker			Wire System: B - 3P, 3W C - 3P, 4W D - 2P, 2W for 24 Vdc			Ampere Rating: 020 - 20AT 025 - 25AT 030 - 30AT 040 - 40AT 050 - 50AT 060 - 60AT 070 - 70AT 080 - 80AT 090 - 90AT 100 - 100AT 110 - 110AT 125 - 125AT 150 - 150AT 175 - 175AT 200 - 200AT 225 - 225AT		No. of Poles: (include only if different from wiring system)		
		Current Rating: 1 - 100 Amp 2 - 225 Amp			Number of Circuits: 12 18 24 30 36			Quantity of Branch Breakers ①: 1 thru 42			Additional Branch Breakers: Repeat Step ①

① EPD Single Phase (requires 2-Poles) 277 Vac, 30 mA.

APPFT 25kAIC Power Distribution Panelboards

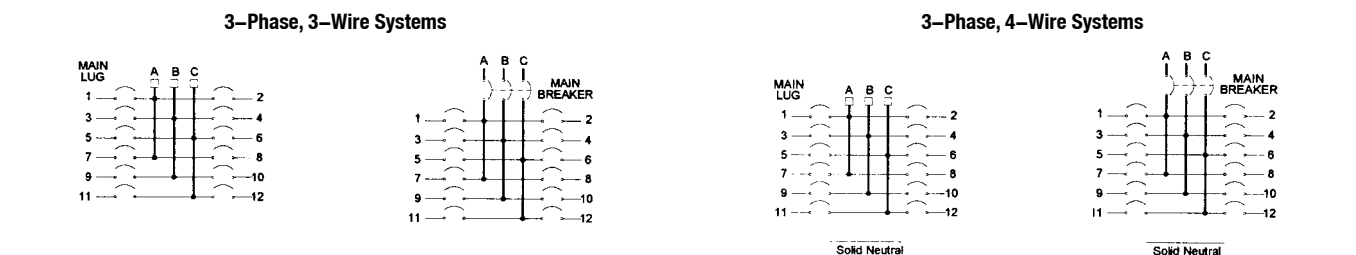
Explosionproof, Dust-Ignitionproof, Watertight

NEC:
 Class I, Division 1 and 2, Groups C, D
 Class II, Division 1 and 2, Groups E, F, G
 Class III
 Class I, Zone 1, Group IIB
 NEMA 4, 4X, 7BCD, 9EFG

	Number of Circuits	480 V 3-Phase 3-Wire EHD Type	277/480 V 3-Phase 4-Wire EHD Type	600 V 3-Phase 4-Wire FDB Type
100 Amp Main Lug Only	12	APPFTR13B12ML ▲	APPFTR14C12ML ▲	APPFTR16C12ML ▲
	18	APPFTR13B18ML ▲	APPFTR14C18ML ▲	APPFTR16C18ML ▲
	24	APPFTR13B24ML ▲	APPFTR14C24ML ▲	APPFTR16C24ML ▲
	30	APPFTR13B30ML ▲	APPFTR14C30ML ▲	APPFTR16C30ML ▲
225 Amp Main Lug Only	18	APPFTR23B18ML ▲	APPFTR24C18ML ▲	APPFTR26C18ML ▲
	24	APPFTR23B24ML ▲	APPFTR24C24ML ▲	APPFTR26C24ML ▲
	30	APPFTR23B30ML ▲	APPFTR24C30ML ▲	APPFTR26C30ML ▲
	36	APPFTR23B36ML ▲	APPFTR24C36ML ▲	APPFTR26C36ML ▲
Main Breaker 100 Amp F	12	APPFTR13B12MB100 ▲	APPFTR14C12MB100 ▲	APPFTR16C12MB100 ▲
	18	APPFTR13B18MB100 ▲	APPFTR14C18MB100 ▲	APPFTR16C18MB100 ▲
	24	APPFTR13B24MB100 ▲	APPFTR14C24MB100 ▲	APPFTR16C24MB100 ▲
	30	APPFTR13B30MB100 ▲	APPFTR14C30MB100 ▲	APPFTR16C30MB100 ▲
Main Breaker 225 Amp F	18	APPFTR23B18MB225 ▲	APPFTR24C18MB225 ▲	APPFTR26C18MB225 ▲
	24	APPFTR23B24MB225 ▲	APPFTR24C24MB225 ▲	APPFTR26C24MB225 ▲

Note: For Back Fed main, replace **ML**, **MB100**, or **MB225** in part number with **BF**. For 400 Amp Main Lug, contact your local representative. Standard interrupting capacity is 14,000 AIC. For higher interrupt ratings, contact your local representative.

Typical Panelboard Wiring Diagram



▲ Suffix for Other Options/Features: Must be listed in alphanumeric sequence. See Options.

APPFT 25kAIC Power Distribution Panelboards

Explosionproof, Dust-Ignitionproof, Watertight

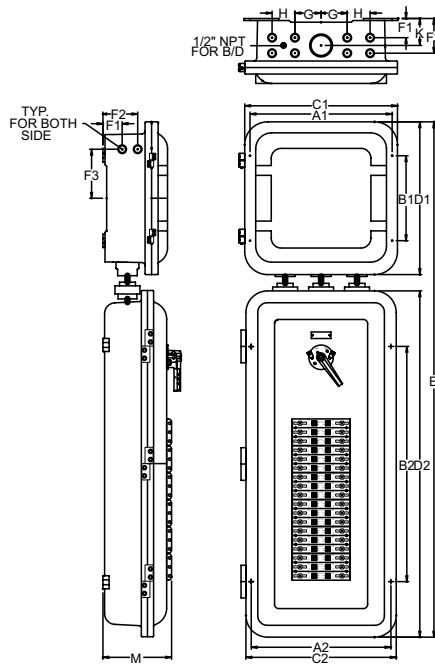
NEC:
 Class I, Division 1 and 2, Groups C, D
 Class II, Division 1 and 2, Groups E, F, G
 Class III
 Class I, Zone 1, Group IIB
 NEMA 4, 4X, 7BCD, 9EFG

DISTRIBUTION EQUIPMENT: NEC/CEC HAZARDOUS LOCATION PANELBOARDS

Panel Size	Sealed Together		Top	Standard Outlets Sides	Mounting Hdw. Set
R	184806	181806/08	(1) 3" and (8) 1" NPT	(4) 1" NPT	CMH8 (2)

Dimensions in Millimeters (Inches)

Panel R



Panel Size	A1	A2	B1	B2	C1	C2	D1	D2	E	F1	F2	F3	G	H	K	M
R	522.5 (21.75)	543.1 (21.38)	330.2 (13.00)	914.4 (36.00)	593.9 (23.38)	584.2 (23.00)	593.9 (23.38)	1346.2 (53.00)	2003.6 (78.88)	74.7 (2.94)	130.3 (5.13)	190.5 (7.50)	101.6 (4.00)	88.9 (3.50)	104.9 (4.13)	266.7 (10.50)