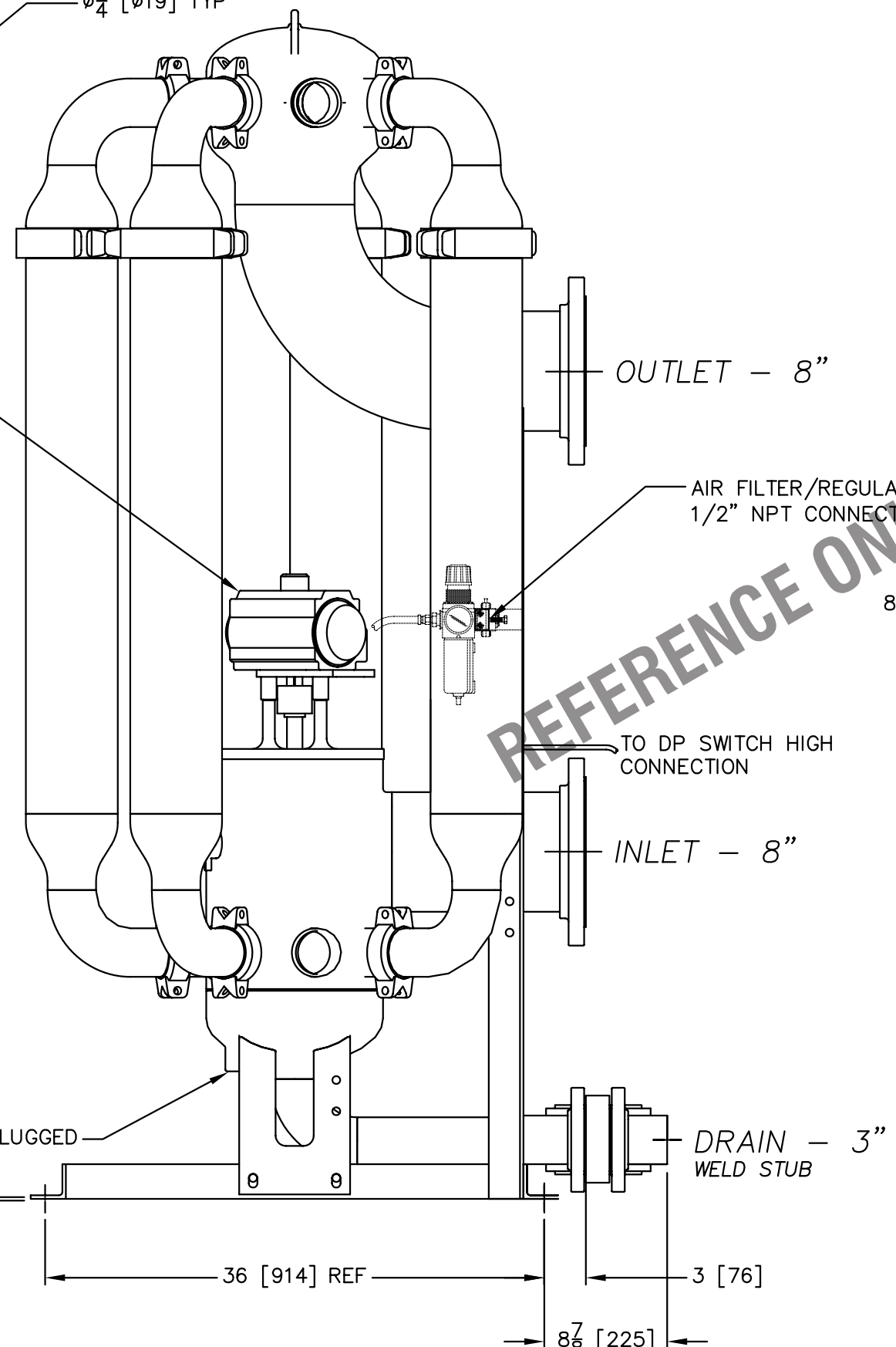
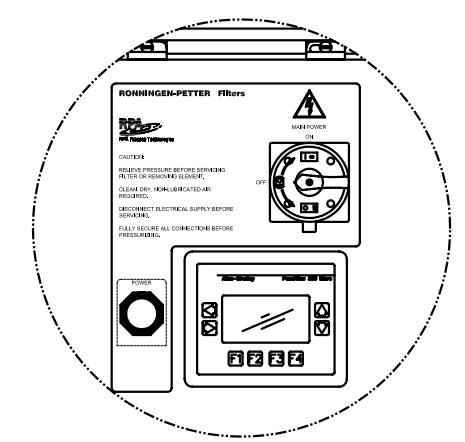
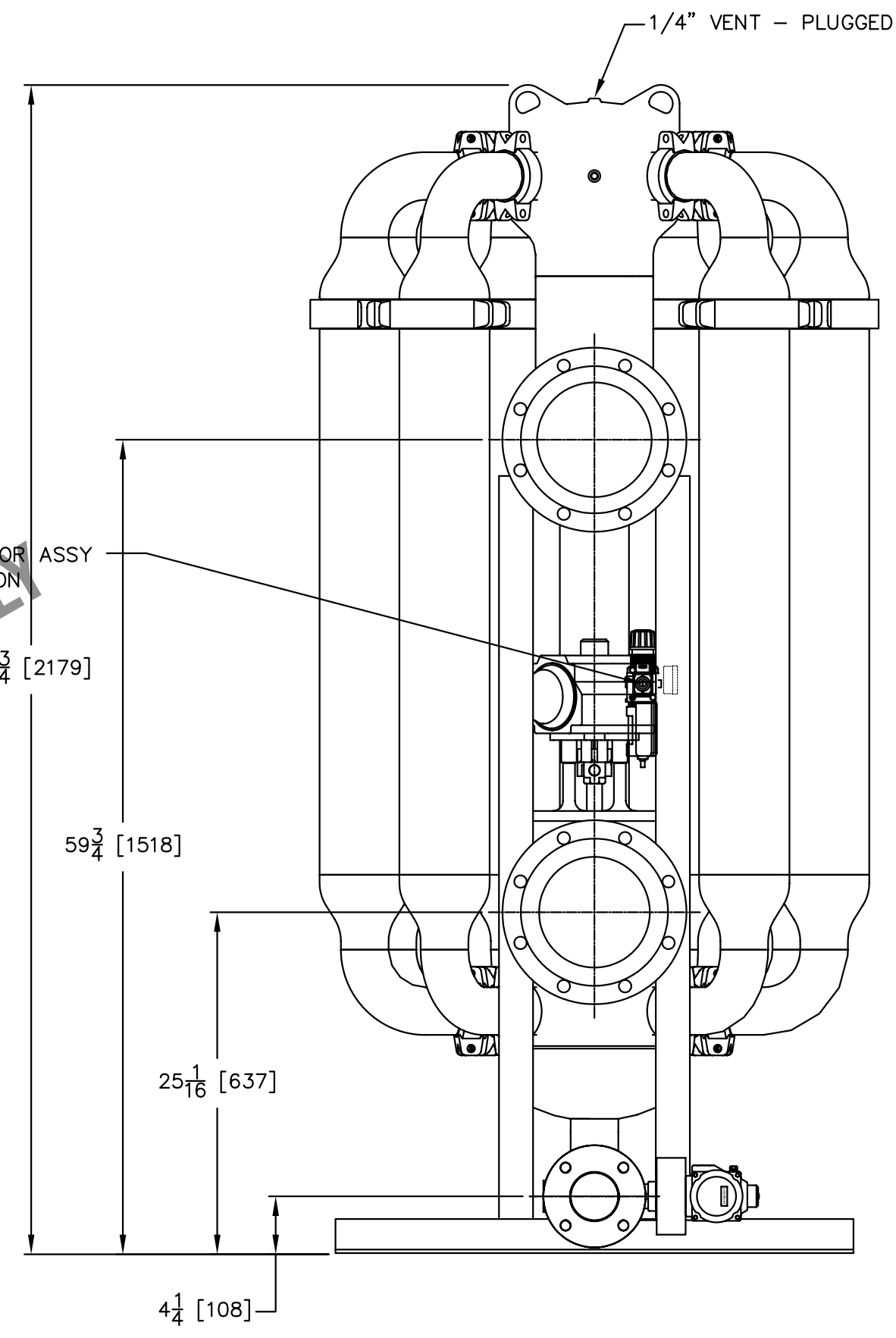


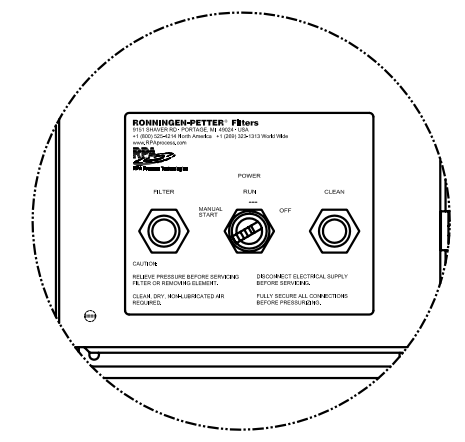
FOUNDATION PLAN VIEW



BODY TUBE HAS BEEN REMOVED FOR CLARITY

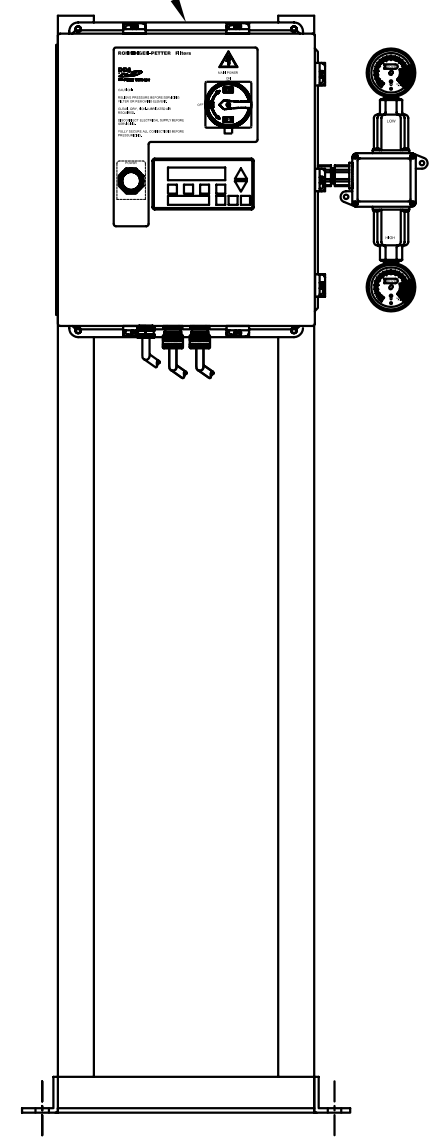


ALLEN-BRADLEY CONTROL PANEL COVER



SEMI-AUTO CONTROL PANEL COVER

SIEMENS CONTROL PANEL COVER SHOWN



REFERENCE ONLY

ENCLOSURE STAND FOUNDATION PLAN

NOTES:

1. PIPING CONNECTIONS:  
INLET/OUTLET ARE 8" ANSI CLASS 150#, RAISED FACE LAP-JOINT FLANGES.  
DRAIN IS 3" ANSI CLASS 150#, RAISED FACE LAP-JOINT FLANGES.  
DIN ND16 STYLE FLANGES ALSO AVAILABLE.
2. VALVE:  
2-WAY BUTTERFLY IS SUPPLIED FOR DRAIN SHUTOFF.
3. GAUGES:  
0-300 PSID (0-20 BAR) RED LINED AT 250 PSI (17 BAR).
4. AUTOMATION:  
PROGRAMMABLE LOGIC CONTROLLER INITIATES BACKWASH CYCLE.
5. MAXIMUM ALLOWABLE WORKING PRESSURE:  
250 PSIG (17 BAR).
6. MAXIMUM TEMPERATURE:  
300°F (149°C).
7. AIR REQUIREMENTS:  
60 PSI (4 BAR) MIN., 120 PSI (8 BAR) MAX. AT 5.0 CFM (140 DM<sup>3</sup>/M)  
CLEAN, DRY, NON-LUBRICATED AIR.

**EATON** EATON FILTRATION, LLC  
RONNINGEN-PETTER PRODUCTS  
9151 SHAWER ROAD  
PORTAGE, MICHIGAN 49024-6798 USA

THIS DRAWING AND ALL INFORMATION THEREON IS THE PROPERTY OF EATON CORPORATION. IT IS CONFIDENTIAL AND MUST NOT BE MADE PUBLIC. THIS DRAWING IS LOANED SUBJECT TO RETURN ON DEMAND, AND IS NOT TO BE USED DIRECTLY OR INDIRECTLY, IN ANY WAY DETRIMENTAL TO THE INTERESTS OF EATON FILTRATION, LLC.

ENGINEERING APPROVAL	DRAWN BY B. STUCK	TITLE AFR INTERNAL BACKWASHING UNIT WITH 6" BODIES
SALES/MKTG APPROVAL	SCALE NONE	DATE 05/19/05
	ENGINEERING SPECIFICATION	SIZE C
		DWG FILENAME AFR-3300-IB-GA002
		REV C