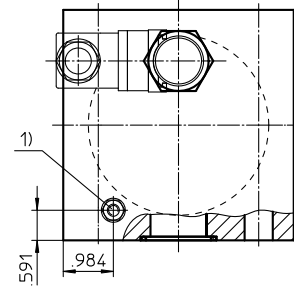


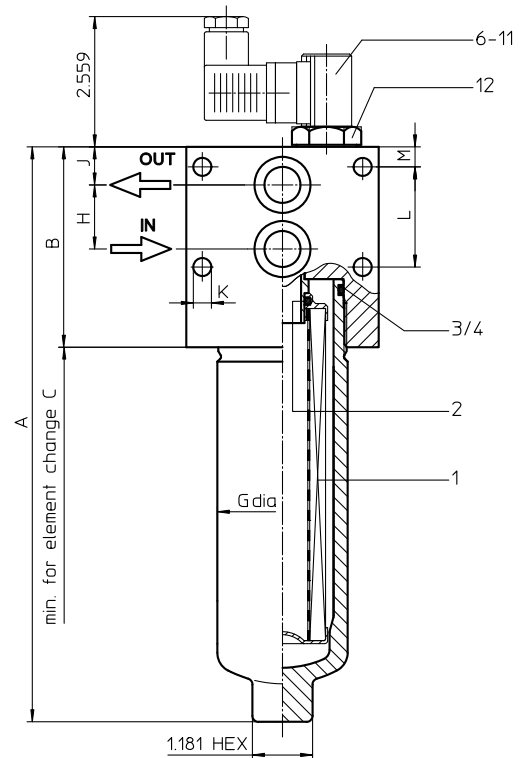
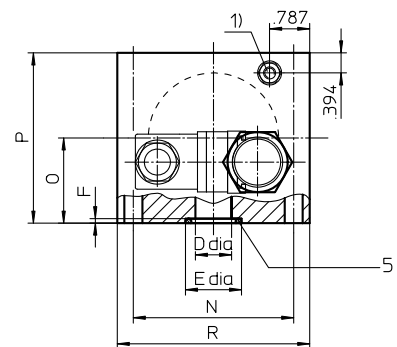
Series HPF 60-450

4568 PSI

HPF170-450



HPF60-150



Dimensions:

type	HPF 60	HPF 90	HPF 150	HPF 170	HPF 240	HPF 360	HPF 450
connection	3/4"	3/4"	3/4"	1"	1"	1"	1"
A	8.58	11.14	15.43	12.99	14.96	18.11	22.24
B	3.78	3.78	3.78	5.51	5.51	5.51	5.51
C	10.63	13.19	17.52	13.78	15.75	18.90	23.03
D	0.71	0.71	0.71	1.10	1.10	1.10	1.10
E	1.10	1.10	1.10	1.50	1.50	1.50	1.50
F	0.09	0.09	0.09	0.07	0.07	0.07	0.07
G	2.55	2.55	2.55	3.54	3.54	3.54	3.54
H	1.26	1.26	1.26	1.73	1.73	1.73	1.73
J	0.75	0.75	0.75	1.10	1.10	1.10	1.10
K	0.35	0.35	0.35	0.55	0.55	0.55	0.55
L	1.97	1.97	1.97	1.73	1.73	1.73	1.73
M	0.39	0.39	0.39	1.10	1.10	1.10	1.10
N	3.15	3.15	3.15	3.15	3.15	3.15	3.15
O	1.67	1.67	1.67	2.26	2.26	2.26	2.26
P	3.35	3.35	3.35	4.52	4.52	4.52	4.52
R	3.78	3.78	3.78	4.52	4.52	4.52	4.52
weight	12.1 lbs.	13.2 lbs.	15.4 lbs.	37.4 lbs.	39.6 lbs.	44.0 lbs.	50.6 lbs.
volume tank	.08 Gal.	.10 Gal.	.16 Gal.	.18 Gal.	.23 Gal.	.31 Gal.	.42 Gal.

1) Connect the stand grounding tab to a suitable earth ground point.

Dimensions: inches

Designs and performance values are subject to change.



Powering Business Worldwide

Pressure Filter

Series HPF 60-450

4568 PSI

Description:

Pressure filter series HPF 60-450 have a working pressure up to 4568 PSI. Pressure peaks can be absorbed with a sufficient safety margin. The HPF-filters are flanged to the mounting-surface.

The filter element consists of star-shaped, pleated filter material, which is supported on the inside by a perforated core tube and is bonded to the end caps with a high-quality adhesive. The flow direction is from outside to inside. Filter elements are available down to 5 $\mu\text{m(c)}$. Finer filtration is available upon request.

Eaton filter elements are known for high intrinsic stability and an excellent filtration capability, a high dirt-retaining capacity and a long service life.

Eaton filter elements are suitable for all petroleum based fluids, HW-emulsions, most synthetic hydraulic fluids and lubrication oils.

Eaton filter elements are available up to a pressure resistance of Δp 2320 PSI and a rupture strength of Δp 3625 PSI.

The internal valve is integrated into the filter head.

After reaching the bypass pressure setting, the bypass valve will send unfiltered partial flow around the filter.

The reversing valve provides another level of protection for the filter element. The reverse flow will not be filtered.

1. Type index:

1.1. Complete filter: (ordering example)

HPF. 90. 10VG. HR. E. P. -, F. 4. -, -, AE

1	2	3	4	5	6	7	8	9	10	11	12
---	---	---	---	---	---	---	---	---	----	----	----

1 series:

HPF = pressure filter, manifold mounted

2 nominal size: 60, 90, 150, 170, 240, 360, 450

3 filter-material and filter-fineness:

80G, 40G, 25G, 10G stainless steel wire mesh
25VG, 16VG, 10VG, 6VG, 3VG glass fiber

4 filter element collapse rating:

30 = Δp 435 PSI
HR = Δp 2320 PSI (rupture strength Δp 3625 PSI)

5 filter element design:

E = single-end open

6 sealing material:

P = Nitrile (NBR)
V = Viton (FPM)

7 filter element specification: (see catalog)

- = standard
VA = stainless steel
IS06 = for HFC applications, see sheet-no. 31601

8 process connection:

F = manifold mounted

9 process connection size:

4 = $\frac{3}{4}$ " (HPF 60-150)
5 = 1" (HPF 170-450)

10 filter housing specification: (see catalog)

- = standard
IS06 = for HFC applications, see sheet no.31605

11 internal valve:

- = without
S1 = with bypass valve Δp 51 PSI
S2 = with bypass valve Δp 102 PSI
R = reversing valve, $Q \leq 18.50$ GPM (HPF 60-150)
reversing valve, $Q \leq 55.75$ GPM (HPF 170-450)

12 clogging indicator or clogging sensor:

- = without
AOR = visual, see sheet-no. 1606
AOC = visual, see sheet-no. 1606
AE = visual-electric, see sheet-no. 1615
VS5 = electronic, see sheet-no. 1619

To add an indicator to your filter, use the corresponding indicator data sheet to find the indicator details and add them to the filter assembly model code.

1.2. Filter element: (ordering example)

01E. 90. 10VG. HR. E. P. -

1	2	3	4	5	6	7
---	---	---	---	---	---	---

1 series:

01E. = filter element according to company standard

2 nominal size: 60, 90, 150, 170, 240, 360, 450

3 - 7 see type index-complete filter

Technical data:

design temperature:	14 °F to +212 °F
operating temperature:	14 °F to +176 °F
operating medium	mineral oil, other media on request
max. operating pressure:	4568 PSI
test pressure:	6525 PSI
process connection:	manifold mounted
housing material:	C-steel
sealing material:	Nitrile (NBR) or Viton (FPM), other materials on request
installation position:	vertical

Classified under the Pressure Equipment Directive 2014/68/EC for mineral oil (fluid group 2), Article 4, Para. 3.
 Classified under ATEX Directive 2014/34/EC according to specific application (see questionnaire sheet-no. 34279-4)

Pressure drop flow curves:

Filter calculation/sizing

The pressure drop of the assembly at a given flow rate Q is the sum of the housing Δp and the element Δp and is calculated as follows:

$$\Delta p_{assembly} = \Delta p_{housing} + \Delta p_{element}$$

$$\Delta p_{housing} = (\text{see } \Delta p = f(Q) \text{ - characteristics})$$

$$\Delta p_{element} (PSI) = Q (GPM) \times \frac{MSK}{1000} \left(\frac{PSI}{GPM} \right) \times \nu (SUS) \times \frac{\rho}{0.876} \left(\frac{kg}{dm^3} \right)$$

For ease of calculation our Filter Selection tool is available online at www.eatonpowersource.com/calculators/filtration/

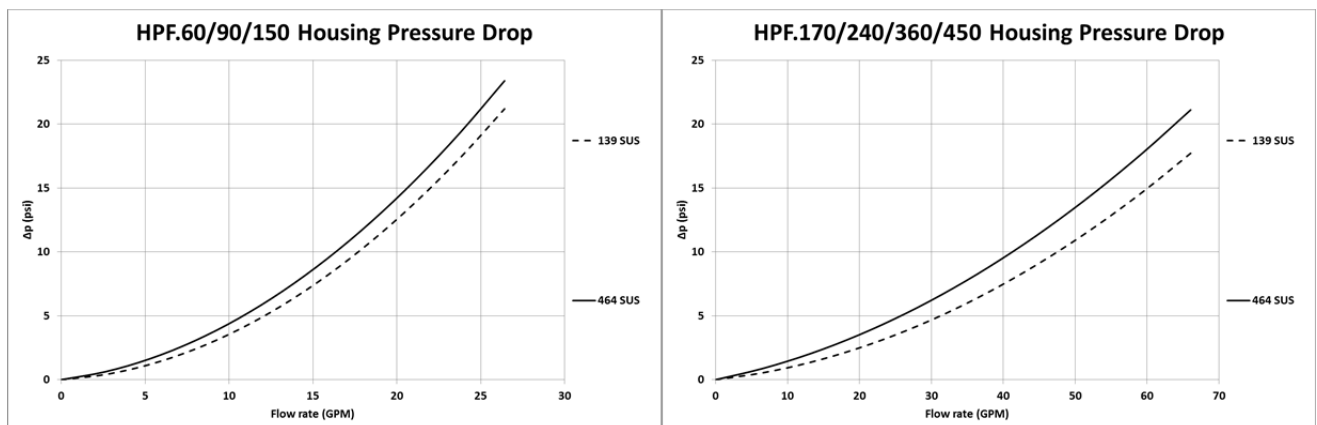
Material gradient coefficients (MSK) for filter elements

The material gradient coefficients in PSI/GPM apply to mineral oil (HLP) with a density of 0.876 kg/dm³ and a kinematic viscosity of 139 SUS (30 mm²/s). The pressure drop changes proportionally to the change in kinematic viscosity and density.

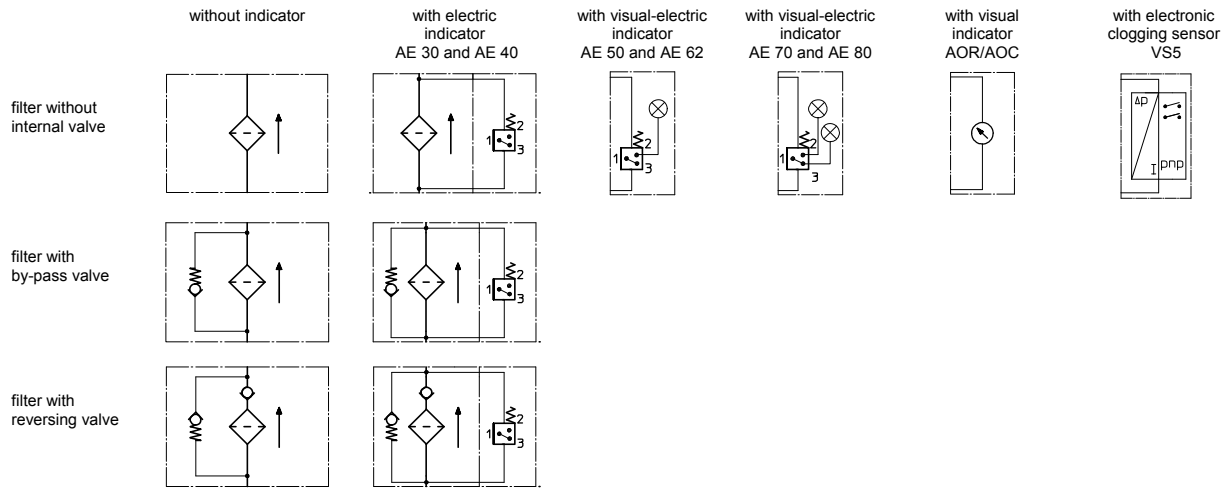
HPF	VG					G		
	3VG	6VG	10VG	16VG	25VG	25G	40G	80G
60	6.748	4.685	2.999	2.577	1.760	0.2002	0.1868	0.1280
90	4.059	2.818	1.804	1.550	1.059	0.1210	0.1130	0.0774
150	2.422	1.681	1.076	0.925	0.632	0.0723	0.0675	0.0462
170	2.714	1.884	1.206	1.036	0.708	0.0839	0.0783	0.0537
240	2.092	1.452	0.930	0.799	0.546	0.0651	0.0607	0.0416
360	1.530	1.062	0.680	0.584	0.399	0.0475	0.0444	0.0304
450	1.126	0.782	0.500	0.430	0.294	0.0349	0.0326	0.0223

$\Delta p = f(Q)$ – characteristics according to ISO 3968

The pressure drop characteristics apply to mineral oil (HLP) with a density of 0.876 kg/dm³. The pressure drop changes proportionally to the density.



Symbols:



Spare parts:

item	qty.	designation	dimension and article-no.	
			HPF 60-150	HPF 170-450
1	1	filter element	01E.60... - 01E.150...	01E.170... - 01E.450...
2	1	O-Ring	22 x 3,5 304341 (NBR) 304392 (FPM)	34 x 3,5 304338 (NBR) 304730 (FPM)
3	1	O-Ring	54 x 3 304657 (NBR) 304720 (FPM)	75 x 3 302215 (NBR) 304729 (FPM)
4	1	support ring	61 x 2,6 x 1 304660	81 x 2,6 x 1 304581
5	2	O-Ring	22 x 3 304387 (NBR) 304931 (FPM)	33,3 x 2,4 304380 (NBR) 314706 (FPM)
6	1	clogging indicator, visual	AOR or AOC see sheet-no. 1606	
7	1	clogging indicator, visual-electric	AE see sheet-no. 1615	
8	1	clogging sensor, electronic	VS5 see sheet-no. 1619	
9	1	O-Ring	15 x 1,5 315357 (NBR) 315427 (FPM)	
10	1	O-Ring	22 x 2 304708 (NBR) 304721 (FPM)	
11	1	O-Ring	14 x 2 304342 (NBR) 304722 (FPM)	
12	1	srew plug	20913-4	309817

item 12 execution only without clogging indicator or clogging sensor

Test methods:

Filter elements are tested according to the following ISO standards:

ISO 2941	Verification of collapse/burst resistance
ISO 2942	Verification of fabrication integrity
ISO 2943	Verification of material compatibility with fluids
ISO 3723	Method for end load test
ISO 3724	Verification of flow fatigue characteristics
ISO 3968	Evaluation of pressure drop versus flow characteristics
ISO 16889	Multi-pass method for evaluating filtration performance

North America

44 Apple Street
Tinton Falls, NJ 07724
Toll Free: 800 656-3344
(North America only)
Tel: +1 732 212-4700

Europe/Africa/Middle East

Auf der Heide 2
53947 Nettersheim, Germany
Tel: +49 2486 809-0

Friedensstraße 41
68804 Altlußheim, Germany
Tel: +49 6205 2094-0

An den Nahewiesen 24
55450 Langenlonsheim, Germany
Tel: +49 6704 204-0

China

No. 3, Lane 280,
Linhong Road
Changning District, 200335
Shanghai, P.R. China
Tel: +86 21 5200-0099

Singapore

4 Loyang Lane #04-01/02
Singapore 508914
Tel: +65 6825-1668

Brazil

Av. Julia Gaioli, 474 – Bonsucesso
07251-500 – Guarulhos, Brazil
Tel: +55 11 2465-8822

For more information, please

email us at filtration@eaton.com
or visit www.eaton.com/filtration

© 2015 Eaton. All rights reserved. All trademarks and registered trademarks are the property of their respective owners. All information and recommendations appearing in this brochure concerning the use of products described herein are based on tests believed to be reliable. However, it is the user's responsibility to determine the suitability for his own use of such products. Since the actual use by others is beyond our control, no guarantee, expressed or implied, is made by Eaton as to the effects of such use or the results to be obtained. Eaton assumes no liability arising out of the use by others of such products. Nor is the information herein to be construed as absolutely complete, since additional information may be necessary or desirable when particular or exceptional conditions or circumstances exist or because of applicable laws or government regulations.