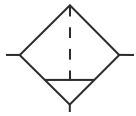


# Particulate Filter F18

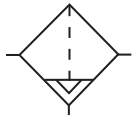
= "Most Popular"

**B**

Filters, Regulators, Lubricators



Manual Drain



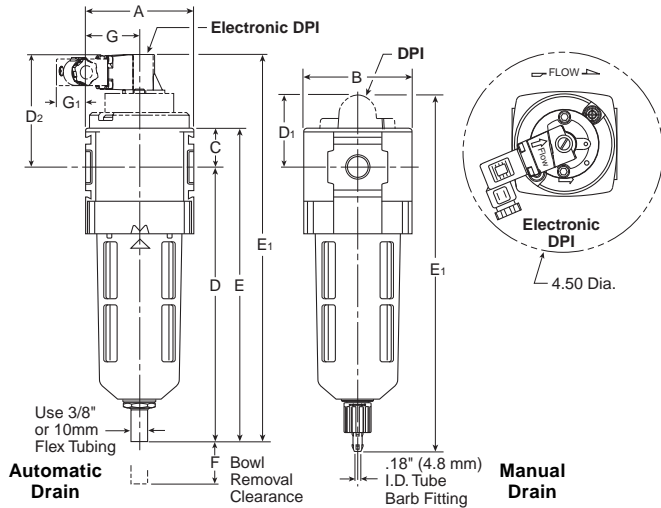
Auto Drain



**F18-02-SK00**

## Features

- Standard 5 Micron Filtration
- High Flow Capacities
- 1/2" NPT / BSPP-G Over-port
- Quick-disconnect Bowl
- Bowl Guard
- Light Weight
- Barbed Manual Drain Connection with Pipe-away



## Specifications

Flow Capacity*	1/4	110 SCFM (51.9 dm <sup>3</sup> /s)
	3/8	120 SCFM (56.6 dm <sup>3</sup> /s)
	1/2	145 SCFM (68.4 dm <sup>3</sup> /s)
Maximum Supply Pressure	Plastic Bowl	150 PSIG (10.3 bar)
	Metal Bowl	250 PSIG (17.2 bar)
Operating Temperature	Plastic Bowl	-13° to 125°F (-25° to 52°C)
	Metal Bowl	-13° to 150°F (-25° to 65.5°C)
Port Size	NPT / BSPP-G	1/4, 3/8, 1/2
Bowl Capacity	1.72 oz	
Standard Filtration	5 Micron	
Weight	1.08 lb. (0.5 kg)	

\* Inlet pressure 150 PSIG (10.3 bar). Pressure drop 5 PSID (0.3 bar).

"F" Series Filters, Type "A" 5 micron elements: All Wilkerson Type "A" 5 micron elements meet or exceed ISO Class 3 for maximum particle size and concentration of solid contaminants.

## Materials of Construction

Body	Zinc	
Body Cap	ABS	
Bowls	Plastic Bowl	Polycarbonate
	Metal Bowl	Aluminum
Bowl Guard	Nylon	
Deflector	Polypropylene	
Element Retainer / Baffle	Acetal	
Filter Element	Sintered Polyethylene	
Seals	Plastic Bowl	Nitrile
	Metal Bowl	Nitrile
Sight Gauge	Metal Bowl	Polyamide (Nylon)

## Dimensions

Models	Inches (mm)	A	B	C	D	D <sub>1</sub>	D <sub>2</sub>	E	E <sub>1</sub>	F	G	G <sub>1</sub>
Standard Unit F18-XX-SK00		2.36 (60)	2.36 (60)	1.02 (26)	6.40 (163)	—	—	7.36 (187)	—	1.61 (41)	1.18 (30)	—
Automatic Drain F18-XX-SG00		2.36 (60)	2.36 (60)	1.02 (26)	5.98 (152)	—	—	7.13 (181)	—	1.61 (41)	1.18 (30)	—
Differential Pressure Indicator		2.36 (60)	2.36 (60)	1.02 (26)	6.40 (163)	1.90 (48)	—	7.36 (187)	8.23 (209)	1.61 (41)	1.18 (30)	—
Electronic Differential Pressure Indicator		2.36 (60)	2.36 (60)	1.02 (26)	6.40 (163)	—	2.69 (68)	7.36 (187)	9.05 (230)	1.61 (41)	1.18 (30)	.69 (18)
Metal Bowl with Sight Gauge / Automatic Drain		2.36 (60)	2.7 (69)	1.02 (26)	6.00 (152)	—	—	7.13 (181)	—	1.61 (41)	1.18 (30)	—
Metal Bowl with Sight Gauge / Manual Drain		2.36 (60)	2.7 (69)	1.02 (26)	6.40 (163)	—	—	7.36 (187)	—	1.61 (41)	1.18 (30)	—

= "Most Popular"

### Replacement Bowl Kits

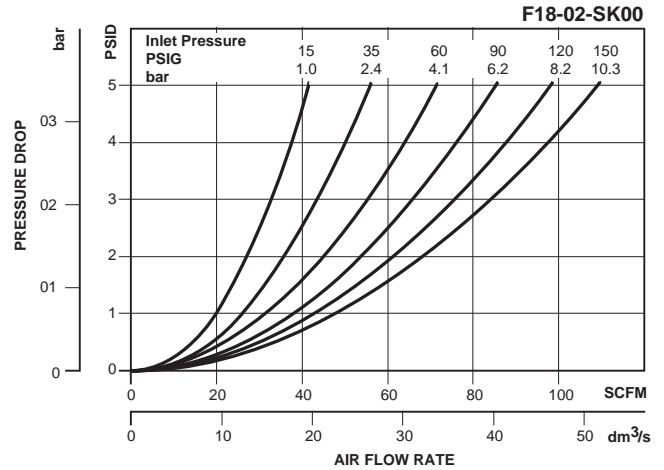
- Metal Bowl with Sight Gauge,  
Automatic Float Drain..... GRP-96-637
- Metal Bowl with Sight Gauge, Manual Drain..... GRP-96-636
- Plastic Bowl –  
Bowl Guard, Auto Drain ..... GRP-96-635
- Bowl Guard, Manual Drain ..... GRP-96-634
- Bowl Guard, Closed Bottom..... GRP-96-638

### Replacement Element Kits

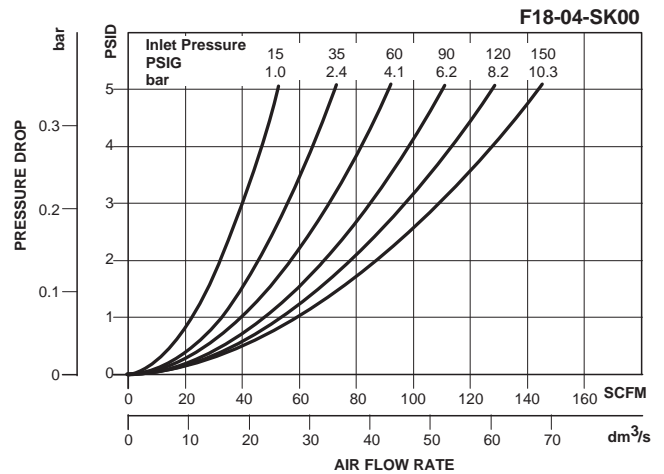
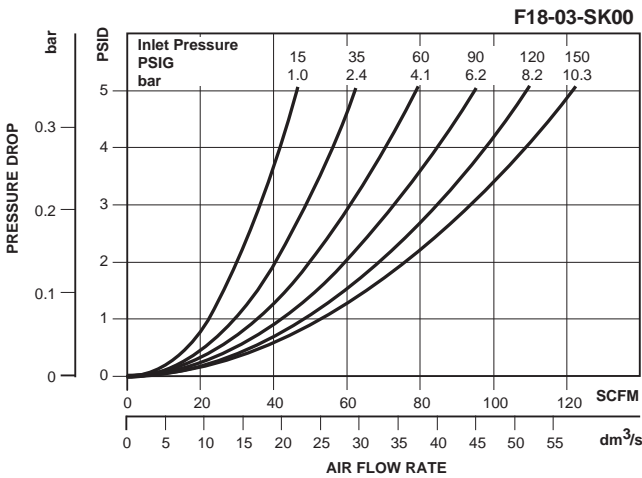
- Type "A", 5 Micron Element only ..... FRP-96-639
- Type "A", 5 Micron with Retainer, Deflector,  
and Bowl O-ring ..... FRP-96-641

### Accessories

- Automatic Drain –  
Fluorocarbon ..... GRP-95-981
- Nitrile ..... GRP-95-973
- DPI Replacement Kit..... DP8-01-000
- Electronic DPI Conversion Kit..... GRP-96-823  
(Converts visual DPI to electronic DPI)
- Electronic DPI Replacement Kit ..... GRP-96-824
- Manual Drain..... GRP-96-685
- Sight Gauge Kit..... GRP-96-825
- Wall Mounting Bracket –  
L-Type ..... GPA-96-604
- T-Type ..... GPA-96-602



**B**  
Filters, Regulators, Lubricators



### Ordering Information

Model Type	Port Size	Plastic Bowl / Bowl Guard	Metal Bowl / Sight Gauge	Plastic Bowl / Bowl Guard with Differential Pressure Indicator
Manual Drain	1/4	F18-02-SK00	F18-02-SL00	F18-02-SKL0
	3/8	F18-03-SK00	F18-03-SL00	F18-03-SKL0
	1/2	F18-04-SK00	F18-04-SL00	F18-04-SKL0
Automatic Drain	1/4	F18-02-SG00	F18-02-SH00	F18-02-SGL0
	3/8	F18-03-SG00	F18-03-SH00	F18-03-SGL0
	1/2	F18-04-SG00	F18-04-SH00	F18-04-SGL0

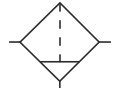
**Options** - To order an option supplied with the unit model, add the appropriate coded suffix letter in the designated position of the model number.

# Particulate Filter F16

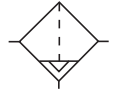
= "Most Popular"

**B**

Filters, Regulators, Lubricators



Manual Drain



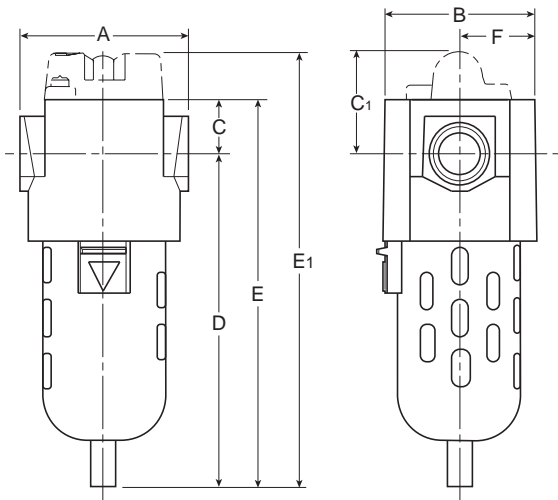
Auto Drain



**F16-02-000**

## Features

- Manual Drain
- 5 Micron Rated Element
- Quick-disconnect Bowl Guard with Integral Plastic Bowl and Safety Latch



## Specifications

Flow Capacity*	1/4	63.0 SCFM (29.7 dm <sup>3</sup> /s)
	3/8	74.1 SCFM (34.9 dm <sup>3</sup> /s)
	1/2	80.4 SCFM (37.9 dm <sup>3</sup> /s)
Maximum Supply Pressure	Plastic Bowl	150 PSIG (10.3 bar)
	Metal Bowl	200 PSIG (13.8 bar)
Operating Temperature	Plastic Bowl	32° to 125°F (0° to 52°C)
	Metal Bowl	32° to 150°F (0° to 65.5°C)
Port Size	NPT / BSPP-G	1/4, 3/8, 1/2
Bowl Capacity	2.7 oz	
Standard Filtration	5 Micron	
Weight	1.8 lb. (0.8 kg)	

\* Inlet pressure 150 PSIG (10.3 bar). Pressure drop 5 PSID (0.3 bar).

**"F" Series Filters, Type "A" 5 micron elements:** All Wilkerson Type "A" 5 micron elements **meet or exceed ISO Class 3** for maximum particle size and concentration of solid contaminants.

## Materials of Construction

Baffle	Polypropylene	
Body	Zinc	
Bowls	Plastic Bowl	Polycarbonate
	Metal Bowl	Zinc
Deflector	Polypropylene	
Element Retainer	Acetal	
Filter Element	Polyethylene	
Seals	Plastic Bowl	Nitrile
	Metal Bowl	Fluorocarbon
Sight Gauge	Metal Bowl	Polycarbonate

## Dimensions

Models	Inches (mm)	A	B	C	C <sub>1</sub>	D	E	E <sub>1</sub>	F
Standard Unit F16-XX-000		3.00 (76)	2.60 (66)	1.00 (25.4)	—	5.50 (139.7)	6.50 (165)	—	1.30 (33)
Differential Pressure Indicator F16-XX-D00		3.00 (76)	2.60 (66)	1.00 (25.4)	1.83 (46.5)	5.50 (139.7)	6.50 (165)	7.33 (186)	1.30 (33)
Automatic Drain F16-XX-F00		3.00 (76)	2.60 (66)	1.00 (25.4)	—	5.50 (139.7)	6.64 (168.7)	—	1.30 (33)
Metal Bowl / Metal Bowl with Sight Gauge F16-XX-G00		3.00 (76)	2.60 (66)	1.00 (25.4)	—	5.50 (139.7)	7.09 (180)	—	1.30 (33)

= "Most Popular"

### Replacement Bowl Kits

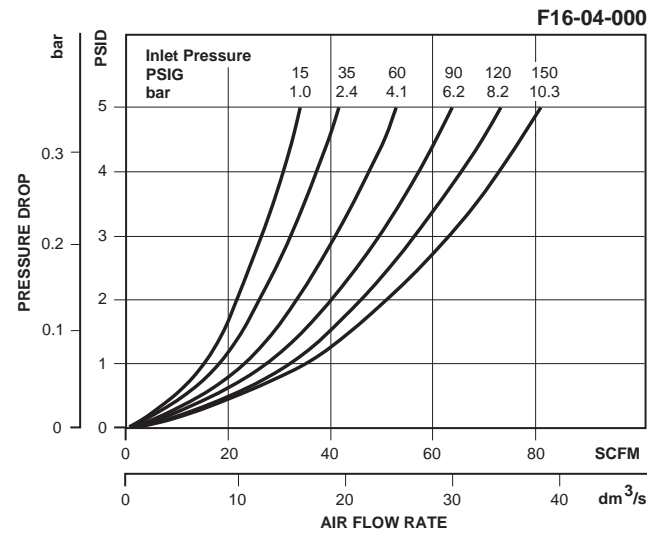
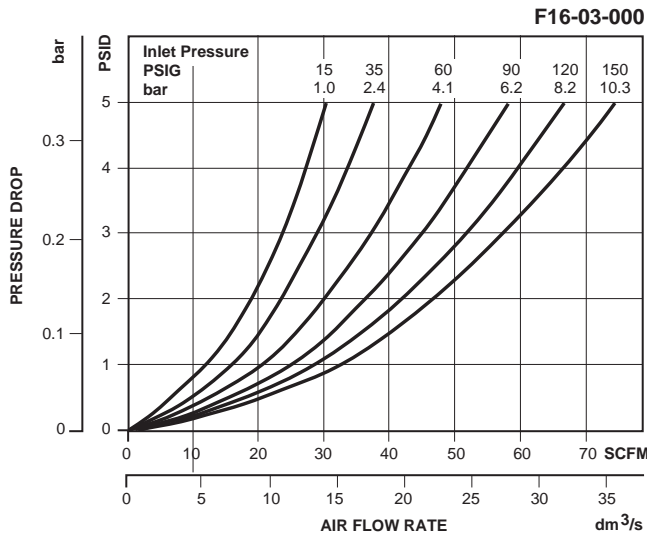
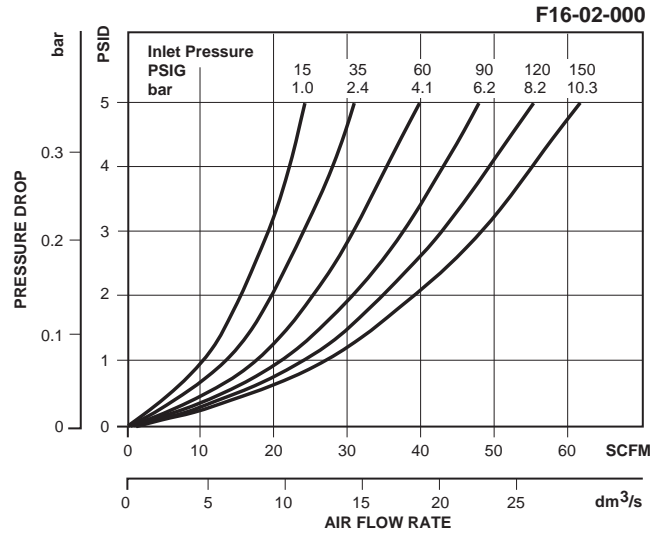
- Metal Bowl –  
 Automatic Drain ..... FRP-95-950  
 Manual Drain ..... FRP-95-178  
 Sight Gauge, Manual Drain ..... GRP-95-133
- Plastic Bowl –  
 Bowl Guard, Automatic Drain ..... FRP-95-015  
 Bowl Guard, Manual Drain ..... FRP-95-014  
 Manual Drain ..... FRP-95-017

### Replacement Element Kits

- Type "A", 5 Micron ..... FRP-95-160

### Accessories

- Automatic Drain, Nitrile ..... GRP-95-973  
 L-Bracket ..... GPA-95-016  
 Manual Drain ..... FRP-95-610  
 Sight Gauge Kit ..... GRP-95-079



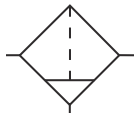
### Ordering Information

Model Type	Port Size	Polycarbonate Bowl / Bowl Guard	Metal Bowl	Metal Bowl / Sight Gauge	Polycarbonate Bowl / Bowl Guard / Differential Pressure Indicator
Manual Drain	1/4	F16-02-000	F16-02-M00	F16-02-G00	F16-02-D00
	3/8	F16-03-000	F16-03-M00	F16-03-G00	F16-03-D00
	1/2	F16-04-000	F16-04-M00	F16-04-G00	F16-04-D00
Automatic Drain	1/4	F16-02-F00	F16-02-FM0	F16-02-FG0	F16-02-DF0
	3/8	F16-03-F00	F16-03-FM0	F16-03-FG0	F16-03-DF0
	1/2	F16-04-F00	F16-04-FM0	F16-04-FG0	F16-04-DF0

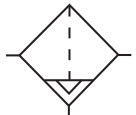
Options - To order an option supplied with the unit model, add the appropriate coded suffix letter in the designated position of the model number.

# Particulate Filter F28

= "Most Popular"



Manual Drain



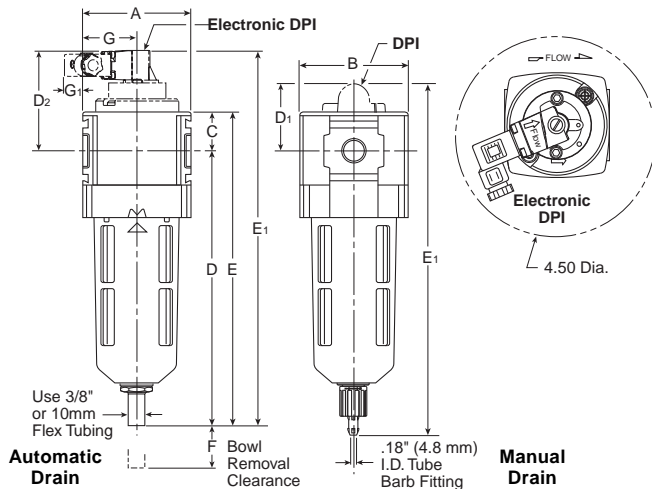
Auto Drain



**F28-03-SG00**

## Features

- Standard 5 Micron Filtration
- High Flow Capacities
- 3/4" NPT / BSPP-G Over-port
- Quick-disconnect Bowl
- Bowl Guard
- Light Weight
- Barbed Manual Drain Connection with Pipe-away



## Specifications

Flow Capacity*	3/8	144 SCFM (68.0 dm <sup>3</sup> /s)
	1/2	160 SCFM (75.5 dm <sup>3</sup> /s)
	3/4	165 SCFM (77.9 dm <sup>3</sup> /s)
Maximum Supply Pressure	Plastic Bowl	150 PSIG (10.3 bar)
	Metal Bowl	250 PSIG (17.2 bar)
Operating Temperature	Plastic Bowl	-13° to 125°F (-25° to 52°C)
	Metal Bowl	-13° to 150°F (-25° to 65.5°C)
Port Size	NPT / BSPP-G	3/8, 1/2, 3/4
Bowl Capacity	2.87 oz	
Standard Filtration	5 Micron	
Weight	1.7 lb. (0.77 kg)	

\* Inlet pressure 150 PSIG (10.3 bar). Pressure drop 5 PSID (0.3 bar).

**"F" Series Filters, Type "A" 5 micron elements:** All Wilkerson Type "A" 5 micron elements **meet or exceed ISO Class 3** for maximum particle size and concentration of solid contaminants.

## Materials of Construction

Body	Aluminum	
Body Cap	ABS	
Bowls	Plastic Bowl	Polycarbonate
	Metal Bowl	Aluminum
Bowl Guard	Nylon	
Deflector	Polypropylene	
Element Retainer / Baffle	Acetal	
Filter Element	Sintered Polyethylene	
Seals	Plastic Bowl	Nitrile
	Metal Bowl	Nitrile
Sight Gauge	Metal Bowl	Polyamide (Nylon)

## Dimensions

Models	Inches (mm)	A	B	C	D	D <sub>1</sub>	D <sub>2</sub>	E	E <sub>1</sub>	F	G	G <sub>1</sub>
Standard Unit F28-XX-SK00		2.90 (73)	2.90 (73)	1.02 (26)	7.40 (188)	—	—	8.40 (213)	—	2.00 (51)	1.42 (36)	—
Automatic Drain F28-XX-SG00		2.90 (73)	2.90 (73)	1.02 (26)	7.00 (178)	—	—	8.16 (207)	—	2.00 (51)	1.42 (36)	—
Differential Pressure Indicator		2.90 (73)	2.90 (73)	1.02 (26)	7.40 (188)	1.90 (48)	—	8.40 (213)	9.25 (235)	2.00 (51)	1.42 (36)	—
Electronic Differential Pressure Indicator		2.90 (73)	2.90 (73)	1.02 (26)	7.40 (188)	—	2.69 (68)	8.40 (213)	10.07 (256)	2.00 (51)	1.42 (36)	.43 (11)
Metal Bowl with Sight Gauge / Automatic Drain		2.90 (73)	3.23 (82)	1.02 (26)	7.00 (178)	—	—	8.16 (207)	—	2.00 (51)	1.42 (36)	—
Metal Bowl with Sight Gauge / Manual Drain		2.90 (73)	3.23 (82)	1.02 (26)	7.40 (188)	—	—	8.40 (213)	—	2.00 (51)	1.42 (36)	—

= "Most Popular"

### Replacement Bowl Kits

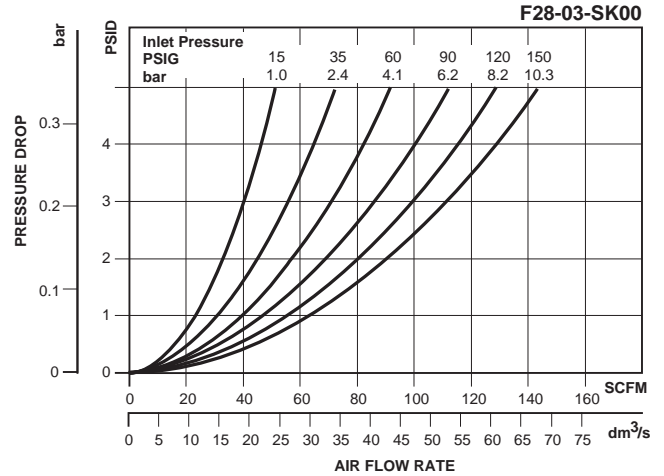
- Metal Bowl with Sight Gauge,  
Automatic Float Drain..... GRP-96-645
- Metal Bowl with Sight Gauge, Manual Drain..... GRP-96-644
- Plastic Bowl –  
Bowl Guard, Auto Drain ..... GRP-96-643
- Bowl Guard, Manual Drain ..... GRP-96-642
- Bowl Guard, Closed Bottom..... GRP-96-652

### Replacement Element Kits

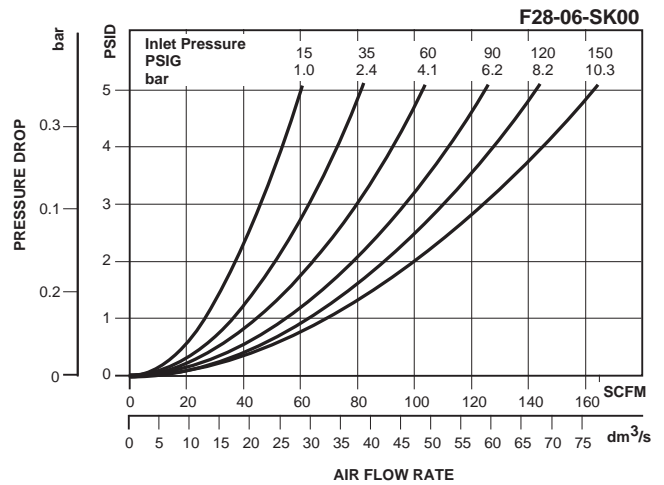
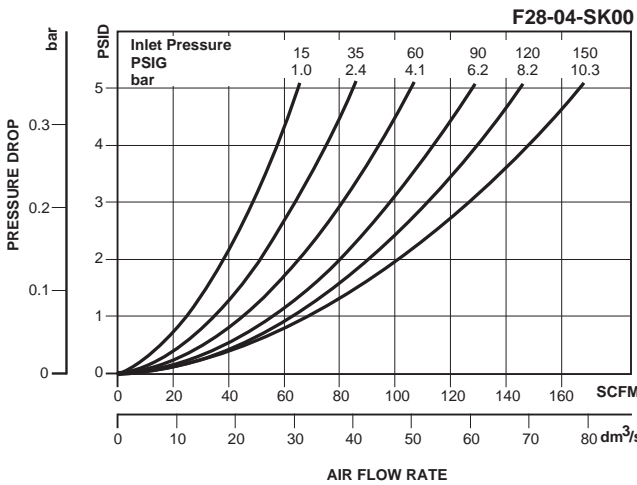
- Type "A", 5 Micron with Element ..... FRP-96-653
- Type "A", 5 Micron with Retainer, Deflector,  
and Bowl O-ring ..... FRP-96-283

### Accessories

- Automatic Drain –  
Fluorocarbon ..... GRP-95-981
- Nitrile ..... GRP-95-973
- DPI Replacement Kit..... DP8-01-000
- Electronic DPI Conversion Kit..... GRP-96-823  
(Converts visual DPI to electronic DPI)
- Electronic DPI Replacement Kit ..... GRP-96-824
- Manual Drain..... GRP-96-685
- Sight Gauge Kit..... GRP-96-825
- Wall Mounting Bracket –  
L-Type ..... GPA-96-605
- T-Type ..... GPA-96-602



**B**  
Filters, Regulators, Lubricators



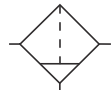
### Ordering Information

Model Type	Port Size	Plastic Bowl / Bowl Guard	Metal Bowl / Sight Gauge	Plastic Bowl / Bowl Guard with Differential Pressure Indicator
Manual Drain	3/8	F28-03-SK00	F28-03-SL00	F28-03-SKL0
	1/2	F28-04-SK00	F28-04-SL00	F28-04-SKL0
	3/4	F28-06-SK00	F28-06-SL00	F28-06-SKL0
Automatic Drain	3/8	F28-03-SG00	F28-03-SH00	F28-03-SGL0
	1/2	F28-04-SG00	F28-04-SH00	F28-04-SGL0
	3/4	F28-06-SG00	F28-06-SH00	F28-06-SGL0

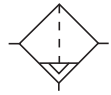
**Options** - To order an option supplied with the unit model, add the appropriate coded suffix letter in the designated position of the model number.

# Particulate Filter F26

= "Most Popular"



Manual Drain



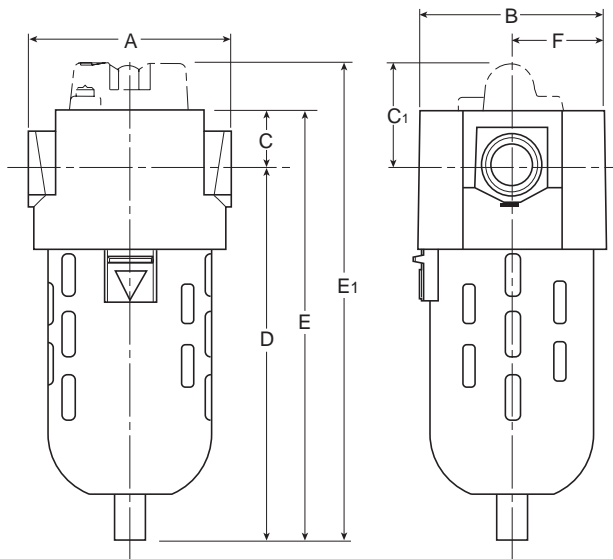
Auto Drain



**F26-02-000**

## Features

- Manual Drain
- 5 Micron Rated Element
- Quick-disconnect Bowl Guard with Integral Plastic Bowl and Safety Latch



## Specifications

Flow Capacity*	1/4	81.3 SCFM (28.3 dm <sup>3</sup> /s)
	3/8	117.8 SCFM (55.5 dm <sup>3</sup> /s)
	1/2	149.8 SCFM (70.6 dm <sup>3</sup> /s)
Maximum Supply Pressure	Plastic Bowl	150 PSIG (10.3 bar)
	Metal Bowl	200 PSIG (13.8 bar)
Operating Temperature	Plastic Bowl	32° to 125°F (0° to 52°C)
	Metal Bowl	32° to 150°F (0° to 65.5°C)
Port Size	NPT / BSPP-G	1/4, 3/8, 1/2
Bowl Capacity	3.2 oz	
Standard Filtration	5 Micron	
Weight	2.9 lb. (1.3 kg)	

\* Inlet pressure 150 PSIG (10.3 bar). Pressure drop 5 PSID (0.3 bar).

**"F" Series Filters, Type "A" 5 micron elements:** All Wilkerson Type "A" 5 micron elements **meet or exceed ISO Class 3** for maximum particle size and concentration of solid contaminants.

## Materials of Construction

Baffle	Acetal	
Body	Zinc	
Bowls	Plastic Bowl	Polycarbonate
	Metal Bowl	Zinc
Deflector	Polypropylene	
Element Retainer	Acetal	
Filter Element	Polyethylene	
Seals	Plastic Bowl	Nitrile
	Metal Bowl	Fluorocarbon
Sight Gauge	Metal Bowl	Polycarbonate

## Dimensions

Models	Inches (mm)	A	B	C	C <sub>1</sub>	D	E	E <sub>1</sub>	F
Standard Unit F26-XX-000		3.30 (84)	3.00 (76)	1.00 (25.4)	—	6.40 (162.6)	7.40 (188)	—	1.50 (38)
Differential Pressure Indicator F26-XX-D00		3.30 (84)	3.00 (76)	1.00 (25.4)	1.83 (46.5)	6.40 (162.6)	7.40 (188)	8.23 (209)	1.50 (38)
Automatic Drain F26-XX-F00		3.30 (84)	3.00 (76)	1.00 (25.4)	—	6.40 (162.6)	7.54 (191.5)	—	1.50 (38)
Metal Bowl / Metal Bowl with Sight Gauge F26-XX-G00		3.30 (84)	3.00 (76)	1.00 (25.4)	—	6.40 (162.6)	7.30 (185)	—	1.50 (38)

= "Most Popular"

### Replacement Bowl Kits

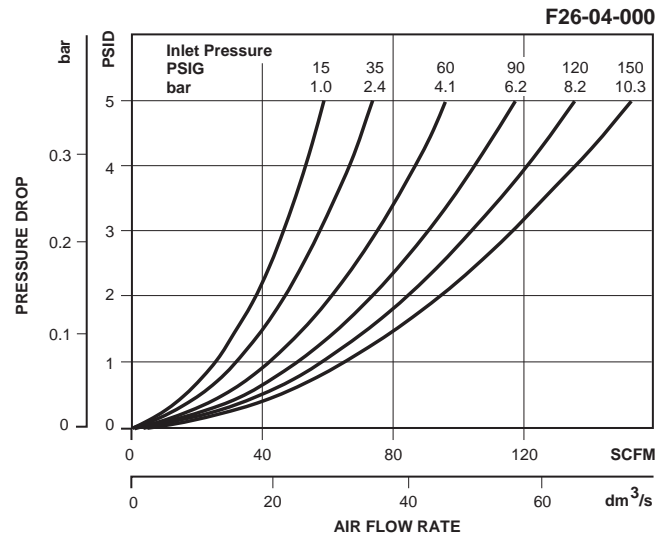
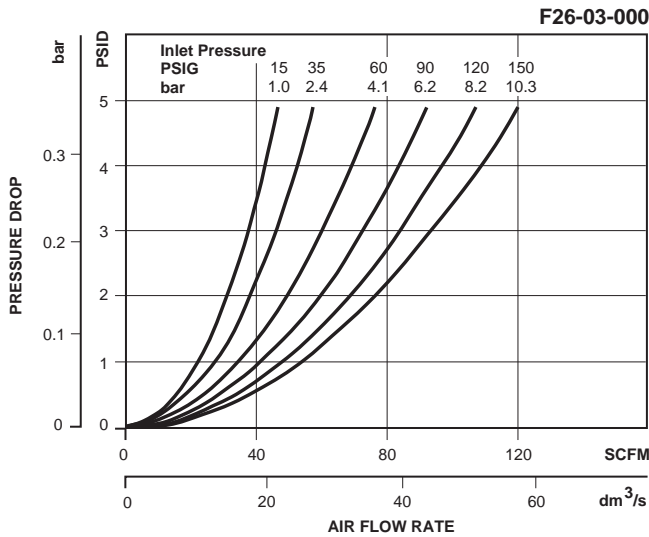
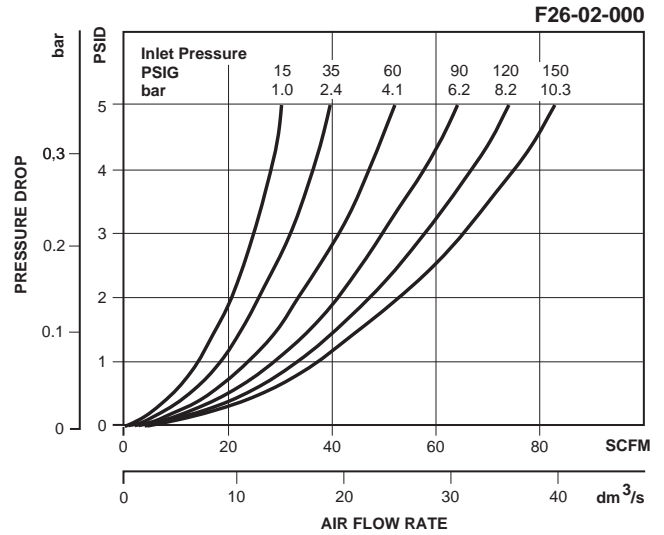
- Metal Bowl –  
 Automatic Drain ..... GRP-95-960  
 Manual Drain ..... GRP-95-930  
 Sight Gauge, Manual Drain ..... GRP-95-931
- Plastic Bowl –  
 Automatic Drain ..... GRP-95-948  
 Bowl Guard, Manual Drain ..... GRP-95-935  
 Manual Drain ..... GRP-95-929

### Replacement Element Kits

- Type "A", 5 Micron ..... FRP-95-115

### Accessories

- Automatic Drain, Nitrile ..... GRP-95-973  
 Manual Drain ..... FRP-95-610  
 Sight Gauge Kit ..... GRP-95-079  
 L-Bracket ..... GPA-95-946



**B**  
Filters, Regulators, Lubricators

### Ordering Information

Model Type	Port Size	Polycarbonate Bowl / Bowl Guard	Metal Bowl	Metal Bowl / Sight Gauge	Polycarbonate Bowl / Bowl Guard / Differential Pressure Indicator
Manual Drain	1/4	F26-02-000	F26-02-M00	F26-02-G00	F26-02-D00
	3/8	F26-03-000	F26-03-M00	F26-03-G00	F26-03-D00
	1/2	F26-04-000	F26-04-M00	F26-04-G00	F26-04-D00
Automatic Drain	1/4	F26-02-F00	F26-02-FM0	F26-02-FG0	F26-02-DF0
	3/8	F26-03-F00	F26-03-FM0	F26-03-FG0	F26-03-DF0
	1/2	F26-04-F00	F26-04-FM0	F26-04-FG0	F26-04-DF0

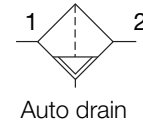
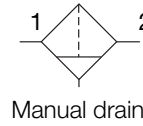
Options - To order an option supplied with the unit model, add the appropriate coded suffix letter in the designated position of the model number.



# Particulate Filter F90

   = "Most Popular"

## Symbols



- Integral 3/4" or 1" ports (NPT & BSPP)
- High efficiency particulate element as standard
- Excellent water removal efficiency
- Robust but lightweight aluminum construction
- Low temperature -40° with combined manual / semi-auto drain as standard



**B**

Filters, Regulators, Lubricators

## Options

<b>F90</b>	-	<b>0</b>	<b>6</b>	-	<b>S</b>	<b>H</b>	<b>0</b>	<b>0</b>
<b>Series</b> Filter <b>F90</b>		<b>Thread type*</b> NPT <b>0</b> BSPP C	<b>Port size</b> 3/4 <b>6</b> 1 8		<b>Element</b> 5 micron <b>S</b>	<b>Bowl / drain type</b>		
						<b>H</b>	Metal bowl / sight gauge & auto drain	
						<b>L</b>	Metal bowl / sight gauge / manual & semi auto drain	

\*Note: For 1-1/2" ported unit, please order P3YKA\*BCP port block kit separately.  
**Bold items are most common.**

## Ordering information

Port size	Description	Flow <sup>‡</sup> scfm	Max. bar (psig)	Min temp °C (°F)	Max temp °C (°F)	Bowl capacity cm <sup>3</sup> (oz)	Height mm (inches)	Width mm (inches)	Depth mm (inches)	Weight kg (lb)	Part number <sup>†</sup>
3/4"	Combined manual / semi auto drain	170	17.5 (254)	-40 (-40)	60 (140)	130 (4.4)	244 (9.6)	90 (3.5)	94 (3.7)	0.9 (1.98)	<b>F90-06-SL00</b>
3/4"	Auto drain	170	17.5 (254)	-10 (14)	60 (140)	130 (4.4)	244 (9.6)	90 (3.5)	94 (3.7)	0.9 (1.98)	F90-06-SH00
1"	Combined manual / semi auto drain	170	17.5 (254)	-40 (-40)	60 (140)	130 (4.4)	244 (9.6)	90 (3.5)	94 (3.7)	0.9 (1.98)	<b>F90-08-SL00</b>
1"	Auto drain	170	17.5 (254)	-10 (14)	60 (140)	130 (4.4)	244 (9.6)	90 (3.5)	94 (3.7)	0.9 (1.98)	F90-08-SH00

<sup>†</sup> Standard part numbers shown in bold. For other models refer to Options chart above.

<sup>‡</sup> Flow with 6.3 bar (91.4 psig) inlet pressure and 0.5 (7.3 psig) pressure drop.

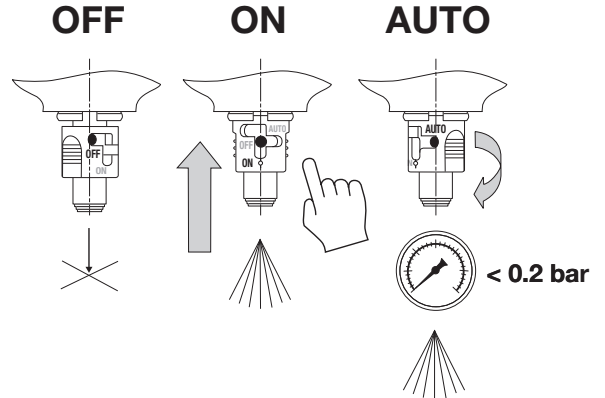
**Specifications**

Fluid	Compressed air
Maximum inlet pressure*	17.5 bar (254 psig)
Temperature range*:	
Auto drain	-10°C to 60°C (14°F to 140°F)
Combined drain	-40°C to 60°C (-40°F to 140°F)
Particle removal	5 micron
Air quality	Within ISO 8573-1: 1991 Class 3 and 5 (particulates) Within ISO 8573-1: 2001 Class 6 and 7 (particulates)
Typical flow 5 micron element 6.3 bar (91.4 psig) inlet pressure and 0.5 bar (7.3 psig) pressure drop	1" port 170 scfm
Manual / semi-auto drain	Closed at 0.8 bar (11.6 psig) G1/8 thread male
Auto drain bowl pressure to close drain	0.8 bar (11.6 psig)
Operating range manual override facility	0.8 bar (11.6 psig) to 17.5 bar (254 psig)
Bowl capacity	130 cm <sup>3</sup> (4.4 US oz)

\* Air supply must be dry enough to avoid ice formation at temperatures below 2°C (35.6°F).

**Material specifications**

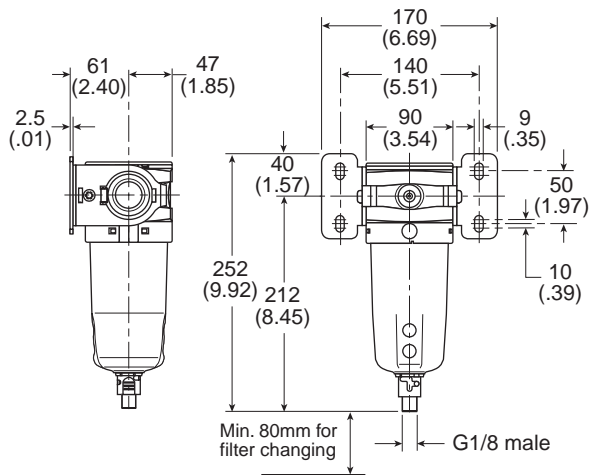
Body	Aluminum
Sight glass	Polypropylene
Body cover	ABS
Element	Sintered P.E.
Seals	Nitrile NBR
Drains	Manual / semi-auto: Acetal Automatic: PA / Ø 10mm brass connection



**B**

Filters, Regulators, Lubricators

**Dimensions mm (inches)**

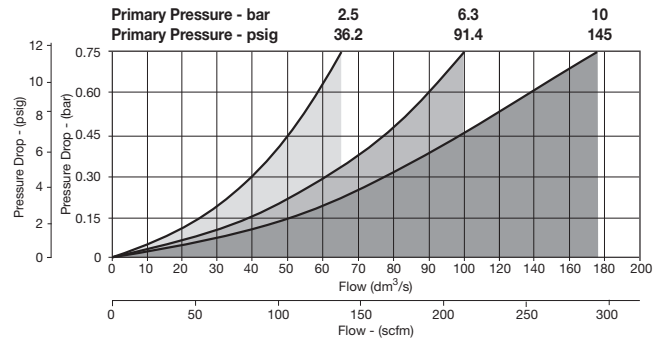


**Service kits**

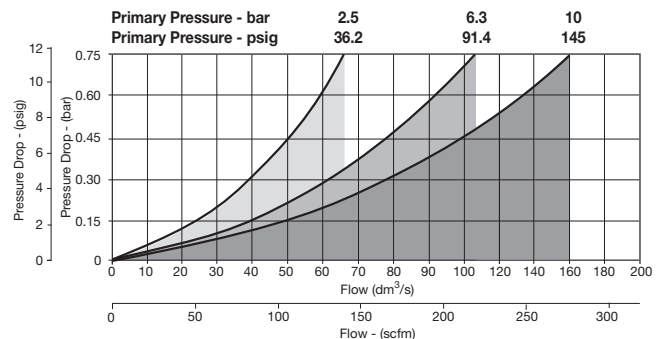
Description	Part number
5 micron element kit	<b>P3YKA00ESE</b>
40 micron element kit	<b>P3YKA00ESG</b>
Bowl kit with combined manual / semi auto drain	<b>P3YKA00BSC</b>
Bowl kit with auto drain	<b>P3YKA00BSA</b>

**Flow characteristics**

**(3/4") Filter**



**(1") Filter**



# Particulate Filter F30

= "Most Popular"

## Specifications

Flow Capacity*	3/4	316 SCFM (149.1 dm <sup>3</sup> /s)
	1	323 SCFM (152.4 dm <sup>3</sup> /s)
Maximum Supply Pressure	Plastic Bowl	150 PSIG (10.3 bar)
	Metal Bowl	200 PSIG (13.8 bar)
Operating Temperature	Plastic Bowl	32° to 125°F (0° to 52°C)
	Metal Bowl	32° to 150°F (0° to 65.5°C)
Port Size	NPT / BSPP-G	3/4, 1
Bowl Capacity	2.0 oz	
Standard Filtration	5 Micron	
Weight	5.5 lb. (2.5 kg)	

\* Inlet pressure 150 PSIG (10.3 bar). Pressure drop 5 PSID (0.3 bar).

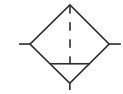
"F" Series Filters, Type "A" 5 micron elements: All Wilkerson Type "A" 5 micron elements meet or exceed ISO Class 3 for maximum particle size and concentration of solid contaminants.

## Materials of Construction

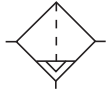
Baffle	Acetal	
Body	Zinc	
Bowls	Plastic Bowl	Polycarbonate
	Metal Bowl	Zinc
Deflector	Aluminum	
Element Retainer	Steel Stud	
Filter Element	Polyethylene	
Seals	Plastic Bowl	Nitrile
	Metal Bowl	Fluorocarbon
Sight Gauge	Metal Bowl	Tempered Glass



F30-06-000



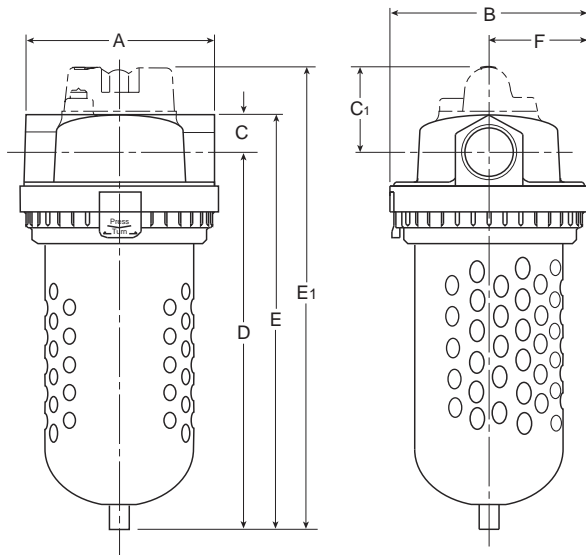
Manual Drain



Auto Drain

## Features

- Standard Manual Drain
- Standard 5 Micron Rated Element
- Quick-disconnect Clamp Ring for Easy Bowl Removal
- Bowl Guard



## Dimensions

Models	Inches (mm)	A	B	C	C <sub>1</sub>	D	E	E <sub>1</sub>	F
Standard Unit F30-XX-000		4.63 (118)	4.79 (122)	.94 (24)	—	8.96 (228)	9.90 (251)	—	2.40 (61)
Differential Pressure Indicator F30-XX-D00		4.63 (118)	4.79 (122)	.94 (24)	1.89 (48)	8.96 (228)	9.90 (251)	10.73 (272.5)	2.40 (61)
Automatic Drain F30-XX-F00		4.63 (118)	4.79 (122)	.94 (24)	—	8.96 (228)	10.04 (255)	—	2.40 (61)
Metal Bowl F30-XX-M00		4.63 (118)	4.79 (122)	.94 (24)	—	8.96 (228)	10.00 (254)	—	2.40 (61)
Metal Bowl with Sight Gauge F30-XX-G00		4.63 (118)	4.79 (122)	.94 (24)	—	8.96 (228)	9.90 (251)	—	2.40 (61)

 = "Most Popular"

### Replacement Bowl Kits

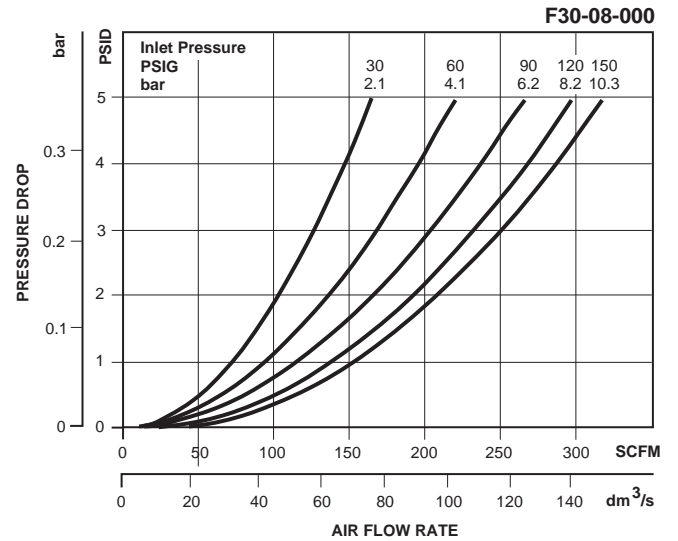
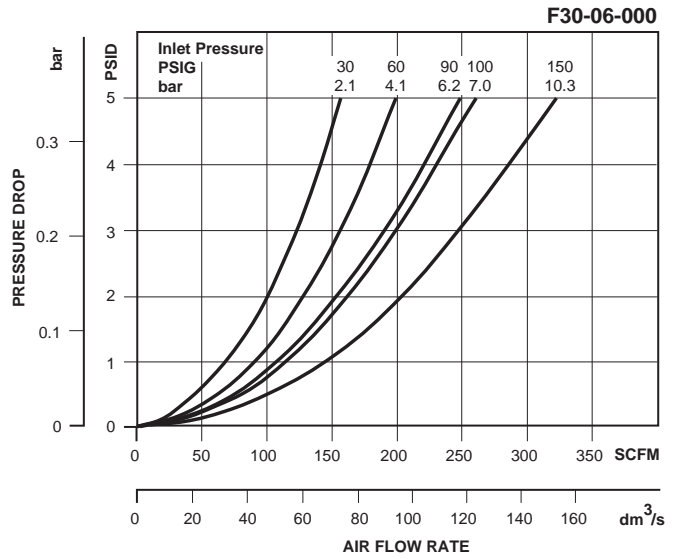
- Metal Bowl –  
 Automatic Drain ..... GRP-95-970  
 Sight Gauge, Manual Drain ..... GRP-95-676  
 Manual Drain ..... FRP-95-593
- Plastic Bowl –  
 Bowl Guard, Automatic Drain ..... FRP-95-775  
 Bowl Guard, Manual Drain ..... FRP-95-832  
 Manual Drain ..... FRP-96-315

### Replacement Element Kits

- Type "A", 5 Micron ..... FRP-95-209

### Accessories

- Automatic Drain, Nitrile ..... GRP-95-973  
 Manual Drain ..... FRP-95-610  
 Sight Gauge Kit ..... FRP-95-771



**B**  
Filters, Regulators, Lubricators

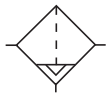
### Ordering Information

Model Type	Port Size	Polycarbonate Bowl / Bowl Guard	Metal Bowl	Metal Bowl / Sight Gauge	Polycarbonate Bowl / Bowl Guard / Differential Pressure Indicator
Manual Drain	3/4	F30-06-000	F30-06-M00	F30-06-G00	F30-06-D00
	1	F30-08-000	F30-08-M00	F30-08-G00	F30-08-D00
Automatic Drain	3/4	F30-06-F00	F30-06-FM0	F30-06-FG0	F30-06-DF0
	1	F30-08-F00	F30-08-FM0	F30-08-FG0	F30-08-DF0

Options - To order an option supplied with the unit model, add the appropriate coded suffix letter in the designated position of the model number.

# Particulate Filter F34

= "Most Popular"



Auto Drain



F34-06-000

## Features

- Standard Auto. Drain
- Standard 5 Micron Rated Element
- Quick-disconnect Clamp Ring for Easy Bowl Removal
- Bowl Guard

## Specifications

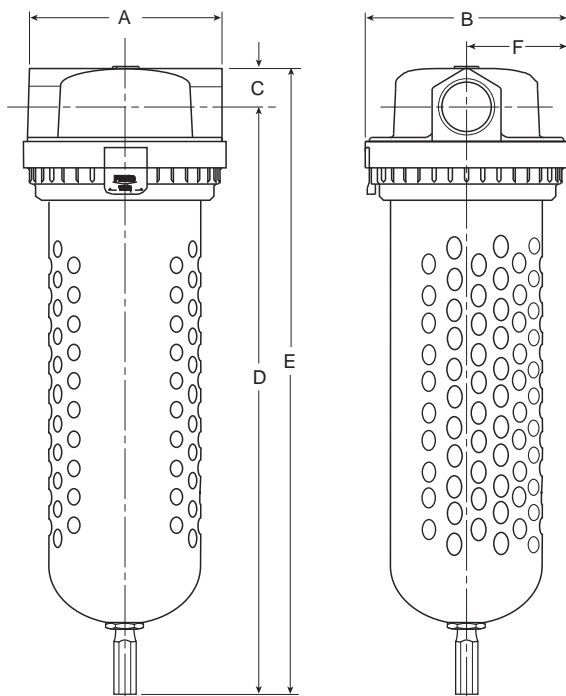
Flow Capacity*	1/2	190 SCFM (90.4 dm <sup>3</sup> /s)
	3/4	285 SCFM (134.4 dm <sup>3</sup> /s)
	1	362 SCFM (171.0 dm <sup>3</sup> /s)
Maximum Supply Pressure	Plastic Bowl	150 PSIG (10.3 bar)
	Metal Bowl	200 PSIG (13.8 bar)
Operating Temperature	Plastic Bowl	32° to 125°F (0° to 52°C)
	Metal Bowl	32° to 150°F (0° to 65.5°C)
Port Size	NPT / BSPP-G	1/2, 3/4, 1
Bowl Capacity	16.6 oz	
Standard Filtration	5 Micron	
Weight	6.4 lb. (2.9 kg)	

\* Inlet pressure 150 PSIG (10.3 bar). Pressure drop 5 PSID (0.3 bar).

"F" Series Filters, Type "A" 5 micron elements: All Wilkerson Type "A" 5 micron elements **meet or exceed ISO Class 3** for maximum particle size and concentration of solid contaminants.

## Materials of Construction

Baffle	Acetal	
Body	Zinc	
Bowls	Plastic Bowl	Polycarbonate
	Metal Bowl	Aluminum
Deflector	Aluminum	
Element Retainer	Steel Stud	
Filter Element	Polyethylene	
Seals	Plastic Bowl	Nitrile
	Metal Bowl	Fluorocarbon



## Dimensions

Models	Inches (mm)	A	B	C	D	E	F
Standard Unit (Automatic Drain Standard) F34-XX-000		4.61 (117)	4.80 (122)	.94 (24)	14.04 (356)	14.98 (380)	2.40 (61)
Metal Bowl		4.61 (117)	4.80 (122)	.94 (24)	13.52 (343)	14.46 (367)	2.40 (61)

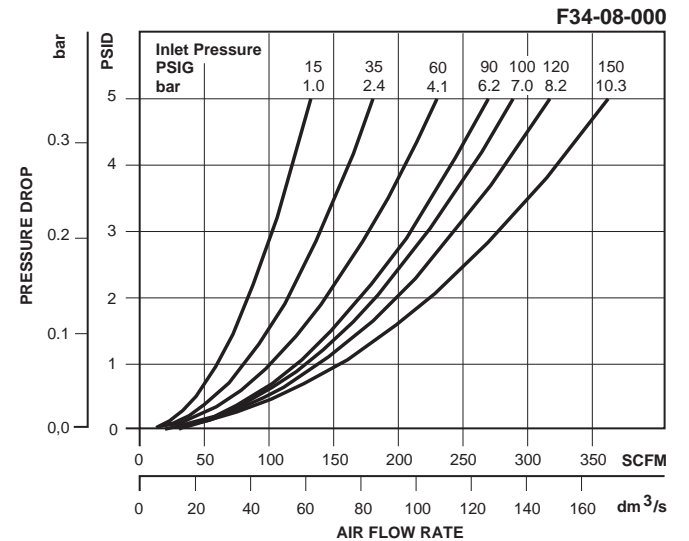
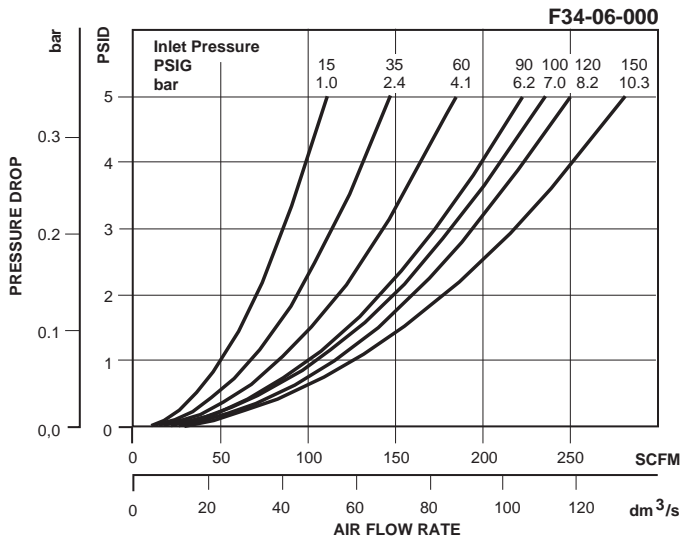
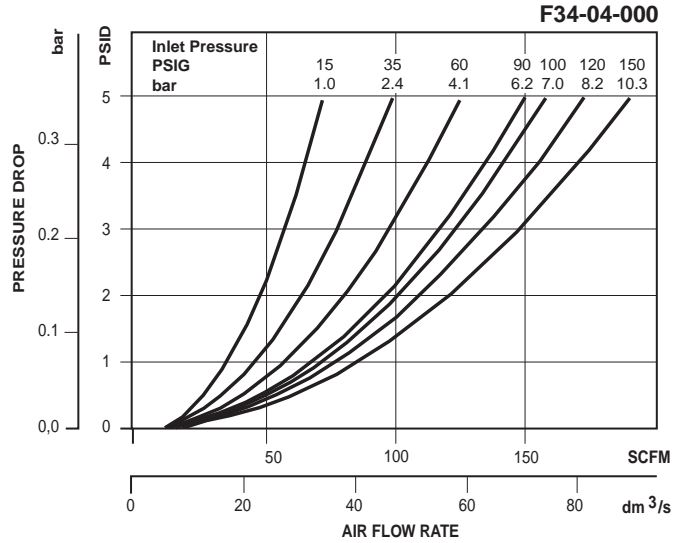
= "Most Popular"

### Replacement Bowl Kits

- Plastic Bowl –
- Bowl Guard, Manual Drain ..... GRP-95-904
- Metal Bowl –
- Includes Auto Drain Assembly ..... GRP-95-905

### Replacement Element Kits

- Type "A", 5 Micron ..... FRP-95-209



**B**  
Filters, Regulators, Lubricators

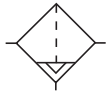
### Ordering Information

Model Type	Port Size	Polycarbonate Bowl / Bowl Guard	Metal Bowl
Automatic Drain	1/2	F34-04-000	F34-04-M00
	3/4	F34-06-000	F34-06-M00
	1	F34-08-000	F34-08-M00

Options - To order an option supplied with the unit model, add the appropriate coded suffix letter in the designated position of the model number.

# Particulate Filter F35

= "Most Popular"



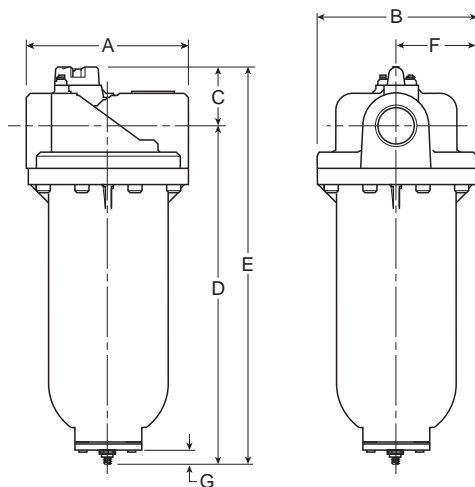
Auto Drain



**F35-0B-000**

## Features

- Heavy-duty Cast Aluminum Housings to Withstand Operating Pressures Up to 250 PSIG\*
- Differential Pressure Indicator to Eliminate the Guesswork of Element Replacement
- Differential pressure gauge available, order separately, Kit DP3-01-000
- Unique Drain Mounting Plate Design Offers a Trouble-free Method for Interchanging and Installing External Drains



**NOTE:** Automatic internal float drain shown is included on F35 filters with F00 suffix only. Models with 000 suffix include drain plate with tapped 1/2 NPT / BSPP-G drain port.

## Dimensions

Models	Inches (mm)	A	B	C	D	E	F	G
Standard Unit F35-XX-000		7.80 (198)	7.75 (197)	2.81 (71)	16.24 (412.5)	19.07 (484)	3.88 (98.6)	.55 (14)
Automatic Drain F35-XX-F00		7.80 (198)	7.75 (197)	2.81 (71)	15.69 (398.5)	18.52 (470)	3.88 (98.6)	.55 (14)

## Specifications

Flow Capacity*	1-1/2	1280 SCFM (604 dm <sup>3</sup> /s)
	2	1400 SCFM (660 dm <sup>3</sup> /s)
Maximum Supply Pressure	without DPI and with Pressure Gauge	250 PSIG (17.2 bar)†
	with DPI	150 PSIG (10.3 bar)
Operating Temperature	32° to 150°F (0° to 65.5°C)	
Port Size	NPT / BSPP-G	1-1/4, 1-1/2, 2
Bowl Capacity	12.5 oz	
Standard Filtration	5 Micron	
Weight	19.3 lb. (8.7 kg)	

\* Inlet pressure 150 PSIG (10.3 bar). Pressure drop of 5 PSID (0.3 bar).

\*\* Without pressure indicator – Max. supply pressure is 250 PSIG (17.2 bar).

**“F” Series Filters, Type “A” 5 micron elements:** All Wilkerson Type “A” 5 micron elements **meet or exceed ISO Class 3** for maximum particle size and concentration of solid contaminants.

## Materials of Construction

Baffle	Plated Steel
Body	Aluminum
Bowls	Aluminum
Deflector	Plated Steel
Element Retainer	Plated Steel
Filter Element	Polyethylene
Seals	Fluorocarbon
Stud	Plated Steel

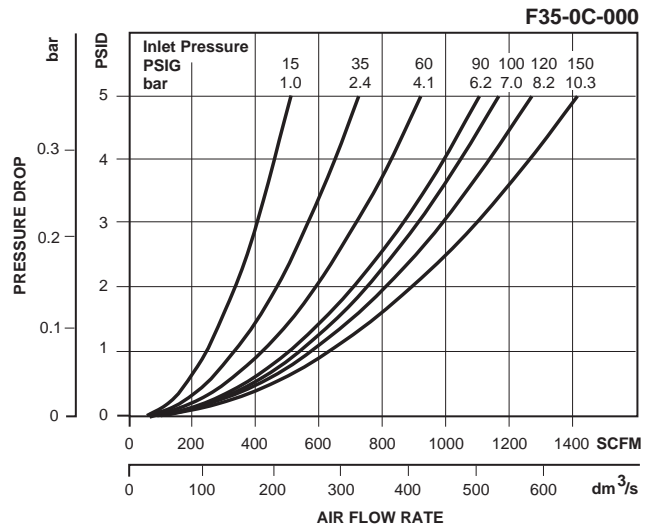
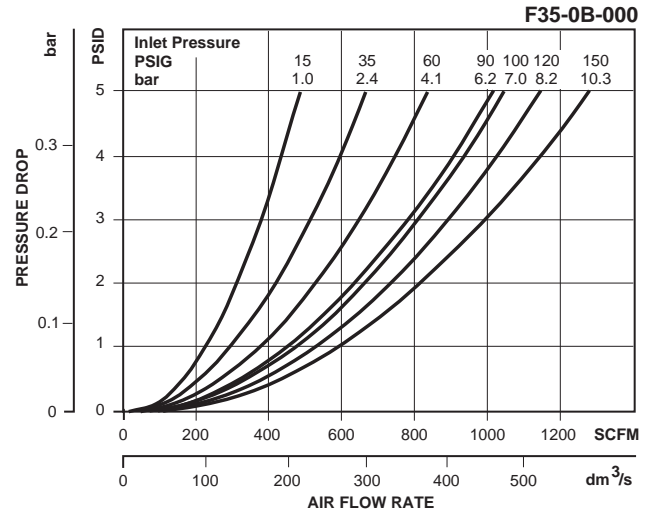
= "Most Popular"

### Replacement Element Kit

Element, F35, 5 Micron, Fluorocarbon O-rings.....FRP-95-505

### Accessories

- Cap, Differential Pressure Indicator –  
For pressures over 150 PSIG..... GRP-95-022
- Drain, Automatic, Internal, Fluorocarbon,  
1/8 NPT ..... GRP-95-981
- Drain Plate Kit –  
1/2 NPT tapped drain port ..... GRP-95-393  
5/16 Dia. Drain Port,  
For use with Internal Auto Drain ..... GRP-95-391
- Gauge, Differential Pressure ..... DP3-01-000
- Indicator, Differential Pressure..... DP2-02-001
- Manual Drain Kit  
Includes 1/2" Drain Plate, Manual Drain..... GRP-95-392
- Manual Override for Auto Float Drain –  
GRP-05-981 Required ..... GRP-96-001



**B**  
Filters, Regulators, Lubricators

### Ordering Information

Model Type	Port Size	Metal Bowl	
Manual Drain	1-1/2	F35-0B-000	(Includes 1/2 NPT / BSPP-G Drain Plate)
	2	F35-0C-000	
Automatic Drain	1-1/2	F35-0B-F00	
	2	F35-0C-F00	

Options - To order an option supplied with the unit model, add the appropriate coded suffix letter in the designated position of the model number.

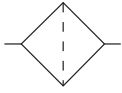


# Particulate Filter F43

= "Most Popular"

**B**

Filters, Regulators, Lubricators



**F43-0E-000**

## Features

- Heavy-duty Cast Aluminum Housings to Withstand Operating Pressures Up to 250 PSIG\*
- Differential Pressure Indicator to Eliminate the Guesswork of Element Replacement
- Differential pressure gauge available, order separately, Kit DP3-01-000
- Unique Drain Mounting Plate Design Offers a Trouble-free Method for Interchanging and Installing External Drains
- 5 Micron High Flow Particulate Element

## Specifications

Flow Capacity*	3	2900 SCFM (1368 dm <sup>3</sup> /s)
Maximum Supply Pressure	without DPI and with Pressure Gauge	250 PSIG (17.2 bar)†
	with DPI	150 PSIG (10.3 bar)
Operating Temperature	32° to 150°F (0° to 65.5°C)	
Port Size	NPT / BSPP-G	3
Bowl Capacity	14 oz	
Standard Filtration	5 Micron	
Weight	32.8 lb. (14.9 kg)	

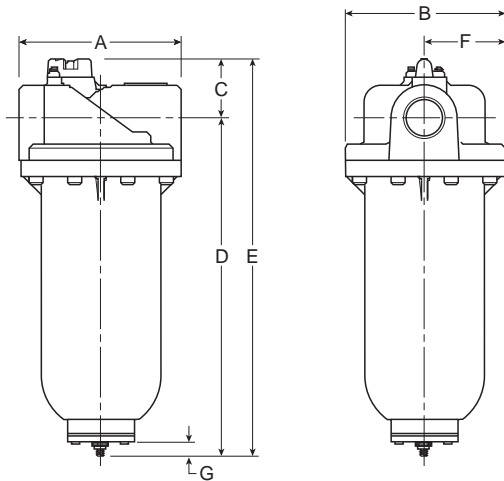
\* Inlet pressure 150 PSIG (10.3 bar). Pressure drop of 5 PSID (0.3 bar).

\*\* Without pressure indicator – Max. supply pressure is 250 PSIG (17.3bar).

“F” Series Filters, Type “A” 5 micron elements: All Wilkerson Type “A” 5 micron elements **meet or exceed ISO Class 3** for maximum particle size and concentration of solid contaminants.

## Materials of Construction

Baffle	Plated Steel
Body	Aluminum
Bowls	Aluminum
Deflector	Plated Steel
Filter Element	Polyethylene
Seals	Fluorocarbon
Stud	Plated Steel



**NOTE:** Standard filter includes tapped 1/2 NPT / BSPP-G drain plate. To order internal float drain shown, order drain adapter plate GRP-95-391 and automatic drain GRP-95-981.

## Dimensions

Models	Inches (mm)	A	B	C	D	E	F	G
Standard Unit F43-0E-000		8.94 (227)	8.88 (225.5)	3.48 (88)	25.96 (659.4)	29.44 (748)	4.44 (112.8)	.55 (14)

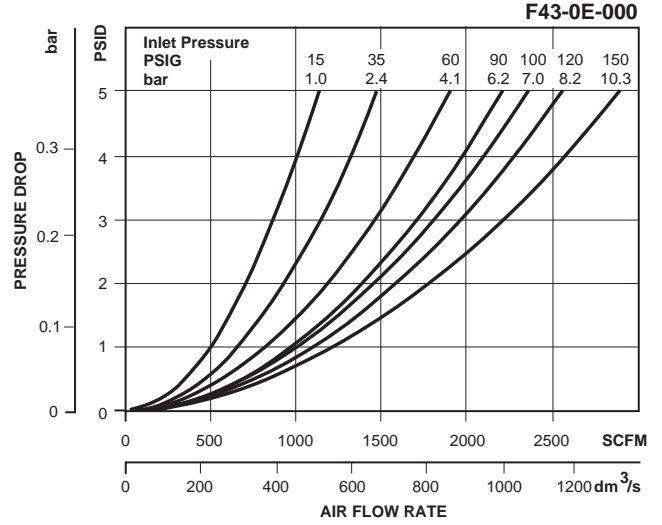
= "Most Popular"

### Replacement Element Kit

Element, F43, 5 Micron, Fluorocarbon O-rings.....FRP-95-508

### Accessories

- Cap, Differential Pressure Indicator –  
For pressures over 150 PSIG..... GRP-95-022
- Drain, Automatic, Internal, Fluorocarbon,  
1/8 NPT ..... GRP-95-981
- Drain Plate Kit –  
1/2 NPT tapped drain port ..... GRP-95-393  
5/16 Dia. Drain Port,  
For use with Internal Auto Drain ..... GRP-95-391
- Gauge, Differential Pressure ..... DP3-01-000
- Indicator, Differential Pressure..... DP2-02-001
- Manual Drain Kit  
Includes 1/2" Drain Plate, Manual Drain..... GRP-95-392
- Manual Override for Auto Float Drain –  
GRP-05-981 Required ..... GRP-96-000



**B**  
Filters, Regulators, Lubricators

### Ordering Information

Model Type	Port Size	Metal Bowl
<b>F43</b>	3	F43-0E-000 (Includes 1/2 NPT / BSPP-G Drain Plate)

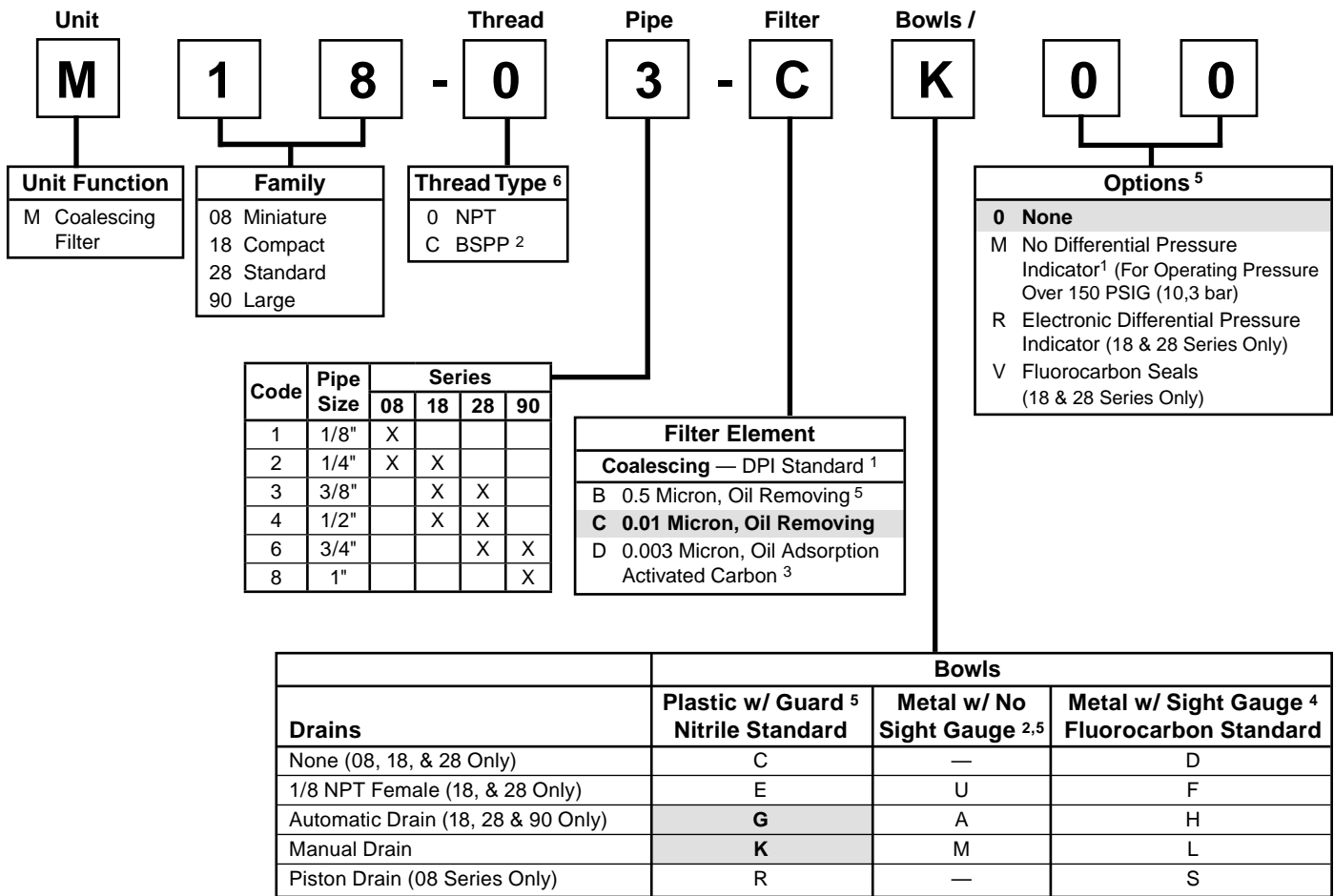
Options - To order an option supplied with the unit model, add the appropriate coded suffix letter in the designated position of the model number.

# Coalescing (Oil Removal) Numbering System

   = "Most Popular"

**B**

Filters, Regulators, Lubricators



<sup>1</sup> "M" Option not available on 08 Series. No DPI is Standard on M08.  
<sup>2</sup> ISO, R228 (G Series)  
<sup>3</sup> Only C, D, K, and L Bowl / Drain Configurations Available.  
<sup>4</sup> M08 Filter has an all Metal Bowl (no Sight Gauge).  
<sup>5</sup> Not available in 90 Series.  
<sup>6</sup> For 90 Series 1-1/2" ported unit, please order P3YKA\*BCP port block kit separately.

**"M" Series Coalescing Filters, with Type "B" 0.5 micron elements:** All Wilkerson Type "M" Oil Removal (Coalescing) Filters with Type "B" 0.5 micron elements **exceed ISO Class 2** for maximum particle size and concentration of solid contaminants, and exceed Class 3 on maximum oil content (ppm/wt).

**"M" Series Coalescing Filters, with Type "C" 0.01 micron elements:** All Wilkerson Type "M" Oil Removal (Coalescing) Filters with Type "C" 0.01 micron elements **exceed ISO Class 1** for maximum particle size and concentration of solid contaminants, and exceed Class 1 on maximum oil content (ppm/wt).

**"M" Series Adsorption Filters, with Type "D" activated carbon elements:** All Wilkerson Type "M" adsorption filters with Type "D" 0.003 micron activated carbon elements **exceed ISO Class 1** on maximum oil content (ppm/wt).

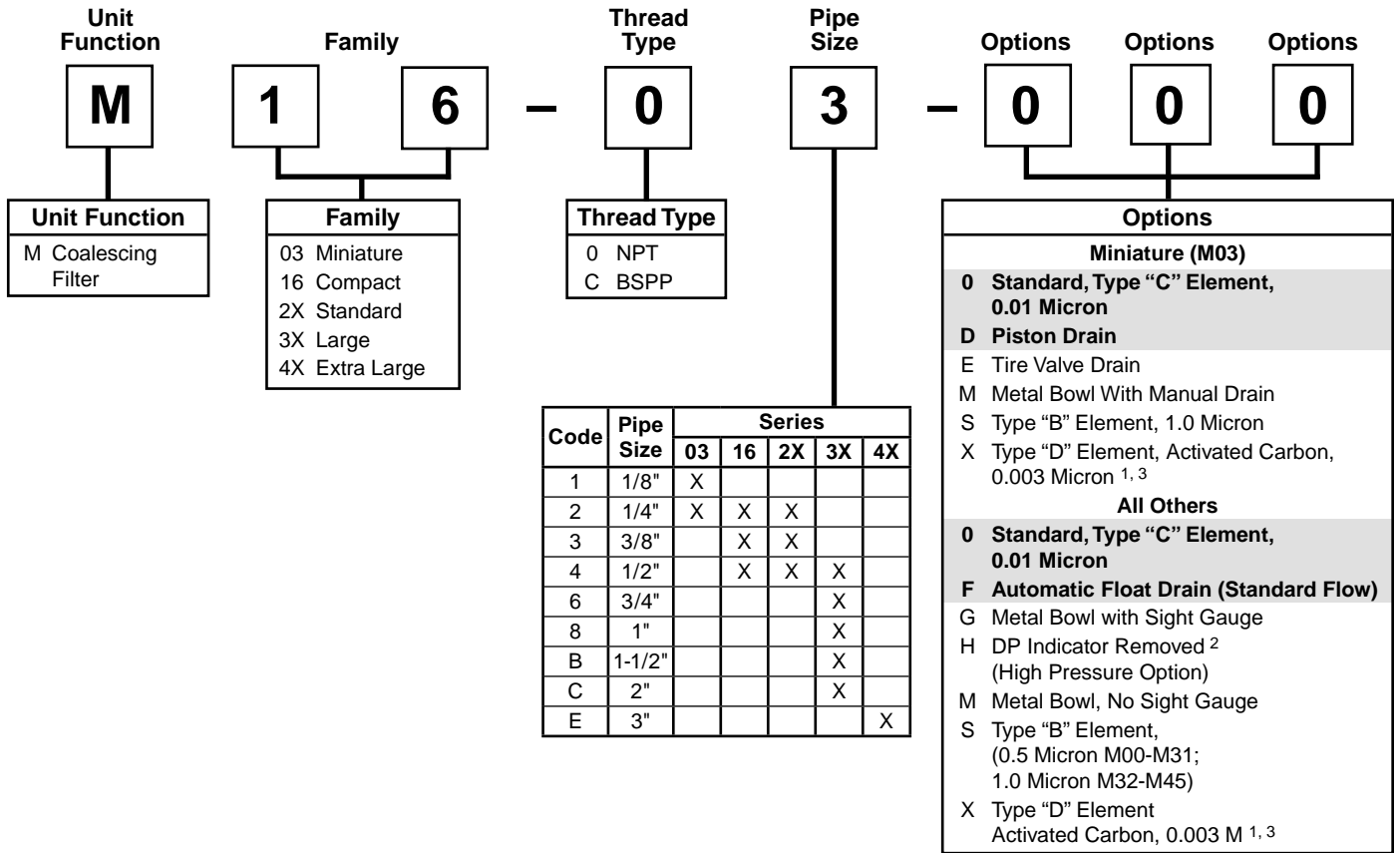
**NOTE:** All classes above refer to International Standards Organization (ISO) standard 8573-1, pertaining to maximum particle size and concentration of solid contaminants, and maximum oil content.

**Note:** When selecting from the options columns, please enter letters in alphabetical order for positions 7, 8, and 9.  
**For example:**

**M 1 8 - 0 3 - C K 0 0**

# Coalescing Filter Numbering System

   = "Most Popular"



**B**

Filters, Regulators, Lubricators

<sup>1</sup> Auto Float Drains not available with M16, M26- units with Type "D" Activated Carbon Elements.

<sup>2</sup> Except Models M5X.

<sup>3</sup> Units with Type "D" element do not contain DP indicator.

**"M" Series Coalescing Filters, with Type "B" 0.5 micron elements:** All Wilkerson Type "M" Oil Removal (Coalescing) Filters with Type "B" 0.5 micron elements **exceed ISO** Class 2 for maximum particle size and concentration of solid contaminants, and exceed Class 3 on maximum oil content (ppm/wt).

**"M" Series Coalescing Filters, with Type "C" 0.01 micron elements:** All Wilkerson Type "M" Oil Removal (Coalescing) Filters with Type "C" 0.01 micron elements **exceed ISO** Class 1 for maximum particle size and concentration of solid contaminants, and exceed Class 1 on maximum oil content (ppm/wt).

**"M" Series Adsorption Filters, with Type "D" activated carbon elements:** All Wilkerson Type "M" adsorption filters with Type "D" activated carbon elements **exceed ISO** Class 1 on maximum oil content (ppm/wt).

**NOTE:** All classes above refer to International Standards Organization (ISO) standard 8573-1:1991(E), pertaining to maximum particle size and concentration of solid contaminants, and maximum oil content.

**If more than one option is desired, arrange them in alphabetical order in positions 6, 7, and 8.**

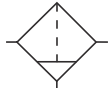
**NOTE: 000 in position 6, 7, and 8 signifies standard product.**

# Coalescing Filter M03

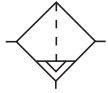
= "Most Popular"

**B**

Filters, Regulators, Lubricators



Manual Drain



Auto Drain



**M03-02-000**

## Features

- Removes Liquid Aerosols and Sub-micron Particles
- Liquids Gravitate to the Bottom of the Element and Will Not Re-enter the Airstream
- Oil Free Air for Critical Applications, such as Air Gauging and Pneumatic Instrumentation and Controls

## Specifications

Flow Capacity*	1/8	17.0 SCFM (8 dm <sup>3</sup> /s)
	1/4	20.0 SCFM (9 dm <sup>3</sup> /s)
Maximum Supply Pressure		
Polycarbonate Bowl	0 to 150 PSIG (0 to 10.3 bar)	
Metal Bowl	0 to 250 PSIG (0 to 17.2 bar)	
Piston Drain	10 to 250 PSIG (0.7 to 17.2 bar)	
Operating Temperature		
Polycarbonate Bowl	32°F to 125°F (0°C to 52°C)	
Metal Bowl	32°F to 175°F (0°C to 80°C)	
Piston Drain	32°F to 125°F (6°C to 52°C)	
Port Size	NPT	1/8, 1/4
Standard Filtration	Micron	(B) 1.0, (C) 0.01 (D) 0.003 ppm / wt**
Weight	.41 lb. (.18 kg)	

\* Inlet pressure 90 PSIG (6.2 bar). Pressure drop 5 PSID (0.3 bar).

\*\*Filtration temperature of 70°F (21°C) @ 100 PSIG (6.9 bar) with typical compressor lubricating oil and protected by Type C filter.

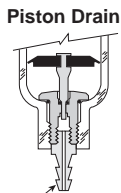
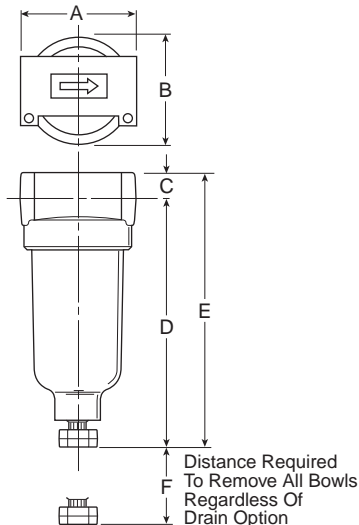
**"M" Series Coalescing Filters, with Type "B" 1 micron elements:** All Wilkerson Type "M" Oil Removal (Coalescing) Filters with Type "B" 0.5 micron elements **exceed ISO Class 2** for maximum particle size and concentration of solid contaminants, and exceed Class 3 on maximum oil content (ppm/wt).

**"M" Series Coalescing Filters, with Type "C" 0.01 micron elements:** All Wilkerson Type "M" Oil Removal (Coalescing) Filters with Type "C" 0.01 micron elements **exceed ISO Class 1** for maximum particle size and concentration of solid contaminants, and exceed Class 1 on maximum oil content (ppm/wt).

**"M" Series Adsorption Filters, with Type "D" 0.003 micron activated carbon elements:** All Wilkerson Type "M" adsorption filters with Type "D" 0.003 micron activated carbon elements **exceed ISO Class 1** on maximum oil content (ppm/wt).

## Materials of Construction

Body	Zinc
Bowls – Transparent	Polycarbonate
Metal (Without Sight Gauge)	Zinc
Deflector, Element Holder & Baffle	Plastic
Drains	
Manual Drain –	
Body & Stem	Plastic
Seals	Nitrile
Piston Drain –	
Piston & Seals	Nitrile
Stem, Seat, Adaptor & Washers	Aluminum
Filter Element	Plastic
Seals	Nitrile



Accepts 1/8" Tubing

## Dimensions

Models	Inches (mm)	A	B	C	D	E	F
Standard Unit M03-XX-000		1.69 (43)	1.53 (39)	.39 (10)	3.82 (97)	4.21 (107)	1.60 (41)
Piston Drain M03-XX-D00		1.69 (43)	1.53 (39)	.39 (10)	3.87 (99)	4.26 (108)	1.60 (41)

= "Most Popular"

### Replacement Bowl Kits

- Metal Bowl –
  - Manual Drain .....PS451B
  - Piston Drain .....PS447B

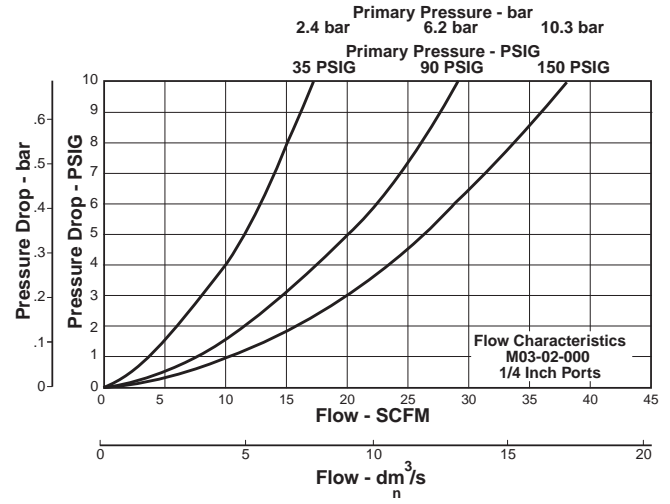
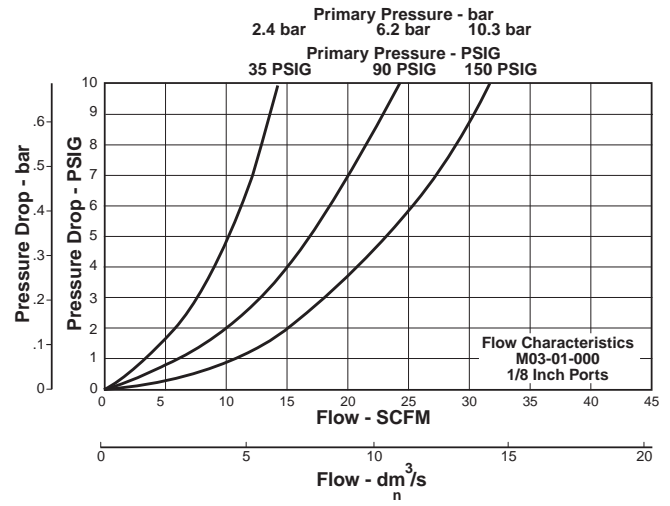
- Plastic Bowl –
  - Manual Drain .....PS404
  - Piston Drain .....PS408B

### Replacement Element Kits

- Type "B", 1.0 Micron .....PS456
- Type "C", 0.01 Micron .....PS446
- Type "D", Oil Vapor Removing .....PS452

### Accessories

- Mounting Bracket Kit .....PS417B



**B**  
Filters, Regulators, Lubricators

### Ordering Information

Model Type	Port Size	Polycarbonate Bowl / "C" Element	Metal Bowl / "C" Element	Polycarbonate Bowl / "B" Micron Element	Polycarbonate Bowl / "D" Element
Manual Drain	1/8	M03-01-000	M03-01-M00	M03-01-S00	M03-01-X00
	1/4	M03-02-000	M03-02-M00	M03-02-S00	M03-02-X00

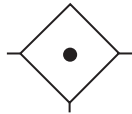
Options - To order an option supplied with the unit model, add the appropriate coded suffix letter in the designated position of the model number.

# Coalescing Filter M08

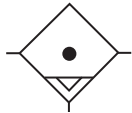
= "Most Popular"

**B**

Filters, Regulators, Lubricators



Coalescing Filter



Auto Drain



**M08-02-CK00**

## Features

- High-efficiency Removal of Water, Oil Aerosols, and Solid Particulate Contaminants Down to 0.01 ppm / wt with Minimum Pressure Drop
- Modern Design and Appearance
- Light Weight
- High Flow Capacity
- Bowl Guard
- Quick-disconnect Bowl

## Specifications

Flow Capacity*	1/8, 1/4	11.0 SCFM (5.2 dm <sup>3</sup> /s)
Maximum Supply Pressure	Plastic Bowl Metal Bowl	150 PSIG (10.3 bar) 250 PSIG (17.2 bar)
Operating Temperature	Plastic Bowl Metal Bowl	14° to 125°F (-10° to 52°C) 14° to 150°F (-10° to 65.5°C)
Port Size	NPT / BSPP-G 1/4	
Bowl Capacity	0.4 oz	
Standard Filtration	Micron	(B) .5, (C) 0.01 (D) 0.003 ppm wt**
Weight	.4 lb. (0.2 kg)	

\* Inlet pressure 150 PSIG (10.3 bar). Pressure drop 3 PSID (0.2 bar) (dry element).

\*\* Filtration temperature of 70°F (21°C) @ 100 PSIG (6.9 bar) with typical compressor lubricating oil and protected by Type C filter.

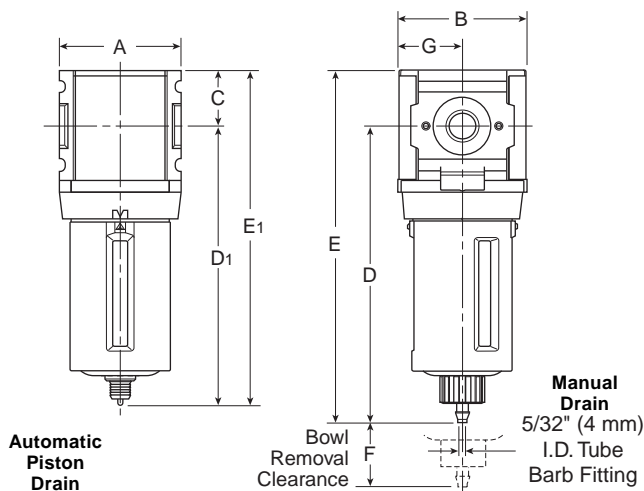
**"M" Series Coalescing Filters, with Type "B" 0.5 micron elements:** All Wilkerson Type "M" Oil Removal (Coalescing) Filters with Type "B" 0.5 micron elements exceed ISO Class 2 for maximum particle size and concentration of solid contaminants, and exceed Class 3 on maximum oil content (ppm/wt).

**"M" Series Coalescing Filters, with Type "C" 0.01 micron elements:** All Wilkerson Type "M" Oil Removal (Coalescing) Filters with Type "C" 0.01 micron elements exceed ISO Class 1 for maximum particle size and concentration of solid contaminants, and exceed Class 1 on maximum oil content (ppm/wt).

**"M" Series Adsorption Filters, with Type "D" 0.003 micron activated carbon elements:** All Wilkerson Type "M" adsorption filters with Type "D" 0.003 micron activated carbon elements exceed ISO Class 1 on maximum oil content (ppm/wt).

## Materials of Construction

Body	Zinc	
Body Cap	ABS	
Bowl	Plastic Bowl Metal Bowl	Polycarbonate Zinc
Filter Element	Type "B", "C" Type "D"	Borosilicate Cloth Activated Carbon
Seals	Nitrile	



## Dimensions

Models	Inches (mm)	A	B	C	D	D <sub>1</sub>	E	E <sub>1</sub>	F	G
Standard Unit M08-XX-CK00		1.58 (40)	1.68 (43)	.72 (18)	3.86 (98)	—	4.58 (116)	—	1.31 (33)	.84 (21)
Automatic Piston Drain M08-XX-CR00		1.58 (40)	1.68 (43)	.72 (18)	—	3.64 (93)	—	4.36 (111)	1.31 (33)	.84 (21)

= "Most Popular"

### Replacement Bowl Kits

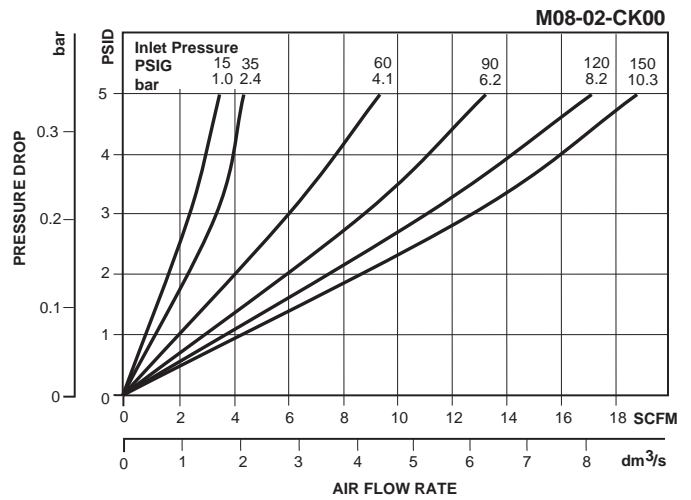
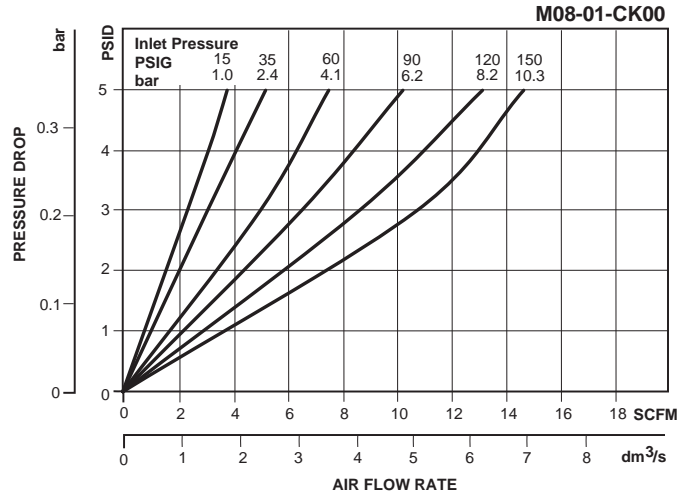
- Metal Bowl, Manual Drain.....GRP-96-714
- Plastic Bowl / Bowl Guard, Manual Drain.....GRP-96-712

### Replacement Element Kits

- Type "B", 0.5 Micron..... MSP-96-732
- Type "C", 0.01 Micron..... MTP-96-649
- Type "D", 0.003 Micron, Activated Carbon ..... MXP-96-222

### Accessories

- Automatic Piston Drain .....GRP-96-716
- Wall Mounting Bracket –
- C-Type ..... GPA-97-010
- T-Type ..... GPA-96-737



**B**  
Filters, Regulators, Lubricators

### Ordering Information

Model Type	Port Size	Plastic Bowl / Bowl Guard / C Element	Plastic Bowl / Bowl Guard / B Element	Plastic Bowl / Bowl Guard / D Element	Metal Bowl / C Element	Metal Bowl / B Element	Metal Bowl / D Element
Manual Drain	1/4	M08-02-CK00	M08-02-BK00	M08-02-DK00	M08-02-CL00	M08-02-BL00	M08-02-DL00
Automatic Piston Drain	1/4	M08-02-CR00	M08-02-BR00	M08-02-DR00	M08-02-CS00	M08-02-BS00	M08-02-DS00

Options - To order an option supplied with the unit model, add the appropriate coded suffix letter in the designated position of the model number.

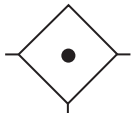


# Coalescing Filter M18

= "Most Popular"

**B**

Filters, Regulators, Lubricators



Coalescing Filter



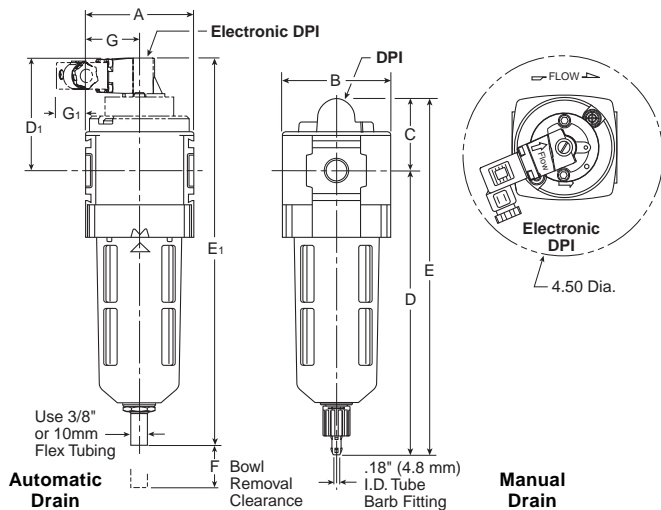
Auto Drain



**M18-02-CK00**

## Features

- High-efficiency Removal of Water, Oil Aerosols, and Solid Particulate Contaminants Down to 0.01 ppm / wt with Minimum Pressure Drop
- Modern Design and Appearance
- Light Weight
- High Flow Capacity
- Bowl Guard
- Quick-disconnect Bowl



## Specifications

Flow Capacity*	1/4	40 SCFM (18.9 dm <sup>3</sup> /s)
	3/8	44 SCFM (20.3 dm <sup>3</sup> /s)
	1/2	48 SCFM (22.6 dm <sup>3</sup> /s)
Maximum Supply Pressure	Plastic Bowl	150 PSIG (10.3 bar) <sup>†</sup>
	Metal Bowl	150 PSIG (10.3 bar) <sup>†</sup>
Operating Temperature	Plastic Bowl	-13° to 125°F (-25° to 52°C)
	Metal Bowl	-13° to 150°F (-25° to 65.5°C)
Port Size	NPT / BSPP-G	1/4, 3/8, 1/2
Bowl Capacity	1.72 oz	
Standard Filtration	Micron	(B) 0.5, (C) 0.01
		(D) 0.003 ppm wt**
Weight	1.1 lb (0.5 kg)	

\* Inlet pressure 150 PSIG (10.3 bar). Pressure drop 3 PSID (0.2 bar) (dry element).

\*\* Filtration temperature of 70°F (21°C) @ 100 PSIG (6.9 bar) with typical compressor lubricating oil and protected by Type C filter.

† Without pressure indicator — max. supply pressure for metal bowl version is 250 PSIG (17.2 bar).

**"M" Series Coalescing Filters, with Type "B" 0.5 micron elements:** All Wilkerson Type "M" Oil Removal (Coalescing) Filters with Type "B" 0.5 micron elements **exceed ISO Class 2** for maximum particle size and concentration of solid contaminants, and exceed Class 3 on maximum oil content (ppm/wt).

**"M" Series Coalescing Filters, with Type "C" 0.01 micron elements:** All Wilkerson Type "M" Oil Removal (Coalescing) Filters with Type "C" 0.01 micron elements **exceed ISO Class 1** for maximum particle size and concentration of solid contaminants, and exceed Class 1 on maximum oil content (ppm/wt).

**"M" Series Adsorption Filters, with Type "D" 0.003 micron activated carbon elements:** All Wilkerson Type "M" adsorption filters with Type "D" 0.003 micron activated carbon elements **exceed ISO Class 1** on maximum oil content (ppm/wt).

## Materials of Construction

Body	Zinc	
Body Cap	ABS	
Bowl	Plastic Bowl	Polycarbonate
	Metal Bowl	Aluminum
Filter Element	Type "B", "C"	Borosilicate Cloth
	Type "D"	Activated Carbon
Seals	Nitrile	
Sight Gauge	Metal Bowl	Polyamide (Nylon)

## Dimensions

Models	Inches (mm)	A	B	C	D	D <sub>1</sub>	E	E <sub>1</sub>	F	G	G <sub>1</sub>
Standard Unit M18-XX-CK00		2.36 (60)	2.36 (60)	1.90 (48)	6.32 (161)	—	8.23 (209)	—	1.60 (41)	1.18 (30)	—
Automatic Drain M18-XX-CG00		2.36 (60)	2.36 (60)	1.90 (48)	5.98 (152)	—	8.00 (203)	—	1.60 (41)	1.18 (30)	—
Electronic Differential Pressure Indicator		2.36 (60)	2.36 (60)	—	6.41 (163)	2.67 (68)	—	9.05 (230)	1.60 (41)	1.18 (30)	.69 (18)
Metal Bowl with Sight Gauge / Automatic Drain		2.36 (60)	2.70 (69)	1.90 (48)	5.98 (152)	—	8.00 (203)	—	1.60 (41)	1.18 (30)	—
Metal Bowl with Sight Gauge / Manual Drain		2.36 (60)	2.70 (69)	1.90 (48)	6.32 (161)	—	8.23 (209)	—	1.60 (41)	1.18 (30)	—

= "Most Popular"

### Replacement Bowl Kits

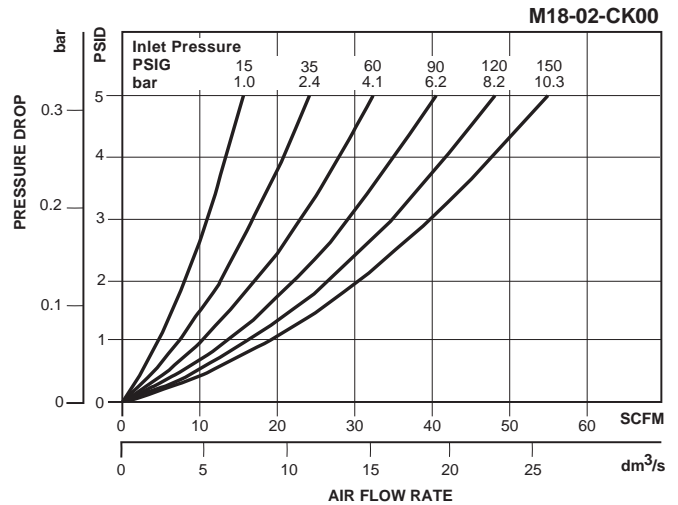
- Metal Bowl with Sight Gauge, Automatic Float Drain..... GRP-96-637
- Metal Bowl with Sight Gauge, Manual Drain..... GRP-96-636
- Plastic Bowl –
  - Bowl Guard, Auto Drain ..... GRP-96-635
  - Bowl Guard, Manual Drain..... GRP-96-634
  - Bowl Guard, Closed Bottom..... GRP-96-638

### Replacement Element Kits

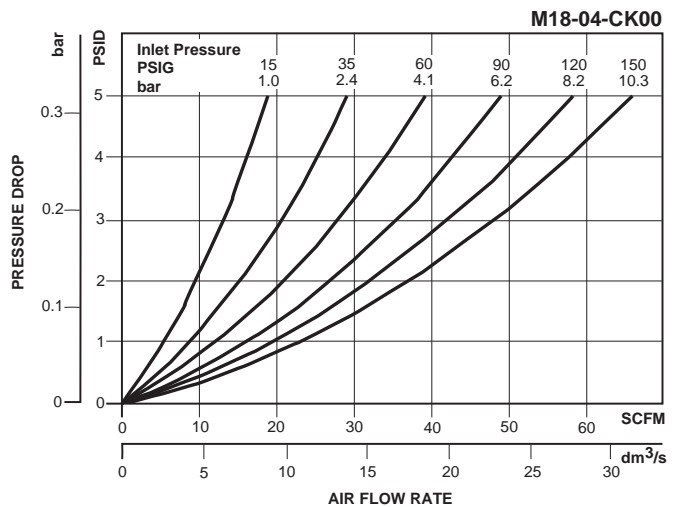
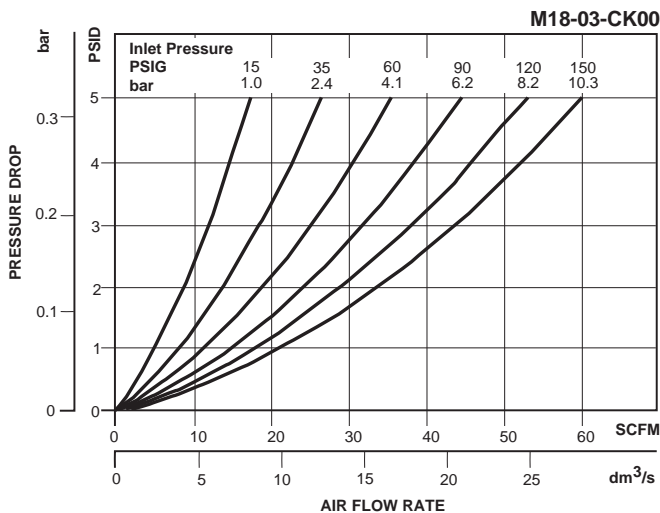
- Type "B", 0.5 Micron..... MSP-96-647
- Type "C", 0.01 Micron..... MTP-96-646
- Type "D", 0.003 Micron Activated Carbon ..... MXP-96-650

### Accessories

- Automatic Drain –
  - Fluorocarbon ..... GRP-95-981
  - Nitrile ..... GRP-95-973
- DPI Replacement Kit..... DP8-01-000
- Electronic DPI Conversion Kit..... GRP-96-823  
(Converts visual DPI to electronic DPI)
- Electronic DPI Replacement Kit ..... GRP-96-824
- Manual Drain..... GRP-96-685
- Sight Gauge Kit..... GRP-96-825
- Wall Mounting Bracket –
  - L-Type ..... GPA-96-604
  - T-Type..... GPA-96-602



**B**  
Filters, Regulators, Lubricators



### Ordering Information

Model Type	Port Size	Plastic Bowl / Bowl Guard / C Element	Plastic Bowl / Bowl Guard / B Element	Plastic Bowl / Bowl Guard / D Element	Metal Bowl / Sight Gauge / C Element	Metal Bowl / Sight Gauge / B Element	Metal Bowl / Sight Gauge / D Element
Manual Drain	1/4	M18-02-CK00	M18-02-BK00	M18-02-DK00	M18-02-CL00	M18-02-BL00	M18-02-DL00
	3/8	M18-03-CK00	M18-03-BK00	M18-03-DK00	M18-03-CL00	M18-03-BL00	M18-03-DL00
	1/2	M18-04-CK00	M18-04-BK00	M18-04-DK00	M18-04-CL00	M18-04-BL00	M18-04-DL00
Automatic Drain	1/4	M18-02-CG00	M18-02-BG00	N/A	M18-02-CH00	M18-02-BH00	N/A
	3/8	M18-03-CG00	M18-03-BG00	N/A	M18-03-CH00	M18-03-BH00	N/A
	1/2	M18-04-CG00	M18-04-BG00	N/A	M18-04-CH00	M18-04-BH00	N/A

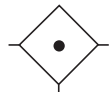
**Options** - To order an option supplied with the unit model, add the appropriate coded suffix letter in the designated position of the model number.

# Coalescing Filter M16

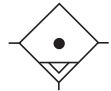
= "Most Popular"

**B**

Filters, Regulators, Lubricators



Coalescing Filter



Auto Drain



**M16-02-000**

## Features

- Manual Drain
- 0.01 Micron Rated Filter Element
- Quick-disconnect Bowl Guard with Integral Plastic Bowl and Safety Latch
- Differential Pressure Indicator Standard

## Specifications

Flow Capacity*	1/4	37.0 SCFM (17.5 dm <sup>3</sup> /s)
	3/8	44.7 SCFM (21.0 dm <sup>3</sup> /s)
	1/2	46.1 SCFM (21.7 dm <sup>3</sup> /s)
Maximum Supply Pressure	Plastic Bowl	150 PSIG (10.3 bar)
	Metal Bowl	200 PSIG (13.8 bar)
Operating Temperature	Plastic Bowl	32° to 125°F (0° to 52°C)
	Metal Bowl	32° to 150°F (0° to 65.5°C)
Port Size	NPT / BSPP-G	1/4, 3/8, 1/2
Bowl Capacity	2.7 oz	
Standard Filtration	Micron	(B) 0.5, (C) 0.01 (D) 0.003 ppm / wt**
Weight	1.8 lb.(0.8 kg)	

\* Inlet pressure 150 PSIG (10.3 bar). Pressure drop 3 PSID (0.2 bar).

\*\* Filtration temperature of 70°F (21°C) @100 PSIG (6.9 bar) with typical compressor lubricating oil and protected by Type "C" filter.

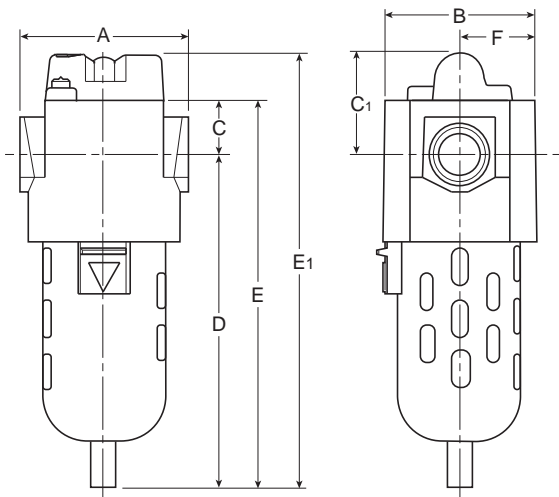
**"M" Series Coalescing Filters, with Type "B" 0.5 micron elements:** All Wilkerson Type "M" Oil Removal (Coalescing) Filters with Type "B" 0.5 micron elements **exceed ISO Class 2** for maximum particle size and concentration of solid contaminants, and exceed Class 3 on maximum oil content (ppm/wt).

**"M" Series Coalescing Filters, with Type "C" 0.01 micron elements:** All Wilkerson Type "M" Oil Removal (Coalescing) Filters with Type "C" 0.01 micron elements **exceed ISO Class 1** for maximum particle size and concentration of solid contaminants, and exceed Class 1 on maximum oil content (ppm/wt).

**"M" Series Adsorption Filters, with Type "D" 0.003 micron activated carbon elements:** All Wilkerson Type "M" adsorption filters with Type "D" 0.003 micron activated carbon elements **exceed ISO Class 1** on maximum oil content (ppm/wt).

## Materials of Construction

Body	Zinc	
Bowls	Plastic Bowl	Polycarbonate
	Metal Bowl	Zinc
Element Retainer	Brass Stud	
Filter Elements	Type "B", "C"	Borosilicate Cloth
	Type "D"	Activated Carbon
Seals	Fluorocarbon	



## Dimensions

Models	Inches (mm)	A	B	C	C <sub>1</sub>	D	E	E <sub>1</sub>	F
Standard Unit M16-XX-000		3.00 (76)	2.60 (66)	1.00 (25.4)	1.83 (46.5)	5.67 (144)	6.67 (169)	7.50 (190.5)	1.30 (33)
Automatic Drain M16-XX-F00		3.00 (76)	2.60 (66)	1.00 (25.4)	1.83 (46.5)	5.81 (148)	6.81 (173)	7.64 (190.5)	1.30 (33)

= "Most Popular"

### Replacement Bowl Kits

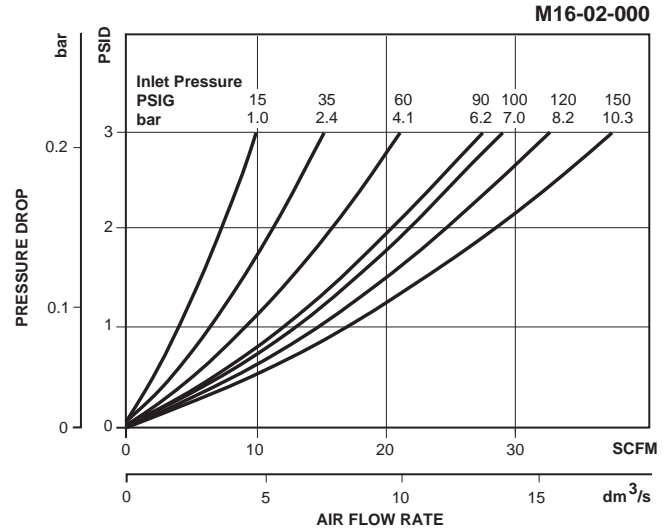
- Metal Bowl –
  - Automatic Drain ..... FRP-95-950
  - Manual Drain ..... FRP-95-178
- Plastic Bowl –
  - Bowl Guard, Auto Drain ..... FRP-95-015
  - Bowl Guard, Manual Drain ..... FRP-95-014
  - Manual Drain ..... FRP-95-017

### Replacement Element Kits

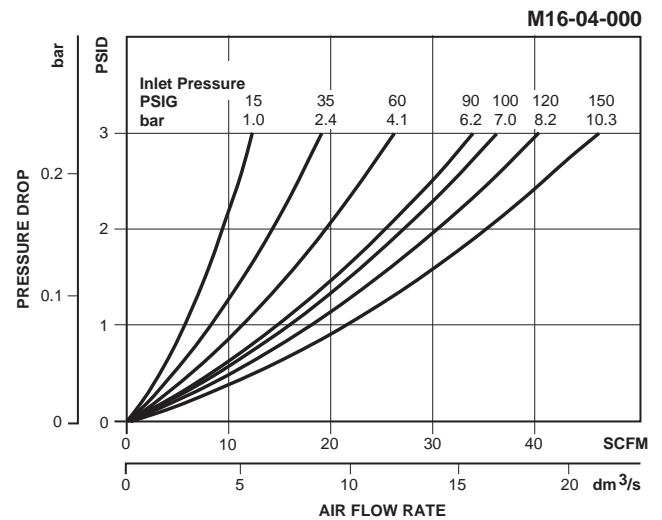
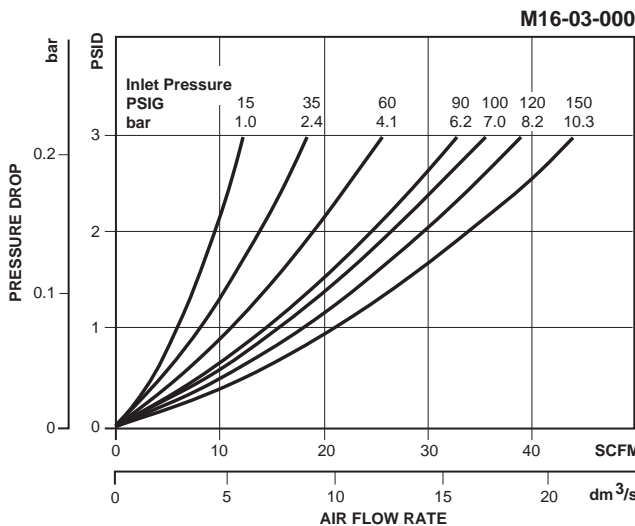
- Type "B", 0.5 Micron ..... MSP-95-988
- Type "C", 0.01 Micron ..... MTP-95-548
- Type "D", Oil Vapor Removing ..... MXP-95-987

### Accessories

- Automatic Mechanical Drain ..... GRP-95-973
- Cap, Differential Pressure Indicator –
  - For pressures over 150 PSIG ..... GRP-95-020
- Differential Pressure Indicator ..... DP2-02-000
- Manual Drain ..... FRP-95-610
- Sight Gauge Kit ..... GRP-95-079
- Wall Mounting Bracket, L-Type ..... GPA-95-016



**B**  
Filters, Regulators, Lubricators



### Ordering Information

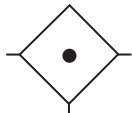
Model Type	Port Size	Polycarbonate Bowl / Bowl Guard / "C" Element	Metal Bowl / "C" Element	Polycarbonate Bowl / Bowl Guard / "B" Element	Polycarbonate Bowl / Bowl Guard / "D" Element (No DPI)
Manual Drain	1/4	M16-02-000	M16-02-M00	M16-02-S00	M16-02-X00
	3/8	M16-03-000	M16-03-M00	M16-03-S00	M16-03-X00
	1/2	M16-04-000	M16-04-M00	M16-04-S00	M16-04-X00
Automatic Drain	1/4	M16-02-F00	M16-02-FM0	M16-02-FS0	—
	3/8	M16-03-F00	M16-03-FM0	M16-03-FS0	—
	1/2	M16-04-F00	M16-04-FM0	M16-04-FS0	—

Options - To order an option supplied with the unit model, add the appropriate coded suffix letter in the designated position of the model number.

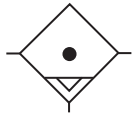
# Coalescing Filter M28

= "Most Popular"

B  
Filters, Regulators, Lubricators



Coalescing Filter



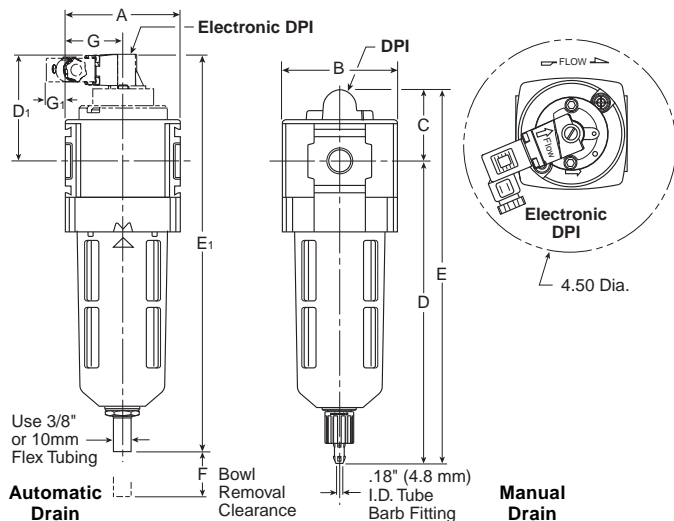
Auto Drain



**M28-03-CG00**

## Features

- High-efficiency Removal of Water, Oil Aerosols, and Solid Particulate Contaminants Down to 0.01 ppm / wt with Minimum Pressure Drop
- Modern Design and Appearance
- Light Weight
- High Flow Capacity
- Bowl Guard
- Quick-disconnect Bowl



## Specifications

Flow Capacity*	3/8	82 SCFM (38.7 dm <sup>3</sup> /s)
	1/2	90 SCFM (42.5 dm <sup>3</sup> /s)
	3/4	98 SCFM (46.3 dm <sup>3</sup> /s)
Maximum Supply Pressure	Plastic Bowl	150 PSIG (10.3 bar) <sup>†</sup>
	Metal Bowl	150 PSIG (10.3 bar) <sup>†</sup>
Operating Temperature	Plastic Bowl	-13° to 125°F (-25° to 52°C)
	Metal Bowl	-13° to 150°F (-25° to 65.5°C)
Port Size	NPT / BSPP-G 3/8, 1/2, 3/4	
Bowl Capacity	2.87 oz	
Standard Filtration	Micron	(B) 0.5, (C) 0.01
		(D) 0.003 ppm wt**
Weight	1.7 lb. (0.8 kg)	

\* Inlet pressure 150 PSIG (10.3 bar). Pressure drop 3 PSID (0.2 bar).

\*\* Filtration temperature of 70°F (21°C) @ 100 PSIG (6.9 bar) with typical compressor lubricating oil and protected by Type C filter.

<sup>†</sup> Without pressure indicator—max. supply pressure for metal bowl version is 250 PSIG (17.2 bar)

**"M" Series Coalescing Filters, with Type "B" 0.5 micron elements:** All Wilkerson Type "M" Oil Removal (Coalescing) Filters with Type "B" 0.5 micron elements **exceed ISO Class 2** for maximum particle size and concentration of solid contaminants, and exceed Class 3 on maximum oil content (ppm/wt).

**"M" Series Coalescing Filters, with Type "C" 0.01 micron elements:** All Wilkerson Type "M" Oil Removal (Coalescing) Filters with Type "C" 0.01 micron elements **exceed ISO Class 1** for maximum particle size and concentration of solid contaminants, and exceed Class 1 on maximum oil content (ppm/wt).

**"M" Series Adsorption Filters, with Type "D" 0.003 micron activated carbon elements:** All Wilkerson Type "M" adsorption filters with Type "D" 0.003 micron activated carbon elements **exceed ISO Class 1** on maximum oil content (ppm/wt).

## Materials of Construction

Body	Aluminum	
Body Cap	ABS	
Bowls	Plastic Bowl	Polycarbonate
	Metal Bowl	Aluminum
Filter Element	Type "B", "C"	Borosilicate Cloth
	Type "D"	Activated Carbon
Seals	Nitrile	
Sight Gauge	Metal Bowl	Polyamide (Nylon)

## Dimensions

Models	Inches (mm)	A	B	C	D	D <sub>1</sub>	E	E <sub>1</sub>	F	G	G <sub>1</sub>
Standard Unit M28-XX-CK00		2.90 (74)	2.90 (74)	1.90 (48)	7.35 (187)	—	9.25 (235)	—	2.00 (51)	1.40 (36)	—
Automatic Drain M28-XX-CG00		2.90 (74)	2.90 (74)	1.90 (48)	6.99 (178)	—	9.02 (229)	—	2.00 (51)	1.40 (36)	—
Electronic Differential Pressure Indicator		2.90 (74)	2.90 (74)	—	7.35 (187)	2.68 (68)	—	10.07 (256)	2.00 (51)	1.40 (36)	.43 (11)
Metal Bowl with Sight Gauge / Automatic Drain		2.90 (74)	3.23 (82)	1.90 (48)	6.99 (178)	—	9.02 (229)	—	2.00 (51)	1.40 (36)	—
Metal Bowl with Sight Gauge / Manual Drain		2.90 (74)	3.23 (82)	1.90 (48)	7.35 (187)	—	9.25 (235)	—	2.00 (51)	1.40 (36)	—

= "Most Popular"

### Replacement Bowl Kits

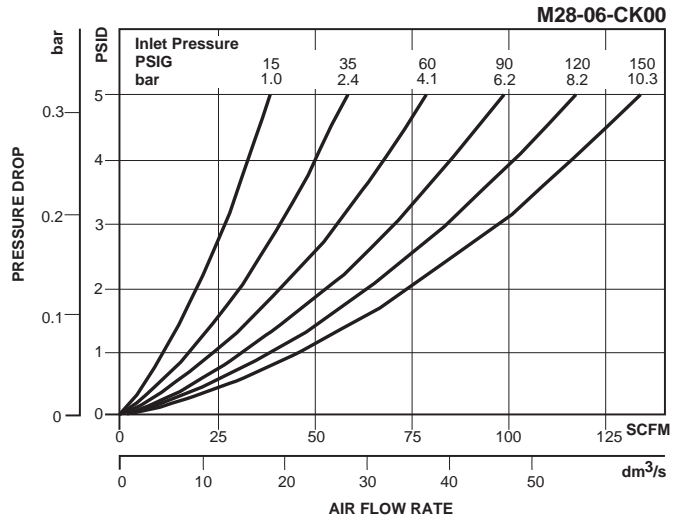
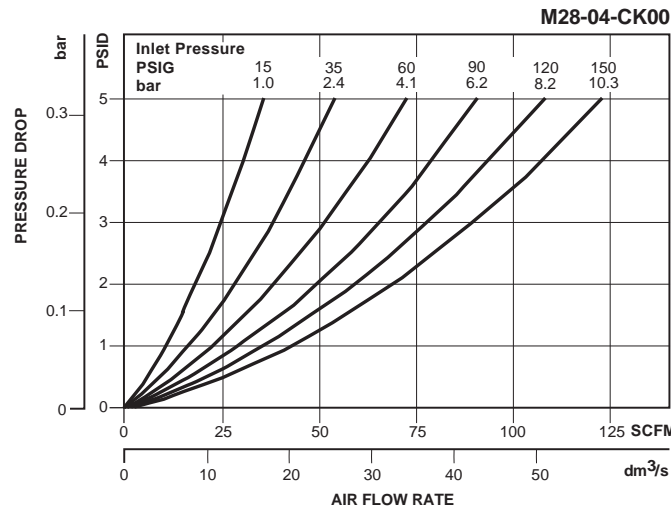
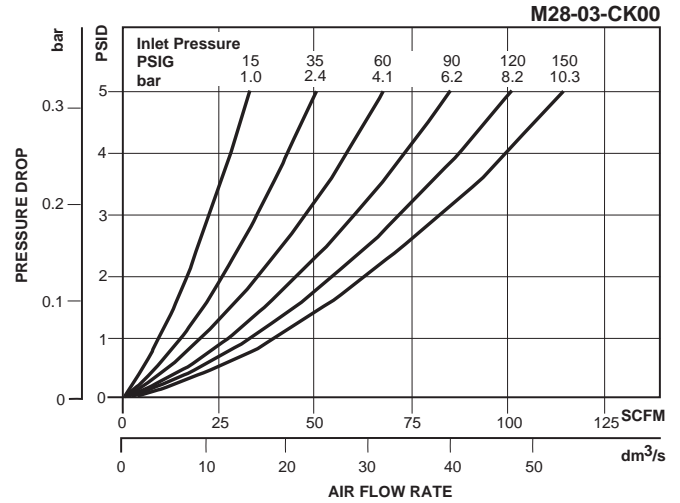
- Metal Bowl with Sight Gauge,  
Automatic Float Drain..... GRP-96-645
- Metal Bowl with Sight Gauge, Manual Drain..... GRP-96-644
- Plastic Bowl –
- Bowl Guard, Auto Drain ..... GRP-96-643
- Bowl Guard, Manual Drain ..... GRP-96-642
- Bowl Guard, Closed Bottom..... GRP-96-652

### Replacement Element Kits

- Type "B", 0.5 Micron..... MSP-96-649
- Type "C", 0.01 Micron..... MTP-96-648
- Type "D", 0.003 Micron Activated Carbon ..... MXP-96-651

### Accessories

- Automatic Drain –
- Fluorocarbon ..... GRP-95-981
- Nitrile ..... GRP-95-973
- DPI Replacement Kit..... DP8-01-000
- Electronic DPI Conversion Kit..... GRP-96-823  
(Converts visual DPI to electronic DPI)
- Electronic DPI Replacement Kit ..... GRP-96-824
- Manual Drain..... GRP-96-685
- Sight Gauge Kit..... GRP-96-825
- Wall Mounting Bracket–
- L-Type ..... GPA-96-605
- T-Type ..... GPA-96-602



### Ordering Information

Model Type	Port Size	Plastic Bowl / Bowl Guard / C Element	Plastic Bowl / Bowl Guard / B Element	Plastic Bowl / Bowl Guard / D Element	Metal Bowl / Sight Gauge / C Element	Metal Bowl / Sight Gauge / B Element	Metal Bowl / Sight Gauge / D Element
<b>Manual Drain</b>	3/8	M28-03-CK00	M28-03-BK00	M28-03-DK00	M28-03-CL00	M28-03-BL00	M28-03-DL00
	1/2	M28-04-CK00	M28-04-BK00	M28-04-DK00	M28-04-CL00	M28-04-BL00	M28-04-DL00
	3/4	M28-06-CK00	M28-06-BK00	M28-06-DK00	M28-06-CL00	M28-06-BL00	M28-06-DL00
<b>Automatic Drain</b>	3/8	M28-03-CG00	M28-03-BG00	N/A	M28-03-CH00	M28-03-BH00	N/A
	1/2	M28-04-CG00	M28-04-BG00	N/A	M28-04-CH00	M28-04-BH00	N/A
	3/4	M28-06-CG00	M28-06-BG00	N/A	M28-06-CH00	M28-06-BH00	N/A

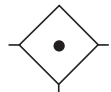
**Options** - To order an option supplied with the unit model, add the appropriate coded suffix letter in the designated position of the model number.

# Coalescing Filter M26

= "Most Popular"

**B**

Filters, Regulators, Lubricators



Coalescing Filter



Auto Drain



**M26-02-000**

## Features

- Manual Drain
- 0.01 Micron Rated Filter Element
- Quick-disconnect Bowl Guard with Integral Plastic Bowl and Safety Latch
- Differential Pressure Indicator

## Specifications

Flow Capacity*	1/4	55.0 SCFM (25.9 dm <sup>3</sup> /s)
	3/8	65.5 SCFM (30.9 dm <sup>3</sup> /s)
	1/2	79.5 SCFM (37.5 dm <sup>3</sup> /s)

Maximum Supply Pressure	Plastic Bowl	150 PSIG (10.3 bar)
	Metal Bowl	200 PSIG (13.8 bar)

Operating Temperature	Plastic Bowl	32° to 125°F (0° to 52°C)
	Metal Bowl	32° to 150°F (0° to 65.5°C)

Standard Filtration	Micron	(B) 0.5, (C) 0.01
		(D) 0.003 ppm / wt**

Port Size	NPT / BSPP-G	1/4, 3/8, 1/2
-----------	--------------	---------------

Bowl Capacity	1.7 oz
---------------	--------

Weight	2.4 lb. (1.1 kg)
--------	------------------

\* Inlet pressure 150 PSIG (10.3 bar). Pressure drop of 3 PSID (0.2 bar).

\*\* Filtration temperature of 70°F (21°C) @100 PSIG (6.9 bar) with typical compressor lubricating oil and protected by Type "C" filter.

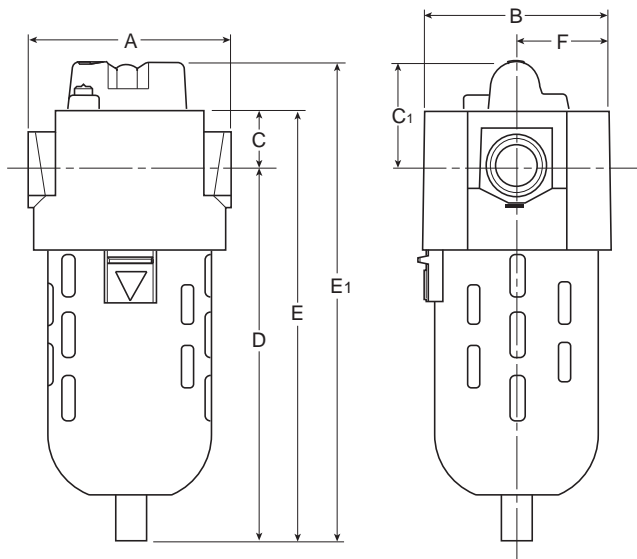
**"M" Series Coalescing Filters, with Type "B" 0.5 micron elements:** All Wilkerson Type "M" Oil Removal (Coalescing) Filters with Type "B" 0.5 micron elements **exceed ISO Class 2** for maximum particle size and concentration of solid contaminants, and exceed Class 3 on maximum oil content (ppm/wt).

**"M" Series Coalescing Filters, with Type "C" 0.01 micron elements:** All Wilkerson Type "M" Oil Removal (Coalescing) Filters with Type "C" 0.01 micron elements **exceed ISO Class 1** for maximum particle size and concentration of solid contaminants, and exceed Class 1 on maximum oil content (ppm/wt).

**"M" Series Adsorption Filters, with Type "D" 0.003 micron activated carbon elements:** All Wilkerson Type "M" adsorption filters with Type "D" 0.003 micron activated carbon elements **exceed ISO Class 1** on maximum oil content (ppm/wt).

## Materials of Construction

Body	Zinc	
Bowls	Plastic Bowl	Polycarbonate
	Metal Bowl	Zinc
Element Retainer	Brass Stud	
Filter Elements	Type "B", "C"	Borosilicate Cloth
	Type "D"	Activated Carbon
Seals	Fluorocarbon	



## Dimensions

Models	Inches (mm)	A	B	C	C <sub>1</sub>	D	E	E <sub>1</sub>	F
Standard Unit M26-XX-000		3.30 (84)	3.00 (76)	1.00 (25.4)	1.83 (46.5)	6.40 (162.6)	7.40 (188)	8.23 (209)	1.50 (38)
Automatic Drain M26-XX-F00		3.30 (84)	3.00 (76)	1.00 (25.4)	1.83 (46.5)	6.54 (166)	7.54 (191.5)	8.37 (212.5)	1.50 (38)

= "Most Popular"

### Replacement Bowl Kits

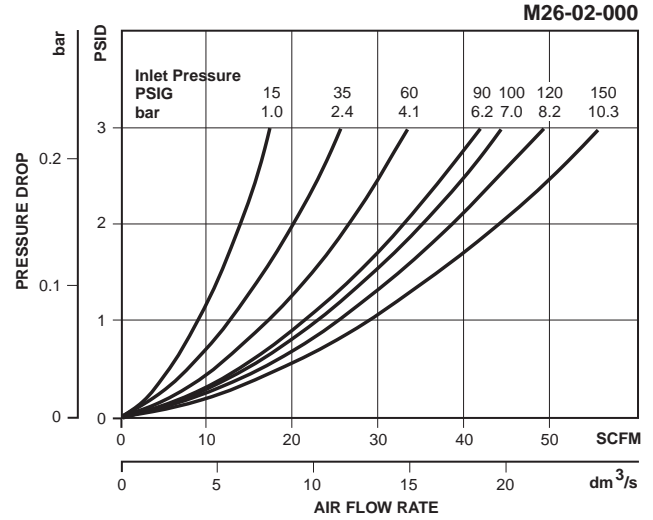
- Metal Bowl –  
 Manual Drain ..... GRP-95-930  
 Auto Drain..... GRP-95-960
- Plastic Bowl –  
 Manual Drain ..... GRP-95-929  
 Bowl Guard, Manual Drain..... GRP-95-935  
 Bowl Guard, Auto Drain ..... GRP-95-948

### Replacement Element Kits

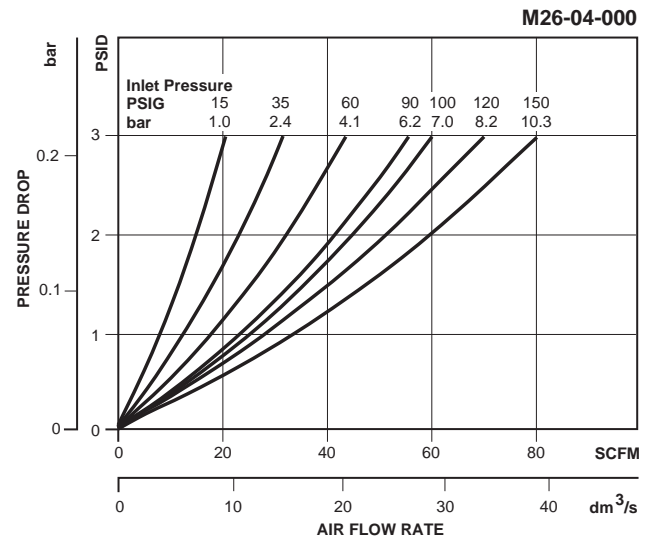
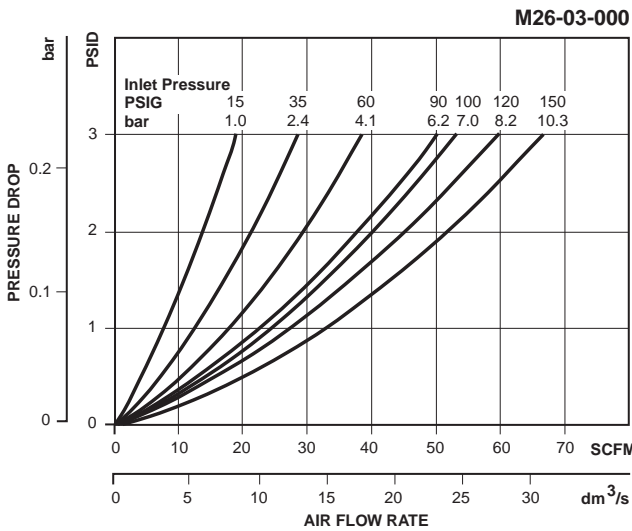
- Type "B", 0.5 Micron..... MSP-95-989  
 Type "C", 0.01 Micron..... MTP-95-549  
 Type "D", Oil Vapor Removing..... MXP-95-540

### Accessories

- Automatic Mechanical Drain..... GRP-95-973  
 Cap, Differential Pressure Indicator –  
 For pressures over 150 PSIG..... GRP-95-020  
 Differential Pressure Indicator ..... DP2-02-000  
 Manual Flex-Tip..... FRP-95-610  
 Sight Gauge Kit..... GRP-95-079  
 Wall Mounting Bracket, L-Type ..... GPA-95-946



**B**  
Filters, Regulators, Lubricators



### Ordering Information

Model Type	Port Size	Polycarbonate Bowl / Bowl Guard / "C" Element	Metal Bowl / "C" Element	Polycarbonate Bowl / Bowl Guard / "B" Element	Polycarbonate Bowl / Bowl Guard / "D" Element (No DPI)
Manual Drain	1/4	M26-02-000	M26-02-M00	M26-02-S00	M26-02-X00
	3/8	M26-03-000	M26-03-M00	M26-03-S00	M26-03-X00
	1/2	M26-04-000	M26-04-M00	M26-04-S00	M26-04-X00
Automatic Drain	1/4	M26-02-F00	M26-02-FM0	M26-02-FS0	—
	3/8	M26-03-F00	M26-03-FM0	M26-03-FS0	—
	1/2	M26-04-F00	M26-04-FM0	M26-04-FS0	—

Options - To order an option supplied with the unit model, add the appropriate coded suffix letter in the designated position of the model number.

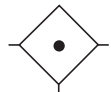


# Coalescing Filter M21

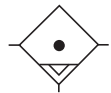
= "Most Popular"



**M21-03-000**



Coalescing Filter



Auto Drain

**B**

Filters, Regulators, Lubricators

## Features

- Manual Drain
- 0.01 Micron Rated Filter Element
- Quick-disconnect Bowl Guard with Integral Plastic Bowl and Safety Latch
- Differential Pressure Indicator

## Specifications

Flow Capacity*	3/8	95.4 SCFM (45.0 dm <sup>3</sup> /s)
Maximum Supply Pressure	Plastic Bowl	150 PSIG (10.3 bar)
Operating Temperature	Plastic Bowl	32° to 125°F (0° to 52°C)
Port Size	NPT / BSPP-G	3/8
Bowl Capacity		3.9 oz
Standard Filtration	Micron	(B) 0.5, (C) 0.01 (D) 0.003 ppm / wt**
Weight		3.7 lb. (1.68 kg)

\* Inlet pressure 150 PSIG (10.3 bar). Pressure drop of 3 PSID (0.2 bar).

\*\* Filtration temperature of 70°F (21°C) @100 PSIG (6.9 bar) with typical compressor lubricating oil and protected by Type "C" filter.

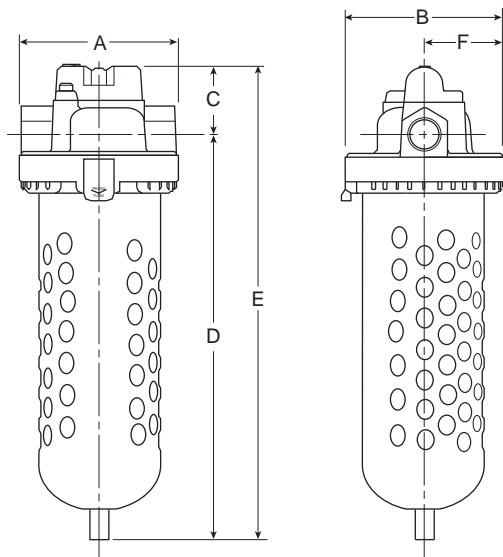
**"M" Series Coalescing Filters, with Type "B" 0.5 micron elements:** All Wilkerson Type "M" Oil Removal (Coalescing) Filters with Type "B" 0.5 micron elements **exceed ISO Class 2** for maximum particle size and concentration of solid contaminants, and exceed Class 3 on maximum oil content (ppm/wt).

**"M" Series Coalescing Filters, with Type "C" 0.01 micron elements:** All Wilkerson Type "M" Oil Removal (Coalescing) Filters with Type "C" 0.01 micron elements **exceed ISO Class 1** for maximum particle size and concentration of solid contaminants, and exceed Class 1 on maximum oil content (ppm/wt).

**"M" Series Adsorption Filters, with Type "D" 0.003 micron activated carbon elements:** All Wilkerson Type "M" adsorption filters with Type "D" 0.003 micron activated carbon elements **exceed ISO Class 1** on maximum oil content (ppm/wt).

## Materials of Construction

Body		Zinc
Bowl		Polycarbonate
Element Retainer		Brass Stud
Filter Elements	Type "B", "C" Type "D"	Borosilicate Cloth Activated Carbon
Seals		Fluorocarbon



## Dimensions

Models	Inches (mm)	A	B	C	D	E	F
Standard Unit M21-03-000		3.70 (94)	3.79 (96.5)	1.70 (43.2)	9.20 (233.7)	10.90 (276.9)	1.89 (48.1)
Automatic Drain M21-03-F00		3.70 (94)	3.79 (96.5)	1.70 (43.2)	9.34 (237)	11.04 (280)	1.89 (48.1)

= "Most Popular"

### Replacement Bowl Kits

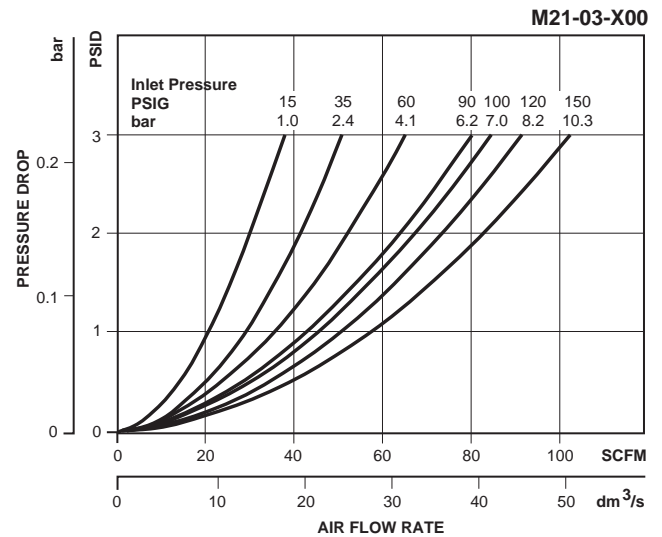
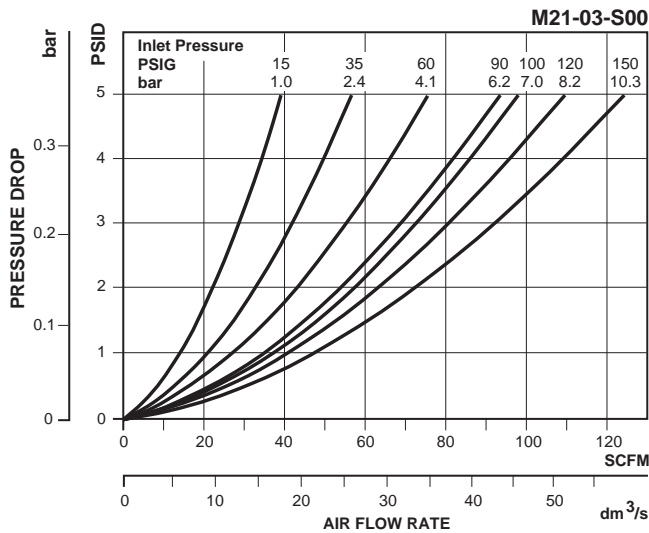
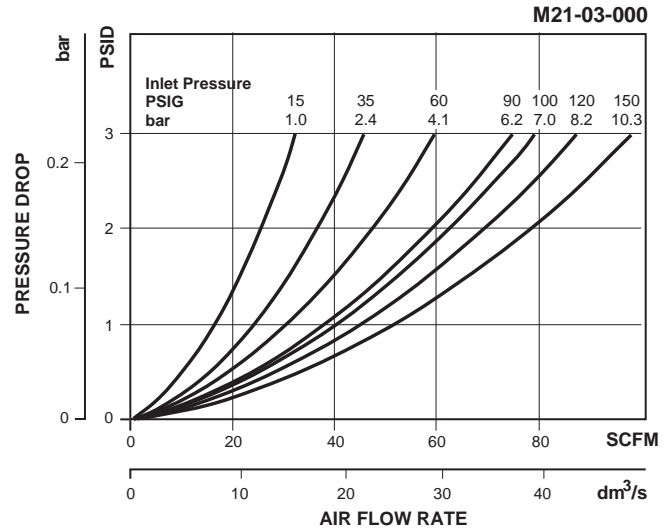
- Plastic Bowl –
- Bowl Guard, Manual Drain ..... FRP-95-722
- Bowl Guard, Automatic Drain ..... MRP-95-722

### Replacement Element Kits

- Type "B", 0.5 Micron ..... MSP-95-990
- Type "C", 0.01 Micron ..... MTP-95-550
- Type "D", Oil Vapor Removing ..... MXP-95-537

### Accessories

- Automatic Drain ..... GRP-95-973
- Cap, Differential Pressure Indicator –
- For pressures over 150 PSIG ..... GRP-95-020
- Differential Pressure Indicator ..... DP2-02-000
- Manual Flex-Tip ..... FRP-95-610
- Wall Mounting Bracket, U-bolt Pipe Clamp ..... GRP-95-734



**B**  
Filters, Regulators, Lubricators

### Ordering Information

Model Type	Port Size	Polycarbonate Bowl / Bowl Guard / "C" Element
Manual Drain	3/8	M21-03-000
Automatic Drain	3/8	M21-03-F00

Options - To order an option supplied with the unit model, add the appropriate coded suffix letter in the designated position of the model number.

# Coalescing Filter M90

   = "Most Popular"



- Extended high efficiency filter element provides greater filtration surface area.
- Integral 3/4" or 1" ports (BSPP & NPT)
- Removes liquid aerosols and sub micron particles
- Oil free air for critical applications, such as air gauging, pneumatic instrumentation and control
- Adsorber activated carbon element removes oil vapors and most hydrocarbons
- Robust but lightweight aluminum construction

**Notes:** To optimize the life of the coalescing element, it is advisable to install a F90 pre-filter with a 5 micron element upstream of the coalescing filter.

To optimize the life of the adsorber element, it is advisable to install a 90 Series coalescing 0.01 micron filter upstream of the adsorber filter.

## Options

M90 - 0 6 - C L 0 0

Series	Thread type*	Port size	Element	Bowl / drain type
Coalescing Filter <b>M90</b>	NPT <b>0</b> BSPP C	3/4 <b>6</b> 1 8	C 0.01 micron element (with DPI optional) D Adsorber	H Metal bowl / sight gauge & auto drain L Metal bowl / sight gauge / manual & semi auto drain

\*Note: For 1-1/2" ported unit, please order P3YKA\*BCP port block kit separately.  
**Bold items are most common.**

## Ordering information

Port size	Description	Flow <sup>‡</sup> scfm	Max. bar (psig)	Min temp °C (°F)	Max temp °C (°F)	Bowl capacity cm <sup>3</sup> (oz)	Height mm (inches)	Width mm (inches)	Depth mm (inches)	Weight kg (lb)	Part number <sup>†</sup>
3/4"	Coalescing filter 0.01 micron, combined manual / semi auto drain	275	17.5 (254)	-10 (14)	60 (140)	130 (4.4)	340 (13.4)	90 (3.5)	94 (3.7)	1.6 (3.5)	<b>M90-06-CL00</b>
3/4"	Coalescing filter 0.01 micron, auto drain	275	17.5 (254)	-10 (14)	60 (140)	130 (4.4)	340 (13.4)	90 (3.5)	94 (3.7)	1.6 (3.5)	M90-06-CH00
1"	Coalescing filter 0.01 micron, combined manual / semi auto drain	307	17.5 (254)	-10 (14)	60 (140)	130 (4.4)	340 (13.4)	90 (3.5)	94 (3.7)	1.6 (3.5)	<b>M90-08-CL00</b>
1"	Coalescing filter 0.01 micron, auto drain	307	17.5 (254)	-10 (14)	60 (140)	130 (4.4)	340 (13.4)	90 (3.5)	94 (3.7)	1.6 (3.5)	M90-08-CH00

<sup>†</sup> Standard part numbers shown in bold. For other models refer to Options chart above.

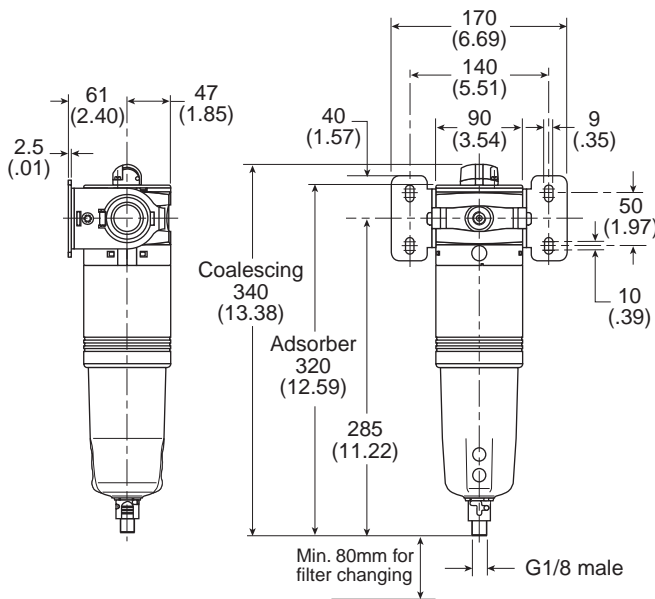
<sup>‡</sup> Flow with 6.3 bar (91.4 psig) inlet pressure and 0.5 (7.3 psig) pressure drop.

**Specifications**

Fluid	Compressed air
Maximum inlet pressure*	17.5 bar (254 psig)
Temperature range*	-10°C to 60°C (14°F to 140°F)
Media specifications (Coalescer):	
Coalescing efficiency	99.97% (0.3 to 0.6 micron particles)
Max. oil carryover	0.008 mg/m <sup>3</sup>
Typical flow element @	0.01 micron element
6.3 bar (91.4 psig) inlet pressure and	1" port
0.5 bar (7.3 psig) pressure drop	307 scfm
Media specifications (Adsorber):	
Max. oil carryover (PPM w/w)	0.008 mg/m <sup>3</sup>
Manual / semi-auto drain	Closed at 0.8 bar (11.6 psig) G1/8 thread male
Auto drain bowl pressure to close drain	0.8 bar (11.6 psig)
Operating range	0.8 bar (11.6 psig) to manual override facility
Bowl capacity	130 cm <sup>3</sup> (4.4 US oz)

\* Air supply must be dry enough to avoid ice formation at temperatures below 2°C (35.6°F).

**Dimensions mm (inches)**



**Service kits**

Description	Part number
0.01 micron element kit	<b>P3YKA00ESC</b>
Adsorber element kit	<b>P3YKA00ESA</b>
Bowl kit with combined manual / semi auto drain	<b>P3YKA00BSC</b>
Bowl kit with auto drain	<b>P3YKA00BSA</b>
Differential pressure indicator kit	<b>P3YKA00RQ</b>

**Material specifications**

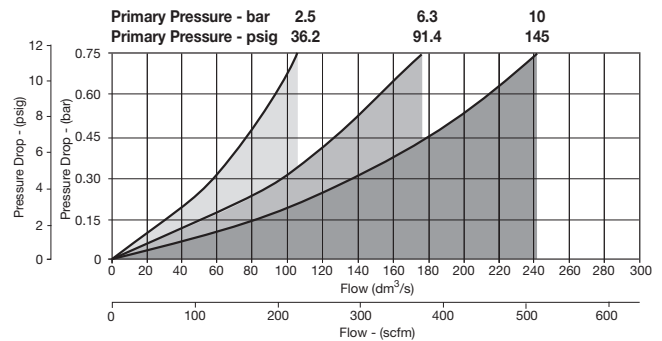
Body	Aluminum
Sight glass	Polypropylene
Filter cover	ABS
Coalescing element	Borosilicate & nano fibers
Top & bottom end cap (Coalescing)	Aluminum
Adsorber element	Activated carbon
Top & bottom end cap (Adsorber)	Glass filled nylon
Support cylinders	Grade 430 stainless steel
Support media	Polypropylene
Anti re-entrainment barrier	Polyester
Encapsulate	Epoxy resin / hardener
Seals	Nitrile NBR
Drains	Manual / semi-auto: Acetal Automatic: PA / Ø 10mm brass connection
Differential pressure indicator	
Body	Acetal
Internal parts	Acetal
Spring	Stainless steel
Seals	Nitrile NBR
Support plate	ABS
Screws	Steel / zinc plated

**B**

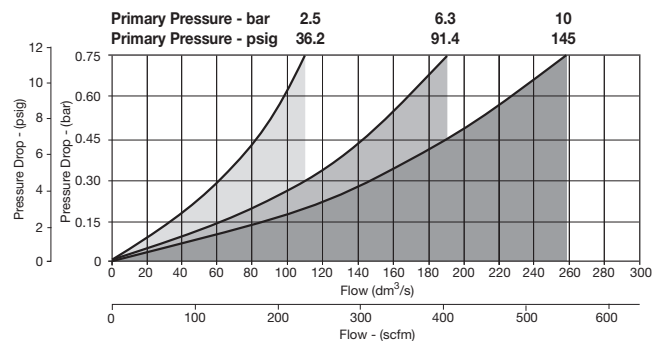
Filters, Regulators, Lubricators

**Flow characteristics**

**(3/4") 0.01 Micron Coalescing Filter Saturated**



**(1") 0.01 Micron Coalescing Filter Saturated**

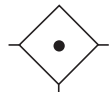


# Coalescing Filter M30

= "Most Popular"

**B**

Filters, Regulators, Lubricators



Coalescing Filter



Auto Drain



**M30-04-000**

## Features

- Manual Drain
- 0.01 Micron Rated Filter Element
- Quick-disconnect Bowl Guard with Integral Plastic Bowl and Safety Latch
- Differential Pressure Indicator

## Specifications

Flow Capacity*	1/2	123 SCFM (58.2 dm <sup>3</sup> /s)
	3/4	173 SCFM (81.0 dm <sup>3</sup> /s)
	1	203 SCFM (96.0 dm <sup>3</sup> /s)
Maximum Supply Pressure	Plastic Bowl	150 PSIG (10.3 bar)
	Metal Bowl	200 PSIG (13.8 bar)
Operating Temperature	Plastic Bowl	32° to 125°F (0° to 52°C)
	Metal Bowl	32° to 150°F (0° to 65.5°C)
Port Size	NPT / BSPP-G 1/2, 3/4, 1	
Bowl Capacity	2.0 oz	
Standard Filtration	Micron	(B) 0.5, (C) 0.01 (D) 0.003 ppm / wt**

Weight 5.4 lb. (2.4 kg)

\* Inlet pressure 150 PSIG (10.3 bar). Pressure drop of 3 PSID (0.2 bar).

\*\* Filtration temperature of 70°F (21°C) @100 PSIG (6.9 bar) with typical compressor lubricating oil and protected by Type "C" filter.

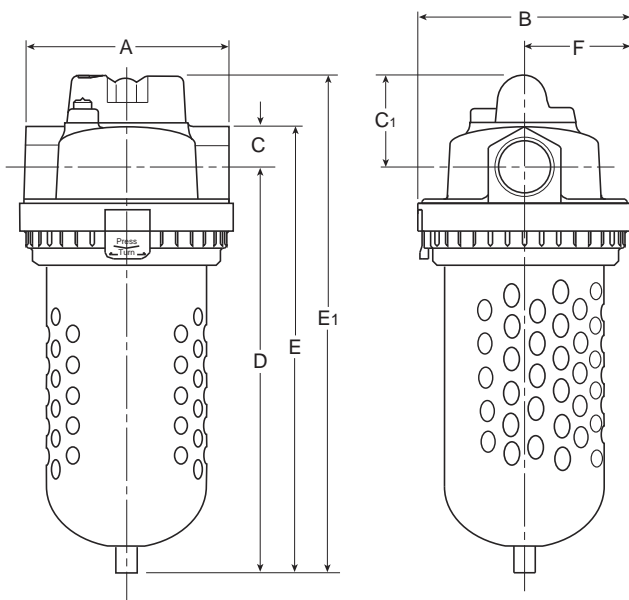
**"M" Series Coalescing Filters, with Type "B" 0.5 micron elements:** All Wilkerson Type "M" Oil Removal (Coalescing) Filters with Type "B" 0.5 micron elements **exceed ISO Class 2** for maximum particle size and concentration of solid contaminants, and exceed Class 3 on maximum oil content (ppm/wt).

**"M" Series Coalescing Filters, with Type "C" 0.01 micron elements:** All Wilkerson Type "M" Oil Removal (Coalescing) Filters with Type "C" 0.01 micron elements **exceed ISO Class 1** for maximum particle size and concentration of solid contaminants, and exceed Class 1 on maximum oil content (ppm/wt).

**"M" Series Adsorption Filters, with Type "D" 0.003 micron activated carbon elements:** All Wilkerson Type "M" adsorption filters with Type "D" 0.003 micron activated carbon elements **exceed ISO Class 1** on maximum oil content (ppm/wt).

## Materials of Construction

Body	Zinc	
Bowls	Plastic Bowl	Polycarbonate
	Metal Bowl	Aluminum
Element Retainer	Brass Stud	
Filter Elements	Type "B", "C"	Borosilicate Cloth
	Type "D"	Activated Carbon
Seals	Fluorocarbon	



## Dimensions

Models	Inches (mm)	A	B	C	C <sub>1</sub>	D	E	E <sub>1</sub>	F
Standard Unit M30-XX-000		4.61 (117)	4.80 (122)	.94 (24)	1.77 (44.9)	9.13 (232)	10.07 (255.8)	10.90 (270)	2.40 (61)
Automatic Drain M30-XX-F00		4.61 (117)	4.80 (122)	.94 (24)	1.77 (44.9)	9.27 (235)	10.21 (259)	11.04 (273.5)	2.40 (61)
Metal Bowl M30-XX-M00		4.61 (117)	4.80 (122)	.94 (24)	1.77 (44.9)	8.73 (221.7)	9.67 (245.6)	10.50 (267)	2.40 (61)

= "Most Popular"

### Replacement Bowl Kits

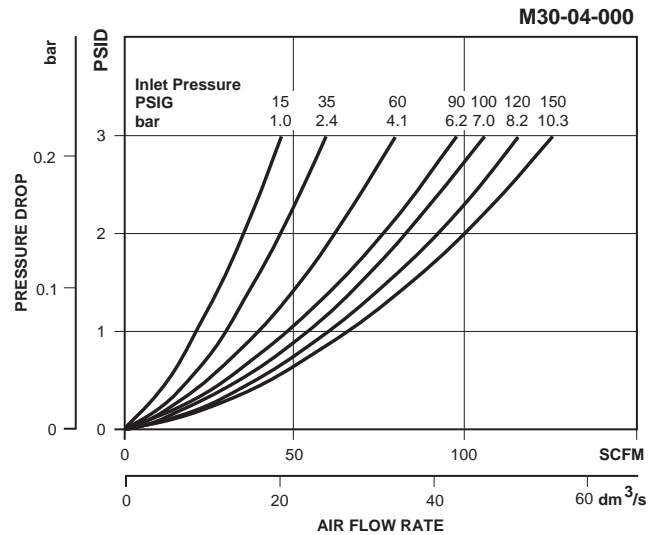
- Metal Bowl –  
 Manual Drain ..... FRP-95-593  
 Auto Drain..... GRP-95-970
- Plastic Bowl –  
 Manual Drain ..... FRP-96-315  
 Bowl Guard, Manual Drain ..... FRP-95-832  
 Bowl Guard, Auto Drain ..... FRP-95-775

### Replacement Element Kits

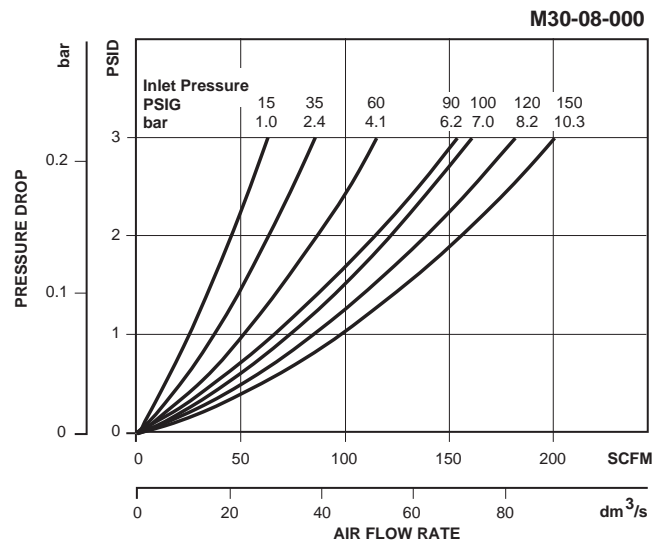
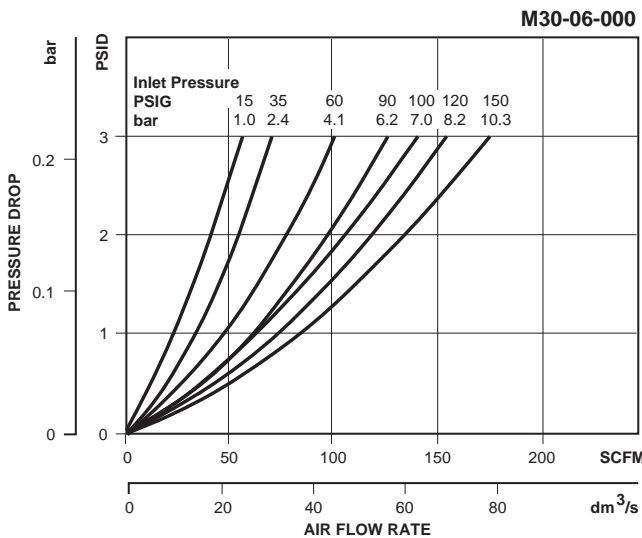
- Type "B", 0.5 Micron..... MSP-95-992  
 Type "C", 0.01 Micron..... MTP-95-551  
 Type "D", Oil Vapor Removing..... MXP-95-532

### Accessories

- Automatic Mechanical Drain ..... GRP-95-973  
 Cap, Differential Pressure Indicator –  
 For pressures over 150 PSIG..... GRP-95-020  
 Differential Pressure Indicator ..... DP2-02-000  
 Manual Flex-Tip..... FRP-95-610  
 Sight Gauge Kit..... LRP-95-771  
 Wall Mounting Bracket, U-Bolt Pipe Clamp..... GRP-95-734



**B**  
Filters, Regulators, Lubricators



### Ordering Information

Model Type	Port Size	Polycarbonate Bowl / Bowl Guard / "C" Element	Metal Bowl / "C" Element	Polycarbonate Bowl / Bowl Guard / "B" Element	Polycarbonate Bowl / Bowl Guard / "D" Element (No DPI)
Manual Drain	1/2	M30-04-000	M30-04-M00	M30-04-S00	M30-04-X00
	3/4	M30-06-000	M30-06-M00	M30-06-S00	M30-06-X00
	1	M30-08-000	M30-08-M00	M30-08-S00	M30-08-X00
Automatic Drain	1/2	M30-04-F00	M30-04-FM0	M30-04-FS0	—
	3/4	M30-06-F00	M30-06-FM0	M30-06-FS0	—
	1	M30-08-F00	M30-08-FM0	M30-08-FS0	—

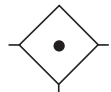
Options - To order an option supplied with the unit model, add the appropriate coded suffix letter in the designated position of the model number.

# Coalescing Filter M31

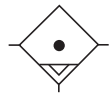
= "Most Popular"

**B**

Filters, Regulators, Lubricators



Coalescing Filter



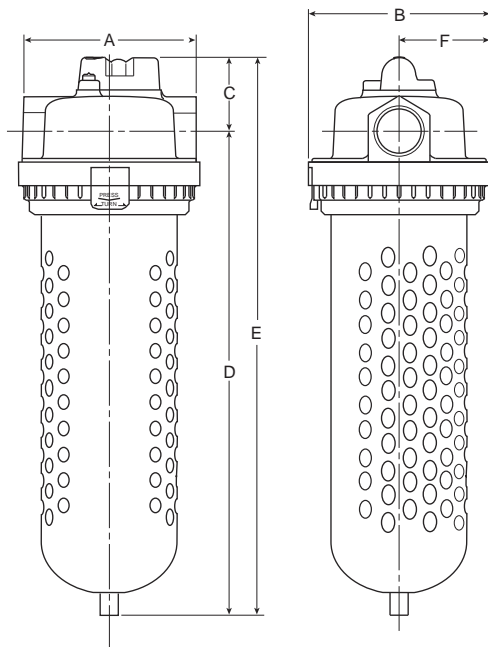
Auto Drain



**M31-06-000**

## Features

- Manual Drain
- 0.01 Micron Rated Filter Element
- Quick-disconnect Bowl Guard with Integral Plastic Bowl and Safety Latch
- Differential Pressure Indicator



## Specifications

Flow Capacity*	3/4 1	215 SCFM (101.4 dm <sup>3</sup> /s) 277 SCFM (130.8 dm <sup>3</sup> /s)
Maximum Supply Pressure	Plastic Bowl Metal Bowl	150 PSIG (10.3 bar) 200 PSIG (13.8 bar)
Operating Temperature	Plastic Bowl Metal Bowl	32° to 125°F (0° to 52°C) 32° to 150°F (0° to 65.5°C)
Port Size	NPT / BSPP-G	3/4, 1
Bowl Capacity		2.3 oz
Standard Filtration	Micron	(B) 0.5, (C) 0.01 (D) 0.003 ppm / wt**
Weight		6.76 lb. (3.1 kg)

\* Inlet pressure 150 PSIG (10.3 bar). Pressure drop of 3 PSID (0.2 bar).

\*\* Filtration temperature of 70°F (21°C) @100 PSIG (6.9 bar) with typical compressor lubricating oil and protected by Type "C" filter.

**"M" Series Coalescing Filters, with Type "B" 0.5 micron elements:** All Wilkerson Type "M" Oil Removal (Coalescing) Filters with Type "B" 0.5 micron elements **exceed ISO Class 2** for maximum particle size and concentration of solid contaminants, and exceed Class 3 on maximum oil content (ppm/wt).

**"M" Series Coalescing Filters, with Type "C" 0.01 micron elements:** All Wilkerson Type "M" Oil Removal (Coalescing) Filters with Type "C" 0.01 micron elements **exceed ISO Class 1** for maximum particle size and concentration of solid contaminants, and exceed Class 1 on maximum oil content (ppm/wt).

**"M" Series Adsorption Filters, with Type "D" 0.003 micron activated carbon elements:** All Wilkerson Type "M" adsorption filters with Type "D" 0.003 micron activated carbon elements **exceed ISO Class 1** on maximum oil content (ppm/wt).

## Materials of Construction

Body		Zinc
Bowls	Plastic Bowl Metal Bowl	Polycarbonate Aluminum
Element Holder		Brass Stud
Filter Elements	Type "B", "C" Type "D"	Borosilicate Cloth Activated Carbon
Seals		Fluorocarbon

## Dimensions

Models	Inches (mm)	A	B	C	D	E	F
Standard Unit M31-XX-000		4.61 (117)	4.80 (122)	1.90 (48)	13.00 (330)	14.90 (378)	2.40 (61)
Automatic Drain M31-XX-F00		4.61 (117)	4.80 (122)	1.90 (48)	13.14 (333.7)	15.04 (382)	2.40 (61)
Metal Bowl M31-XX-M00		4.61 (117)	4.80 (122)	1.90 (48)	13.10 (332.7)	15.00 (381)	2.40 (61)

= "Most Popular"

### Replacement Bowl Kits

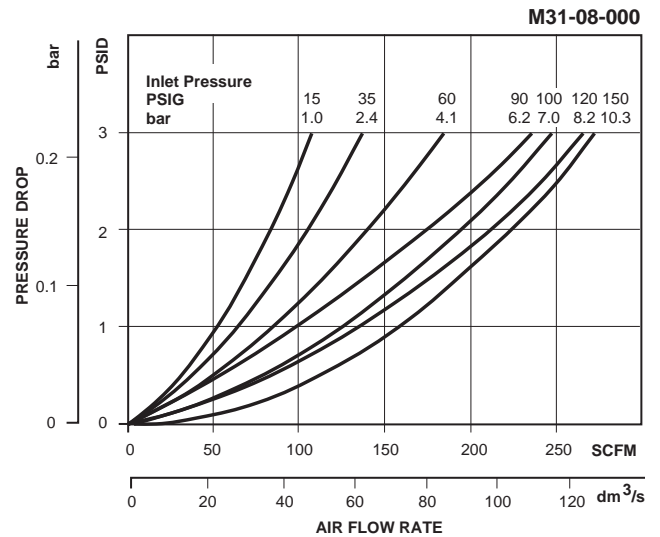
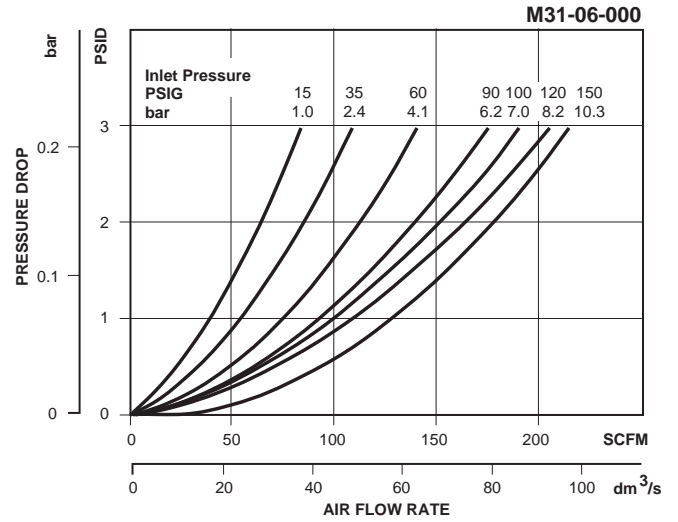
- Metal Bowl –
  - Manual Drain ..... MRP-95-939
- Plastic Bowl –
  - Bowl Guard, Manual Drain ..... MRP-95-938
  - Bowl Guard, Auto Drain ..... MRP-95-941
  - Manual Drain ..... MRP-95-940

### Replacement Element Kits

- Type "B", 0.5 Micron ..... MSP-95-993
- Type "C", 0.01 Micron ..... MTP-95-521
- Type "D", Oil Vapor Removing ..... MXP-95-522

### Accessories

- Automatic Mechanical Drain ..... GRP-95-973
- Cap, Differential Pressure Indicator –
  - For pressures over 150 PSIG ..... GRP-95-020
- Differential Pressure Indicator ..... DP2-02-000
- Manual Flex-Tip ..... FRP-95-610
- Wall Mounting Bracket, U-bolt Pipe Clamp ..... GRP-95-734



**B**  
Filters, Regulators, Lubricators

### Ordering Information

Model Type	Port Size	Polycarbonate Bowl / Bowl Guard / "C" Element	Metal Bowl / "C" Element	Polycarbonate Bowl / Bowl Guard / "B" Element	Polycarbonate Bowl / Bowl Guard / "D" Element (No DPI)
Manual Drain	3/4	M31-06-000	M31-06-M00	M31-06-S00	M31-06-X00
	1	M31-08-000	M31-08-M00	M31-08-S00	M31-08-X00
Automatic Drain	3/4	M31-06-F00	M31-06-FM0	M31-06-FS0	—
	1	M31-08-F00	M31-08-FM0	M31-08-FS0	—

Options - To order an option supplied with the unit model, add the appropriate coded suffix letter in the designated position of the model number.

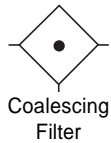


# Coalescing Filter M32

= "Most Popular"

**B**

Filters, Regulators, Lubricators



**M32-08-000**

## Features

- Heavy-duty Cast Aluminum Housings to Withstand Operating Pressures Up to 300 PSIG †
- Differential Pressure Indicator to Eliminate the Guesswork of Element Replacement
- Manual Drain
- High-flow Filter Elements: Coalescing, 1 Micron and 0.01 Micron

## Specifications

Flow Capacity*	1	419 SCFM (197 dm <sup>3</sup> /s)
Maximum Supply Pressure	without DP2 with DP2	300 PSIG (20.7 bar)† 150 PSIG (10.3 bar)
Operating Temperature	32° to 150°F (° to 65.5°C)	
Port Size	NPT / BSPP-G	1, 1-1/4
Bowl Capacity	80.7 oz	
Standard Filtration	Micron	(B1) 1.0, (C) 0.01 (D) 0.003 ppm / wt**
Weight	13 lb. (5.9 kg)	

\* Inlet pressure 150 PSIG (10.3 bar). Pressure drop of 3 PSID (0.2 bar).  
 \*\* Filtration temperature of 70°F (21°C) @100 PSIG (6.9 bar) with typical compressor lubricating oil and protected by Type "C" filter.  
 † Without Differential Pressure Indicator – Max. supply pressure is 300 PSIG (20.7 bar).

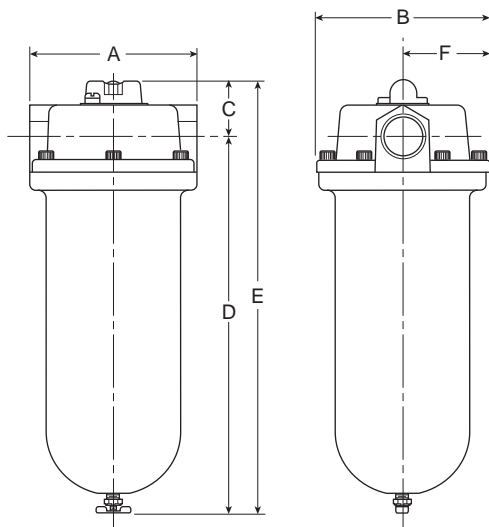
**"M" Series Coalescing Filters, with Type "B1" 1.0 micron elements:**  
 All Wilkerson Type "M" Oil Removal (Coalescing) Filters with Type "B1" 1.0 micron elements **exceed ISO Class 2** for maximum particle size and concentration of solid contaminants, and exceed Class 3 on maximum oil content (ppm/wt).

**"M" Series Coalescing Filters, with Type "C" 0.01 micron elements:**  
 All Wilkerson Type "M" Oil Removal (Coalescing) Filters with Type "C" 0.01 micron elements **exceed ISO Class 1** for maximum particle size and concentration of solid contaminants, and exceed Class 1 on maximum oil content (ppm/wt).

**"M" Series Adsorption Filters, with Type "D" 0.003 micron activated carbon elements:** All Wilkerson Type "M" adsorption filters with Type "D" 0.003 micron activated carbon elements **exceed ISO Class 1** on maximum oil content (ppm/wt).

## Materials of Construction

Body	Aluminum	
Bowls	Aluminum	
Element Retainer	Brass Nut / Steel Stud	
Filter Elements	Type "B1", "C" Type "D"	Borosilicate Cloth Activated Carbon
Seals	Fluorocarbon	



## Dimensions

Models	Inches (mm)	A	B	C	D	E	F
Standard Unit M32-XX-000		6.25 (159)	6.49 (165)	1.95 (50)	13.90 (353)	16.00 (406)	3.25 (83)
Automatic Drain M32-XX-F00		6.25 (159)	6.49 (165)	1.95 (50)	14.04 (356.6)	16.14 (410)	3.25 (83)

= "Most Popular"

### Replacement Bowl Kit

Gasket, Bowl, Fluorocarbon (1 per Kit) ..... GRP-95-288

### Replacement Element Kits

Type "B1", 1.0 Micron ..... MSP-95-873

Type "C", 0.01 Micron ..... MTP-95-559

Type "D", Oil Vapor Removing ..... MXP-95-558

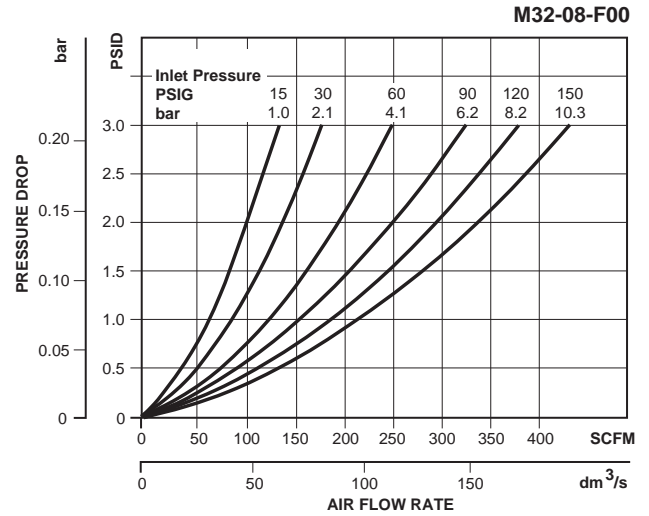
### Accessories

Automatic Mechanical Drain ..... GRP-95-981

Cap, Differential Pressure Indicator –  
For pressures over 150 PSIG, 10.3 bar ..... GRP-95-020

Gauge, Differential Pressure ..... DP3-01-000

Indicator, Differential Pressure ..... DP2-02-000



**B**  
Filters, Regulators, Lubricators

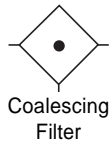
### Ordering Information

Model Type	Port Size	Metal Bowl / "C" Element	Metal Bowl / "B1" Element	Metal Bowl / "D" Element (No DPI)
Manual Drain	1	M32-08-000	M32-08-S00	M32-08-X00
Automatic Drain	1	M32-08-F00	M32-08-FS0	—

Options - To order an option supplied with the unit model, add the appropriate coded suffix letter in the designated position of the model number

# Coalescing Filter M35

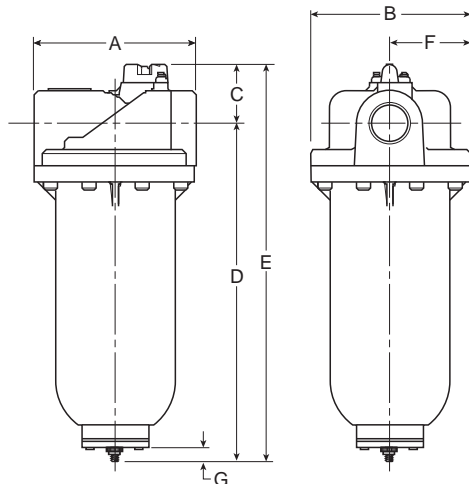
= "Most Popular"



**M35-0B-000**

## Features

- Heavy-duty Cast Aluminum Housings to Withstand Operating Pressures Up to 250 PSIG †
- Differential Pressure Indicator to Eliminate the Guesswork of Element Replacement
- Differential Pressure Gauge Available, Order Separately, Kit DP3-01-000
- Unique Drain Mounting Plate Design Offers Trouble-free Method for Interchanging and Installing External Drains
- High-flow Filter Elements: Coalescing, 1 Micron and 0.01 Micron



## Dimensions

Models	Inches (mm)	A	B	C	D	E	F	G
Standard Unit M35-XX-F00		7.80 (198)	7.75 (197)	2.81 (71)	16.24 (412)	19.07 (484)	3.88 (99)	.55 (14)
Without Automatic Drain M35-XX-000		7.80 (198)	7.75 (197)	2.81 (71)	15.69 (398.5)	18.52 (470)	3.88 (99)	.55 (14)

## Specifications

Flow Capacity*	1-1/2	710 SCFM (335 dm <sup>3</sup> /s)
	2	710 SCFM (335 dm <sup>3</sup> /s)
Maximum Supply Pressure	without DPI and with Pressure Gauge	250 PSIG (17.2 bar)†
	with DPI	150 PSIG (10.3 bar)
Operating Temperature	32° to 150°F (0° to 65.5°C)	
Port Size	NPT / BSPP-G	1-1/2, 2
Bowl Capacity	13.9 oz	
Standard Filtration	Micron	(B1) 1.0, (C) 0.01 (D) 0.003 ppm / wt**
Weight	19.3 lb. (8.7 kg)	

\* Inlet pressure 150 PSIG (10.3 bar). Pressure drop of 3 PSID (0.2 bar).

\*\* Filtration temperature of 70°F (21°C) @100 PSIG (6.9 bar) with typical compressor lubricating oil and protected by Type "C" filter.

† Without Differential Pressure Indicator – Max. supply pressure is 250 PSIG (17.2 bar).

**"M" Series Coalescing Filters, with Type "B1" 1.0 micron elements:** All Wilkerson Type "M" Oil Removal (Coalescing) Filters with Type "B1" 1.0 micron elements **exceed ISO** Class 2 for maximum particle size and concentration of solid contaminants, and exceed Class 3 on maximum oil content (ppm/wt).

**"M" Series Coalescing Filters, with Type "C" 0.01 micron elements:** All Wilkerson Type "M" Oil Removal (Coalescing) Filters with Type "C" 0.01 micron elements **exceed ISO** Class 1 for maximum particle size and concentration of solid contaminants, and exceed Class 1 on maximum oil content (ppm/wt).

**"M" Series Adsorption Filters, with Type "D" 0.003 micron activated carbon elements:** All Wilkerson Type "M" adsorption filters with Type "D" 0.003 micron activated carbon elements **exceed ISO** Class 1 on maximum oil content (ppm/wt).

## Materials of Construction

Body	Aluminum	
Bowls	Aluminum	
Filter Elements	Type "B1", "C" Type "D"	Borosilicate Cloth Activated Carbon
Seals	Fluorocarbon	
Stud	Plated Steel	

**NOTE:** Automatic internal float drain shown is included on M35 filters with F00 suffix only. Models with 000 suffix include drain plate with tapped 1/2 NPT / BSPP-G drain port.

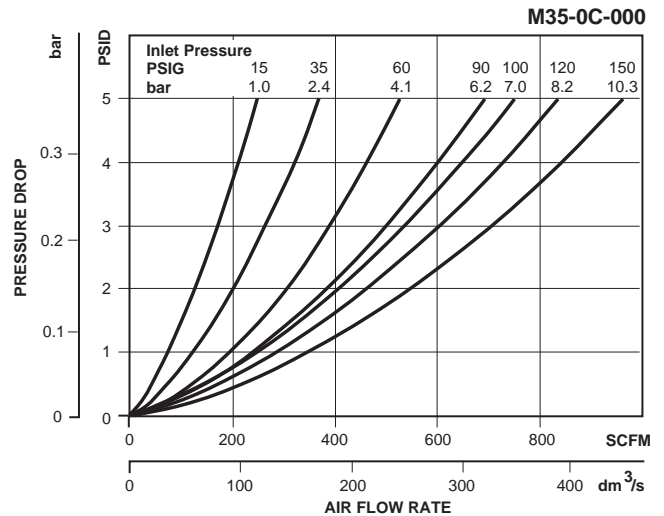
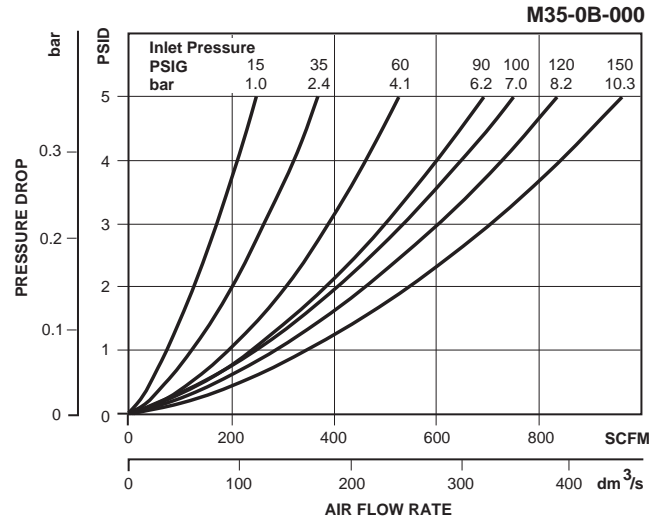
= "Most Popular"

### Replacement Element Kits

- Type "B1", 1.0 Micron ..... MSP-95-502
- Type "C", 0.01 Micron..... MTP-95-502
- Type "D", Oil Vapor Removing ..... MXP-95-502

### Accessories

- Cap, Differential Pressure Indicator –  
(For pressures over 150 PSIG) ..... GRP-95-022
- Drain, Automatic, Internal, Fluorocarbon..... GRP-95-981
- Drain Plate Kit –  
1/2 NPT Tapped Drain Port..... GRP-95-393
- Gauge, Differential Pressure ..... DP3-01-000
- Indicator, Differential Pressure..... DP2-02-001
- Manual Drain Kit  
with 1/2" Drain Plate..... GRP-95-392



**B**  
Filters, Regulators, Lubricators

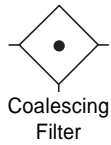
### Ordering Information

Model Type	Port Size	Metal Bowl / "C" Element	Metal Bowl / "B1" Element	Metal Bowl / "D" Element
Manual Drain	1-1/2	M35-0B-000	M35-0B-S00	M35-0B-X00 (Includes 1/2 NPT / BSPP-G M35-0C-X00 Drain Plate)
	2	M35-0C-000	M35-0C-S00	
Automatic Drain	1-1/2	M35-0B-F00	M35-0B-FS0	—
	2	M35-0C-F00	M35-0C-FS0	—

Options - To order an option supplied with the unit model, add the appropriate coded suffix letter in the designated position of the model number.

# Coalescing Filter M43

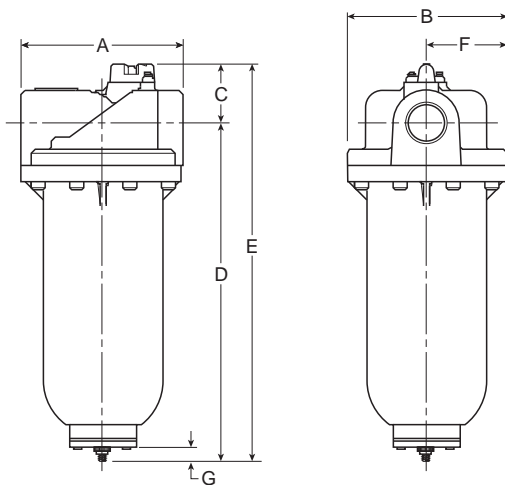
= "Most Popular"



**M43-0E-000**

## Features

- Heavy-duty Cast Aluminum Housings to Withstand Operating Pressures Up to 250 PSIG †
- Differential Pressure Indicator to Eliminate the Guesswork of Element Replacement
- Differential Pressure Gauge Available, Order Separately, Kit DP3-01-000
- Unique Drain Mounting Plate Design Offers Trouble-free Method for Interchanging and Installing External Drains
- High-flow Filter Elements: Coalescing, 1 Micron and 0.01 Micron



## Dimensions

Models	Inches (mm)	A	B	C	D	E	F	G
Standard Unit M43-0E-000		8.94 (227)	9.00 (229)	3.45 (88)	25.96 (660)	29.44 (748)	4.50 (114)	.55 (14)

## Specifications

Flow Capacity*	3	1770 SCFM (800 dm <sup>3</sup> /s)
Maximum Supply Pressure	without DPI and with Pressure Gauge	250 PSIG (17.2 bar)†
	with DPI	150 PSIG (10.3 bar)
Operating Temperature	32° to 150°F (0° to 65.5°C)	
Port Size	NPT / BSPP-G	3
Bowl Capacity	17.2 oz	
Standard Filtration	Micron	(B1) 1.0, (C) 0.01 (D) 0.003 ppm / wt**
Weight	32.8 lb. (14.9 kg)	

\* Inlet pressure 150 PSIG (10.3 bar). Pressure drop of 3 PSID (0.2 bar).

\*\* Filtration temperature of 70°F (21°C) @100 PSIG (6.9 bar) with typical compressor lubricating oil and protected by Type "C" filter.

† Without Differential Pressure Indicator – Max. supply pressure is 250 PSIG (17.2 bar).

**"M" Series Coalescing Filters, with Type "B1" 1.0 micron elements:** All Wilkerson Type "M" Oil Removal (Coalescing) Filters with Type "B1" 1.0 micron elements **exceed ISO Class 2** for maximum particle size and concentration of solid contaminants, and exceed Class 3 on maximum oil content (ppm/wt).

**"M" Series Coalescing Filters, with Type "C" 0.01 micron elements:** All Wilkerson Type "M" Oil Removal (Coalescing) Filters with Type "C" 0.01 micron elements **exceed ISO Class 1** for maximum particle size and concentration of solid contaminants, and exceed Class 1 on maximum oil content (ppm/wt).

**"M" Series Adsorption Filters, with Type "D" 0.003 micron activated carbon elements:** All Wilkerson Type "M" adsorption filters with Type "D" 0.003 micron activated carbon elements **exceed ISO Class 1** on maximum oil content (ppm/wt).

## Materials of Construction

Body	Aluminum	
Bowls	Aluminum	
Filter Elements	Type "B1", "C" Type "D"	Borosilicate Cloth Activated Carbon
Seals	Fluorocarbon	
Stud	Plated Steel	

**NOTE:** Standard filter includes tapped 1/2 NPT / BSPP-G drain plate. To order internal float drain shown, order drain adapter plate GRP-95-391 and automatic drain GRP-95-981.

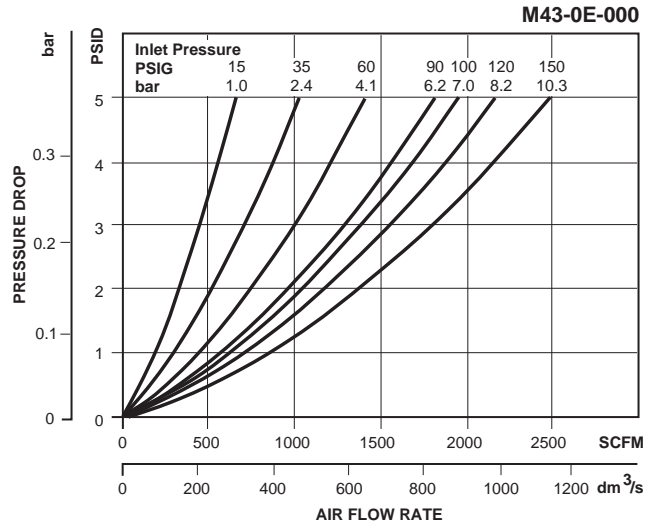
= "Most Popular"

**Replacement Element Kits**

- Type "B1", 1.0 Micron ..... MSP-95-876
- Type "C", 0.01 Micron..... MTP-95-562
- Type "D", Oil Vapor Removing ..... MXP-95-565

**Accessories**

- Cap, Differential Pressure Indicator –  
For pressures over 150 PSIG..... GRP-95-022
- Drain, Automatic, Internal, Fluorocarbon,  
1/8 NPT ..... GRP-95-981
- Drain Plate Kit –  
1/2 NPT tapped drain port ..... GRP-95-393  
5/16 Dia. Drain Port,  
For use with Internal Auto Drain ..... GRP-95-391
- Gauge, Differential Pressure ..... DP3-01-000
- Indicator, Differential Pressure..... DP2-02-001
- Manual Drain Kit  
Includes 1/2" Drain Plate, Manual Drain..... GRP-95-392
- Manual Override for Auto Float Drain –  
GRP-05-981 Required ..... GRP-96-001



**B**  
Filters, Regulators, Lubricators

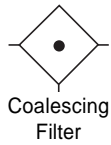
**Ordering Information**

Model Type	Port Size	Metal Bowl / "C" Element	Metal Bowl / "B1" Element	Metal Bowl / "D" Element
M43	3	M43-0E-000	M43-0E-S00	M43-0E-X00 (Includes 1/2 NPT / BSPP-G Drain Plate)

Options - To order an option supplied with the unit model, add the appropriate coded suffix letter in the designated position of the model number.

# Coalescing Filter M45

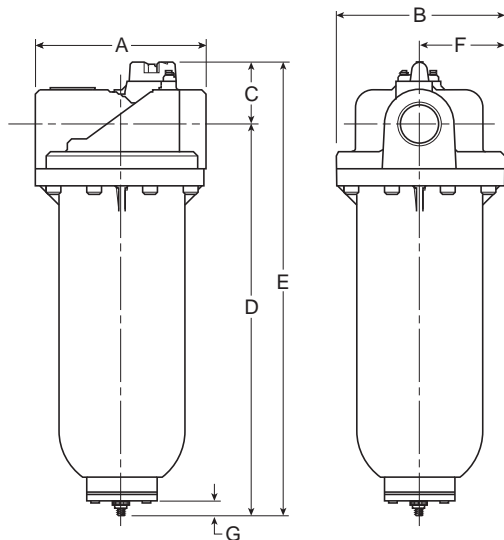
= "Most Popular"



**M45-0E-000**

## Features

- Heavy-duty Cast Aluminum Housings to Withstand Operating Pressures Up to 300 PSIG †
- Differential Pressure Indicator to Eliminate the Guesswork of Element Replacement
- Unique Drain Mounting Plate Design Offers Trouble-free Method for Interchanging and Installing External Drains
- High-flow Filter Elements: Coalescing, 1 Micron and 0.01 Micron



## Specifications

Flow Capacity*	3	2200 SCFM (1000 dm <sup>3</sup> /s)
Maximum Supply Pressure	without DP2 with DP2	300 PSIG (20.7 bar)† 150 PSIG (10.3 bar)
Operating Temperature	32° to 150°F (0° to 65.5°C)	
Port Size	NPT / BSPP-G	3
Bowl Capacity	15 oz	
Standard Filtration	Micron	(B1) 1.0, (C) 0.01 (D) 0.003 ppm / wt**
Weight	39.0 lb. (17.7 kg)	

\* Inlet pressure 150 PSIG (10.3 bar). Pressure drop of 3 PSID (0.2 bar).

\*\* Filtration temperature of 70°F (21°C) @100 PSIG (6.9 bar) with typical compressor lubricating oil and protected by Type "C" filter.

† Without Differential Pressure Indicator – Max. supply pressure is 300 PSIG (20.7 bar).

**"M" Series Coalescing Filters, with Type "B1" 1.0 micron elements:** All Wilkerson Type "M" Oil Removal (Coalescing) Filters with Type "B1" 1.0 micron elements **exceed ISO Class 2** for maximum particle size and concentration of solid contaminants, and exceed Class 3 on maximum oil content (ppm/wt).

**"M" Series Coalescing Filters, with Type "C" 0.01 micron elements:** All Wilkerson Type "M" Oil Removal (Coalescing) Filters with Type "C" 0.01 micron elements **exceed ISO Class 1** for maximum particle size and concentration of solid contaminants, and exceed Class 1 on maximum oil content (ppm/wt).

**"M" Series Adsorption Filters, with Type "D" 0.003 micron activated carbon elements:** All Wilkerson Type "M" adsorption filters with Type "D" 0.003 micron activated carbon elements **exceed ISO Class 1** on maximum oil content (ppm/wt).

## Materials of Construction

Body	Aluminum	
Bowls	Aluminum	
Filter Elements	Type "B1", "C" Type "D"	Borosilicate Cloth Activated Carbon
Seals	Fluorocarbon	
Stud	Plated Steel	

**NOTE:** Standard filter includes tapped 1/2 NPT / BSPP-G drain plate. To order internal float drain shown, order drain adapter plate GRP-95-391 and automatic drain GRP-95-981.

## Dimensions

Models	Inches (mm)	A	B	C	D	E	F	G
Standard Unit M45-XX-000		8.94 (227)	8.88 (225.5)	3.48 (88)	32.52 (826)	36.00 (914)	4.44 (112.8)	.55 (14)

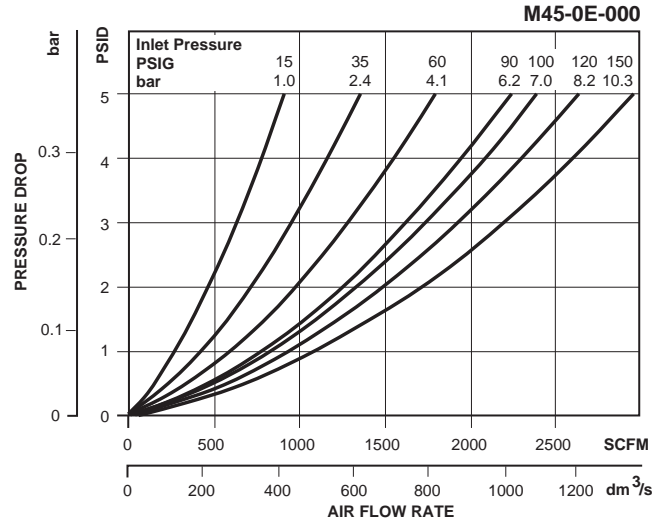
= "Most Popular"

### Replacement Element Kits

- Type "B1", 1.0 Micron ..... MSP-95-500
- Type "C", 0.01 Micron..... MTP-95-500
- Type "D", Oil Vapor Removing ..... MXP-95-500

### Accessories

- Cap, Differential Pressure Indicator –  
For pressures over 150 PSIG..... GRP-95-022
- Drain, Automatic, Internal, Fluorocarbon,  
1/8 NPT ..... GRP-95-981
- Drain Plate Kit –  
1/2 NPT tapped drain port ..... GRP-95-393  
5/16 Dia. Drain Port,  
For use with Internal Auto Drain ..... GRP-95-391
- Gauge, Differential Pressure ..... DP3-01-000
- Indicator, Differential Pressure..... DP2-02-001
- Manual Drain Kit  
Includes 1/2" Drain Plate, Manual Drain..... GRP-95-392
- Manual Override for Auto Float Drain –  
GRP-05-981 Required ..... GRP-96-000



**B**  
Filters, Regulators, Lubricators

### Ordering Information

Model Type	Port Size	Metal Bowl / "C" Element	Metal Bowl / "B1" Element	Metal Bowl / "D" Element
M45	3	M45-0E-000	M45-0E-S00	M45-0E-X00 (Includes 1/2 NPT / BSPP-G Drain Plate)

Options - To order an option supplied with the unit model, add the appropriate coded suffix letter in the designated position of the model number.



# M55 Series Flanged Filters

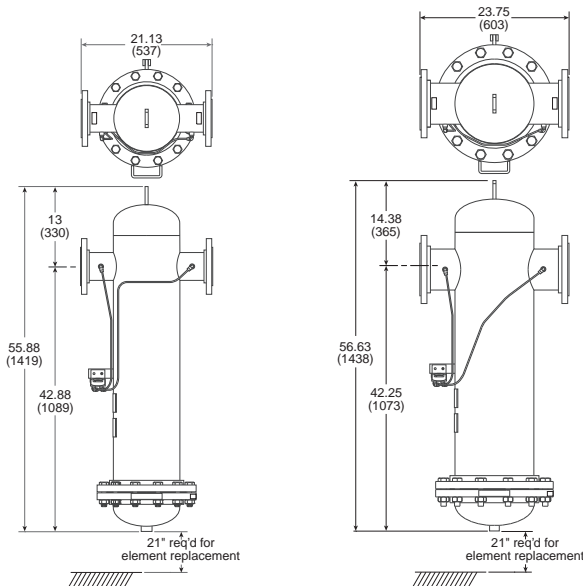
= "Most Popular"



M55 Series

## Features

- No Tie Rod Element Design
- Pleated Element Technology
- New High Efficiency Drainage Layer
- Designed in Accordance with ASME and CRN
- Connection Sizes: 4 Inch & 6 Inch Flange
- Acrylic Polyurethane Coating for Corrosion Protection



M55-0F-F00 & M55-0F-FS0

M55-0H-F00 & M55-0H-FS0

## Specifications

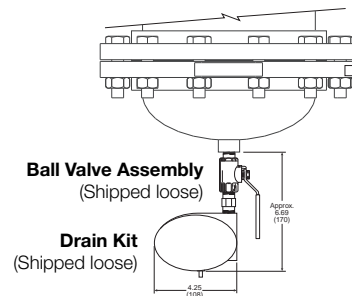
Operating Pressure	232 PSIG (16 bar)
Operating Temperature	35°F to 212°F (1.5°C to 100°C)

## Materials of Construction

Baffle	Plated Steel	
Body	Steel	
Deflector	Plated Steel	
Filter Element	0.01 & 1.0 micron	Borosilicate Cloth
Seals	Fluorocarbon	
Stud	Plated Steel	

## Service Kits

DP Gauge Replacement Kit	Number Required	DPG-Kit
Drain Kit - 1/2" NPT		HDF-120-NPT-A
Filter Element Kit	0.01 Micron	4 or 6
	1.0 Micron	4 or 6
		PSY1035002
		PSY1035001



## Inlet Air Pressure Correction

PSI	15	29	44	58	73	87	100	116	131	145
bar	1	2	3	4	5	6	7	8	9	10
Factor	0.38	0.53	0.65	0.76	0.85	0.93	1.00	1.07	1.13	1.19

For pressures above 232 PSIG (16 bar), use manual drain.

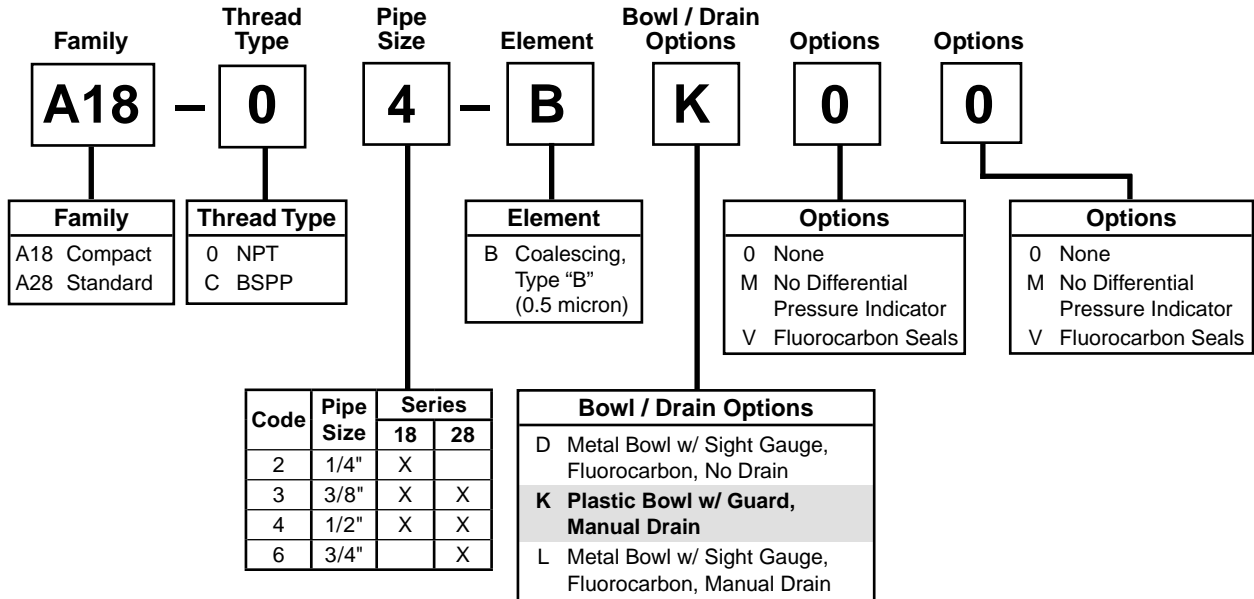
PSI	160	174	189	203	218	232	247	261	275	290
bar	11	12	13	14	15	16	17	18	19	20
Factor	1.25	1.31	1.36	1.41	1.46	1.51	1.56	1.60	1.65	1.70

## Ordering Information

Model Type	Port Size	Flow SCFM	Element Type	Number of Elements
M55-0F-F00	4" Flange	2755	0.01 micron	4
M55-0F-FS0	4" Flange	2755	1.0 micron	4
M55-0H-F00	6" Flange	4132	0.01 micron	6
M55-0H-FS0	6" Flange	4132	1.0 micron	6

# Afterfilter Numbering System

   = "Most Popular"



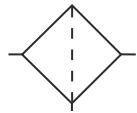
**NOTE:** All classes above refer to International Standards Organization (ISO) standard 8573-1, pertaining to maximum particle size and concentration of solid contaminants, and maximum oil content.

If more than one option is desired, arrange them in alphabetical order in positions 6, 7, and 8.

**B**  
Filters, Regulators, Lubricators

# Afterfilter A18

= "Most Popular"



Afterfilter



**A18-02-BK00**

**B**

Filters, Regulators, Lubricators

## Features

- Modern Design and Appearance
- 0.5 Micron Element
- Light Weight
- High Flow Capacity with Minimal Pressure Drop

## Specifications

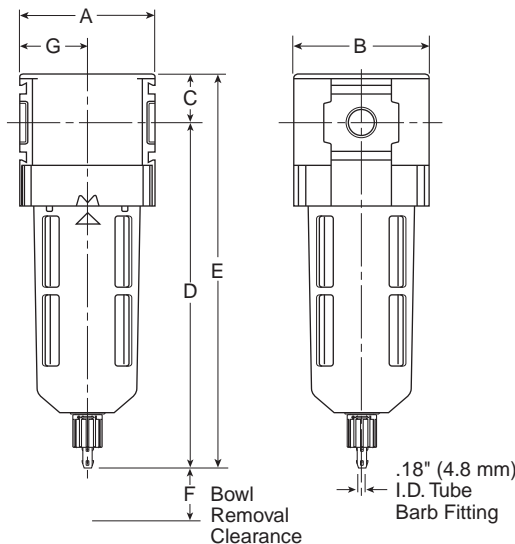
Flow Capacity*	1/4	50 SCFM (23.6 dm <sup>3</sup> /s)
	3/8	60 SCFM (28.3 dm <sup>3</sup> /s)
	1/2	67 SCFM (31.6 dm <sup>3</sup> /s)
Maximum Supply Pressure	Plastic Bowl	150 PSIG (10.3 bar)
	Metal Bowl	250 PSIG (17.2 bar)
Operating Temperature	Plastic Bowl	-13° to 125°F (-25° to 52°C)
	Metal Bowl	-13° to 150°F (-25° to 65.5°C)
Port Size	NPT / BSPP-G	1/4, 3/8, 1/2
Standard Filtration	0.5 Micron	
Weight	1.1 lb. (0.5 kg)	

\* Inlet pressure 150 PSIG (10.3 bar). Pressure drop 3 PSID (0.2 bar).

**"A18" Series Afterfilters, with Type "B" 0.5 micron elements:**  
All Wilkerson Type "AF" Afterfilters with Type "B" 0.5 micron elements **exceed ISO** Class 2 for maximum particle size and concentration of solid contaminants, and **exceed** Class 3 on maximum oil content (ppm/wt).

## Materials of Construction

Body	Zinc	
Body Cap	ABS	
Bowls	Plastic Bowl	Polycarbonate
	Metal Bowl	Aluminum
Filter Element	Type "B"	Borosilicate Fiber
Seals	Nitrile	
Sight Gauge	Metal Bowl	Nylon



## Dimensions

Models	Inches (mm)	A	B	C	D	E	F	G
Standard Unit A18-XX-BK00		2.36 (60)	2.36 (60)	1.02 (26)	6.38 (162)	7.40 (188)	1.61 (41)	1.18 (30)
Metal Bowl with Sight Gauge / Manual Drain A18-XX-BL00		2.36 (60)	2.72 (69)	1.02 (26)	6.38 (162)	7.40 (188)	1.61 (41)	1.18 (30)

= "Most Popular"

### Replacement Bowl Kits

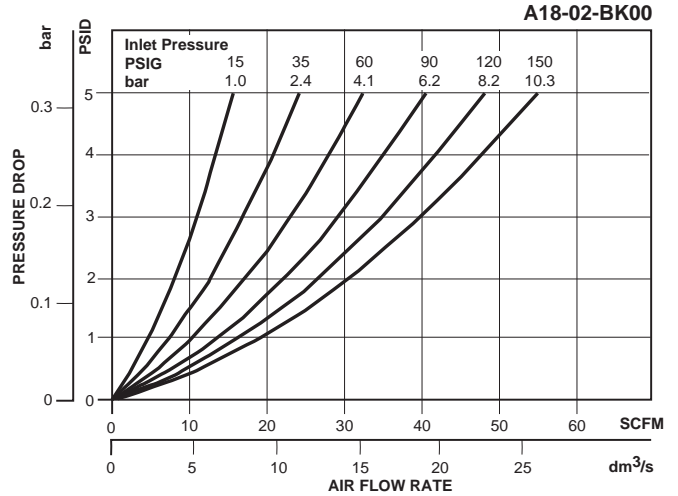
- Metal Bowl with Sight Gauge,  
Manual Drain ..... GRP-96-636
- Plastic Bowl / Bowl Guard,  
Manual Drain ..... GRP-96-634
- Plastic Bowl, Plastic Guard,  
No Drain ..... GRP-96-638

### Replacement Element Kit

- Type "B", 0.5 Micron..... MSP-96-647

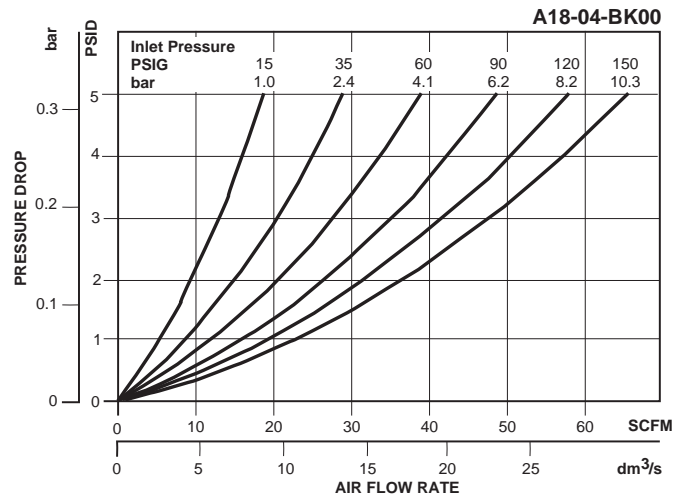
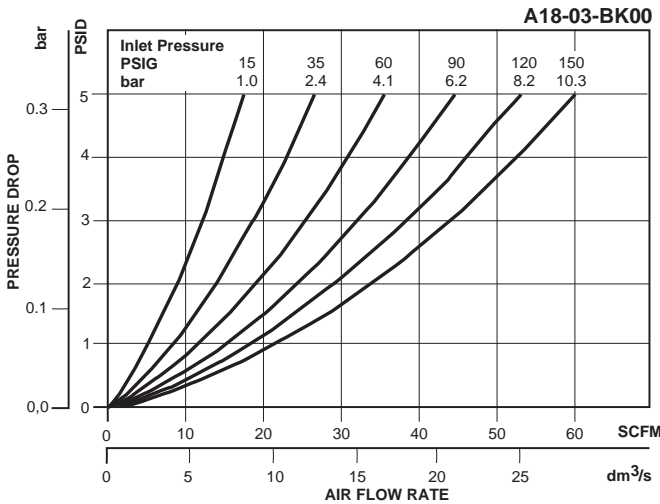
### Accessories

- Wall Mounting Bracket –
- C-Type ..... GPA-96-604
- T-Type ..... GPA-96-602



**B**

Filters, Regulators, Lubricators



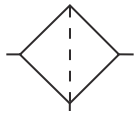
### Ordering Information

Model Type	Port Size	Polycarbonate Bowl / Bowl Guard / "B" Element	Metal Bowl / Sight Gauge / "B" Element
Type "B" Element is Standard (Manual Drain)	1/4	A18-02-BK00	A18-02-BL00
	3/8	A18-03-BK00	A18-03-BL00
	1/2	A18-04-BK00	A18-04-BL00

Options - To order an option supplied with the unit model, add the appropriate coded suffix letter in the designated position of the model number.

# Afterfilter A28

 = "Most Popular"



Afterfilter



**A28-03-BK00**

## Features

- Modern Design and Appearance
- 0.5 Micron Element
- Light Weight
- High Flow Capacity with Minimal Pressure Drop
- Bowl Guard
- Quick-Disconnect Bowl

## Specifications

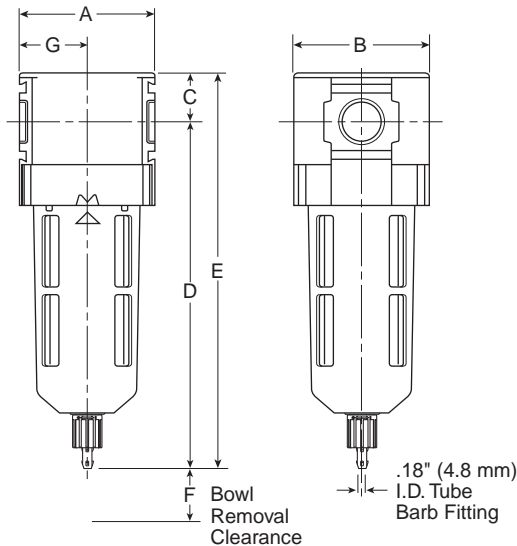
Flow Capacity*	3/8	82 SCFM (38.7 dm <sup>3</sup> /s)
	1/2	90 SCFM (42.5 dm <sup>3</sup> /s)
	3/4	98 SCFM (46.3 dm <sup>3</sup> /s)
Maximum Supply Pressure	Plastic Bowl	150 PSIG (10.3 bar)
	Metal Bowl	250 PSIG (17.2 bar)
Operating Temperature	Plastic Bowl	-13° to 125°F (-25° to 52°C)
	Metal Bowl	-13° to 150°F (-25° to 65.5°C)
Port Size	NPT / BSPP-G	3/8, 1/2, 3/4
Standard Filtration	0.5 Micron	
Weight	1.7 lb. (0.8 kg)	

\* Inlet pressure 150 PSIG (10.3 bar). Pressure drop 3 PSID (0.2 bar).

**"A28" Series Afterfilters, with Type "B" 0.5 micron elements:**  
All Wilkerson Type "AF" Afterfilters with Type "B" 0.5 micron elements **exceed ISO** Class 2 for maximum particle size and concentration of solid contaminants, and **exceed** Class 3 on maximum oil content (ppm/wt).


## Materials of Construction

Body	Aluminum	
Body Cap	ABS	
Bowls	Plastic Bowl	Polycarbonate
	Metal Bowl	Aluminum
Filter Element	Type "B"	Borosilicate Fiber
Seals	Nitrile	
Sight Gauge	Metal Bowl	Nylon



## Dimensions

Models	Inches (mm)	A	B	C	D	E	F	G
Standard Unit A28-XX-BK00		2.90 (74)	2.90 (74)	1.00 (26)	7.40 (188)	8.40 (213)	2.00 (51)	1.42 (36)
Metal Bowl with Sight Gauge / Manual Drain A28-XX-BL00		2.90 (74)	3.23 (82)	1.00 (26)	7.40 (188)	8.40 (213)	2.00 (51)	1.42 (36)

 = "Most Popular"

### Replacement Bowl Kits

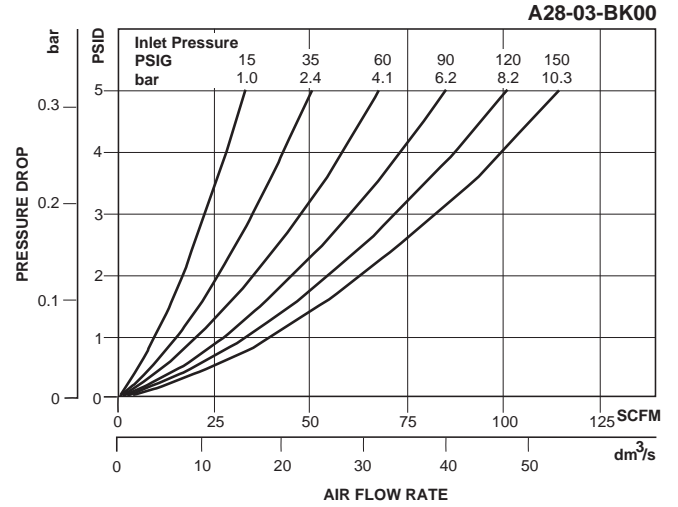
- Metal Bowl with Sight Gauge,  
Manual Drain ..... GRP-96-644
- Plastic Bowl / Bowl Guard,  
Manual Drain ..... GRP-96-642
- Plastic Bowl, Plastic Guard,  
No Drain ..... GRP-96-652

### Replacement Element Kit

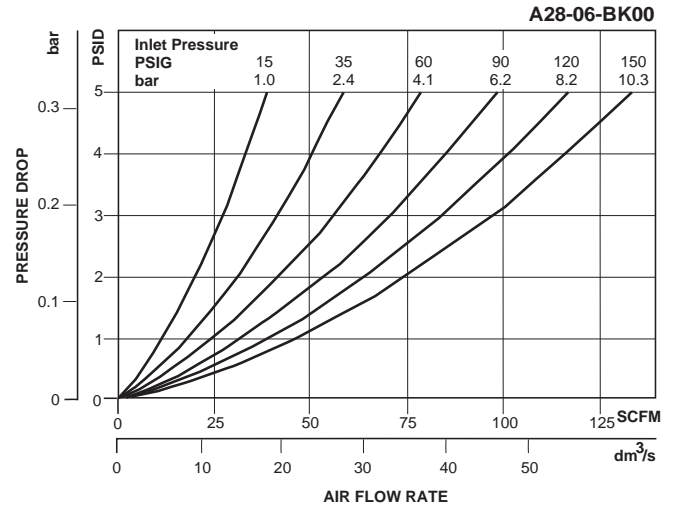
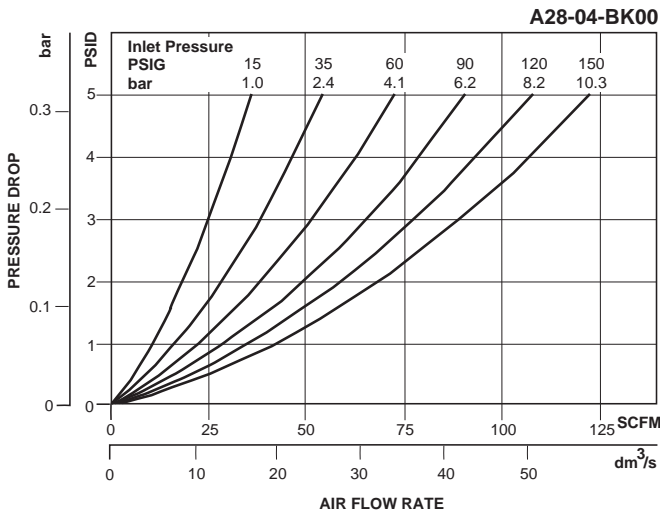
- Type "B", 0.5 Micron..... MSP-96-649

### Accessories

- Wall Mounting Bracket –  
C-Type ..... GPA-96-605
- T-Type..... GPA-96-602



**B**  
Filters, Regulators, Lubricators



### Ordering Information

Model Type	Port Size	Polycarbonate Bowl / Bowl Guard / "B" Element	Metal Bowl / Sight Gauge / "B" Element
Type "B" Element is Standard (Manual Drain)	3/8	A28-03-BK00	A28-03-BL00
	1/2	A28-04-BK00	A28-04-BL00
	3/4	A28-06-BK00	A28-06-BL00

Options - To order an option supplied with the unit model, add the appropriate coded suffix letter in the designated position of the model number.

# Exhaust Muffler F23



**F23-04-000**

## Exhaust Muffler Units

Part of an OSHA requirement is to keep sustained noise levels within acceptable specifications: 90 decibels (dBA) or less. Wilkerson's mufflers and oil reclassifiers keep these objectionable exhaust noises (air motors, control valves, etc.) within the OSHA specifications.

These units have only one inlet port.

The contaminants in the exhaust flow are mechanically separated and twice filtered to 5 micron levels. The clean, muffled exhaust flows out of the unit under the metal hood on top.

### Features:

- 5 Micron Rated Reusable Elements
- Quick-Disconnect Clamp Ring for Easy Bowl Removal
- Low-Pressure Drop (Back Pressure)
- Removes Oily Aerosols from Exhaust Flows
- Transparent Bowls with Metal Bowl Guards Standard

### Replacement Bowl Kits

- Metal Bowl Guard, (for Plastic Bowl)..... GRP-95-804
- Metal Bowl, Brass Petcock ..... FRP-95-612
- Metal Bowl / Sight Gauge, Brass Petcock ..... GRP-95-613
- Plastic Bowl, Plastic Petcock Drain .....LRP-96-157
- Plastic Bowl / Bowl Guard, Plastic Petcock Drain....GRP-95-724

### Replacement Element Kit

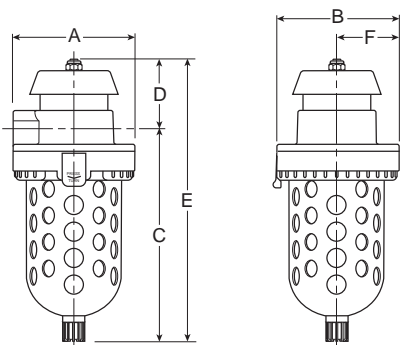
- Type A", 5 Micron (Upper & Lower Elements)..... FRP-95-169

### Replacement Kits

- Clamp Ring Assembly.....GRP-95-154
- Manual Drain, Brass Petcock .....GRP-95-182
- O-ring, Bowl, Fluorocarbon (10 per kit) .....GRP-95-109
- O-ring, Bowl, Nitrile (10 per kit) ..... GRP-95-257

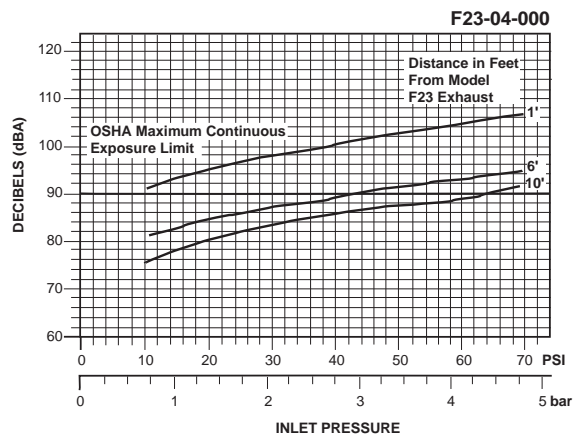
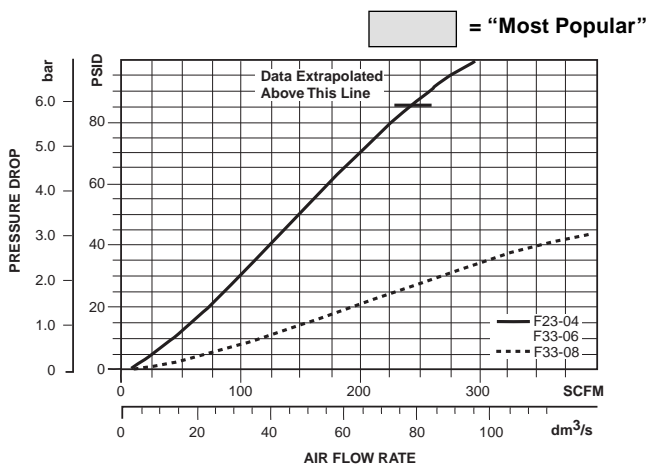
### Accessories

- Wall Mounting Bracket, U-Bolt Pipe Clamp..... GRP-95-734



### Dimensions

Models	Inches (mm)	A	B	C	D	E	F
Standard Unit F23-04-000		3.83 (97.5)	3.83 (97.5)	6.23 (158.2)	2.06 (52.3)	8.29 (210.6)	1.92 (48.8)



### Specifications

Maximum Supply Pressure	150 PSIG (10.3 bar)
Operating Temperature	32° to 125°F (0° to 52°C)
Port Size	NPT / BSPP-G 1/2
Standard Filtration	5 Micron
Weight	3.12 lb. (1.4 kg)

### Materials of Construction

Baffle	Acetal	
Body	Zinc	
Bowls	Plastic Bowl	Polycarbonate
	Metal Bowl	Aluminum
Element Retainer	Steel Stud	
Filter Element	Sintered Polyethylene	
Shield	Steel	
Stem	Steel	

# Exhaust Muffler F33



**F33-06-000**

## Exhaust Muffler Units

Part of an OSHA requirement is to keep sustained noise levels within acceptable specifications: 90 decibels (dBA) or less. Wilkerson's mufflers and oil reclassifiers keep these objectionable exhaust noises (air motors, control valves, etc.) within the OSHA specifications.

These units have only one inlet port. The contaminants in the exhaust flow are mechanically separated and twice filtered to 5 micron levels. The clean, muffled exhaust flows out of the unit under the metal hood on top.

### Features:

- 5 Micron Rated Reusable Elements
- Quick-Disconnect Clamp Ring for Easy Bowl Removal
- Low-Pressure Drop (Back Pressure)
- Removes Oily Aerosols from Exhaust Flows
- Transparent Bowls with Metal Bowl Guards Standard

### Replacement Bowl Kits

- Metal Bowl Guard, (for Plastic Bowl)..... GRP-95-808
- Metal Bowl, Brass Petcock..... FRP-95-593
- Metal Bowl / Sight Gauge, Brass Petcock..... GRP-95-676
- Plastic Bowl, Plastic Petcock Drain..... LRP-96-160
- Plastic Bowl / Bowl Guard, Plastic Petcock Drain.... LRP-95-830

### Replacement Element Kit

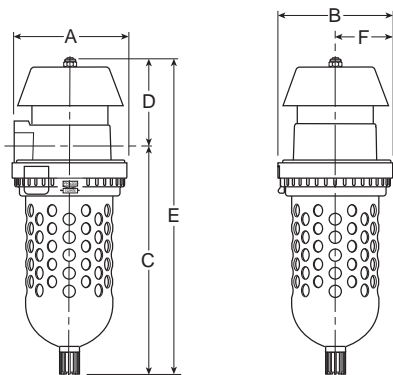
- Type "A", 5 Micron..... FRP-95-170

### Replacement Kits

- Clamp Ring Assembly..... GRP-96-404
- Manual Drain, Brass Petcock..... GRP-95-182
- O-ring, Bowl, Fluorocarbon (10 per kit)..... GRP-95-942
- O-ring, Bowl, Nitrile (10 per kit)..... GRP-95-256

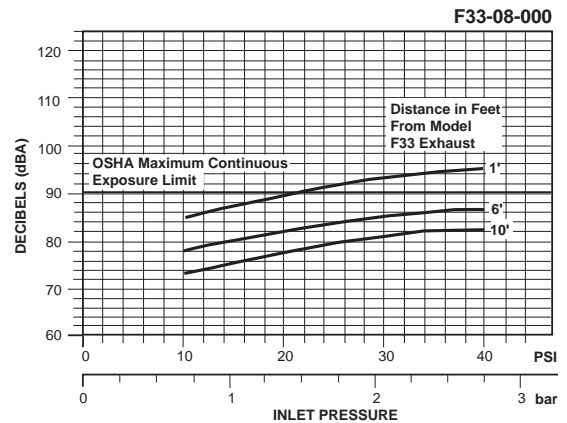
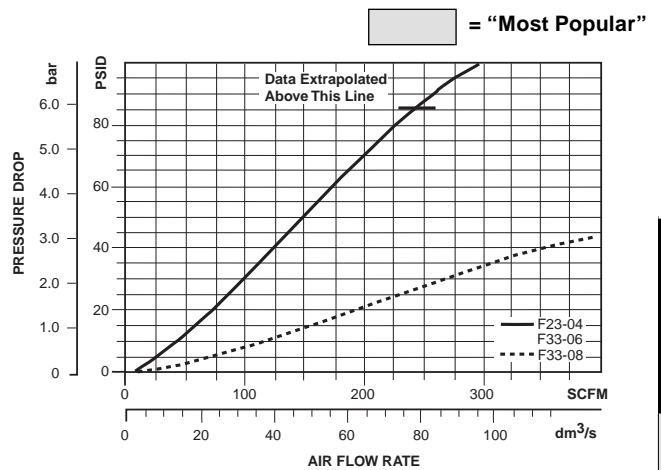
### Accessories

- Wall Mounting Bracket, U-Bolt Pipe Clamp..... GRP-95-734



### Dimensions

Models	Inches (mm)	A	B	C	D	E	F
Standard Unit F33-06-000 & F33-08-000		4.63 (117.6)	4.63 (117.6)	8.91 (226.3)	3.99 (98.6)	12.79 (324.9)	2.31 (58.7)



### Specifications

Maximum Supply Pressure	150 PSIG (10.3 bar)
Operating Temperature	32° to 125°F (0° to 52°C)
Port Size	NPT / BSPP-G 3/4, 1
Standard Filtration	5 Micron
Weight	6 lb. (2.7 kg)

### Materials of Construction

Baffle	Acetal	
Body	Zinc	
Bowls	Plastic Bowl Metal Bowl	Polycarbonate Aluminum
Element Retainer	Steel Stud	
Filter Element	Sintered Polyethylene	
Shield	Steel	
Stem	Steel	



# Exhaust Silencer Mist Eliminator XMC

= "Most Popular"



**XMC-08-000**

## Features

- Port Sizes 1/2", 1" and 1-1/2" NPT
- Liquid Sump with Manual Drain
- Corrosion Resistant Construction
- Compact and Easy to Install
- Low Cost
- Low Back Pressure
- High Density Durable Plastic End Caps

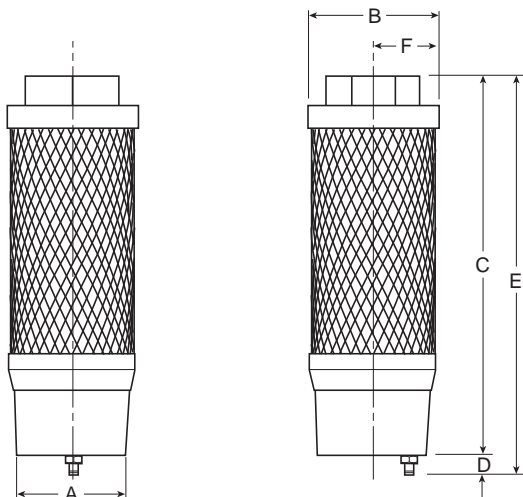
## Specifications

	XMC-04-000	XMC-08-000	XMC-0B-000
Air Flow @12 PSIG (0,8 bar)	65 SCFM (30.7 dm <sup>3</sup> /s)	110 SCFM (51.9 dm <sup>3</sup> /s)	200 SCFM (94.4 dm <sup>3</sup> /s)
Back Pressure			
Bowl Capacity	2.2 fl. oz.	5 fl. oz.	5 fl. oz.
Cv	5.5	9.3	16.9
Drain	Manual		
Oil Removal	99.9%		
Operating Temperature	36° to 122°F (2° to 50°C)		
Port Size*	1/2 NPT	1 NPT	1-1/2 NPT
Media		Air	
Noise Reduction	25 dBA		
Weight	0.4 (0,18)		

\* Place "C" in position 4 to specify BSPP-G.

## Materials of Construction

Corrosion Resistant Threaded End Cap	Nylon
Cover Cap	Plastic
Filter Elements –	
Primary	Borosilicate Cloth
Secondary	PVC Fiber
Oil Drain Cup	Plastic
Outer Support Sleeve	Plastic Mesh Screen



## Dimensions

Models	Inches (mm)	Port Size	A	B	C	D	E	F
Standard Unit XMC-04-000		1/2	2.00 (51)	2.36 (60)	3.94 (100)	0.39 (10)	5.94 (150.9)	1.18 (30)
Standard Unit XMC-08-000		1	2.00 (51)	2.36 (60)	5.83 (148)	0.39 (10)	7.83 (198.9)	1.18 (30)
Standard Unit XMC-0B-000		1-1/2	3.00 (76)	3.42 (87)	8.19 (208)	0.42 (11)	11.19 (284)	—

## Exhaust Silencer / Mist Eliminator XMC

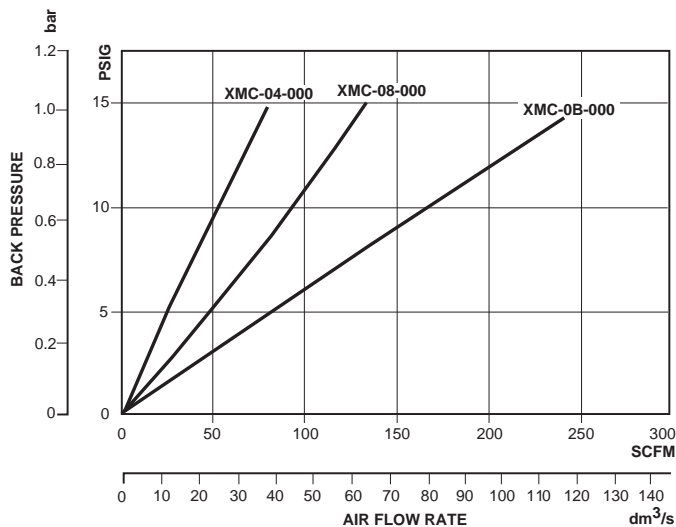
The XMC Series High Performance Exhaust Silencer / Mist Eliminator is an efficient solution to exhaust air oil mist contamination and excessive noise levels generated by exhaust air at levels generally above acceptable safety standards. The Wilkerson XMC Series Exhaust Silencer / Mist Eliminator solves the following two problems:

### Oil and Mist Contamination

Exhaust air from various in-plant pneumatic components, such as valves and cylinders generally contain a significant amount of oil mists, as well as solid particles and other lubricant additives which will pollute the working environment, affect worker's health and the quality of the final product.

### Operation

During unit operation, the XMC unit coalesces oil mists, which then collect into an integral drainage cup at the bottom of the element. Depending upon the volume of contamination exhausting into the unit, this may either be drained off periodically by removing the rubber drain plug cap and drain into a container, or continuously by connecting a suitable length of plastic tubing to the drain plug on the unit. The XMC is a disposable unit and should be changed when the back pressure becomes excessive for your particular installation.

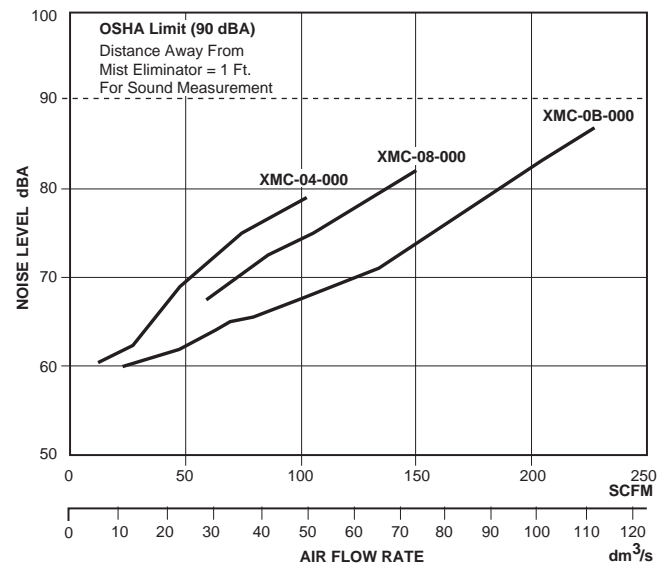


Back Pressure Chart

## Unacceptable Noise Levels

The expanding exhaust air also produces both sudden and excessive noise, generally at levels well above the OSHA requirements of 90 decibels (dBA), which makes the working environment both unpleasant and potentially unsafe.

By using a Wilkerson XMC Series unit, oil mist and other contaminants inherent in lubricated air lines are removed thus preventing them from entering the atmosphere. At the same time, the noise level is reduced to meet and exceed the requirements of OSHA standards applicable to environmental conditions. The high performance XMC models remove up to 99.9% of the oil mist from the exhaust air, providing a clean, healthy work environment.



Noise Characteristics Chart

## Installation

Wilkerson's XMC Exhaust Silencer / Mist Eliminators can be easily and quickly installed in the exhaust ports of pneumatic valves, air motors and other air operated devices to reduce work area noise and eliminate oil mist from exhaust air. Use of collective piping or manifold where multiple air devices are used makes for easy maintenance and control of oil mist collection and disposal. For manual draining, attach plastic tubing with an inside diameter of 0.25" (6.35 mm) and run tubing from the drain to the collecting container. When installed without plastic tubing, periodically remove rubber drain plug cap and manually drain unit into a proper disposable container.

B

Filters, Regulators, Lubricators

# Liquid Separators WSA / WS0

 = "Most Popular"

## Specifications

Maximum Operating Pressure	(WSA)	200 PSIG (13.8 bar)
	(WS0)	232 PSIG (16.0 bar)
Operating Temperature	(WSA)	32° to 150°F (0° to 65.5°C)
	(WS0)	35° to 176°F (1.6° to 80°C)
Pressure Differential at Rated Flow		1.0 PSID (0.07 bar)

## Materials of Construction

	WSA	WS0
Housing	Zinc	Aluminum
Seals	Nitrile	Fluorocarbon



## Features

- High Flow Rates
- Less than 1 PSIG Differential Pressure
- Lightweight Cast Aluminum Housing with 1" to 3" NPT Connections (WS0)
- Cast Zinc Housings with 1/4" to 1" NPT Connections (WSA)
- External Surfaces Epoxy Painted for Maximum Corrosion Protection
- Standard Equipped with Quick Disconnect Bowls for Ease of Service (WSA)
- Three (3) Optional Automatic Drains Available

## Liquid Separators

Our unique design combines the techniques of centrifugal action and other mechanical separation principles (Impingement, Separation, Laminar Flow and Stokes Law) to remove large quantities of liquid and solid contamination.

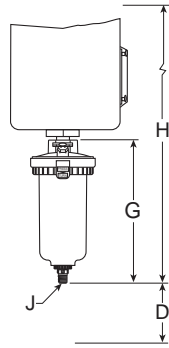
Typical applications include water separation downstream of aftercoolers, protection of refrigerant and heatless regenerative desiccant dryers, downstream of air receivers, and other liquid / gas separation duties where the volume of water and solids poses a real problem.

Model Number	In / Out NPT Pipe Conn.	Rated Flow (SCFM) @ 100 PSIG*	Approx. Weight lbs.	Recommended Automatic Drain
WSA-02-M00**	1/4"	25	2.2	Optional
WSA-02-FM0	1/4"	25	2.2	Internal
WSA-03-M00**	3/8"	50	2.6	Optional
WSA-03-FM0	3/8"	50	2.6	Internal
WSA-04-M00**	1/2"	50	2.6	Optional
WSA-04-FM0	1/2"	50	2.6	Internal
WSA-06-M00**	3/4"	100	6.0	Optional
WSA-06-FM0	3/4"	100	6.0	Internal
WSA-08-M00**	1"	120	6.0	Optional
WSA-08-FM0	1"	120	6.0	Internal
<b>WS0-08-000B</b>	<b>1"</b>	<b>233</b>	<b>4.8</b>	<b>X02-04-FM0 WDV3-G</b>
WS0-0B-000B	1-1/2"	742	11.2	X02-04-FM0 WDV3-G
<b>WS0-0C-000B</b>	<b>2"</b>	<b>742</b>	<b>11.2</b>	<b>X02-04-FM0 WDV3-G</b>
WS0-0E-000B	3"	1700	22.0	X02-04-FM0 WDV3-G

\*1 PSID maximum differential. \*\*Models have petcock.

B

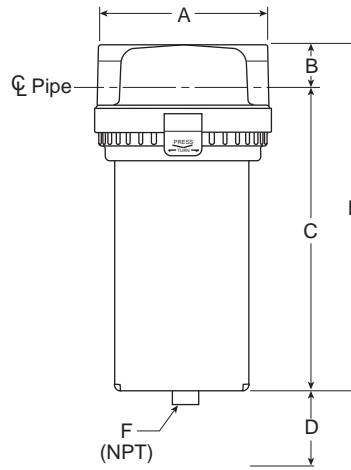
Filters, Regulators, Lubricators



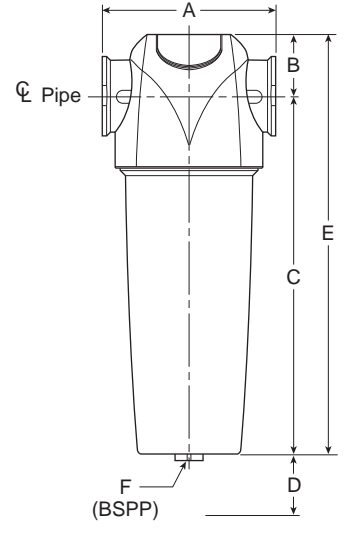
X02

D = Bowl Removal Clearance Dimension

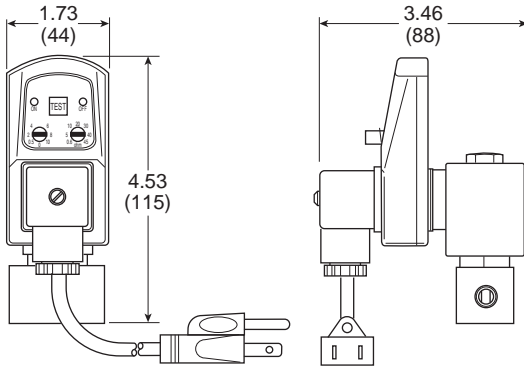
J = External Drain Discharge Port (NPT)



WSA



WS0



Front View

Side View

WDV3-G

**NOTE: MAXIMUM** separator efficiency of 98%+ is achieved in the range of 15 to 100% of rated flow in SCFM. At flow rates of <15% or >100%, separator efficiency is reduced considerably. Consult your Wilkerson distributor or contact Wilkerson for assistance in selecting the correct separator model for your application.

Model Number	A	B	C	D	E	NPT F	G	H	NPT J
WSA-02-M00*	3.00	.90	5.51	3.50	6.41	1/8	—	—	—
WSA-02-FM0	3.00	.90	5.51	3.50	6.41	1/8	—	—	—
WSA-03-M00*	3.35	.98	6.36	3.50	7.34	1/8	—	—	—
WSA-03-FM0	3.35	.98	6.36	3.50	7.34	1/8	—	—	—
WSA-04-M00*	3.35	.98	6.36	3.50	7.34	1/8	—	—	—
WSA-04-FM0	3.35	.98	6.36	3.50	7.34	1/8	—	—	—
WSA-06-M00*	4.62	1.00	9.00	3.50	10.00	1/8	—	—	—
WSA-06-FM0	4.62	1.00	9.00	3.50	10.00	1/8	—	—	—
WSA-08-M00*	4.62	1.00	9.00	3.50	10.00	1/8	—	—	—
WSA-08-FM0	4.62	1.00	9.00	3.50	10.00	1/8	—	—	—
WS0-08-000B	5.10	1.60	9.20	3.00	10.80	1/2	5.90	18.00	1/4
WDV3-G	—	—	—	—	—	—	1.62	13.72	—
WS0-0B-000B	6.70	2.00	15.00	4.00	17.00	1/2	5.90	18.00	1/4
WDV3-G	—	—	—	—	—	—	1.62	13.72	—
WS0-0C-000B	6.70	2.00	15.00	4.00	17.00	1/2	5.90	24.50	1/4
WDV3-G	—	—	—	—	—	—	1.62	20.22	—
WS0-0E-000B	8.10	2.40	17.50	4.72	19.90	1/2	5.90	28.90	1/4
WDV3-G	—	—	—	—	—	—	1.62	24.62	—

\*Models have petcock.

# Bulk Liquid Separators WWSA

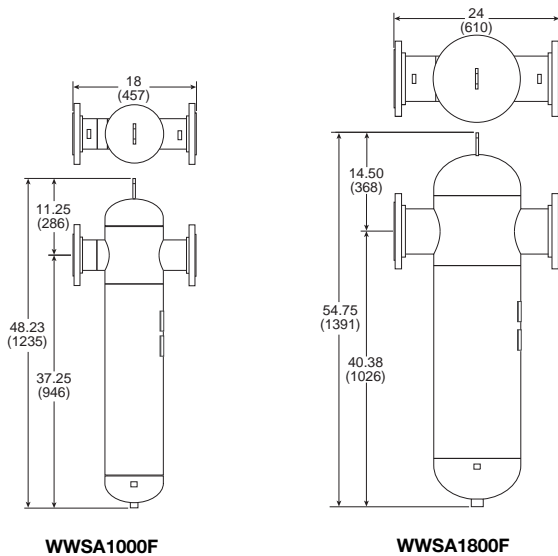
 = "Most Popular"



WWSA Series

## Features

- Designed in Accordance with ASME and CRN
- Connection Sizes: 4 Inch & 6 Inch
- High Liquid Removal Efficiencies at All Flow Conditions
- Suitable for Variable Flow Compressors
- Works With All Types of Compressor and Compressor Condensate
- External Surface Epoxy Painted for Maximum Corrosion Resistance



## Specifications

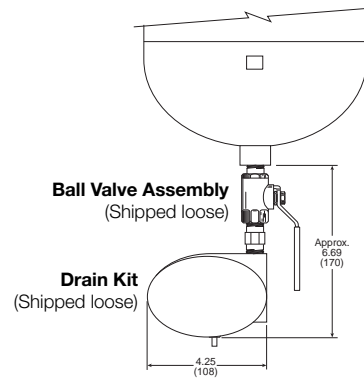
Operating Pressure	232 PSIG (16 bar)
Operating Temperature	35°F to 150°F (1.5°C to 66°C)

## Materials of Construction

Baffle	Plated Steel
Body	Steel
Deflector	Plated Steel
Seals	Fluorocarbon
Stud	Plated Steel

## Service Kits

DP Gauge Replacement Kit	DPG-Kit
Drain Kit - 1/2" NPT	HDF-120-NPT-A



## Inlet Air Pressure Correction

PSI	15	29	44	58	73	87	100	116	131	145
bar	1	2	3	4	5	6	7	8	9	10
Factor	2.65	1.87	1.53	1.32	1.18	1.08	1.00	.94	0.88	0.84

For pressures above 232 PSIG (16 bar), use manual drain.										
PSI	160	174	189	203	218	232	247	261	275	290
bar	11	12	13	14	15	16	17	18	19	20
Factor	0.80	0.76	0.73	0.71	0.68	0.66	0.64	0.62	0.61	0.59

## Ordering Information

Model Type	Port Size	Flow SCFM	Element Type	Number of Elements
WWSA1000F	4" Flange	2119	0.01 micron	4
WWSA1800F	6" Flange	3814	1.0 micron	6

# External Drain X01

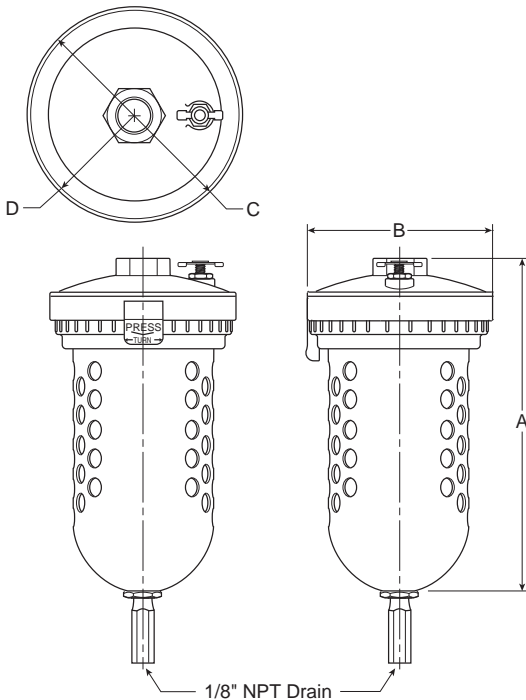
 = "Most Popular"



**X01-04-000**

## Features

- Fully Automatic Float Operated
- No Electrical Connections
- Easily Installed
- Internal Pilot Operated
- Quick-Disconnected Clamp Ring for Easy Bowl Removal when Servicing
- Transparent Bowl with Metal Bowl Guard Standard



## Specifications

Drain Rate	150 GPH @ 100 PSIG (570 l/h @ 6.9 bar)		
Maximum Supply Pressure	Plastic Bowl	150 PSIG (10.3 bar)	
	Metal Bowl	200 PSIG (13.8 bar)	
Operating Temperature	Plastic Bowl	32° to 125°F (0° to 52°C)	
	Metal Bowl	32° to 150°F (0° to 65.5°C)	
Port Size	NPT / BSPP-G	1/2	
Weight	4.6 lb. (2.1 kg)		

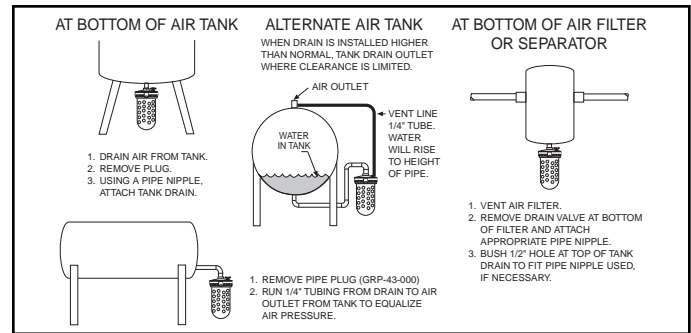
## Materials of Construction

Body	Zinc
Float Assembly	Plastic with Stainless Steel Internals

## Replacement Kits

Bowl Guard, Metal (for Plastic Bowl)	GRP-95-808
Clamp Ring Assembly	GRP-96-404
Plastic Bowl, Auto Drain and Bowl Guard Assembly	XRP-96-747
Metal Bowl and Auto Drain Assembly –	FRP-95-631
O-ring, Bowl –	
Fluorocarbon (10 per kit)	GRP-95-942
Bowl, Nitrile (10 per kit)	GRP-95-256

## Typical Installations



## External Drain

As liquid contaminants collect in the bowl, they raise a closed-cell molded float. When the liquid level reaches a given point, the float triggers a mechanism, which pilots line pressure against a large-area diaphragm, which snaps open the drain valve. The contaminants are discharged from the drain orifice at line pressure. As the liquid level falls, the pilot valve closes, line pressure against the diaphragm returns to atmosphere and the drain valve snaps closed.

## Dimensions

Models	Inches (mm)	A	B	C	D
Standard Unit X01-04-000		9.66 (245)	4.76 (121)	4.76 (121)	2.36 (60)

# External Drain X02 / XB3

 = "Most Popular"

**B**

Filters, Regulators, Lubricators



**X02-04-000**



**XB3-04-M00**

## Specifications

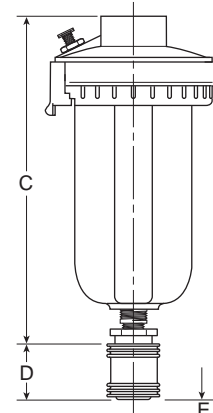
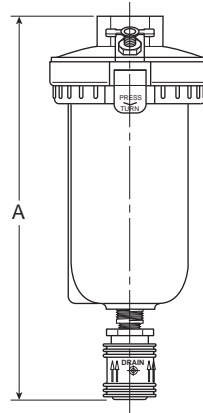
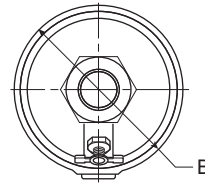
Drain Rate	80 GPH @ 100 PSIG (300 l/h @ 6.9 bar)	
Maximum Supply Pressure	Plastic Bowl	150 PSIG (10.3 bar)
	Metal Bowl	200 PSIG (13.8 bar)
Operating Temperature	Plastic Bowl	32° to 125°F (0° to 52°C)
	Metal Bowl	32° to 150°F (0° to 65.5°C)
Port Size	NPT / BSPP-G 1/2	
Weight	XB3	1.42 lb. (0.6 kg)
	X02	1.26 lb. (0.6 kg)

## Materials of Construction

Body	Zinc
Float Assembly	Plastic with Stainless Steel Internals
Manual Override	Brass

## Features

- Available in NPT and BSPP-G Ports
- The Manual Override Allows Drainage at Any Time Without Waiting
- Use of the Manual Override Does Not Interfere with the Normal Operation of the Drain
- To Assist in Compliance with EPA Regulations, a 1/8" Pipe Thread Allows the Liquid Discharge to be Piped Away. The X02 Has No Manual Override for the Automatic Drain.



E = Bowl Removal

## Dimensions

Models	Inches (mm)	A	B	C	D	E
Standard Unit XB3-04-000		7.00 (179)	3.06 (78)	6.00 (152)	1.00 (25)	1.66 (42)
Standard Unit X02-04-F00		5.87 (149)	3.06 (78)	— —	— —	2.88 (73)
Metal Bowl XB3-04-M00		7.50 (190.5)	3.06 (78)	6.50 (165)	1.00 (25)	1.66 (42)
Metal Bowl X02-04-FM0		5.87 (149)	3.06 (78)	— —	— —	2.88 (73)

 = "Most Popular"

## External Drain

Wilkerson drains are designed to remove liquid oil and water contaminants from compressed air systems automatically.

Liquid contaminants collected in the bowl cause the float mechanism to rise. When the liquid reaches a specific level the float triggers a mechanism which pilots line pressure against a large-area piston. This action causes the drain orifice to open and evacuate the liquid and particulate contaminants. As the liquid level falls the pilot valve closes, line pressure against the piston returns to atmosphere and the drain valve snaps closed.

Wilkerson's XB3 model automatic drain includes the manual override. The manual override option allows for drainage at times when waiting for the system to drain automatically is not desirable.

## Replacement Bowl Kits

- Bowl Guard, Metal (for Plastic Bowls)..... GRP-95-846
- Metal Bowl –
  - Automatic Float Drain..... GRP-96-007
  - Brass Petcock..... GRP-95-539
  - Sight Gauge, Brass Petcock ..... LRP-95-673
- Plastic Bowl –
  - Flex Tip Drain ..... FRP-95-017
  - Plastic Petcock Drain ..... LRP-96-543
- Plastic Bowl, Metal Bowl Guard –
  - Automatic Float Drain..... GRP-95-845
  - Flex Tip Drain ..... FRP-95-847

## Accessories

- Auto Float Drain –
  - Fluorocarbon ..... GRP-95-981
- Drain, Manual Override For Auto Float Drains –
  - with 1/8 NPT Port..... GRP-96-001  
(Use with GRP-95-981 shown above. Order seperately)
- Manual Drain, Flex-Tip..... FRP-95-610





# External Piston Drain X51

 = "Most Popular"

**B**

Filters, Regulators, Lubricators



**X51-02-0000**

## Features

- Automatically Drains Liquid Water from Compressed Air Receiver
- Drains Every Time System Pressure Decays (20 PSIG)

## Specifications

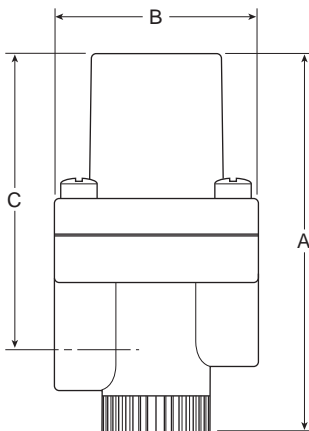
Maximum Supply Pressure	200 PSIG (13.8 bar)	
Minimum Supply Pressure	30 PSIG (2.1 bar)	
Minimum Differential Pressure Required	20 PSIG (1.4 bar)	
Operating Temperature	32° to 150°F (0° to 65.5°C)	
Port Size	NPT / BSPP-G	1/4
Weight	lb. (kg)	.8 (.36)

## Materials of Construction

Body	Aluminum
Bottom Cap	Plastic
Check Valve Ball	Chrome Alloy Steel
Piston	Brass
Seals	Fluorocarbon
Springs	Steel

## Replacement Kits

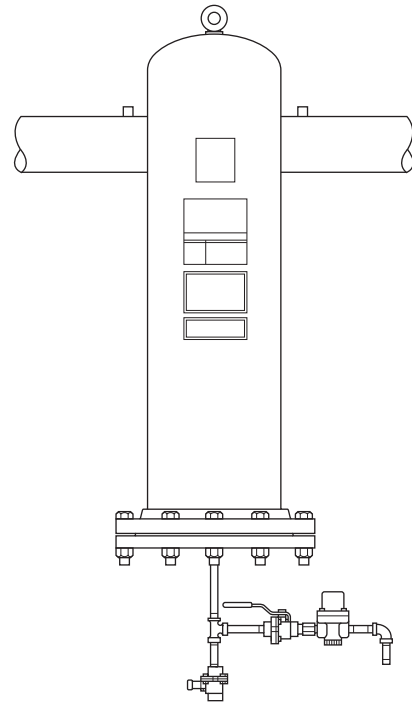
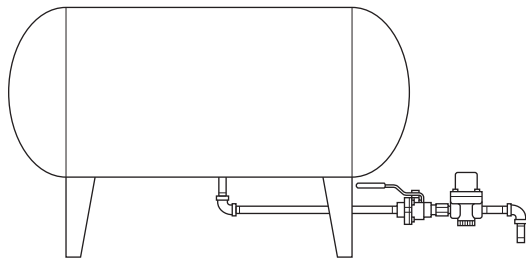
Maintenance Kit .....	XRP-95-511
Piston .....	XRP-95-512



## Dimensions

Models	Inches (mm)	A	B	C
Standard Unit X51-02-0000		3.81 (96.8)	2.11 (53.6)	2.93 (74.4)

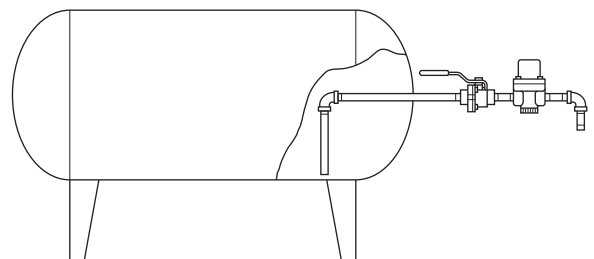
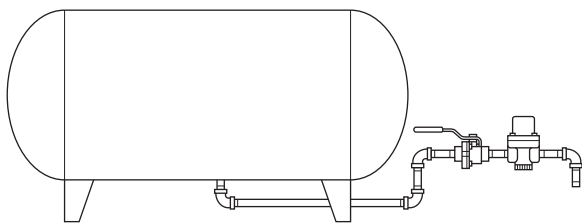
**Standard Acceptable Installation  
(X51 Mounted at Lowest Point in System)**



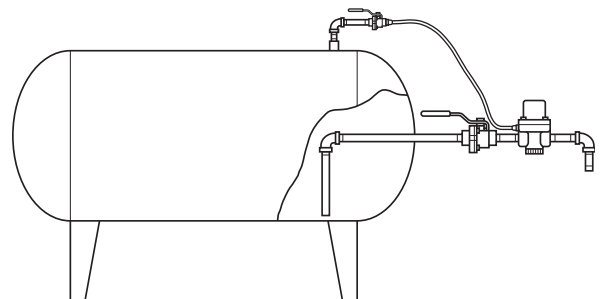
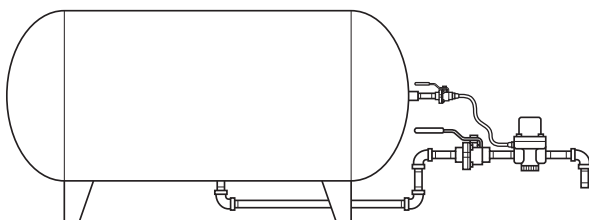
**B**

Filters, Regulators, Lubricators

**Unacceptable Installation  
(X51 Installed in Piping Above Lowest Point)**



**Proper Installation of Remote Pilot  
(X51 Installed Above Lowest Point)**



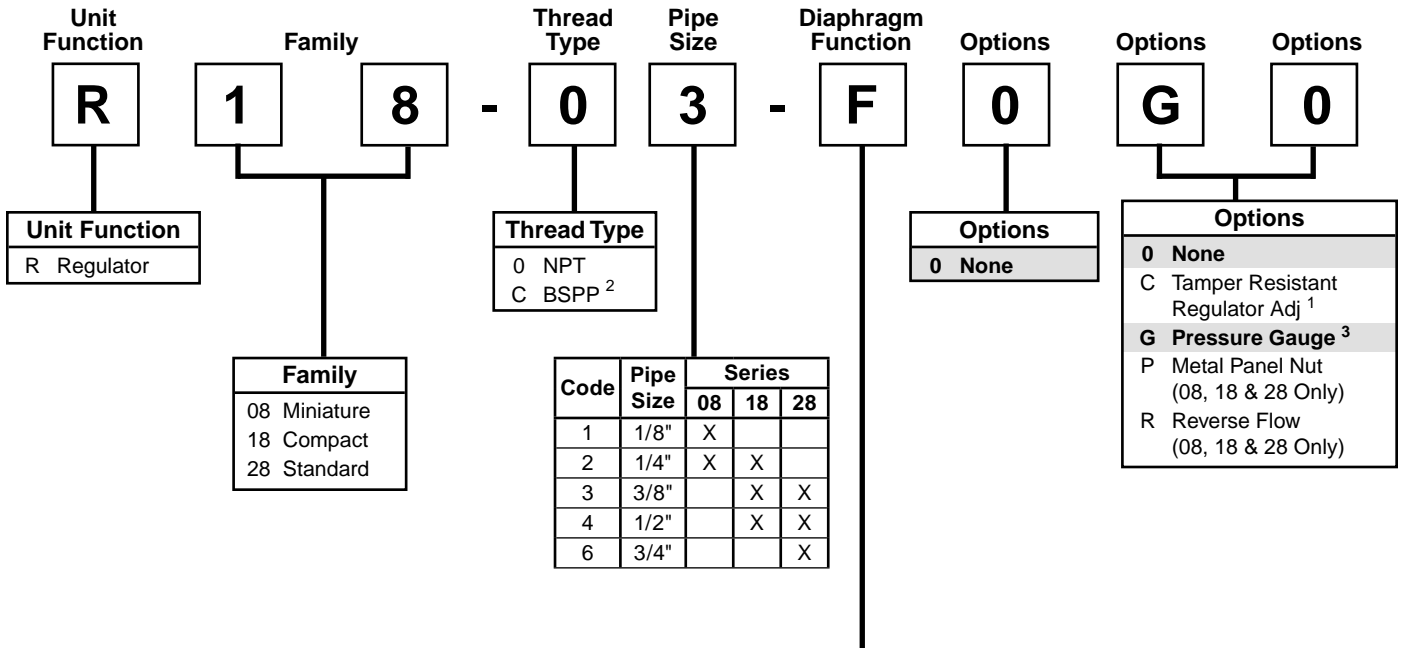
# Notes

**B**

Filters, Regulators, Lubricators

# Regulator Numbering System

   = "Most Popular"



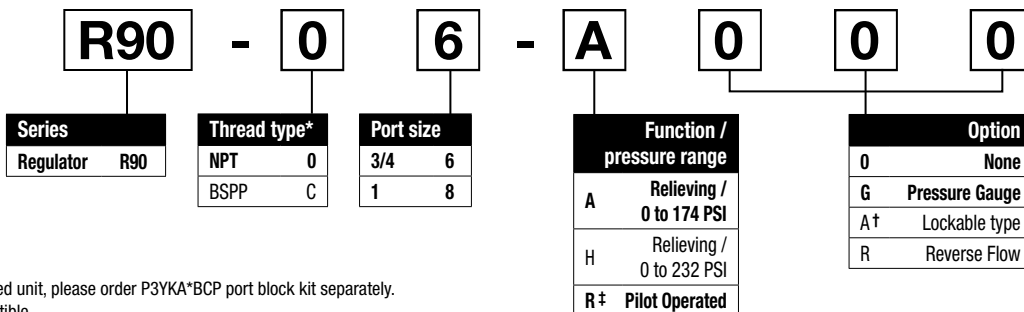
B  
Filters, Regulators, Lubricators

Diaphragm Function	Fluorocarbon	Spring Range				
		0 to 30 PSIG (0 to 2.1 bar)	0 to 60 PSIG (0 to 4.1 bar)	0 to 125 PSIG (0 to 8.6 bar)	0 to 200 PSIG <sup>4</sup> (0 to 13.7 bar)	0 to 250 PSIG <sup>4</sup> (0 to 17.2 bar)
Relieving	No	C	D	<b>F</b>	H	G
	Yes	J	K	L	N	M
Non-relieving	No	P	W	R	T	S
	Yes	V	X	Y	U	Z

<sup>1</sup> Tamper kit not installed. Kit is shipped loose in carton, for 08, 18 & 28 NPT units.  
<sup>2</sup> ISO, R228 (G Series).  
<sup>3</sup> For 08 Series only: "G" in position 8 or 9 is for unit with flush mounted pressure gauge. Units without gauge have 1/8" threaded gauge ports, and a center back mounted pressure gauge must be ordered separately.  
<sup>4</sup> Not Available on 08 Series.

**NOTE:** When selecting from the options columns, please enter letters in alphabetical order for positions 7, 8, and 9.  
**For example:**

**R 18 - 03 - F 0 G 0**



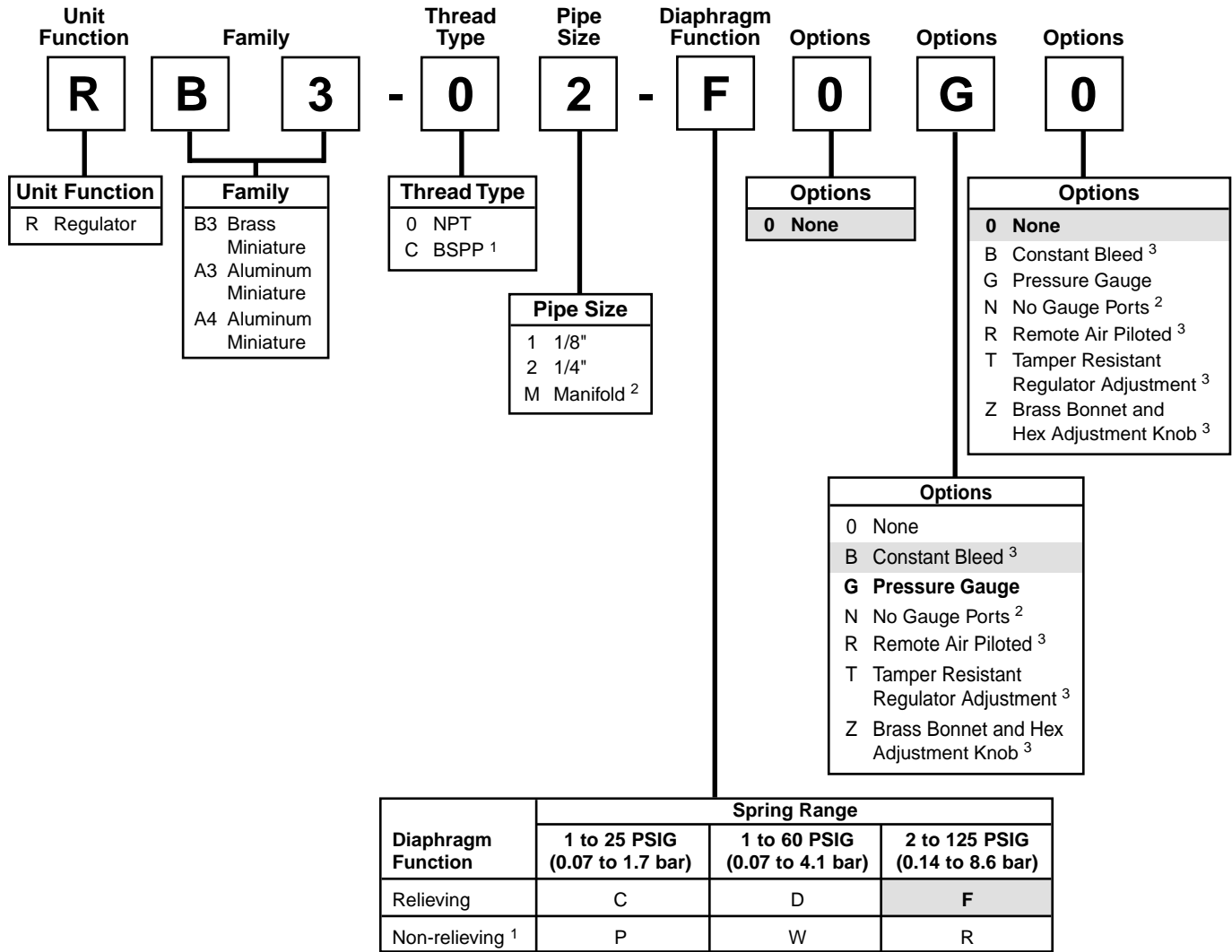
**Notes:**  
 \* For 1-1/2" ported unit, please order P3YKA\*BCP port block kit separately.  
 † Not field convertible.  
 ‡ No options available on pilot operated.

**Bold items are most common.**

# RB3 / RA3 Series Regulator Numbering System    = "Most Popular"

**B**

Filters, Regulators, Lubricators



<sup>1</sup> ISO, R228 (G Series)

<sup>2</sup> RA4 Only

<sup>3</sup> Not available on RA4

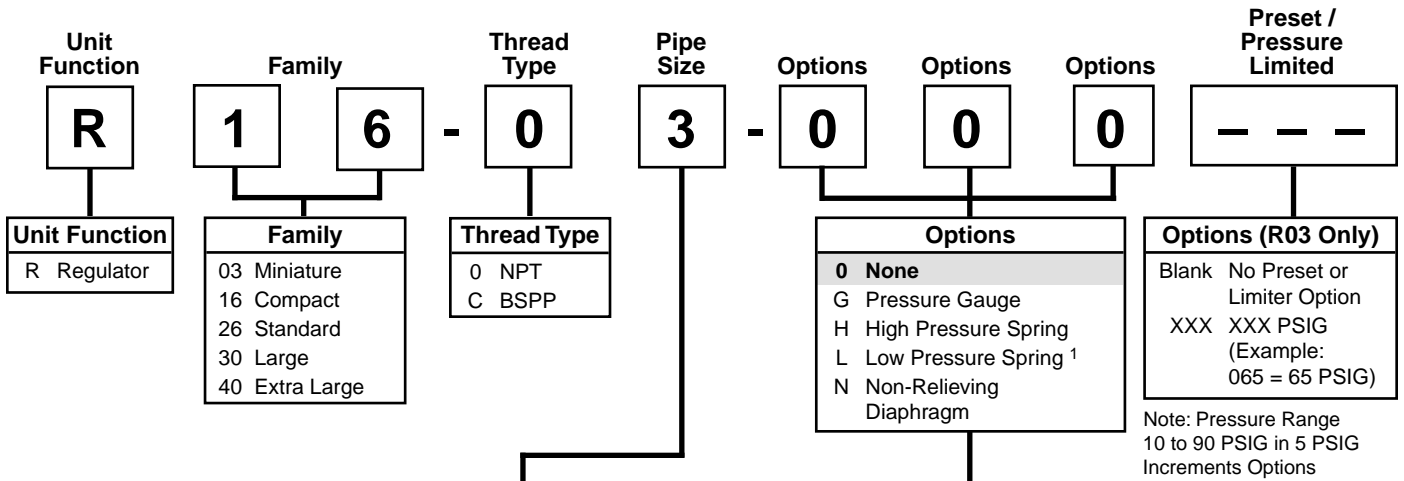
**NOTE:** When selecting from the options columns, please enter letters in alphabetical order for positions 8, and 9.  
For example:

**RB3 - 0 2 - F 0 G T**

**NOTE:** Standard pressure adjustment is plastic "snap lock" knob and plastic bonnet with plastic panel mount nut.

# Regulator Numbering System

   = "Most Popular"



Family	
03	Miniature
16	Compact
26	Standard
30	Large
40	Extra Large

Thread Type	
0	NPT
C	BSPP

Options	
<b>0</b>	<b>None</b>
G	Pressure Gauge
H	High Pressure Spring
L	Low Pressure Spring <sup>1</sup>
N	Non-Relieving Diaphragm

Options (R03 Only)	
Blank	No Preset or Limiter Option
XXX	XXX PSIG (Example: 065 = 65 PSIG)

Note: Pressure Range 10 to 90 PSIG in 5 PSIG Increments Options

Code	Pipe Size	Series				
		03	16	26	30	40
1	1/8"	X				
2	1/4"	X	X	X		
3	3/8"		X	X		
4	1/2"		X	X		
6	3/4"				X	
8	1"				X	
B	1-1/2"					X
C	2"					X

Options (R03 Only)	
<b>0</b>	<b>Standard, 2 to 125 PSI, Relieving</b>
G**	Pressure Gauge
J*†	Preset, Adjustable
K*†	Preset, Non-Adj. / Epoxy
L	1 to 60 PSI, Relieving
M	Panel Nut Included
N	2 to 125 PSI, Non-Relieving
P	1 to 30 PSI, Relieving
Q	1 to 15 PSI, Relieving
R*†	Pressure Limiter
S	1 to 60 PSI, Non-Relieving
T	1 to 30 PSI, Non-Relieving
U	1 to 15 PSI, Non-Relieving

- \* Inlet pressure is 100 PSIG. For other pressures, consult factory.
- \*\* Not available with BSPP thread type.
- † Must specify preset or limited pressure.

Spring Type by Preset / Limited Pressure:  
 For Preset / Limited Pressure 10 to 25 use 30 PSI Spring  
 For Preset / Limited Pressure 26 to 50 use 60 PSI Spring  
 For Preset / Limited Pressure 51 to 90 use 125 PSI Spring

**If more than one option is desired, arrange them in alphabetical order in positions 6, 7, and 8.**

<sup>1</sup> Not available on R30.

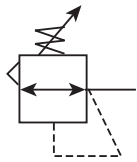
**B**  
Filters, Regulators, Lubricators

# Miniature Regulator R03

= "Most Popular"

**B**

Filters, Regulators, Lubricators



**R03-02-000**

## Features

- Unbalanced Poppet Standard
- Solid Control Piston with Lip Seal for Extended Life
- Non-rising Adjusting Knob
- Compact, 3.08 inch (78mm) High by 1.65 inch (42mm) Wide
- Easily Serviced

## Specifications

Flow Capacity*	1/8	13 SCFM (6.14 dm <sup>3</sup> /s)
	1/4	15 SCFM (7.08 dm <sup>3</sup> /s)
Gauge Ports (2)	1/8	
Port Threads	1/8, 1/4 Inch	
Supply Pressure	0 to 300 PSIG (0 to 20.7 bar)	
Operating Temperature	32°F to 125°F (0°C to 52°C)	
Secondary Pressure Ranges –		
Standard Pressure	2 to 125 PSIG (0 to 8.6 bar)	
Medium Pressure	1 to 60 PSIG (0 to 4.1 bar)	
Medium Pressure	1 to 30 PSIG (0 to 2.1 bar)	
Low Pressure	1 to 15 PSIG (0 to 1.0 bar)	
Weight	.3 lb. (.14 kg)	

\* Inlet pressure 100 PSIG (6.9 bar). Secondary pressure 90 PSIG (6.2 bar) and 10 PSIG pressure drop.

## Materials of Construction

Adjusting Nut	Brass
Adjusting Stem & Spring	Steel
Body	Zinc
Bonnet, Seat, Piston & Valve Poppet	Plastic
Seals	Nitrile

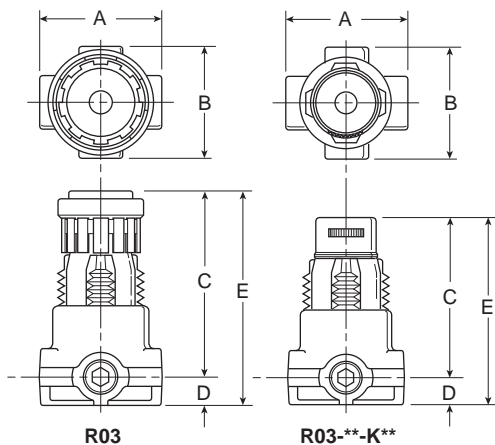
### WARNING

**Product rupture can cause serious injury.  
Do not connect regulator to bottled gas.  
Do not exceed maximum primary pressure rating.**

## CAUTION:

**REGULATOR PRESSURE ADJUSTMENT** – The working range of knob adjustment is designed to permit outlet pressures within their full range. Pressure adjustment beyond this range is also possible because the knob is not a limiting device. This is a common characteristic of most industrial regulators, and limiting devices may be obtained only by special design.

For best performance, regulated pressure should always be set by increasing the pressure up to the desired setting.



Note: 1.218" dia. (31) mm hole required for panel mounting.

## Dimensions

Model	Inches (mm)	A	B	C	D	E
Standard Unit R03-XX-XXX		1.65 (42)	1.56 (39.6)	2.50 (63.5)	.38 (9.6)	2.88 (73)
Preset, Non-Adjustable Unit R03-XX-KXX		1.65 (42)	1.56 (39.6)	2.28 (57.9)	.38 (9.6)	2.66 (67.6)

### Replacement Kits

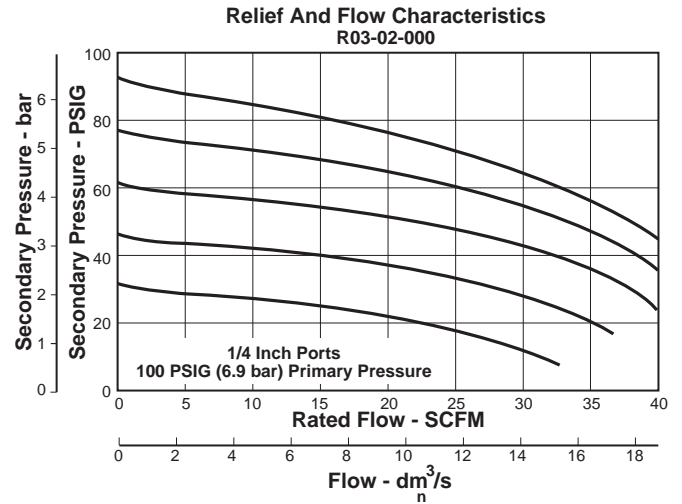
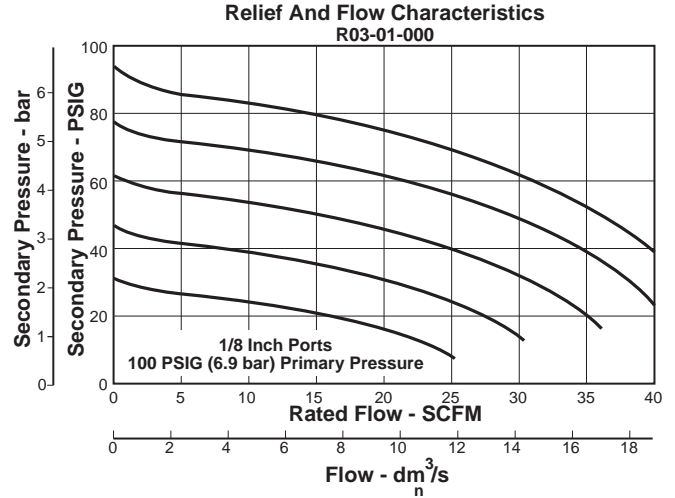
- Poppet / Piston Kits –
  - Unbalanced, Non-Relieving ..... PS428P
  - Unbalanced, Relieving ..... PS426P
- Springs –
  - 1-30 PSIG Range ..... P01175
  - 1-60 PSIG Range ..... P01174
  - 2-125 PSIG Range ..... P01173
  - 1-15 PSIG Range ..... P01176
- Tamperproof Metal Disc ..... P01265

### Accessories

- Gauge, Pressure –
  - 30 PSIG, 1/8" NPT (0 to 2.1 bar) ..... K4515N18030
  - 60 PSIG, 1/8" NPT (0 to 4.1 bar) ..... K4515N18060
  - 160 PSIG, 1/8" NPT (0 to 11.0 bar) ..... K4515N18160
- Mounting Bracket Kit\* (Includes Panel Mount Nut) ..... PS417B
- Panel Mount Nuts\* –
  - Plastic ..... P78652
  - Metal ..... P01531

\*Tighten panel mount nut 2.8 to 3.4 Nm (25 to 30 in-lbs) of torque.

   = "Most Popular"



**B**

Filters, Regulators, Lubricators

Ordering Information					
Model Type	Port Size	Without Gauge 2 to 125 PSIG (0.2 to 8.6 bar)	Without Gauge 1 to 60 PSIG (0.2 to 4.1 bar)	Without Gauge 1 to 30 PSIG (0.2 to 2.1 bar)	Without Gauge 1 to 15 PSIG (0.2 to 1.0 bar)
Relieving	1/8	R03-01-000	R03-01-L00	R03-01-P00	R03-01-Q00
	1/4	R03-02-000	R03-02-L00	R03-02-P00	R03-02-Q00

Options - To order an option supplied with the unit model, add the appropriate coded suffix letter in the designated position of the model number.



# Miniature Regulator

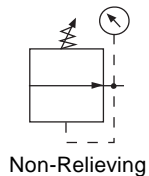
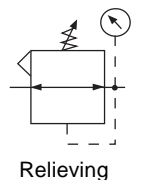
## RB3 – Brass

## RA3 – Aluminum

= "Most Popular"

B

Filters, Regulators, Lubricators



**RB3-02-F000**

### Features

- Brass Body Construction Handles Water and Compressed Air Service
- Large Diaphragm to Valve Area Ratio for Precise Regulation and High Flow Capacity
- Spring Loaded Diaphragm
- High Flow: 1/4" -14 SCFM
- Panel Mount Nut Standard
- Two 1/8" Gauge Ports

### Specifications

Flow Capacity*	1/4	14 SCFM (6.6 dm <sup>3</sup> /s)
Maximum Supply Pressure		300 PSIG (20.7 bar)
Operating Temperature		40° to 125°F (4.4° to 52°C)
Port Size	NPT / BSPP-G	1/8, 1/4
Weight	lb. (kg)	0.5 (0.23)

\* Inlet pressure 100 PSIG (6.9 bar). Secondary pressure 90 PSIG (6.2 bar). (flow at 25% pressure drop)

### Materials of Construction

Body	RB3	Brass
	RA3	Aluminum
Bonnet		Acetal
Diaphragm & Seals		Nitrile
Valve Assembly & Bottom Plug		Brass

**Note:** Panel Nut included, but not shown on dimensional drawing.

**Note:** 1.19" dia. (30.2) mm hole required for panel mounting.

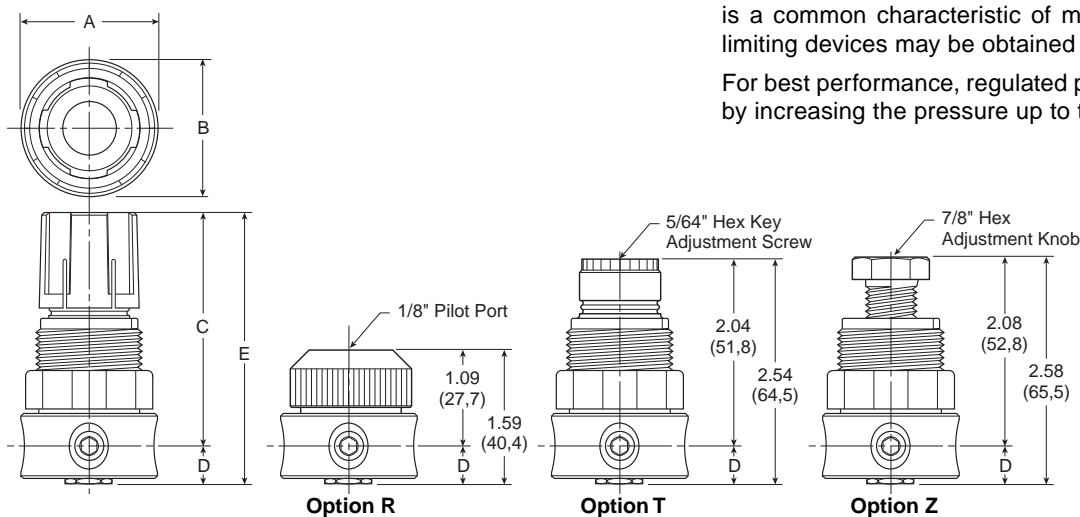
### WARNING

**Product rupture can cause serious injury.  
Do not connect regulator to bottled gas.  
Do not exceed maximum primary pressure rating.**

### CAUTION:

**REGULATOR PRESSURE ADJUSTMENT** – The working range of knob adjustment is designed to permit outlet pressures within their full range. Pressure adjustment beyond this range is also possible because the knob is not a limiting device. This is a common characteristic of most industrial regulators, and limiting devices may be obtained only by special design.

For best performance, regulated pressure should always be set by increasing the pressure up to the desired setting.



### Dimensions

Model	Inches (mm)	A	B	C	D	E
Brass Regulator - Miniature RB3-XX-XXXX		1.56 (39.8)	1.56 (39.8)	2.56 (65)	.50 (12.7)	3.06 (77.7)
Aluminum Regulator - Miniature RA3-XX-XXXX		1.56 (39.8)	1.56 (39.8)	2.56 (65)	.50 (12.7)	3.06 (77.7)

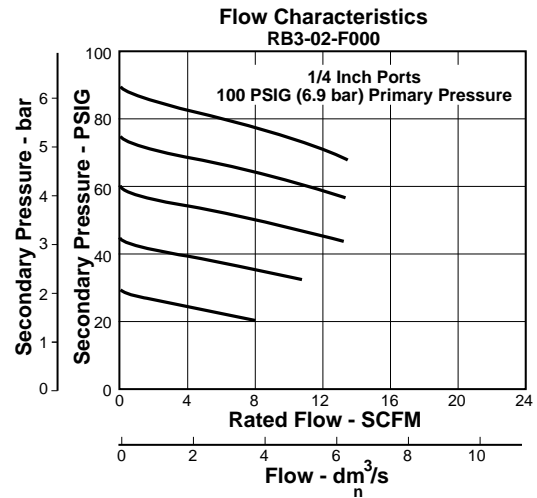
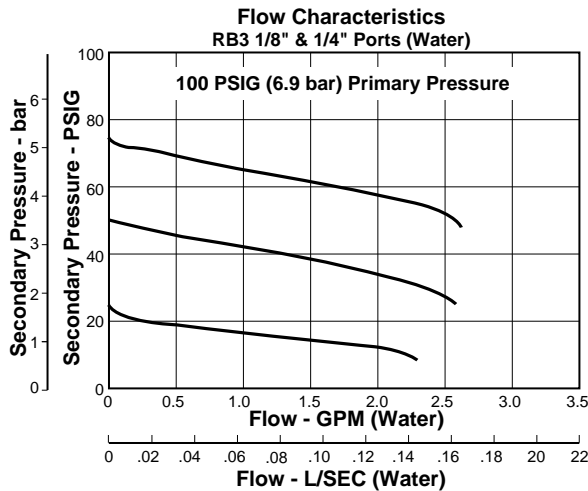
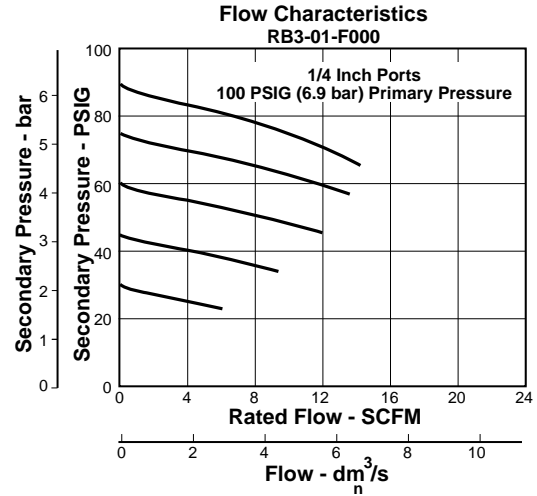
### Repair Kits

- Bonnet, Knob, Adjusting Screw Kit..... RRP-96-821
- Bonnet, Tamper Resistant Adjustment Kit..... RRP-96-822
- Repair Kit –
  - Relieving..... RRP-96-824
  - Non-relieving ..... RRP-96-825

### Accessories

- Gauge, Pressure –
  - 0-160 PSI (0-11,0 bar), 1-1/2" Dial Face,  
1/8" NPT, CBM .....K4515N18160
  - 0-60 PSI (0-4,1 bar), 1-1/2" Dial Face,  
1/8" NPT ..... K4515N18060
- Panel Mount Nut –
  - Aluminum.....RPA-96-733
  - Plastic.....RPA-96-734
- Wall Mounting Bracket –
  - L-Type .....GRP-95-147
  - L-Type with Plastic Panel Mount Nut.....GRP-95-747

= "Most Popular"



### Ordering Information

Model Type	Port Size	Without Gauge 2 to 125 PSI (0.14 to 8.6 bar)	Without Gauge 1 to 60 PSI (0.07 to 4.1 bar)	Without Gauge 1-25 PSI (0.07 to 1.7 bar)
Relieving	1/8"	RB3-01-F000	RB3-01-D000	RB3-01-C000
	1/4"	RB3-02-F000	RB3-02-D000	RB3-02-C000
Non-relieving	1/8"	RB3-01-R000	RB3-01-W000	RB3-01-P000
	1/4"	RB3-02-R000	RB3-02-W000	RB3-02-P000
Relieving	1/8"	RA3-01-F000	RA3-01-D000	RA3-01-C000
	1/4"	RA3-02-F000	RA3-02-D000	RA3-02-C000
Non-relieving	1/8"	RA3-01-R000	RA3-01-W000	RA3-01-P000
	1/4"	RA3-02-R000	RA3-02-W000	RA3-02-P000

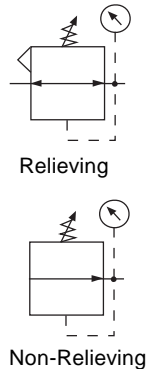
Options - To order an option supplied with the unit model, add the appropriate coded suffix letter in the designated position of the model number.

# Miniature Regulator RA4

= "Most Popular"

**B**

Filters, Regulators, Lubricators



**RA4-02-F000 RA4-0M-F000**

## Features

- Diaphragm Operated for Fast Operation.
- Large Diaphragm to Valve Area Ratio for Precise Regulation and High Flow Capacity.
- Balanced Valve Design for Precise Regulation.
- Available in 2 or 4<sup>†</sup> Port Design.
- Available With a Manifold Mount to Minimize Plumbing.
- Suitable for Low Temperature Applications.
- Non-Rising Adjusting Knob.
- 1/8" - 17 SCFM\*
- 1/4" - 19 SCFM\*

\* SCFM = Standard cubic feet per minute at 100 PSIG inlet, 90 PSIG no flow secondary setting and 10 PSIG pressure drop.

† Not Available with Manifold Mount.

## Specifications

Operating Temperature	-40° F to 150°F (-40° C to 65.5°C)
Supply Pressure	300 PSIG Maximum (20.4 bar)
Port Threads	1/8, 1/4 Inch
Gauge Ports	(2) Std 1/8 Inch (No Gauge Port Version Available)
Weight	.25 lbs. (0.11 kg)

## Materials of Construction

Body	Aluminum
Bonnet	Acetal
Diaphragm & Seals	Nitrile
Valve Assembly	Brass
Springs	Steel
Panel Nut	Acetal

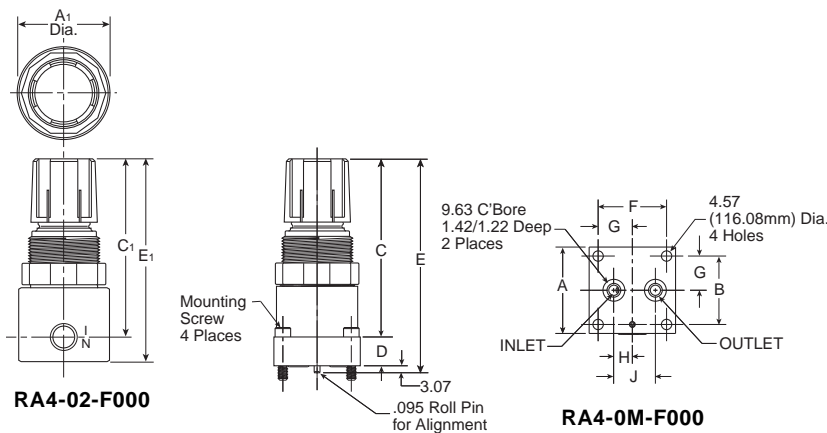
### **⚠ WARNING**

**Product rupture can cause serious injury.  
Do not connect regulator to bottled gas.  
Do not exceed maximum primary pressure rating.**

### CAUTION:

**REGULATOR PRESSURE ADJUSTMENT** – The working range of knob adjustment is designed to permit outlet pressures within their full range. Pressure adjustment beyond this range is also possible because the knob is not a limiting device. This is a common characteristic of most industrial regulators, and limiting devices may be obtained only by special design.

For best performance, regulated pressure should always be set by increasing the pressure up to the desired setting.



## Dimensions

Models	Inches (mm)	A	A1	B	B1	C	C1	D	E	E1	F	G	H	J
Brass Regulator - Miniature RA4-XX-XXXX		1.5 (38.1)	1.56 (39.7)	1.188 (30.18)	1.56 (39.7)	2.75 (69.92)	2.7 (68.7)	.5 (12.7)	3.25 (82.62)	3.25 (82.62)	1.188 (30.18)	.6 (15.09)	.32 (8.26)	.73 (18.42)

= "Most Popular"

## Replacement Kits

### Diaphragm Assembly -

- Non-relieving ..... GRP-96-726
- Relieving ..... GRP-96-725

### Spring, Regulating -

- 0 to 30 PSIG (0 to 2.1 bar) ..... GRP-95-111
- 0 to 60 PSIG (0 to 4.1 bar) ..... GRP-96-718
- 0 to 125 PSIG (0 to 8.6 bar) ..... GRP-96-717
- Valve Assembly ..... RRP-96-727
- Valve Spring ..... RRP-96-728

## Accessories

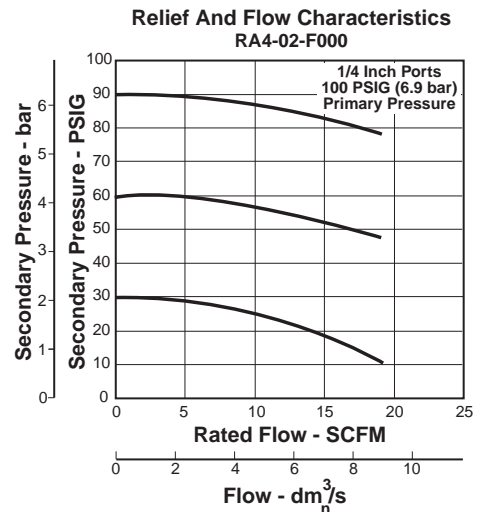
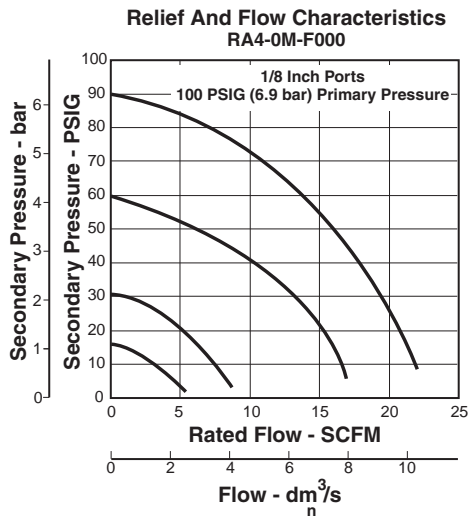
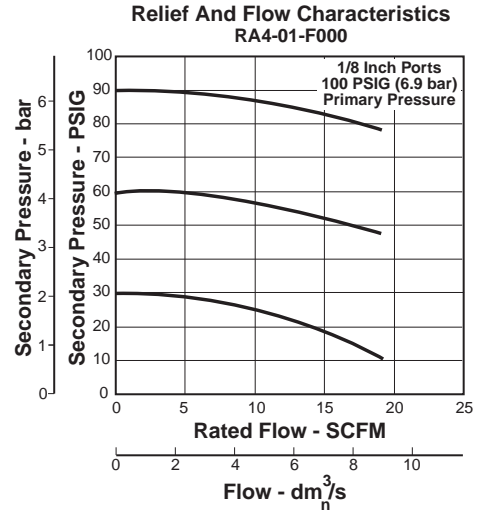
- Adjusting Knob ..... RRP-16-005-000

### Panel Mount Nut -

- Aluminum ..... RPA-96-733
- Plastic ..... RPA-96-734

## Gauges

- 0 to 60 PSIG (0 to 4.1 bar), 1-1/2" Dial Face, 1/8 NPT, CBM ..... K4515N18060
- 0 to 160 PSIG (0 to 11.0 bar), 1-1/2" Dial Face, 1/8 NPT, CBM ..... K4515N18160
- Tamper Resistant Kit ..... RPA-96-735

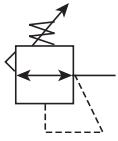


## Ordering Information

Model Type	Port Size	Without Gauge 0 to 30 PSIG (0.0 to 2.1 bar)	Without Gauge 0 to 60 PSIG (0.0 to 4.1 bar)	Without Gauge 0 to 125 PSIG (0.0 to 8.6 bar)	With Gauge 0 to 30 PSIG (0.0 to 2.1 bar)	With Gauge 0 to 60 PSIG (0.0 to 4.1 bar)	With Gauge 0 to 125 PSIG (0.0 to 8.6 bar)
Relieving	1/8"	RA4-01-C000	RA4-01-D000	RA4-01-F000	RA4-01-C0G0	RA4-01-D0G0	RA4-01-F0G0
	1/4"	RA4-02-C000	RA4-02-D000	RA4-02-F000	RA4-02-C0G0	RA4-02-D0G0	RA4-02-F0G0
	Manifold Mount	RA4-0M-C000	RA4-0M-D000	RA4-0M-F000			
Non-relieving	1/8"	RA4-01-P000	RA4-01-W000	RA4-01-R000	RA4-01-P0G0	RA4-01-W0G0	RA4-01-R0G0
	1/4"	RA4-02-P000	RA4-02-W000	RA4-02-R000	RA4-02-P0G0	RA4-02-W0G0	RA4-02-R0G0
	Manifold Mount	RA4-0M-P000	RA4-0M-W000	RA4-0M-R000			

# Miniature Regulator R24, R25

= "Most Popular"



**R25-02C**

## Features

- Lightweight Plastic Body
- Constructed with a Combination of N.S.F. and F.D.A. Approved Materials
- Unbalanced Poppet Standard
- Non-rising, Push-to-lock Adjusting Knob
- Compact, 3.10 inch (79mm) high by 1.60 inch (41mm) wide
- Lightweight
- Diaphragm Operated

## Specifications

Maximum Supply Pressure	150 PSIG (10 bar)	
Operating Temperature	40° to 125°F (4.4° to 52°C)	
Gauge Ports (2)	(Can be used for full flow)	1/8 Inch
Port Size	NPT	1/8, 1/4
Weight	lb. (kg)	0.25 (0.11)

## Materials of Construction

Adjusting Screw	Steel
Body	Acetal
Bonnet and Seat	Acetal
Diaphragm (R25)	Buna N
Diaphragm (R24)	EPDM
Seals (R25)	Buna N
Seals (R24)	EPDM
Springs	Stainless Steel
Valve Poppet (R25)	Buna N
Valve Poppet (R24)	EPDM

**Note:** 1.25" dia. (31.8) mm hole required for panel mounting.

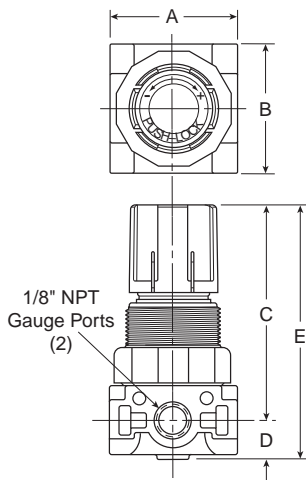
### ⚠ WARNING

**Product rupture can cause serious injury.  
Do not connect regulator to bottled gas.  
Do not exceed maximum primary pressure rating.**

## CAUTION:

**REGULATOR PRESSURE ADJUSTMENT** – The working range of knob adjustment is designed to permit outlet pressures within their full range. Pressure adjustment beyond this range is also possible because the knob is not a limiting device. This is a common characteristic of most industrial regulators, and limiting devices may be obtained only by special design.

For best performance, regulated pressure should always be set by increasing the pressure up to the desired setting.



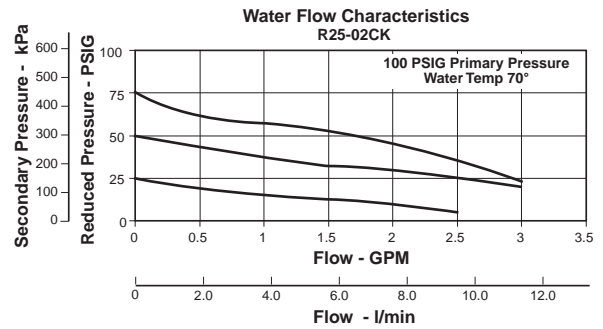
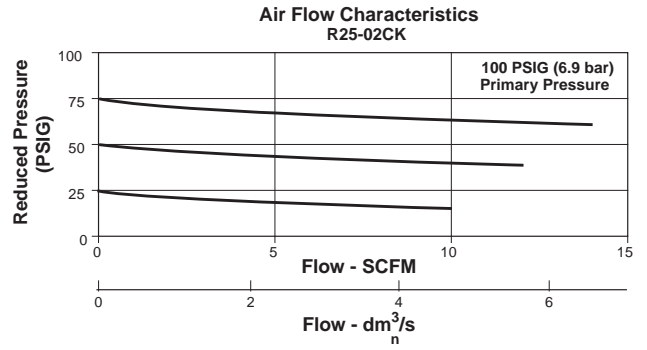
## Dimensions

Model	Inches (mm)	A	B	C	D	E
Regulator - Miniature, Air Service R25-XXX		1.60 (41)	1.60 (41)	2.61 (66)	0.49 (13)	3.10 (79)
Regulator - Miniature, Water Service R24-XXX		1.60 (41)	1.60 (41)	2.61 (66)	0.49 (13)	3.10 (79)

 = "Most Popular"

### Kits and Accessories

- Panel Mount Nut –
  - Plastic ..... R05X51-P
  - Aluminum ..... R05X51-A
- Mounting Bracket and Nut ..... SA161X57
- Service Kits –
  - Relieving (Buna) ..... RKR25Y
  - Non-Relieving (Buna) ..... RKR25KY
  - Relieving (EPDM) ..... RKR24Y
  - Non-Relieving (EPDM) ..... RKR24KY
- Springs –
  - 0-25 psig Spring ..... SPR-375-1
  - 0-60 psig Spring ..... SPR-376
  - 0-125 psig Spring ..... SPR-377



**B**  
Filters, Regulators, Lubricators

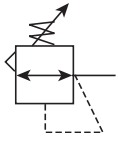
### Ordering Information

Model Type	Port Size	Without Gauge 0 to 125 PSI (0 to 8.6 bar)
Air Service Relieving	1/8"	R25-01C
	1/4"	R25-02C
Water Service Non-relieving	1/8"	R25-01CK
	1/4"	R25-02CK

Options - To order an option supplied with the unit model, add the appropriate coded suffix letter in the designated position of the model number.

# Miniature Regulator R45, R46

= "Most Popular"



**R45-03C**

## Features

- Lightweight Plastic Body
- Constructed with a Combination of N.S.F. and F.D.A. Approved Materials
- Unbalanced Poppet Standard
- Non-rising, Push-to-lock Adjusting Knob
- Compact, 3.43 inch (87mm) high by 2.06 inch (52.3mm) wide
- Lightweight
- Diaphragm Operated

## Specifications

Maximum Supply Pressure	150 PSIG (10 bar)	
Operating Temperature	40° to 125°F (4.4° to 52°C)	
Gauge Ports (2)	(Can be used for full flow)	1/4 Inch
Port Size	NPT	1/4, 3/8
Weight	lb. (kg)	0.38 (0.17)

## Materials of Construction

Adjusting Screw	Steel
Body	Acetal
Bonnet and Seat	Acetal
Diaphragm (R45)	Buna N
Diaphragm (R46)	EPDM
Seals (R45)	Buna N
Seals (R46)	EPDM
Springs	Stainless Steel
Valve Poppet (R45)	Buna N
Valve Poppet (R46)	EPDM

**Note:** 1.25" dia. (31.8) mm hole required for panel mounting.

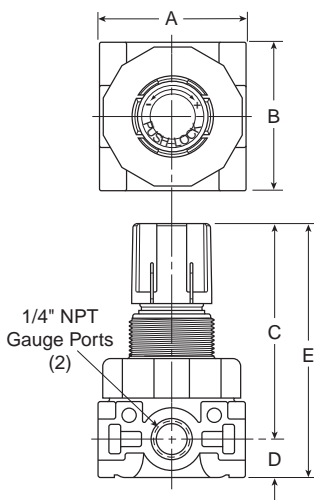
### **WARNING**

**Product rupture can cause serious injury.  
Do not connect regulator to bottled gas.  
Do not exceed maximum primary pressure rating.**

## CAUTION:

**REGULATOR PRESSURE ADJUSTMENT** – The working range of knob adjustment is designed to permit outlet pressures within their full range. Pressure adjustment beyond this range is also possible because the knob is not a limiting device. This is a common characteristic of most industrial regulators, and limiting devices may be obtained only by special design.

For best performance, regulated pressure should always be set by increasing the pressure up to the desired setting.



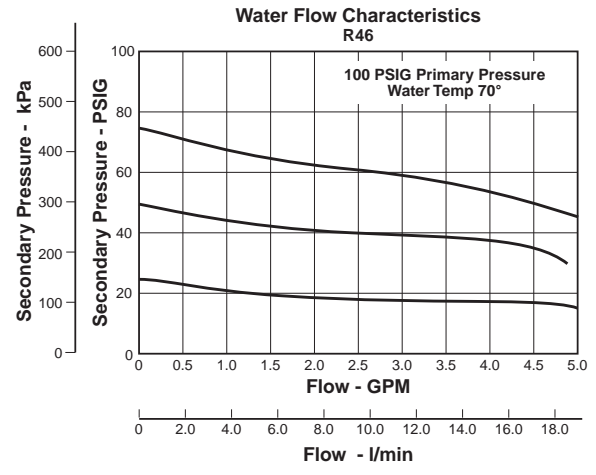
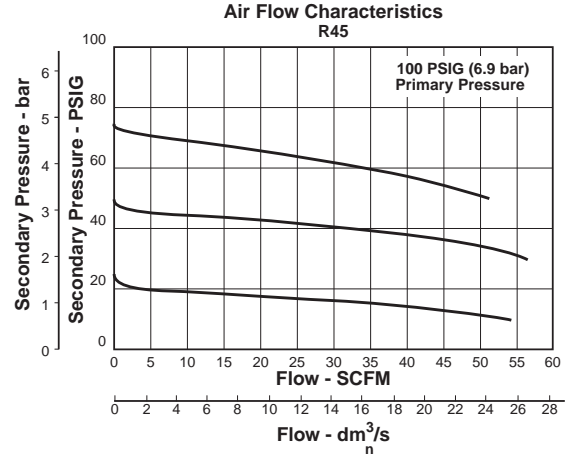
## Dimensions

Model	Inches (mm)	A	B	C	D	E
Regulator - Miniature, Air Service R45-XXX		2.06 (52)	2.06 (52)	2.90 (74)	0.53 (143)	3.43 (87)
Regulator - Miniature, Water Service R46-XXX		2.06 (52)	2.06 (52)	2.90 (74)	0.53 (143)	3.43 (87)

= "Most Popular"

### Kits and Accessories

- Panel Mount Nut –
  - Plastic ..... R05X51-P
  - Aluminum ..... R05X51-A
- Mounting Bracket and Nut ..... SA161X57
- Service Kits –
  - Relieving (Buna) ..... RKR45Y
  - Non-Relieving (Buna) ..... RKR45KY
- Springs –
  - 0-25 psig Spring ..... SPR-46
  - 0-60 psig Spring ..... SPR-47
  - 0-125 psig Spring ..... SPR-48



**B**  
Filters, Regulators, Lubricators


### Ordering Information

Model Type	Port Size	Without Gauge 0 to 125 PSI (0 to 8.6 bar)
Air Service Relieving	1/4"	R45-02C
	3/8"	R45-03C
Water Service Non-relieving	1/4"	R46-02CK
	3/8"	R46-03CK

Options - To order an option supplied with the unit model, add the appropriate coded suffix letter in the designated position of the model number.



# Regulator R08

 = "Most Popular"

## Specifications

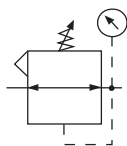
Flow Capacity*	1/8	29.2 SCFM (13.5 dm <sup>3</sup> /s)
	1/4	44.0 SCFM (18.9 dm <sup>3</sup> /s)
Adjusting Range Pressure	0 to 30 PSIG (0 to 2.1 bar)	
	0 to 60 PSIG (0 to 4.1 bar)	
	0 to 125 PSIG (0 to 8.6 bar)	

Gauge Port (2 ea.)** NPT	1/8
Maximum Supply Pressure	300 PSIG (20.7 bar)
Operating Temperature†	-4° to 150°F (-20° to 65.5°C)
Port Size	NPT / BSPP-G 1/8, 1/4
Weight	lb. (kg) .66 (0.3)

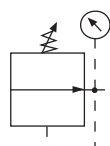
\* Inlet pressure 100 PSIG (6.9 bar). Secondary pressure 90 PSIG (6.2 bar).

\*\* Non-gauge option only.

† Units with square gauges: -15°C to 65.5°C (5°F to 150°F)



Relieving



Non-Relieving



R08-01-F0G0



R08-01-F000

## Features

- Balanced Valve Design
- 2 Gauge Ports
- Serviceability and Ease of Maintenance
- Unique Flush-mounted Pressure Gauge
- Light Weight
- Modern Design and Appearance

## Materials of Construction

Adjustment Knob	Acetal
Body	Zinc
Body Cap	ABS
Bonnet	PBT
Bottom Plug	33% Glass-Filled Nylon
Diaphragm Assembly	Brass / Nitrile
Panel Nut	Acetal
Seals	Nitrile
Springs	Steel
Valve Assembly	Brass / Nitrile

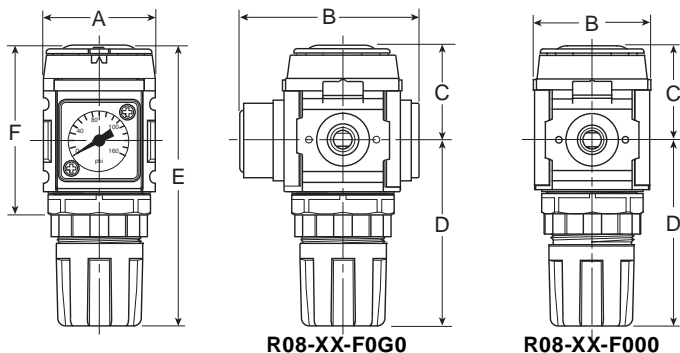
### WARNING

**Product rupture can cause serious injury.  
Do not connect regulator to bottled gas.  
Do not exceed maximum primary pressure rating.**

### CAUTION:

**REGULATOR PRESSURE ADJUSTMENT** – The working range of knob adjustment is designed to permit outlet pressures within their full range. Pressure adjustment beyond this range is also possible because the knob is not a limiting device. This is a common characteristic of most industrial regulators, and limiting devices may be obtained only by special design.

For best performance, regulated pressure should always be set by increasing the pressure up to the desired setting.



R08-XX-F0G0

R08-XX-F000

**NOTES:** Flush mounted gauge kits will not fit units originally purchased with threaded gauge ports.

1.25" Dia. (31.7 mm) hole required for panel nut mounting.

## Dimensions

Models	Inches (mm)	A	B	C	D	E	F
Standard Unit R08-XX-F000		1.58 (40)	1.58 (40)	1.34 (34)	2.60 (66)	3.94 (100)	2.40 (61)
With Gauge R08-XX-F0G0		1.58 (40)	2.53 (64)	1.34 (34)	2.60 (66)	3.94 (100)	2.40 (61)

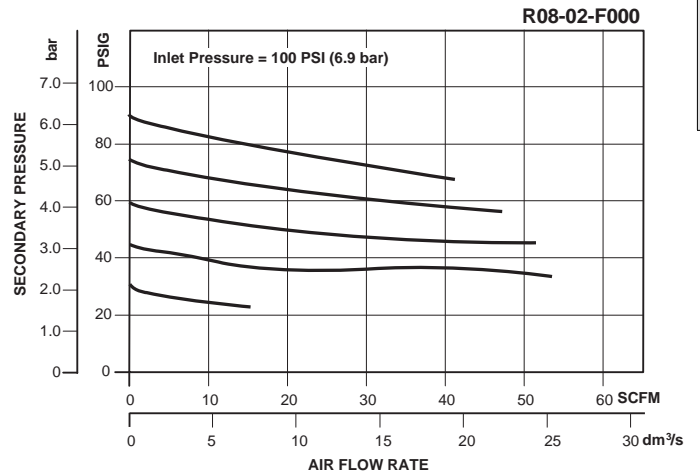
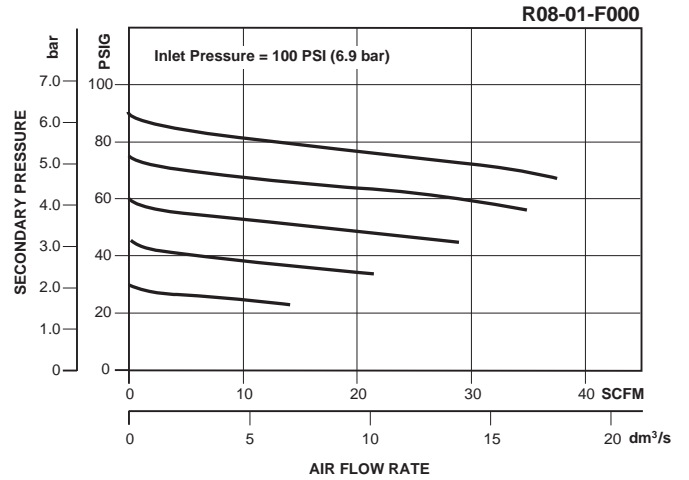
= "Most Popular"

### Replacement Kits

- Diaphragm Assembly –
  - Non-relieving ..... GRP-96-726
  - Relieving..... GRP-96-725
- Spring, Regulating –
  - 0 to 30 PSIG (0 to 2.1 bar) ..... GRP-95-111
  - 0 to 60 PSIG (0 to 4.1 bar) ..... GRP-96-718
  - 0 to 125 PSIG (0 to 8.6 bar) ..... GRP-96-717
- Valve Assembly.....RRP-96-727
- Valve Spring.....RRP-96-728

### Accessories

- Adjusting Knob..... RRP-16-005-000
- Bottom Plug..... RRP-16-383-000
- Gauge Adapter Block, 1/4" NPT, ..... GPA-97-037  
Replaces Flush Mount Gauge
- Panel Mount Nut –
  - Aluminum..... RPA-96-733
  - Plastic..... RPA-96-734
- Pressure Gauge –
  - Flush Mounted –
    - 0 to 150 PSIG .....K4511SCR160
    - 0 to 60 PSIG ..... K4511SCR060
    - 0 to 11 bar.....K4511SCR11B
  - 0 to 60 PSIG (0 to 4.1 bar),  
1-1/2" Dial Face, 1/8 NPT, CBM..... K4515N18060
  - 0 to 160 PSIG (0 to 11.0 bar),  
1-1/2" Dial Face, 1/8 NPT, CBM.....K4515N18160
- Tamper Resistant Kit..... RPA-96-735
- Wall Mounting Bracket –
  - C-Type ..... GPA-97-010
  - L-Type ..... GRP-96-739
  - T-Type ..... GPA-96-737



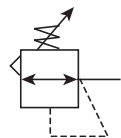
**B**  
Filters, Regulators, Lubricators

### Ordering Information

Model Type	Port Size	With Gauge 0 to 125 PSIG (0 to 8.6 bar)	With Gauge 0 to 30 PSIG (0 to 2.1 bar)	With Gauge 0 to 60 PSIG (0 to 4.1 bar)	Without Gauge 0 to 125 PSIG (0 to 8.6 bar)	Without Gauge 0 to 30 PSIG (0 to 2.1 bar)	Without Gauge 0 to 60 PSIG (0 to 4.1 bar)
Relieving	1/8	R08-01-F0G0	R08-01-C0G0	R08-01-D0G0	R08-01-F000	R08-01-C000	R08-01-D000
	1/4	R08-02-F0G0	R08-02-C0G0	R08-02-D0G0	R08-02-F000	R08-02-C000	R08-02-D000
Non-relieving	1/8	R08-01-R0G0	R08-01-P0G0	R08-01-W0G0	R08-01-R000	R08-01-P000	R08-01-W000
	1/4	R08-02-R0G0	R08-02-P0G0	R08-02-W0G0	R08-02-R000	R08-02-P000	R08-02-W000

**Options** - To order an option supplied with the unit model, add the appropriate coded suffix letter in the designated position of the model number.

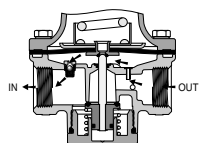
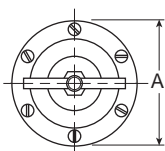
# Regulator R120



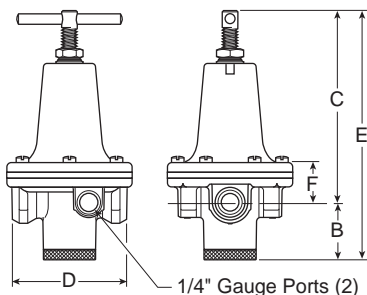
**R120-02-000**

## Features

- High flow performance featuring rugged design for the most demanding applications
- Ideal for those installations calling for constant pressure with wide variation in flow
- Diaphragm operated design with balanced poppet design for quick and accurate regulation
- Secondary aspiration plus balanced poppet provides quick response and accurate pressure regulation
- Heavy duty tee handle adjustment
- Reverse flow version available



Reverse Flow Option



1/4" Gauge Ports (2)

## Specifications

Flow Capacity <sup>§</sup>	1/4	100 SCFM (47.2 dm <sup>3</sup> /s)
	3/8	110 SCFM (51.9 dm <sup>3</sup> /s)
	1/2	150 SCFM (70.8 dm <sup>3</sup> /s)

Gauge Port (2 ea.)	NPT / BSPP-G	1/4
--------------------	--------------	-----

Reduced Pressure Range	2 to 125 PSIG (0.15 to 8.5 bar)	
------------------------	---------------------------------	--

Maximum Supply Pressure	300 PSIG (20.7 bar)	
-------------------------	---------------------	--

Operating Temperature	40° to 125°F (4.4° to 52°C)	
-----------------------	-----------------------------	--

Port Size	NPT / BSPP-G	1/4, 3/8, 1/2
-----------	--------------	---------------

Weight		
R120-02, R120-03	1.8 lb. (0.82 kg) / Unit	
	26 lb. (11.79) / 12-Unit Master Pack	
R120-04	3.2 lb. (1.45 kg) / Unit	
	27 lb. (12.25) / 8-Unit Master Pack	

<sup>§</sup> SCFM = Standard cubic feet per minute at 100 PSIG inlet, 75 PSIG no flow secondary setting, and 20 PSIG pressure drop.

## Materials of Construction

Adjustment Screw, Spring	Steel
Body, spring Cage	Zinc
Bottom Plug	Brass
Innervalve	Brass
Seals	Buna N

### WARNING

**Product rupture can cause serious injury.  
Do not connect regulator to bottled gas.  
Do not exceed maximum primary pressure rating.**

## CAUTION:

**REGULATOR PRESSURE ADJUSTMENT** – The working range of knob adjustment is designed to permit outlet pressures within their full range. Pressure adjustment beyond this range is also possible because the knob is not a limiting device. This is a common characteristic of most industrial regulators, and limiting devices may be obtained only by special design.

For best performance, regulated pressure should always be set by increasing the pressure up to the desired setting.

## Dimensions

Model	Inches (mm)	A	B	C	D	E	F
Standard Unit, 1/4 & 3/8 Port R120-XX-000		3.00 (76)	1.38 (35)	4.60 (117)	2.74 (70.5)	5.98 (152)	0.96 (24)
Standard Unit, 1/2 Port R120-X4-000		3.56 (90)	1.56 (40)	5.20 (132)	3.25 (83)	6.76 (172)	1.27 (32)

### R120 Kits and Accessories

**Gauges –**

- 2" Dial Size, 1/4" Back Connection  
0 to 60 PSIG (0 to 400 kPa)..... K4520N14060
- 2" Dial Size, 1/4" Back Connection  
0 to 160 PSIG (0 to 1100 kPa) ..... K4520N14160
- 2" Dial Size, 1/4" Back Connection  
0 to 300 PSIG (0 to 2068 kPa) ..... K4520N14300

**Mounting Bracket Kit –**

- 1/4", 3/8"..... WSA15Y57
- 1/2" ..... W18A57

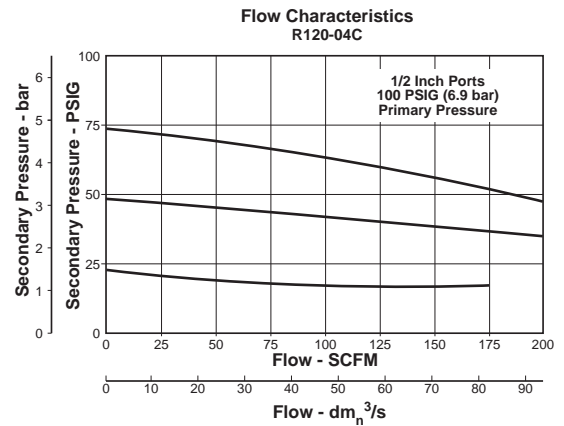
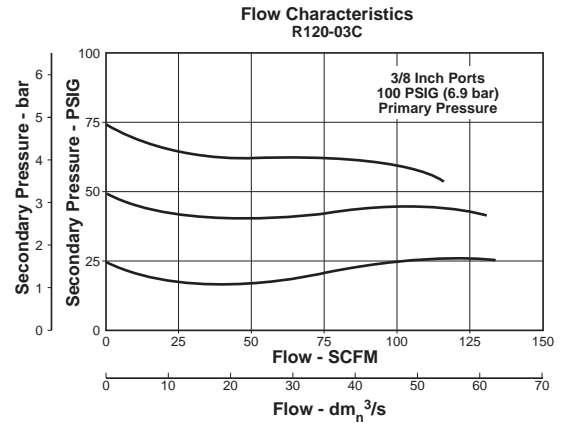
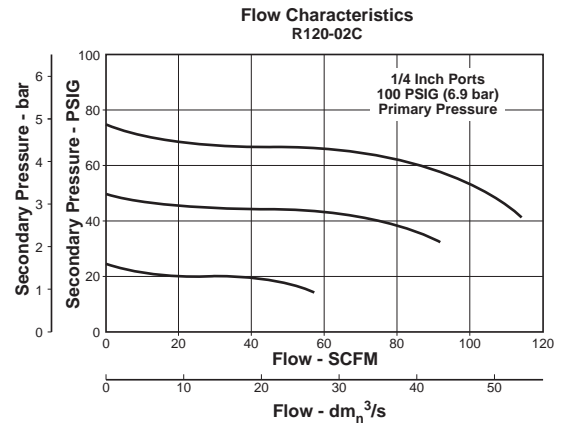
**Panel Mount Conversion Kit –**

- 1/4", 3/8" ..... W4202
- 1/2" ..... W4204

**Repair Kits –**

- Non-Relieving Diaphragm,  
Valve Assembly (1/4", 3/8"; All PSIG) ..... WRK118Y
- Relieving Diaphragm,  
Valve Assembly (1/4", 3/8"; All PSIG) ..... WRK119Y
- Non-Relieving Diaphragm,  
Valve Assembly (1/2"; 25, 60, 125 PSIG)..... WRK118A
- Non-Relieving Diaphragm,  
Valve Assembly (1/2"; 250 PSIG) ..... WRK118A250
- Relieving Diaphragm,  
Valve Assembly (1/2"; 25, 60, 125 PSIG)..... WRK119A
- Relieving Diaphragm,  
Valve Assembly (1/2"; 250 PSIG) ..... WRK119A250

For Fluorocarbon Repair Kits, add X64 to Kit Number suffix.



### Ordering Information

<b>R120</b> - <b>0</b>	<b>2</b> - <b>0</b>	<b>0</b>	<b>0</b>																																
<table border="1" style="margin: auto;"> <tr><th colspan="2">Series</th></tr> <tr><td>Regular</td><td>R120</td></tr> </table>	Series		Regular	R120	<table border="1" style="margin: auto;"> <tr><th colspan="2">Thread type</th></tr> <tr><td>NPT</td><td>0</td></tr> <tr><td>BSPP</td><td>C</td></tr> </table>	Thread type		NPT	0	BSPP	C	<table border="1" style="margin: auto;"> <tr><th colspan="2">Port size</th></tr> <tr><td>2</td><td>1/4</td></tr> <tr><td>3</td><td>3/8</td></tr> <tr><td>4</td><td>1/2</td></tr> </table>	Port size		2	1/4	3	3/8	4	1/2	<table border="1" style="margin: auto;"> <tr><th colspan="2">Options †</th></tr> <tr><td>G</td><td>Pressure Gauge</td></tr> <tr><td>H</td><td>High Pressure Spring (250 PSI)</td></tr> <tr><td>L</td><td>Low Pressure Spring (60 PSI)</td></tr> <tr><td>N*</td><td>Non-Relieving</td></tr> <tr><td>V</td><td>All Fluorocarbon</td></tr> <tr><td>X</td><td>Reverse Flow</td></tr> </table>	Options †		G	Pressure Gauge	H	High Pressure Spring (250 PSI)	L	Low Pressure Spring (60 PSI)	N*	Non-Relieving	V	All Fluorocarbon	X	Reverse Flow
Series																																			
Regular	R120																																		
Thread type																																			
NPT	0																																		
BSPP	C																																		
Port size																																			
2	1/4																																		
3	3/8																																		
4	1/2																																		
Options †																																			
G	Pressure Gauge																																		
H	High Pressure Spring (250 PSI)																																		
L	Low Pressure Spring (60 PSI)																																		
N*	Non-Relieving																																		
V	All Fluorocarbon																																		
X	Reverse Flow																																		

Standard pressure spring is 0 to 125 PSIG  
 \* **Note:** Non-relieving option not available with 250 PSI spring  
 † For additional options, add to end of model number.  
 Must be in alphabetical order and up to a total of 5 options.

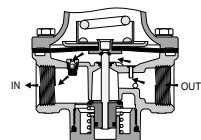
# Regulator R120



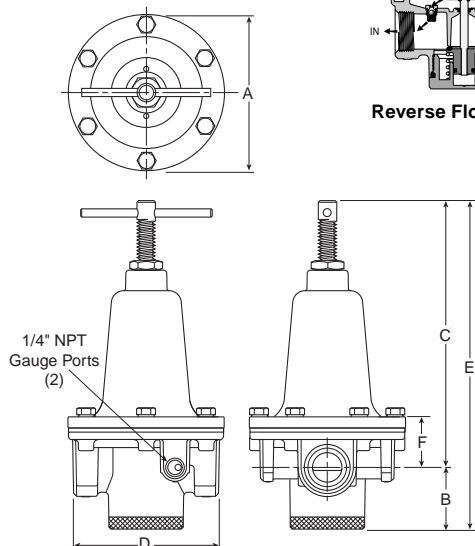
**R120-06-000**

## Features

- High flow performance featuring rugged design for the most demanding applications
- Ideal for those installations calling for constant pressure with wide variation in flow
- Diaphragm operated design with balanced poppet design for quick and accurate regulation
- Secondary aspiration plus balanced poppet provides quick response and accurate pressure regulation
- Heavy duty tee handle adjustment
- Reverse flow version available



Reverse Flow Option



## Specifications

Flow Capacity <sup>§</sup>	3/4	300 SCFM (141.6 dm <sup>3</sup> /s)
	1	400 SCFM (188.8 dm <sup>3</sup> /s)
Gauge Port (2 ea.)	NPT / BSPP-G	1/4
Reduced Pressure Range	2 to 125 PSIG (0.15 to 8.5 bar)	
Maximum Supply Pressure	300 PSIG (20.7 bar)	
Operating Temperature	40° to 125°F (4.4° to 52°C)	
Port Size	NPT / BSPP-G	3/4, 1
Weight	R120-06, R120-08	
	6.2 lb. (2.81 kg) / Unit	
	25 lb. (11.34) / 4-Unit Master Pack	

§ SCFM = Standard cubic feet per minute at 100 PSIG inlet, 75 PSIG no flow secondary setting, and 20 PSIG pressure drop.

## Materials of Construction

Adjustment Screw, Spring	Steel
Body, Spring Cage	Zinc
Bottom Plug	Brass
Innervale	Brass
Seals	Buna N

### WARNING

**Product rupture can cause serious injury.  
Do not connect regulator to bottled gas.  
Do not exceed maximum primary pressure rating.**

## CAUTION:

**REGULATOR PRESSURE ADJUSTMENT** – The working range of knob adjustment is designed to permit outlet pressures within their full range. Pressure adjustment beyond this range is also possible because the knob is not a limiting device. This is a common characteristic of most industrial regulators, and limiting devices may be obtained only by special design.

For best performance, regulated pressure should always be set by increasing the pressure up to the desired setting.

## Dimensions

Model	Inches (mm)	A	B	C	D	E	F
Standard Unit, 3/4" & 1" Port R120-XX-000		4.69 (119)	1.87 (47)	8.15 (207)	4.38 (111)	10.02 (255)	1.61 (41)

### R120 Kits and Accessories

Gauges –

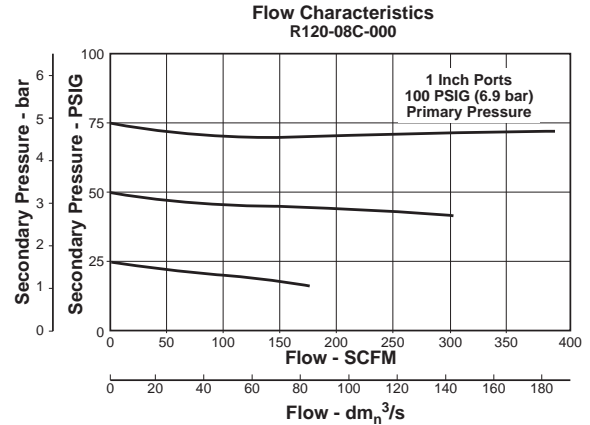
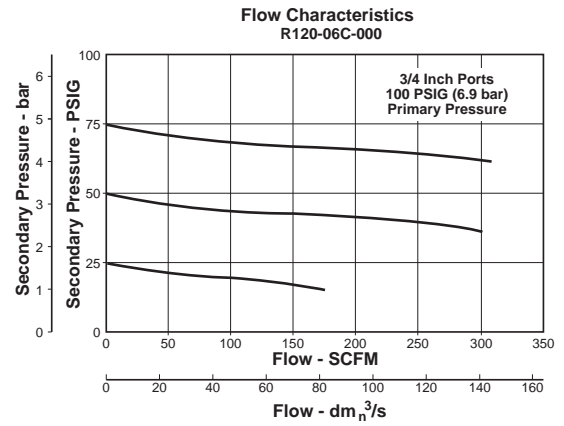
- 2" Dial Size, 1/4" Back Connection  
0 to 60 PSIG (0 to 400 kPa)..... K4520N14060
- 2" Dial Size, 1/4" Back Connection  
0 to 160 PSIG (0 to 1100 kPa) ..... K4520N14160
- 2" Dial Size, 1/4" Back Connection  
0 to 300 PSIG (0 to 2068 kPa) ..... K4520N14300

Mounting Bracket Kit .....W18B57

Repair Kits –

- Non-Relieving Diaphragm,  
Valve Assembly (3/4", 1") ..... WRK118B
- Relieving Diaphragm,  
Valve Assembly (1/4", 3/8"; All PSIG) ..... WRK119B

For Fluorocarbon Repair Kits, add X64 to Kit Number suffix.



**B**  
Filters, Regulators, Lubricators

### Ordering Information

<b>R120</b> - <b>0</b>	<b>6</b> - <b>0</b>	<b>0</b>	<b>0</b>																												
<table border="1" style="margin: auto;"> <tr><th colspan="2">Series</th></tr> <tr><td>Regular</td><td>R120</td></tr> </table>	Series		Regular	R120	<table border="1" style="margin: auto;"> <tr><th colspan="2">Thread type</th></tr> <tr><td>NPT</td><td>0</td></tr> <tr><td>BSPP</td><td>C</td></tr> </table>	Thread type		NPT	0	BSPP	C	<table border="1" style="margin: auto;"> <tr><th colspan="2">Port size</th></tr> <tr><td>6</td><td>3/4</td></tr> <tr><td>8</td><td>1</td></tr> </table>	Port size		6	3/4	8	1	<table border="1" style="margin: auto;"> <tr><th colspan="2">Options †</th></tr> <tr><td>G</td><td>Pressure Gauge</td></tr> <tr><td>H</td><td>High Pressure Spring (250 PSI)</td></tr> <tr><td>N</td><td>Non-Relieving</td></tr> <tr><td>V</td><td>All Fluorocarbon</td></tr> <tr><td>X</td><td>Reverse Flow</td></tr> </table>	Options †		G	Pressure Gauge	H	High Pressure Spring (250 PSI)	N	Non-Relieving	V	All Fluorocarbon	X	Reverse Flow
Series																															
Regular	R120																														
Thread type																															
NPT	0																														
BSPP	C																														
Port size																															
6	3/4																														
8	1																														
Options †																															
G	Pressure Gauge																														
H	High Pressure Spring (250 PSI)																														
N	Non-Relieving																														
V	All Fluorocarbon																														
X	Reverse Flow																														

Standard pressure spring is 0 to 125 PSIG.

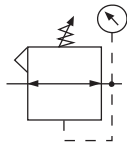
† For additional options, add to end of model number. Must be in alphabetical order and up to a total of 5 options.

# Regulator R18

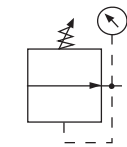
= "Most Popular"

**B**

Filters, Regulators, Lubricators



Relieving



Non-Relieving



**R18-02-F0G0**

## Features

- Balanced Valve Design
- Spring-loaded Diaphragm
- 4 Adjusting Pressure Ranges Available
- 1/2" NPT / BSPP-G Over-port
- Reverse-flow Available
- 2 Gauge Ports

## Specifications

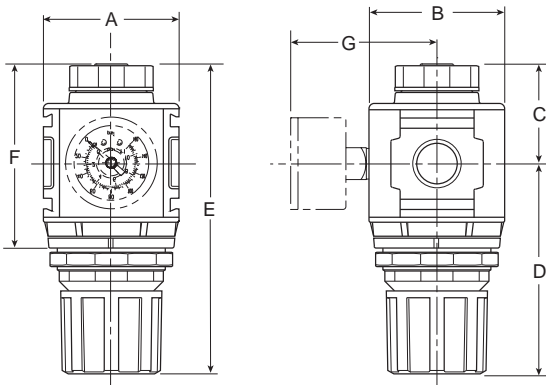
Flow Capacity*	1/4	82 SCFM (38.7 dm <sup>3</sup> /s)
	3/8	97 SCFM (45.7 dm <sup>3</sup> /s)
	1/2	97 SCFM (45.7 dm <sup>3</sup> /s)
Adjusting Range Pressure	0 to 30 PSIG (0 to 2.1 bar)	
	0 to 60 PSIG (0 to 4.1 bar)	
	0 to 125 PSIG (0 to 8.6 bar)	
	0 to 250 PSIG (0 to 17.2 bar)	

Gauge Port (2 ea.)	NPT / BSPP-G	1/4
Maximum Supply Pressure	300 PSIG (20.7 bar)	
Operating Temperature	-13° to 150°F (-25° to 65.5°C)	
Port Size	NPT / BSPP-G	1/4, 3/8, 1/2
Weight	lb. (kg)	1.16 (0.5)

\* Inlet pressure 100 PSIG (6.9 bar). Secondary pressure 90 PSIG (6.2 bar).

## Materials of Construction

Adjustment Knob	Acetal	
Body	Zinc	
Body Cap	ABS	
Bonnet	33% glass-filled nylon	
Bottom Plug	33% Glass-filled Nylon	
Diaphragm Assembly	Nitrile / Zinc	
Valve Assembly	Brass / Nitrile	
Panel Nut	Acetal	
Seals	Nitrile	
Springs	Main Regulating	Steel
	Valve	Stainless Steel



NOTE: 2" Dia. (51 mm) hole required for panel nut mounting.

## Dimensions

Models	Inches (mm)	A	B	C	D	E	F	G
Standard Unit R18-XX-F000		2.36 (60)	2.36 (60)	1.74 (44)	3.66 (93)	5.35 (136)	3.10 (78.7)	—
With Gauge R18-XX-F0G0		2.36 (60)	2.36 (60)	1.74 (44)	3.66 (93)	5.35 (136)	3.10 (78.7)	3.74 (94)

**⚠ WARNING**

**Product rupture can cause serious injury.  
Do not connect regulator to bottled gas.  
Do not exceed maximum primary pressure rating.**

## CAUTION:

**REGULATOR PRESSURE ADJUSTMENT** – The working range of knob adjustment is designed to permit outlet pressures within their full range. Pressure adjustment beyond this range is also possible because the knob is not a limiting device. This is a common characteristic of most industrial regulators, and limiting devices may be obtained only by special design.

For best performance, regulated pressure should always be set by increasing the pressure up to the desired setting.

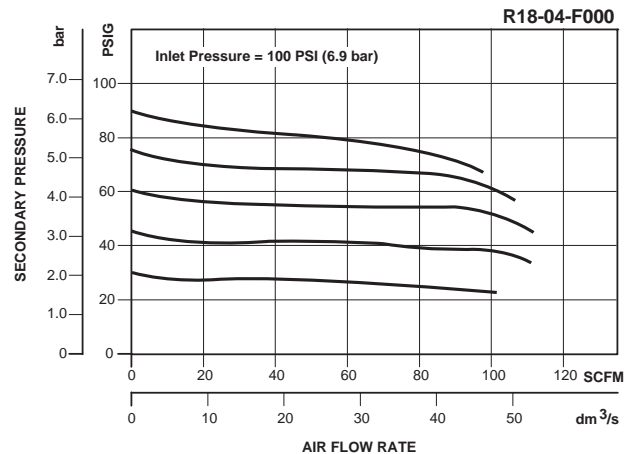
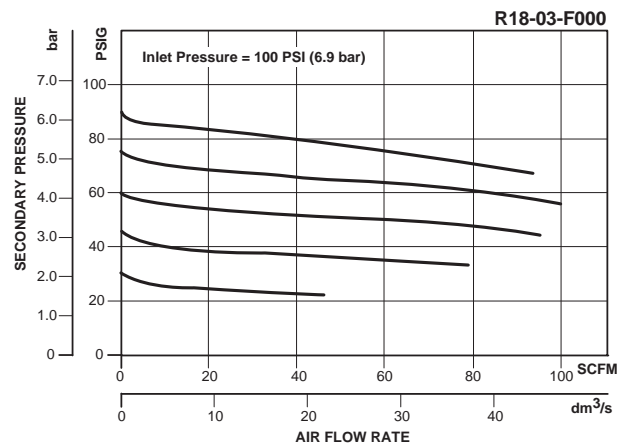
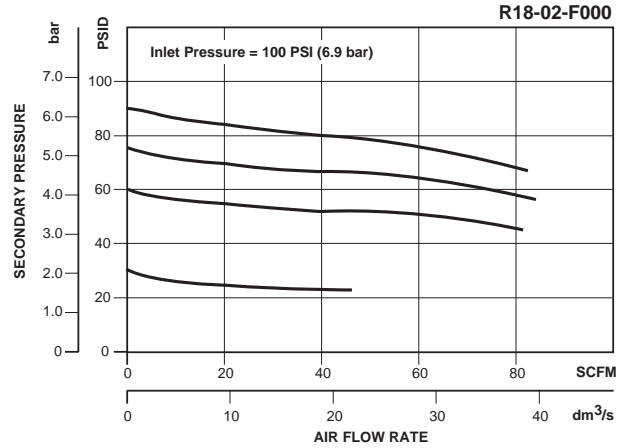
= "Most Popular"

### Replacement Kits

- Adjusting Knob..... RRP-16-340-000
- Diaphragm Assembly –
  - Non-relieving ..... RRP-96-657
  - Relieving..... RRP-96-656
- Spring, Regulating –
  - 0 to 30 PSIG (0 to 2.1 bar) ..... RRP-96-659
  - 0 to 60 PSIG (0 to 4.1 bar) ..... RRP-96-660
  - 0 to 125 PSIG (0 to 8.6 bar) ..... RRP-96-661
  - 0 to 250 PSIG (0 to 17.2 bar) ..... RRP-96-662
  - Valve Assembly ..... RRP-96-658

### Accessories

- Panel Mount Nut –
  - Aluminum..... RRP-96-673
  - Plastic..... RRP-96-675
- Gauge, Pressure –
  - 0 to 30 PSIG, 1-1/2" Dial Face, 1/4" NPT CBM ..... K4515N14030
  - 0 to 60 PSIG, 1-1/2" Dial Face, 1/4" NPT CBM ..... K4515N14060
  - 0 to 160 PSIG, 1-1/2" Dial Face, 1/4" NPT CBM ..... K4515N14160
  - 0 to 300 PSIG, 1-1/2" Dial Face, 1/4" NPT CBM ..... K4515N14300
  - 0 to 2.0 bar, 1-1/2" Dial Face, G 1/4" CBM..... K4515G14030
  - 0 to 4.1 bar, 1-1/2" Dial Face, G 1/4" CBM..... K4515G14060
  - 0 to 11 bar, 1-1/2" Dial Face, G 1/4" CBM..... K4515G14160
  - 0 to 21 bar, 1-1/2" Dial Face, G 1/4" CBM..... K4515G14290
  - 0 to 160 PSIG, 1-3/4" Digital Round, 1/4" NPT ..... K4517N14160D
- Tamper Resistant Kit..... RRP-96-671
- Wall Mounting Bracket –
  - L-Type ..... GPA-96-606
  - T-Type ..... GPA-96-602



### Ordering Information

Model Type	Port Size	With Gauge 5 to 125 PSIG (0.4 to 8.6 bar)	With Gauge 10 to 250 PSIG (0.7 to 17.2 bar)	With Gauge 3 to 60 PSIG (0.2 to 4.1 bar)	Without Gauge 5 to 125 PSIG (0.4 to 8.6 bar)	Without Gauge 10 to 250 PSIG (0.7 to 17.2 bar)	Without Gauge 3 to 60 PSIG (0.2 to 4.1 bar)
Relieving	1/4	R18-02-F0G0	R18-02-G0G0	R18-02-D0G0	R18-02-F000	R18-02-G000	R18-02-D000
	3/8	R18-03-F0G0	R18-03-G0G0	R18-03-D0G0	R18-03-F000	R18-03-G000	R18-03-D000
	1/2	R18-04-F0G0	R18-04-G0G0	R18-04-D0G0	R18-04-F000	R18-04-G000	R18-04-D000
Non-relieving	1/4	R18-02-R0G0	R18-02-S0G0	R18-02-W0G0	R18-02-R000	R18-02-S000	R18-02-W000
	3/8	R18-03-R0G0	R18-03-S0G0	R18-03-W0G0	R18-03-R000	R18-03-S000	R18-03-W000
	1/2	R18-04-R0G0	R18-04-S0G0	R18-04-W0G0	R18-04-R000	R18-04-S000	R18-04-W000

**Options** - To order an option supplied with the unit model, add the appropriate coded suffix letter in the designated position of the model number.



# Regulator R16

 = "Most Popular"

## Specifications

Flow Capacity*	1/4	71.5 SCFM (33.7 dm <sup>3</sup> /s)
	3/8	80.5 SCFM (38.0 dm <sup>3</sup> /s)
	1/2	88.0 SCFM (41.5 dm <sup>3</sup> /s)
Adjusting Range Pressure	0 to 60 PSIG (0 to 4.1 bar)	
	0 to 125 PSIG (0 to 8.6 bar)	
	0 to 250 PSIG (0 to 17.2 bar)	

Maximum Supply Pressure 300 PSIG (20.7 bar)

Operating Temperature 32° to 150°F (0° to 65.5°C)

Port Size NPT / BSPP-G 1/4, 3/8, 1/2

Gauge Port (2 ea.) NPT / BSPT-Rc 1/4

Weight lb. (kg) 1.7 (0.77)

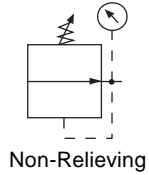
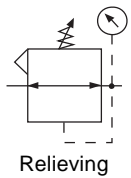
\* Inlet pressure 100 PSIG (6.9 bar). Secondary pressure 90 PSIG (6.2 bar).

## Materials of Construction

Body	Zinc
Bonnet	PBT
Diaphragm	Nitrile / Zinc
Panel Nut	Acetal
Seals	Nitrile
Springs	Steel
Valve Assembly	Brass / Nitrile / Acetal

B

Filters, Regulators, Lubricators



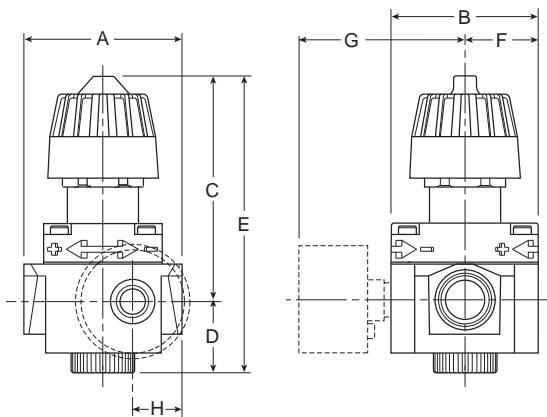
R16-02-000

## Features

- Non-Rising Adjustment Knob with Friction Lock Knob
- Standard with Two Full Flow 1/4" NPT / BSPT-Rc Gauge Ports
- Panel Mount Nut
- High Flow Capacity
- Balanced Valve Design for Excellent Regulation Characteristics

### WARNING

**Product rupture can cause serious injury.  
Do not connect regulator to bottled gas.  
Do not exceed maximum primary pressure rating.**



NOTE: 1.31" Dia. (33.3 mm) hole required for panel nut mounting.

## Dimensions

Models	Inches (mm)	A	B	C	D	E	F	G	H
Standard Unit R16-XX-000		2.99 (76)	2.59 (66)	3.99 (101.3)	1.20 (30.5)	5.19 (132)	1.29 (33)	— —	1.02 (25.9)
With Gauge R16-XX-G00		2.99 (76)	2.59 (66)	3.99 (101.3)	1.20 (30.5)	5.19 (132)	1.29 (33)	2.80 (71)	1.02 (25.9)

## CAUTION:

**REGULATOR PRESSURE ADJUSTMENT** – The working range of knob adjustment is designed to permit outlet pressures within their full range. Pressure adjustment beyond this range is also possible because the knob is not a limiting device. This is a common characteristic of most industrial regulators, and limiting devices may be obtained only by special design.

For best performance, regulated pressure should always be set by increasing the pressure up to the desired setting.

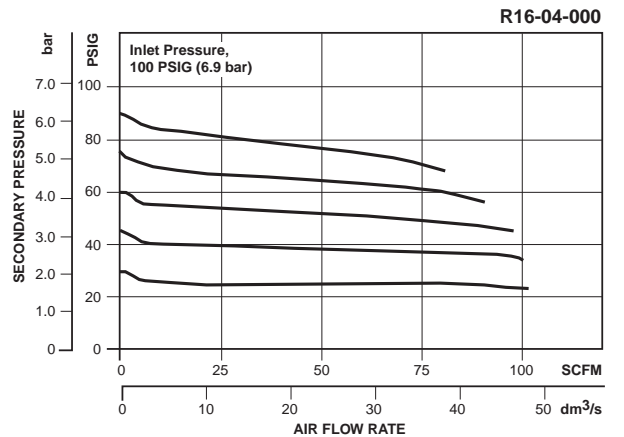
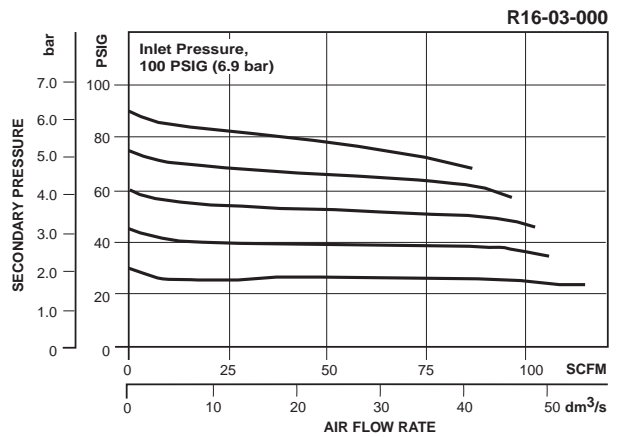
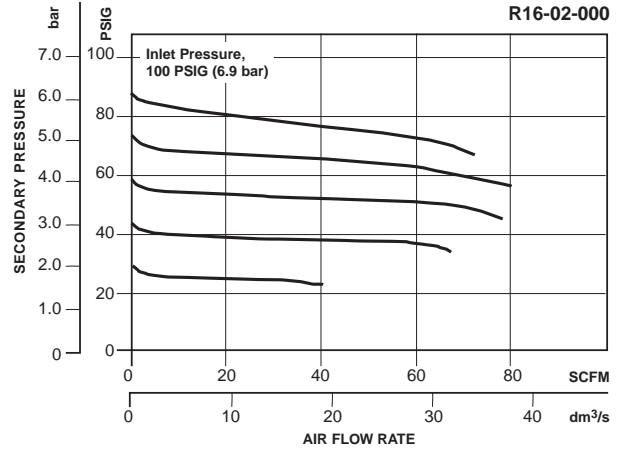
= "Most Popular"

### Replacement Kits

- Adjusting Knob..... RRP-95-023
- Diaphragm Assembly –
  - Non-relieving .....RRP-96-216
  - Self-relieving.....RRP-96-213
- Spring, Regulating –
  - 0 to 50 PSIG (0 to 3.4 bar)..... RRP-95-222
  - 0 to 125 PSIG (0 to 8.6 bar).....RRP-95-224
  - 0 to 250 PSIG (0 to 17.2 bar) .....RRP-95-218
- Valve Assembly –
  - Valve, Valve Spring, Bottom Plug O-ring.....RRP-96-215

### Accessories

- Gauge, Pressure –
  - 0 to 60 PSIG (0 to 4 bar), 2" Dial Face, 1/4 NPT, CBM..... K4520N14060W
  - 0 to 160 PSIG (0 to 11 bar), 2" Dial Face, 1/4 NPT, CBM.....K4520N14160W
  - 0 to 300 PSIG (0 to 20 bar), 2" Dial Face, 1/4 NPT, CBM..... K4520N14300W
  - 0 to 160 PSIG, 1-3/4" Digital Round ..... K4517N14160D
- Panel Mount Nut, Plastic ..... GPA-95-032
- Tamper Resistant Kit, Ring Style.....RPA-95-006
- Wall Mounting Bracket, Gauge Port Adapter, 1/4 NPT ..... RRP-95-590
- Wall Mounting Bracket –
  - L-Type, Heavy Duty .....RPA-95-090
  - L-Type, Standard.....GPA-95-012
  - L-Type with Plastic Panel Mount Nut..... GPA-95-011



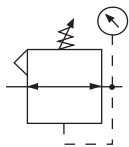
### Ordering Information

Model Type	Port Size	Without Gauge 5 to 125 PSIG (0.4 to 8.6 bar)	Without Gauge 10 to 250 PSIG (0.7 to 17.2 bar)	Without Gauge 3 to 60 PSIG (0.2 to 4.1 bar)	With Gauge 5 to 125 PSIG (0.4 to 8.6 bar)	With Gauge 10 to 250 PSIG (0.7 to 17.2 bar)	With Gauge 3 to 60 PSIG (0.2 to 4.1 bar)
<b>Relieving</b>	1/4	R16-02-000	R16-02-H00	R16-02-L00	R16-02-G00	R16-02-GH0	R16-02-GL0
	3/8	R16-03-000	R16-03-H00	R16-03-L00	R16-03-G00	R16-03-GH0	R16-03-GL0
	1/2	R16-04-000	R16-04-H00	R16-04-L00	R16-04-G00	R16-04-GH0	R16-04-GL0
<b>Non-relieving</b>	1/4	R16-02-N00	R16-02-HN0	R16-02-LN0	R16-02-GN0	R16-02-GHN	R16-02-GLN
	3/8	R16-03-N00	R16-03-HN0	R16-03-LN0	R16-03-GN0	R16-03-GHN	R16-03-GLN
	1/2	R16-04-N00	R16-04-HN0	R16-04-LN0	R16-04-GN0	R16-04-GHN	R16-04-GLN

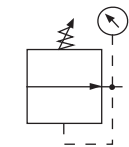
Options - To order an option supplied with the unit model, add the appropriate coded suffix letter in the designated position of the model number.

# Regulator R28

= "Most Popular"



Relieving



Non-Relieving



**R28-03-F0G0**

## Features

- Balanced Valve Design
- Spring-loaded Diaphragm
- 4 Adjusting Pressure Ranges Available
- 3/4" NPT / BSPP-G Over-port
- Reverse-flow Available
- 2 Gauge Ports

## Specifications

Flow Capacity*	3/8	162 SCFM (76.5 dm <sup>3</sup> /s)
	1/2	170 SCFM (80.2 dm <sup>3</sup> /s)
	3/4	176 SCFM (83.1 dm <sup>3</sup> /s)
Adjusting Range Pressure	0 to 30 PSIG (0 to 2.1 bar)	
	0 to 60 PSIG (0 to 4.1 bar)	
	0 to 125 PSIG (0 to 8.6 bar)	
	0 to 250 PSIG (0 to 17.2 bar)	

Gauge Port (2 ea.)	NPT / BSPP-G	1/4
Maximum Supply Pressure	300 PSIG (20.7 bar)	
Operating Temperature	-13° to 150°F (-25° to 65.5°C)	
Port Size	NPT / BSPP-G	3/8, 1/2, 3/4
Weight	lb. (kg)	1.7 (0.77)

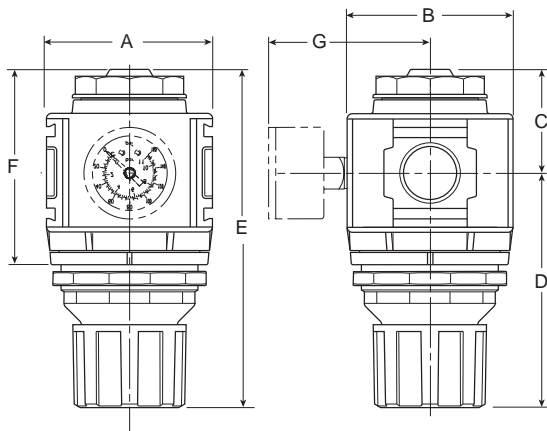
\* Inlet pressure 100 PSIG (6.9 bar). Secondary pressure 90 PSIG (6.2 bar).

## Materials of Construction

Adjustment Knob	Acetal	
Body	Aluminum	
Body Cap	ABS	
Bonnet	33% Glass-filled Nylon	
Diaphragm Assembly	Nitrile / Zinc	
Panel Nut	Acetal	
Seals	Nitrile	
Springs	Main Regulating	Steel
	Valve	Stainless Steel
Valve Assembly	Brass / Nitrile / Acetal	

**B**

Filters, Regulators, Lubricators



NOTE: 2.4" Dia. (61 mm) hole required for panel nut mounting.

## Dimensions

Models	Inches (mm)	A	B	C	D	E	F	G
Standard Unit R28-XX-F000		2.90 (73)	2.90 (73)	1.74 (44)	4.16 (105)	5.87 (149)	3.30 (84)	—
With Gauge R28-XX-F0G0		2.90 (73)	2.90 (73)	1.74 (44)	4.16 (105)	5.87 (149)	3.30 (84)	4.27 (108)

### ⚠ WARNING

**Product rupture can cause serious injury.  
Do not connect regulator to bottled gas.  
Do not exceed maximum primary pressure rating.**

### CAUTION:

**REGULATOR PRESSURE ADJUSTMENT** – The working range of knob adjustment is designed to permit outlet pressures within their full range. Pressure adjustment beyond this range is also possible because the knob is not a limiting device. This is a common characteristic of most industrial regulators, and limiting devices may be obtained only by special design.

For best performance, regulated pressure should always be set by increasing the pressure up to the desired setting.

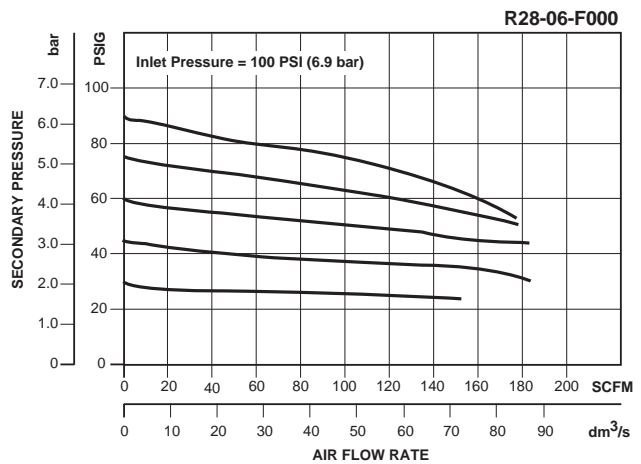
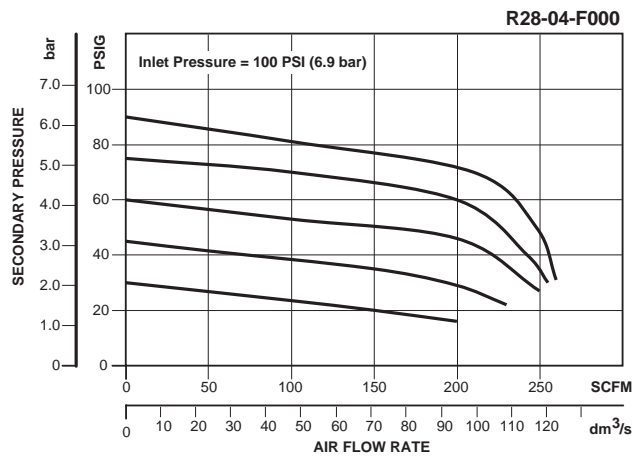
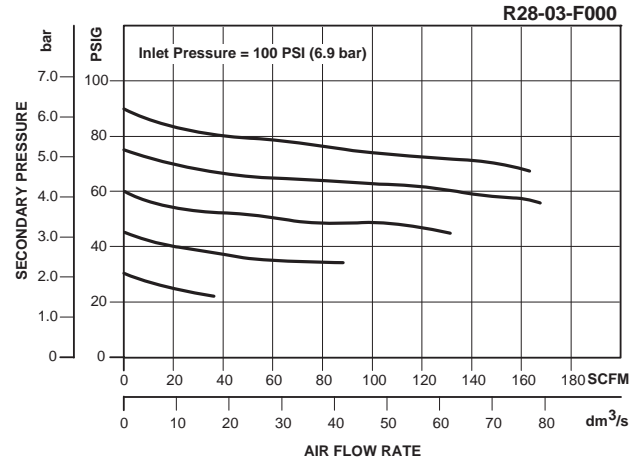
= "Most Popular"

### Replacement Kits

- Diaphragm Assembly –
  - Non-relieving ..... RRP-96-987
  - Relieving..... RRP-96-986
- Valve Assembly..... RRP-96-049
- Adjusting Knob..... RRP-16-341-000
- Spring, Regulating
  - 0 to 30 PSIG (0 to 2.1 bar) ..... RRP-96-163
  - 0 to 60 PSIG (0 to 4.1 bar) ..... RRP-96-164
  - 0 to 125 PSIG (0 to 8.6 bar) ..... RRP-96-165
  - 0 to 250 PSIG (0 to 17.2 bar) ..... RRP-96-166

### Accessories

- Panel Mount Nut –
  - Aluminum..... RRP-96-674
  - Plastic..... RRP-96-676
- Gauge, Pressure –
  - 0 to 30 PSIG, 1-1/2" Dial Face,  
1/4" NPT CBM ..... K4515N14030
  - 0 to 60 PSIG, 1-1/2" Dial Face,  
1/4" NPT CBM ..... K4515N14060
  - 0 to 160 PSIG, 1-1/2" Dial Face,  
1/4" NPT CBM ..... K4515N14160
  - 0 to 300 PSIG, 1-1/2" Dial Face,  
1/4" NPT CBM ..... K4515N14300
  - 0 to 2.0 bar, 1-1/2" Dial Face,  
G 1/4" CBM..... K4515G14030
  - 0 to 4.1 bar, 1-1/2" Dial Face,  
G 1/4" CBM..... K4515G14060
  - 0 to 11 bar, 1-1/2" Dial Face,  
G 1/4" CBM..... K4515G14160
  - 0 to 21 bar, 1-1/2" Dial Face,  
G 1/4" CBM..... K4515G14290
  - 0 to 160 PSIG, 1-3/4" Digital Round,  
1/4" NPT ..... K4517N14160D
- Tamper Resistant Kit..... RRP-96-672
- Wall Mounting Bracket
  - L-Type ..... GPA-96-607
  - T-Type ..... GPA-96-602



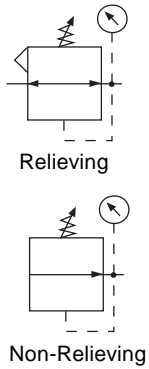
### Ordering Information

Model Type	Port Size	With Gauge 5 to 125 PSIG (0.4 to 8.6 bar)	With Gauge 10 to 250 PSIG (0.7 to 17.2 bar)	With Gauge 3 to 60 PSIG (0.2 to 4.1 bar)	Without Gauge 5 to 125 PSIG (0.4 to 8.6 bar)	Without Gauge 10 to 250 PSIG (0.7 to 17.2 bar)	Without Gauge 3 to 60 PSIG (0.2 to 4.1 bar)
Relieving	3/8	R28-03-F0G0	R28-03-G0G0	R28-03-D0G0	R28-03-F000	R28-03-G000	R28-03-D000
	1/2	R28-04-F0G0	R28-04-G0G0	R28-04-D0G0	R28-04-F000	R28-04-G000	R28-04-D000
	3/4	R28-06-F0G0	R28-06-G0G0	R28-06-D0G0	R28-06-F000	R28-06-G000	R28-06-D000
Non-relieving	3/8	R28-03-R0G0	R28-03-S0G0	R28-03-W0G0	R28-03-R000	R28-03-S000	R28-03-W000
	1/2	R28-04-R0G0	R28-04-S0G0	R28-04-W0G0	R28-04-R000	R28-04-S000	R28-04-W000
	3/4	R28-06-R0G0	R28-06-S0G0	R28-06-W0G0	R28-06-R000	R28-06-S000	R28-06-W000

**Options** - To order an option supplied with the unit model, add the appropriate coded suffix letter in the designated position of the model number.

# Regulator R26

= "Most Popular"



**R26-02-000**

## Features

- Non-Rising Adjustment Knob with Friction Lock Knob
- Standard with Two Full Flow 1/4" NPT / BSPT-Rc Gauge Ports
- Panel Mount Nut
- High Flow Capacity
- Balanced Valve Design for Excellent Regulation Characteristics

## Specifications

Flow Capacity*	1/4	112 SCFM (53 dm <sup>3</sup> /s)
	3/8	148 SCFM (70 dm <sup>3</sup> /s)
	1/2	185 SCFM (87 dm <sup>3</sup> /s)
Adjusting Range Pressure	0 to 60 PSIG (0 to 4.1 bar)	
	0 to 125 PSIG (0 to 8.6 bar)	
	0 to 250 PSIG (0 to 17.2 bar)	

Gauge Port (2 ea.)	NPT / BSPT-Rc	1/4
Operating Temperature	32° to 150°F (0° to 65.5°C)	
Maximum Supply Pressure	300 PSIG (21 bar)	
Port Size	NPT / BSPP-G	1/4, 3/8, 1/2
Weight	lb. (kg)	2.5 (1.34)

\* Inlet pressure 100 PSIG (6.9 bar). Secondary pressure 90 PSIG (6.2 bar).

## Materials of Construction

Body	Zinc
Bonnet	PBT
Diaphragm	Nitrile / Zinc
Panel Nut	Acetal
Seals	Nitrile
Springs	Steel
Valve Assembly	Brass / Nitrile / Acetal

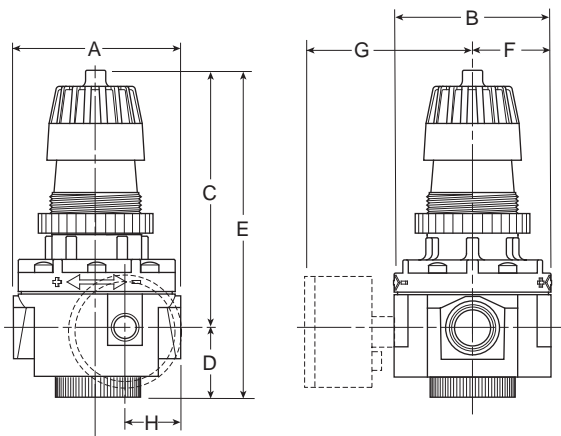
**⚠ WARNING**

**Product rupture can cause serious injury.  
Do not connect regulator to bottled gas.  
Do not exceed maximum primary pressure rating.**

## CAUTION:

**REGULATOR PRESSURE ADJUSTMENT** – The working range of knob adjustment is designed to permit outlet pressures within their full range. Pressure adjustment beyond this range is also possible because the knob is not a limiting device. This is a common characteristic of most industrial regulators, and limiting devices may be obtained only by special design.

For best performance, regulated pressure should always be set by increasing the pressure up to the desired setting.



**NOTE:** 1.88" Dia. (47.8 mm) hole required for panel nut mounting.

## Dimensions

Models	Inches (mm)	A	B	C	D	E	F	G	H
Standard Unit R26-XX-000		3.35 (85)	3.10 (79)	5.13 (130.3)	1.35 (34)	6.48 (165)	1.55 (39.4)	— —	1.13 (28.7)
With Gauge R26-XX-G00		3.35 (85)	3.10 (79)	5.13 (130.3)	1.35 (34)	6.48 (165)	1.55 (39.4)	3.13 (79.5)	1.13 (28.7)

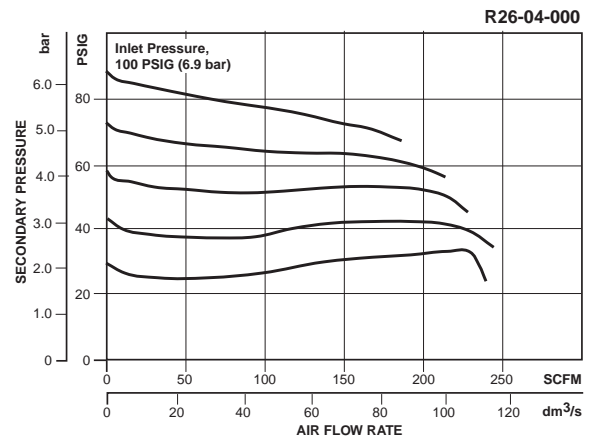
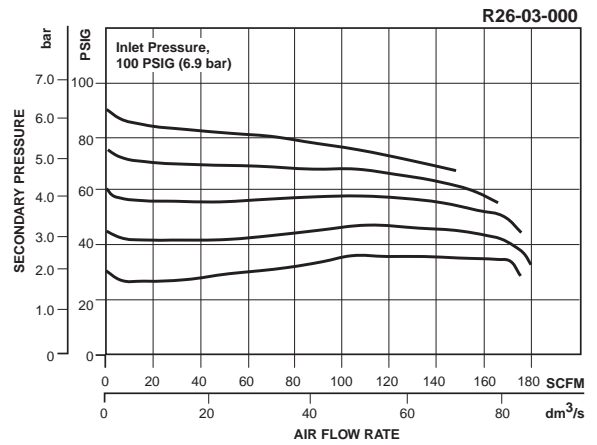
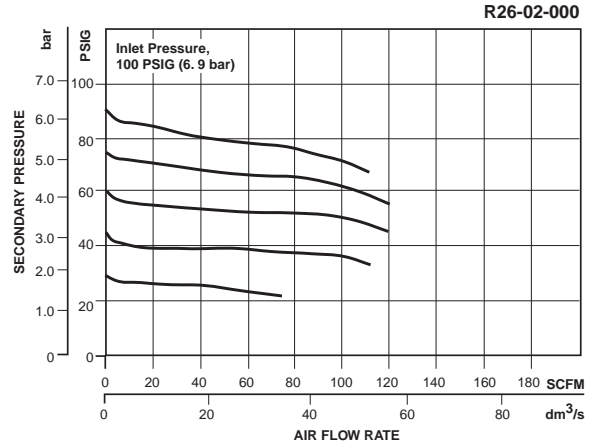
= "Most Popular"

### Replacement Kits

- Diaphragm Assembly –
  - Non-relieving ..... RRP-96-332
  - Self-relieving ..... RRP-96-238
- Knob, Adjusting –
  - Used on Units with Plastic Bonnets ..... RRP-95-023
- Spring, Regulating –
  - 0 to 60 PSIG (0 to 4,1 bar) ..... RRP-95-962
  - 0 to 125 PSIG (0 to 8,6 bar) ..... GRP-95-225
  - 0 to 250 PSIG (0 to 17,2 bar) ..... RRP-95-219
- Valve Assembly –
  - Valve, Valve Spring, Bottom Plug O-ring ..... RRP-96-294

### Accessories

- Gauge, Pressure –
  - 0 to 60 PSIG (0 to 4 bar), 2" Dial Face, 1/4" NPT, CBM ..... K4520N14060W
  - 0 to 160 PSIG (0 to 11 bar), 2" Dial Face, 1/4" NPT, CBM ..... K4520N14160W
  - 0 to 300 PSIG (0 to 20 bar), 2" Dial Face, 1/4" NPT, CBM ..... K4520N14300W
  - 0 to 160 PSIG, 1-3/4" Digital Round 1/4" NPT ..... K4517N14160D
- Nut, Panel Mount, Plastic ..... RRP-95-954
- Tamper Resistant Kit –
  - Ring Style used on Plastic Bonnets ..... RPA-95-006
- Wall Mounting Bracket –
  - C-type ..... GPA-95-051
  - C-type ..... RPA-95-947
  - L-Type – Heavy Duty ..... GPA-95-956
- Wall Mounting Bracket, Gauge Port Adapter, 1/4" NPT ..... RRP-95-590



### Ordering Information

Model Type	Port Size	Without Gauge 5 to 125 PSIG (0.4 to 8.6 bar)	Without Gauge 10 to 250 PSIG (0.7 to 17.2 bar)	Without Gauge 3 to 60 PSIG (0.2 to 4.1 bar)	With Gauge 5 to 125 PSIG (0.4 to 8.6 bar)	With Gauge 10 to 250 PSIG (0.7 to 17.2 bar)	With Gauge 3 to 60 PSIG (0.2 to 4.1 bar)
Relieving	1/4	R26-02-000	R26-02-H00	R26-02-L00	R26-02-G00	R26-02-GH0	R26-02-GL0
	3/8	R26-03-000	R26-03-H00	R26-03-L00	R26-03-G00	R26-03-GH0	R26-03-GL0
	1/2	R26-04-000	R26-04-H00	R26-04-L00	R26-04-G00	R26-04-GH0	R26-04-GL0
Non-relieving	1/4	R26-02-N00	R26-02-HN0	R26-02-LN0	R26-02-GN0	R26-02-GHN	R26-02-GLN
	3/8	R26-03-N00	R26-03-HN0	R26-03-LN0	R26-03-GN0	R26-03-GHN	R26-03-GLN
	1/2	R26-04-N00	R26-04-HN0	R26-04-LN0	R26-04-GN0	R26-04-GHN	R26-04-GLN

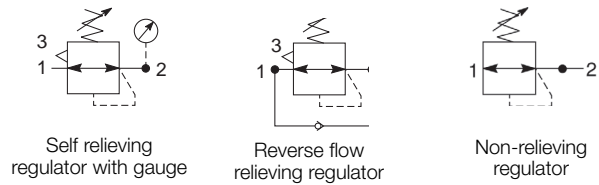
Options - To order an option supplied with the unit model, add the appropriate coded suffix letter in the designated position of the model number.

# Regulator R90



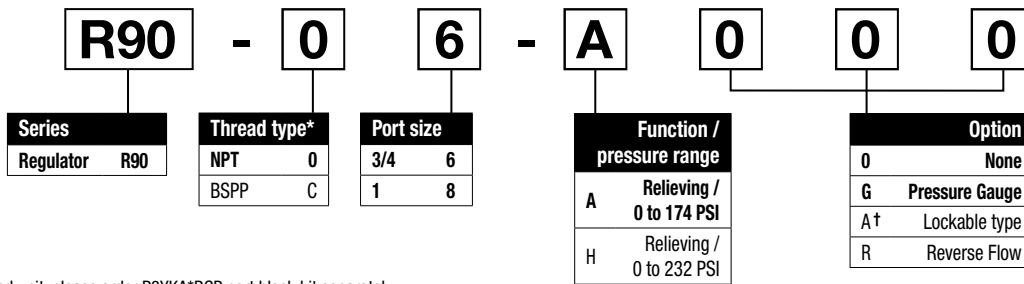
## Symbols

= "Most Popular"



- Integral 3/4" or 1" ports (BSPP & NPT)
- Robust but lightweight aluminum construction
- Secondary pressure ranges 12 and 16 bar
- Rolling diaphragm for extended life
- Secondary aspiration plus rolling diaphragm provides quick response and accurate pressure regulation
- Optional tamperproof regulator padlock
- Reverse flow / relieving option
- Low temperature -40°

## Options



**Notes:**  
 \* For 1-1/2" ported unit, please order P3YKA\*BCP port block kit separately.  
 † Not field convertible.  
**Bold items are most common.**

## Ordering information

Port size	Description	Flow‡ scfm	Max. bar (psig)	Min temp °C (°F)	Max temp °C (°F)	Height mm (inches)	Width mm (inches)	Depth mm (inches)	Weight kg (lb)	Part number†
3/4"	12 bar relieving	380	17.5 (254)	-40 (-40)	60 (140)	182 (7.2)	90 (3.5)	94 (3.7)	1.08 (2.4)	<b>R90-06-A000</b>
3/4"	12 bar relieving + pressure gauge	380	17.5 (254)	-10 (14)	60 (140)	182 (7.2)	90 (3.5)	94 (3.7)	1.13 (2.5)	<b>R90-06-AG00</b>
1"	12 bar relieving	380	17.5 (254)	-40 (-40)	60 (140)	182 (7.2)	90 (3.5)	94 (3.7)	1.08 (2.4)	<b>R90-08-A000</b>
1"	12 bar relieving + pressure gauge	380	17.5 (254)	-10 (14)	60 (140)	182 (7.2)	90 (3.5)	94 (3.7)	1.19 (2.6)	<b>R90-08-AG00</b>

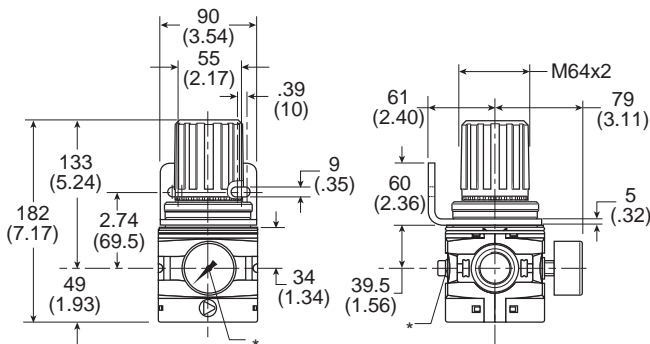
† Standard part numbers shown in bold. For other models refer to Options chart above.  
 ‡ Flow with 6.3 bar (91.4 psig) inlet pressure and 0.5 (7.3 psig) pressure drop.

**Specifications**

Fluid	Compressed air
Maximum inlet pressure*	17.5 bar (254 psig)
Temperature range*	-40°C to 60°C (-40°F to 140°F)
Typical flow with 10 bar (145 psig) inlet pressure and 6.3 bar (91 psig) set pressure and 0.5 bar (7.3 psig) pressure drop	1" size 550 scfm
Gauge port ( x 2 )	1/4"

\* Air supply must be dry enough to avoid ice formation at temperatures below 2°C (35.6°F).

**Dimensions mm (inches)**



\* 1/4" gauge port

**Service kits**

Description	Part number
Angle bracket + metal lock ring	<b>P3YKA00MS</b>
Panel mounting nut	<b>P3YKA00MM</b>
Diaphragm kit (relieving type)	<b>P3YKA00RR</b>
Diaphragm kit (non-relieving type)	<b>P3YKA00RN</b>
Gauge 0 to 10 bar (0 to 160 psig)	<b>K4520N14160</b>
1/4" port 0 to 20 bar (0 to 300 psig)	<b>K4520N14300</b>

**WARNING**

**Product rupture can cause serious injury.  
Do not connect regulator to bottled gas.  
Do not exceed maximum primary pressure rating.**

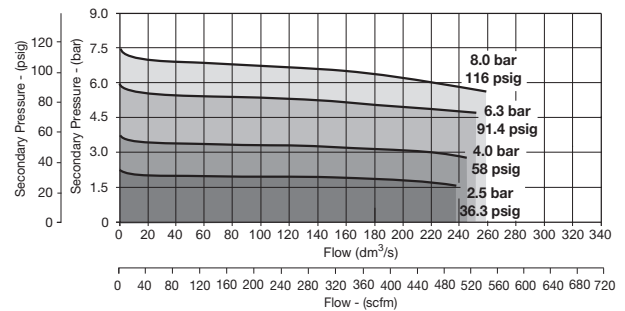
**Material specifications**

Body	Aluminum
Bonnet	Glass filled polyamide
Regulator cover	ABS
Control knob	Glass filled polyamide
Valve	Brass / NBR
Seals	Nitrile NBR
Screws	Steel / zinc plated

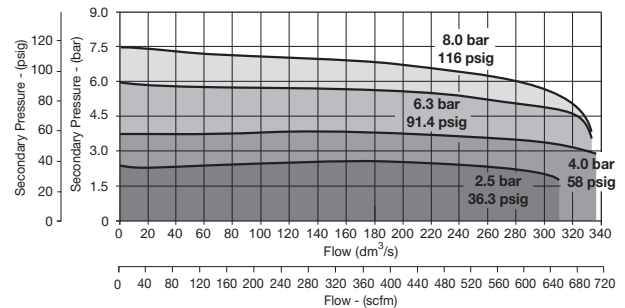
= "Most Popular"

**Flow characteristics**

**(3/4") Regulator**



**(1") Regulator**



**CAUTION:**

**REGULATOR PRESSURE ADJUSTMENT** – The working range of knob adjustment is designed to permit outlet pressures within their full range. Pressure adjustment beyond this range is also possible because the knob is not a limiting device. This is a common characteristic of most industrial regulators, and limiting devices may be obtained only by special design.

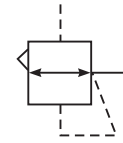
For best performance, regulated pressure should always be set by increasing the pressure up to the desired setting.



# Pilot Operated Regulator R90

= "Most Popular"

## Symbol



- Integral 3/4" or 1" ports (BSPP & NPT)
- Pilot controlled regulators can be mounted "out of reach" with pilot regulator installed in a convenient location
- Constant pilot bleed control for accurate pressure control
- Balanced poppet provides quick response
- High flow

**B**

Filters, Regulators, Lubricators

## Options

<b>R90</b>	-	<b>0</b>	<b>6</b>	-	<b>R</b>	<b>0</b>	<b>0</b>	<b>0</b>
<b>Series</b> Regulator R90		<b>Thread type*</b> NPT 0 BSPP C	<b>Port size</b> 3/4 6 1 8		<b>Function</b> R Pilot Operated			

\*Note: For 1-1/2" ported unit, please order P3YKA\*BCP port block kit separately.  
**Bold items are most common.**

## Ordering information

Port size	Description	Flow <sup>‡</sup> scfm	Max. bar (psig)	Min temp °C (°F)	Max temp °C (°F)	Height mm (inches)	Width mm (inches)	Depth mm (inches)	Weight kg (lb)	Part number <sup>†</sup>
3/4"	Pilot operated regulator	550	17.5 (254)	-10 (14)	60 (140)	105.5 (4.15)	90 (3.54)	90 (3.54)	1.2 (2.6)	<b>R90-06-R000</b>
1"	Pilot operated regulator	550	17.5 (254)	-10 (14)	60 (140)	105.5 (4.15)	90 (3.54)	90 (3.54)	1.2 (2.6)	<b>R90-08-R000</b>

<sup>†</sup> Standard part numbers shown in bold. For other models refer to Options chart above.

<sup>‡</sup> Flow with 10 bar (145 psig) inlet pressure, 6.3 bar (91.4 psig) set pressure and 1 bar (14.5 psig) pressure drop.

 = "Most Popular"

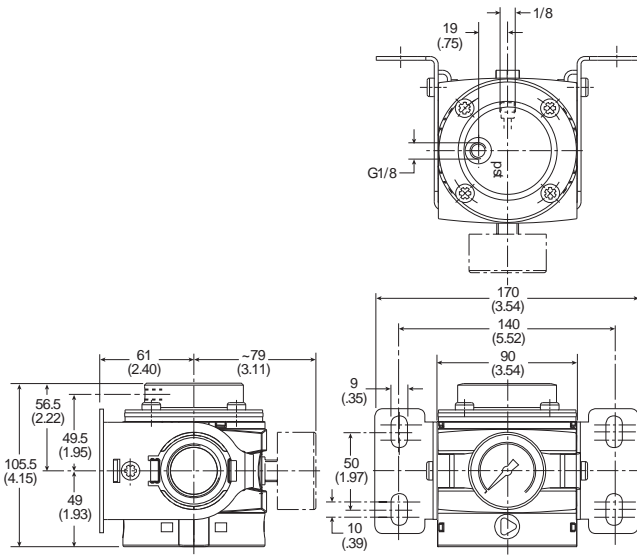
**Specifications**

Fluid	Compressed air
Max. pressure air pilot operated	17.5 bar (254 psig)
Operating temperature	-10°C to 60°C (14°F to 140°F)
Weight	3/4" 1.2 kg (2.6 lb)
	1" 1.2 kg (2.6 lb)

**Material specifications**

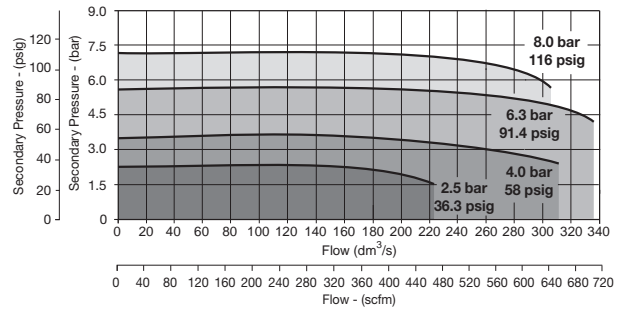
Body	Aluminum
Body cover	ABS
Valve	Brass / NBR composite
Pilot valve booster	Aluminum
Seals	Nitrile NBR
Screws	Zinc plated steel

**Dimensions mm (inches)**



**Flow characteristics**

**3/4" and 1" Pilot Regulator**



**⚠ WARNING**

**Product rupture can cause serious injury.  
Do not connect regulator to bottled gas.  
Do not exceed maximum primary pressure rating.**

**CAUTION:**

**REGULATOR PRESSURE ADJUSTMENT** – The working range of knob adjustment is designed to permit outlet pressures within their full range. Pressure adjustment beyond this range is also possible because the knob is not a limiting device. This is a common characteristic of most industrial regulators, and limiting devices may be obtained only by special design.

For best performance, regulated pressure should always be set by increasing the pressure up to the desired setting.

**B**

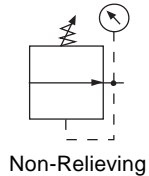
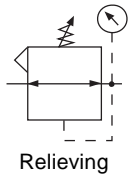
Filters, Regulators, Lubricators

# Regulator R30

= "Most Popular"

**B**

Filters, Regulators, Lubricators



**R30-06-000**

## Features

- Balanced Valve Design
- Standard Self-Relieving
- Two 1/4 NPT / BSPT-Rc Gauge Ports Standard – Can Be Used for Additional Outlet Ports
- Piston Operated
- High Flow Capacity

## Specifications

Flow Capacity*	3/4	481 SCFM (227 dm <sup>3</sup> /s)
	1	500 SCFM (236 dm <sup>3</sup> /s)
Adjusting Range Pressure	0 to 125 PSIG (0 to 8.6 bar) 0 to 180 PSIG (0 to 12.4 bar)	

Gauge Port (2 ea.)	NPT / BSPT-Rc	1/4
Maximum Supply Pressure	300 PSIG (20.7 bar)	
Operating Temperature	32° to 150°F (0° to 65.5°C)	
Port Size	NPT / BSPP-G	3/4, 1
Weight	lb. (kg)	6 (2.7)

\* Inlet pressure 100 PSIG (6.9 bar). Secondary pressure 80 PSIG (5.5 bar).

## Materials of Construction

Body	Zinc
Bonnet	Zinc
Piston	Zinc
Seals	Nitrile
Springs	Steel
Valve Assembly	Brass / Nitrile / Steel

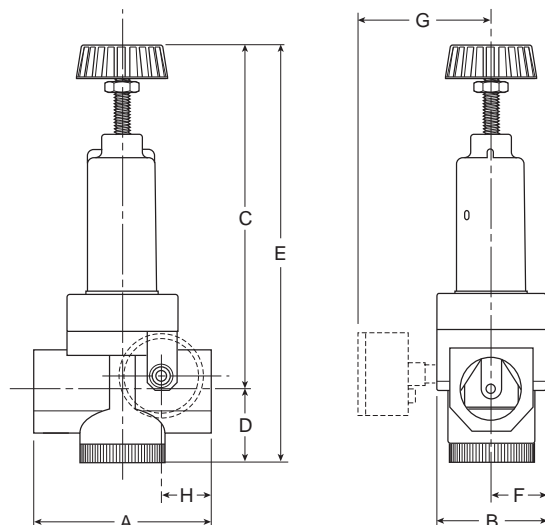
### WARNING

**Product rupture can cause serious injury.  
Do not connect regulator to bottled gas.  
Do not exceed maximum primary pressure rating.**

### CAUTION:

**REGULATOR PRESSURE ADJUSTMENT** – The working range of knob adjustment is designed to permit outlet pressures within their full range. Pressure adjustment beyond this range is also possible because the knob is not a limiting device. This is a common characteristic of most industrial regulators, and limiting devices may be obtained only by special design.

For best performance, regulated pressure should always be set by increasing the pressure up to the desired setting.



## Dimensions

Models	Inches (mm)	A	B	C	D	E	F	G	H
Standard Unit R30-XX-000		4.33 (110)	2.65 (67)	8.62 (218.9)	1.75 (44)	10.37 (263)	1.33 (34)	—	1.23 (31.2)
With Gauge R30-XX-G00		4.33 (110)	2.65 (67)	8.62 (218.9)	1.75 (44)	10.37 (263)	1.33 (34)	2.99 (76)	1.23 (31.2)

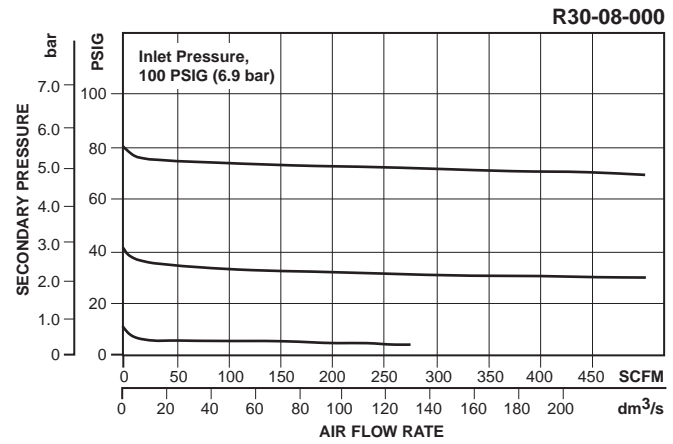
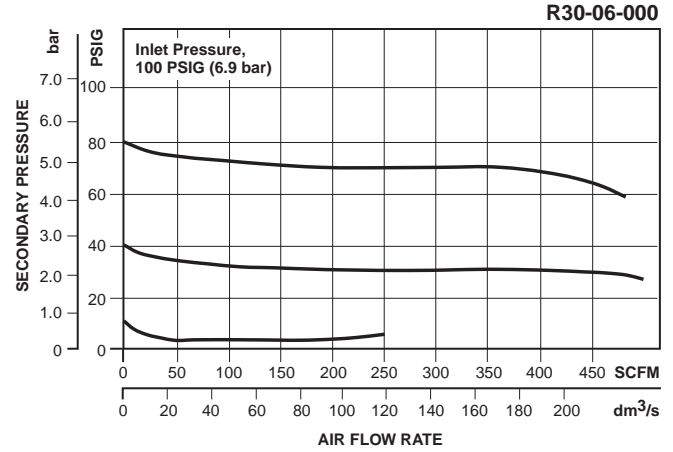
= "Most Popular"

### Replacement Kits

- Piston Assembly –
  - Non-relieving ..... RRP-95-451
  - Relieving..... RRP-95-964
- Spring, Regulating –
  - 0 to 125 PSIG (0 to 8.6 bar) ..... RRP-95-226
  - 0 to 180 PSIG (0 to 12.4 bar) ..... RRP-95-220
- Valve Assembly –
  - Valve, Valve Spring, Bottom Plug O-ring ..... RRP-95-159

### Accessories

- Gauge, Pressure –
  - 0 to 160 PSIG (0 to 11 bar), 2" Dial Face,  
1/4" NPT, CBM ..... K4520N14160
  - 0 to 300 PSIG (0 to 20 bar), 2" Dial Face,  
1/4" NPT, CBM ..... K4520N14300
  - 0 to 160 PSIG, 1-3/4" Digital Round,  
1/4" NPT ..... K4517N14160D
- Wall Mounting Bracket –
  - Gauge Port Adapter, 1/4" NPT ..... RRP-95-590
  - U-bolt Pipe Clamp ..... GRP-95-734



**B**  
Filters, Regulators, Lubricators

### Ordering Information

Model Type	Port Size	Standard Pressure 10 to 125 PSIG (0.7 to 8.6 bar)	High Pressure 10 to 180 PSIG (0.7 to 12.4 bar)
Relieving	3/4	R30-06-000	R30-06-H00
	1	R30-08-000	R30-08-H00
Non-relieving	3/4	R30-06-N00	R30-06-HN0
	1	R30-08-N00	R30-08-HN0

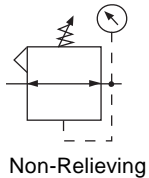
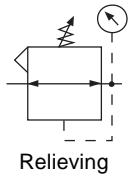
Options - To order an option supplied with the unit model, add the appropriate coded suffix letter in the designated position of the model number.

# Regulator R40

 = "Most Popular"

**B**

Filters, Regulators, Lubricators



**R40-0B-000**

## Features

- Balanced Valve Design
- Standard Self-Relieving
- Two 1/4 NPT / BSPT-Rc Gauge Ports Standard – Can Be Used for Additional Outlet Ports
- Piston Operated
- High Flow Capacity

## Specifications

Flow Capacity*	1-1/2, 2	1200 SCFM (566 dm <sup>3</sup> /s)
Adjusting Range Pressure	0 to 125 PSIG (0 to 8.6 bar)	0 to 180 PSIG (0 to 12.4 bar)
Maximum Supply Pressure	300 PSIG (20.7 bar)	
Operating Temperature	32° to 150°F (0° to 65.5°C)	
Port Size	NPT / BSPP-G	1-1/2, 2
Gauge Port (2 ea.)	NPT / BSPT-Rc	1/4
Weight	lb. (kg)	10.8 (4.9)

\* Inlet pressure 100 PSIG (6.9 bar). Secondary pressure 85 PSIG (5.9 bar).

## Materials of Construction

Body	Zinc
Bonnet	Zinc
Piston	Zinc
Seals	Nitrile
Springs	Steel
Valve Assembly	Brass / Nitrile / Acetal

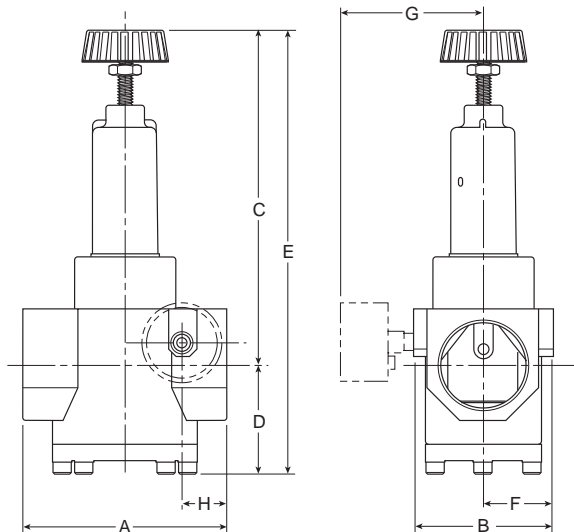
### **WARNING**

**Product rupture can cause serious injury.  
Do not connect regulator to bottled gas.  
Do not exceed maximum primary pressure rating.**

## CAUTION:

**REGULATOR PRESSURE ADJUSTMENT** – The working range of knob adjustment is designed to permit outlet pressures within their full range. Pressure adjustment beyond this range is also possible because the knob is not a limiting device. This is a common characteristic of most industrial regulators, and limiting devices may be obtained only by special design.

For best performance, regulated pressure should always be set by increasing the pressure up to the desired setting.



## Dimensions

Models	Inches (mm)	A	B	C	D	E	F	G	H
Standard Unit R40-XX-000		5.30 (135)	3.63 (92)	9.05 (230)	2.83 (72)	11.88 (302)	1.82 (43)	— —	1.15 (29.2)
With Gauge (order separately) R40-XX-XXX		5.30 (135)	3.63 (92)	9.05 (230)	2.83 (72)	11.88 (302)	1.82 (43)	4.02 (102)	1.15 (29.2)

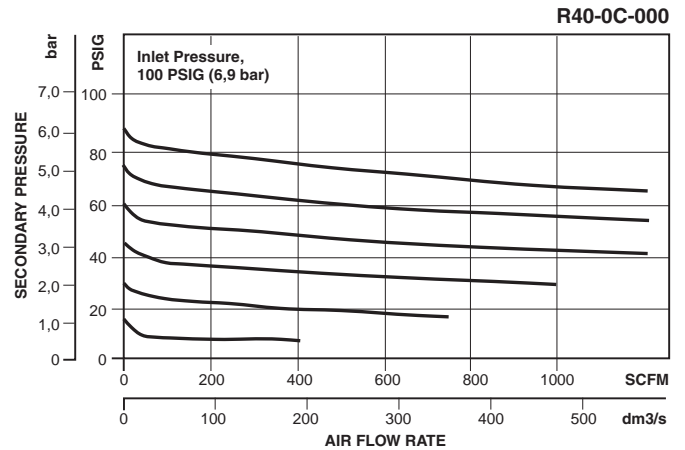
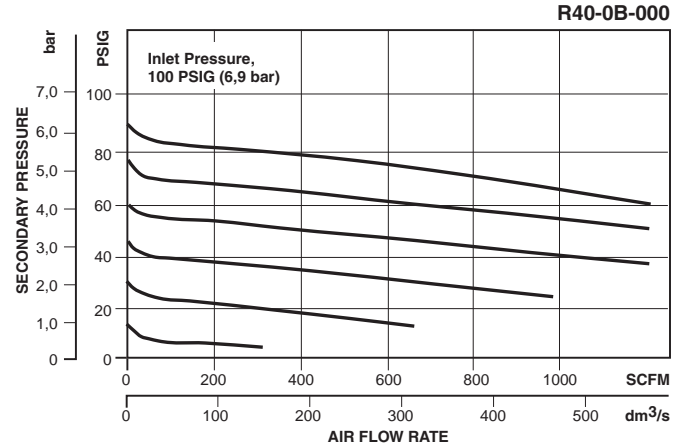
= "Most Popular"

### Replacement Kits

- Piston Assembly –
  - Non-relieving ..... RRP-95-451
  - Relieving ..... RRP-95-964
- Spring, Regulating –
  - 0 to 125 PSIG (0 to 8.6 bar) ..... RRP-95-226
  - 0 to 180 PSIG (0 to 12.4 bar) ..... RRP-95-220
- Spring, Valve ..... RRP-95-024
- Valve Assembly (Non-relieving) –
  - Valve, Valve Spring ..... RRP-95-162
- Valve Assembly (Self-relieving) –
  - Valve, Valve Spring, Ret. Ring, O-rings ..... RRP-95-161

### Accessories

- Gauge, Pressure –
  - 0 to 160 PSIG (0 to 11 bar), 2" Dial Face,  
1/4" NPT, CBM ..... K4520N14160
  - 0 to 300 PSIG (0 to 20 bar), 2" Dial Face,  
1/4" NPT, CBM ..... K4520N14300
  - 0 to 160 PSIG, 1-3/4" Digital Round,  
1/4" NPT ..... K4517N14160D
- Wall Mounting Bracket, Gauge Port Adapter,  
1/4" NPT ..... RRP-95-590



**B**

Filters, Regulators, Lubricators

### Ordering Information

Model Type	Port Size	Without Gauge 10 to 125 PSIG (0.7 to 8.6 bar)	High Pressure 10 to 180 PSIG (0.7 to 12.4 bar)
Relieving	1-1/2	R40-0B-000	R40-0B-H00
	2	R40-0C-000	R40-0C-H00
Non-relieving	1-1/2	R40-0B-N00	R40-0B-HN0
	2	R40-0C-N00	R40-0C-HN0

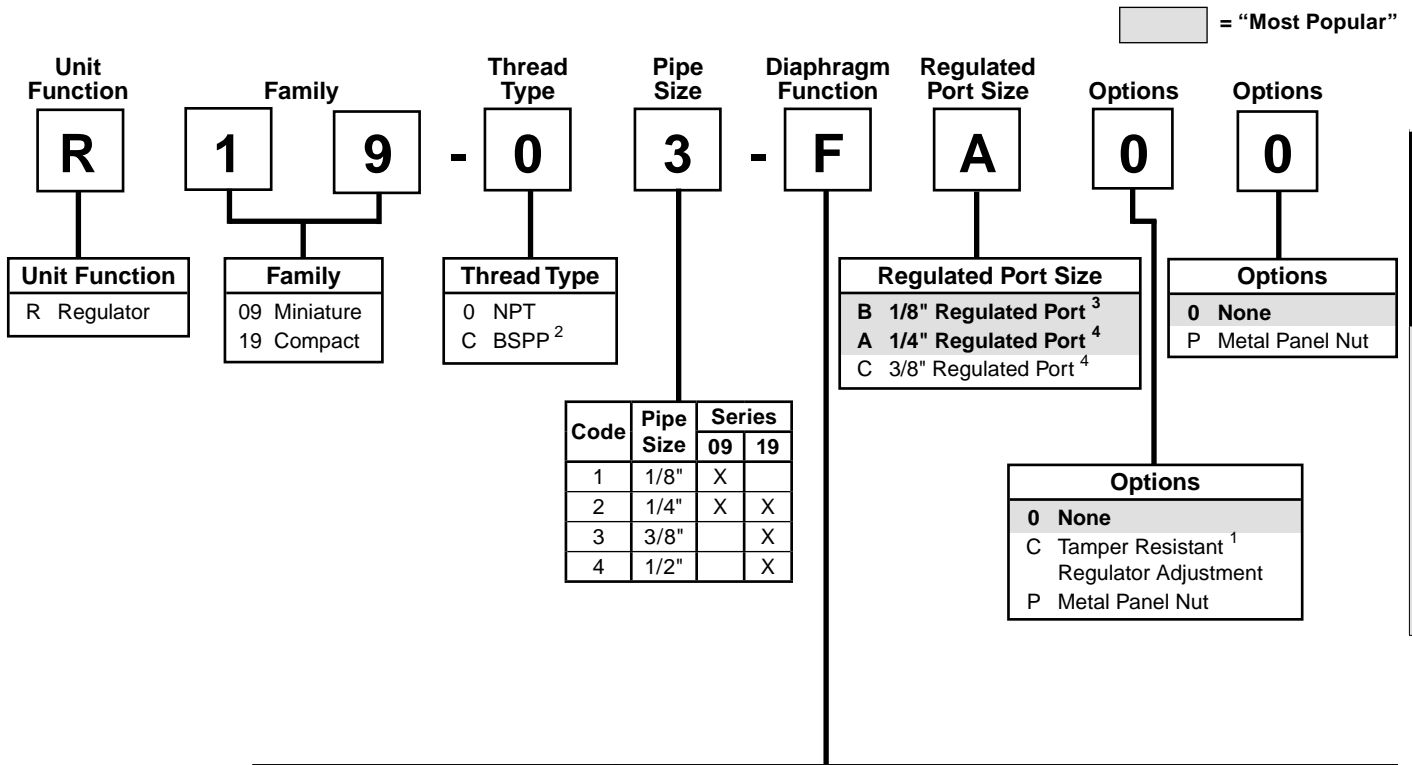
Options - To order an option supplied with the unit model, add the appropriate coded suffix letter in the designated position of the model number.

# Notes

**B**

Filters, Regulators, Lubricators

# Common-P1 Regulator Numbering System



**B**  
Filters, Regulators, Lubricators

Diaphragm Function	Fluorocarbon	Spring Range			
		0 to 30 PSIG (0 to 2.1 bar)	0 to 60 PSIG (0 to 4.1 bar)	0 to 125 PSIG (0 to 8.6 bar)	0 to 250 PSIG <sup>4</sup> (0 to 17.2 bar)
Relieving	No	C	D	<b>F</b>	G
	Yes	J	K	L	M
Non-relieving	No	P	W	R	S
	Yes	V	X	Y	Z

<sup>1</sup> Tamper kit not installed. Kit is shipped loose in carton.  
<sup>2</sup> ISO, R228 (G Series).  
<sup>3</sup> Not available on R19.  
<sup>4</sup> Not available on R09.

**Note: When selecting from the options columns, please enter letters in alphabetical order, for example:**

**R 1 9 - 0 3 - F A 0 0.**

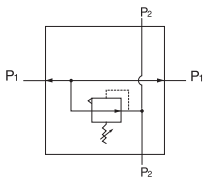


# Common-P1 Regulator R09

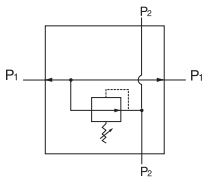
= "Most Popular"

**B**

Filters, Regulators, Lubricators



Relieving



Non-Relieving



**R09-02-FB00**

## Features

- Balanced Valve Design
- 2 Regulated Ports
- Ease of Maintenance of Serviceability
- Light Weight
- Modern Design and Appearance

## Specifications

Flow Capacity*	1/8	27.0 SCFM (12.7 dm <sup>3</sup> /s)
	1/4	28.5 SCFM (13.4 dm <sup>3</sup> /s)
Adjusting Range Pressure		0 to 30 PSIG (0 to 2.1 bar) 0 to 60 PSIG (0 to 4.1 bar) 0 to 125 PSIG (0 to 8.6 bar)
Maximum Supply Pressure		300 PSIG (20.7 bar)
Operating Temperature		-4° to 150°F (-20° to 65.5°C)
P1 Port Size (Inlet / Outlet)	NPT / BSPP-G	1/8, 1/4
P2 Regulated Ports (2 ea.)	NPT / BSPT-Rc	1/8
Weight	lb. (kg)	.66 (0.3)

\* Inlet pressure 100 PSIG (6.9 bar). Secondary pressure 90 PSIG (6.2 bar).

## Materials of Construction

Adjustment Knob	Acetal
Body	Zinc
Body Cap	ABS
Bonnet	33% Glass-filled PBT
Bottom Plug	33% Glass-filled Nylon
Diaphragm Assembly	Brass / Nitrile
Valve Assembly	Brass / Nitrile

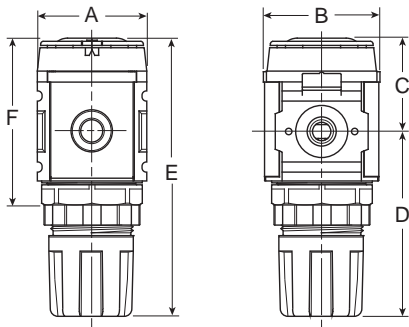
### WARNING

**Product rupture can cause serious injury.  
Do not connect regulator to bottled gas.  
Do not exceed maximum primary pressure rating.**

## CAUTION:

**REGULATOR PRESSURE ADJUSTMENT** – The working range of knob adjustment is designed to permit outlet pressures within their full range. Pressure adjustment beyond this range is also possible because the knob is not a limiting device. This is a common characteristic of most industrial regulators, and limiting devices may be obtained only by special design.

For best performance, regulated pressure should always be set by increasing the pressure up to the desired setting.



**NOTE:** 1.25" Dia. (31.8 mm) hole required for panel nut mounting.

## Dimensions

Models	Inches (mm)	A	B	C	D	E	F
Standard Common-P1 Unit R09-XX-FB00		1.58 (40)	1.58 (40)	1.34 (34)	2.60 (66)	3.94 (100)	2.40 (61)

= "Most Popular"

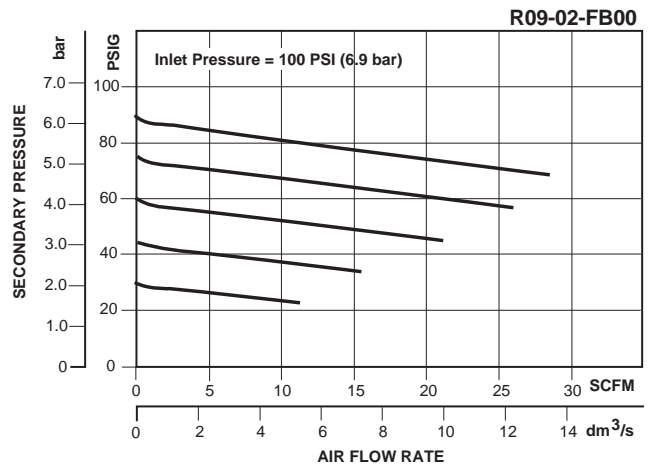
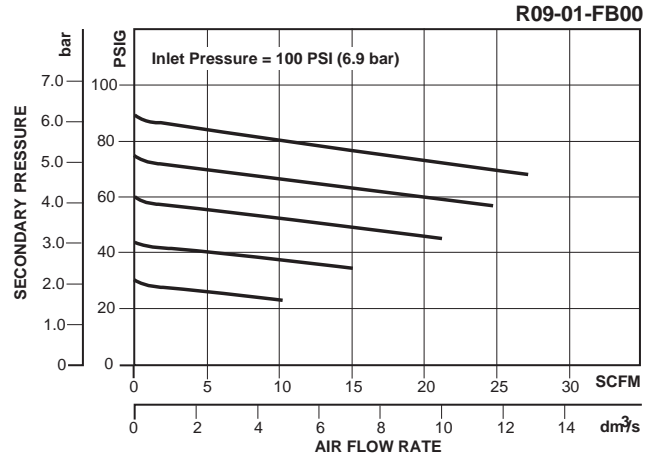
### Replacement Kits

- Diaphragm Assembly –
  - Non-relieving ..... GRP-96-726
  - Relieving..... GRP-96-725
- Spring, Regulating –
  - 0 to 30 PSIG (0 to 2.1 bar) ..... GRP-95-111
  - 0 to 60 PSIG (0 to 4.1 bar) ..... GRP-96-718
  - 0 to 125 PSIG (0 to 8.6 bar) ..... GRP-96-717
- Valve Assembly.....RRP-96-727
- Valve Spring.....RRP-96-728

### Accessories

- Gauge, Pressure –
  - 0 to 60 PSIG (0 to 4.1 bar),  
1.25" Dial Face, 1/8" NPT, CBM ..... K4513N18060
  - 0 to 160 PSIG (0 to 11.0 bar),  
1.25" Dial Face, 1/8" NPT, CBM ..... K4513N18160
- Panel Mount Nut –
  - Aluminum..... RPA-96-733
  - Plastic..... RPA-96-734
- Tamper Resistant Kit..... RPA-96-735
- Wall Mounting Bracket –
  - C-Type ..... GPA-97-010
  - L-Type ..... GRP-96-739
  - T-Type ..... GPA-96-737

**NOTE:** Gauge not included, order separately by accessory number.



Typical Application

### Ordering Information

All P2 Regulated Ports are 1/8"

Model Type	P1 Port Size	Without Gauge 0 to 125 PSIG 0 to 8.6 bar)	Without Gauge 0 to 30 PSIG (0 to 2.1 bar)	Without Gauge 0 to 60 PSIG (0 to 4.1 bar)
Relieving	1/8	R09-01-FB00	R09-01-CB00	R09-01-DB00
	1/4	R09-02-FB00	R09-02-CB00	R09-02-DB00
Non-relieving	1/8	R09-01-RB00	R09-01-PB00	R09-01-WB00
	1/4	R09-02-RB00	R09-02-PB00	R09-02-WB00

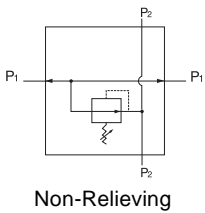
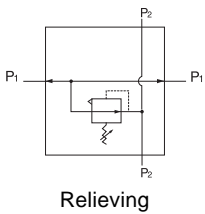
**Options** - To order an option supplied with the unit model, add the appropriate coded suffix letter in the designated position of the model number.

# Common-P1 Regulator R19

= "Most Popular"

**B**

Filters, Regulators, Lubricators



**R19-03-FA00**

## Features

- Balanced Valve Design
- Spring-loaded Diaphragm
- 4 Adjusting Pressure Ranges Available
- 1/2" NPT / BSPP-G Over-port
- 2 Regulated Ports

## Specifications

Flow Capacity*	3/8	62.0 SCFM (29.2 dm <sup>3</sup> /s)
Adjusting Range Pressure		0 to 30 PSIG (0 to 2.1 bar)
		0 to 60 PSIG (0 to 4.1 bar)
		0 to 125 PSIG (0 to 8.6 bar)
		0 to 250 PSIG (0 to 17.2 bar)

Maximum Supply Pressure 300 PSIG (20.7 bar)

Operating Temperature -13° to 150°F (-25° to 65.5°C)

P1 Port Size (Inlet / Outlet) NPT / BSPP-G 1/4, 3/8, 1/2

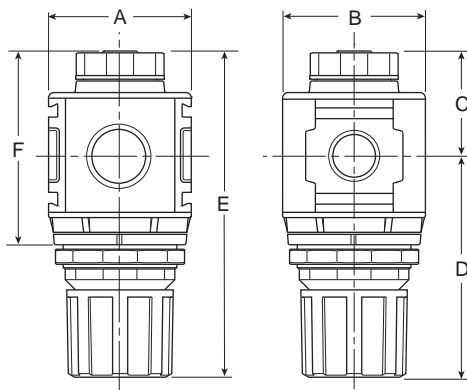
P2 Regulated Ports (2 ea.) NPT / BSPP-G 1/4 or 3/8

Weight lb. (kg) 1.16 (0.5)

\* Inlet pressure 100 PSIG (6.9 bar). Secondary pressure 90 PSIG (6.2 bar).

## Materials of Construction

Adjustment Knob	Acetal
Body	Zinc
Body Cap	ABS
Bonnet	33% Glass-filled Nylon
Bottom Plug	33% Glass-filled Nylon
Diaphragm Assembly	Nitrile / Zinc
Panel Nut	Acetal
Seals	Nitrile
Springs	Main Regulating Valve Steel Stainless Steel
Valve Assembly	Brass / Nitrile



NOTE: 2" Dia. (51 mm) hole required for panel nut mounting.

## Dimensions

Models	Inches (mm)	A	B	C	D	E	F	G
Standard Common-P1 Unit R19-XX-FA00		2.36 (60)	2.36 (60)	1.74 (44)	3.66 (93)	5.40 (136)	3.10 (78.7)	3.74 (94)

**⚠ WARNING**

**Product rupture can cause serious injury.  
Do not connect regulator to bottled gas.  
Do not exceed maximum primary pressure rating.**

## CAUTION:

**REGULATOR PRESSURE ADJUSTMENT** – The working range of knob adjustment is designed to permit outlet pressures within their full range. Pressure adjustment beyond this range is also possible because the knob is not a limiting device. This is a common characteristic of most industrial regulators, and limiting devices may be obtained only by special design.

For best performance, regulated pressure should always be set by increasing the pressure up to the desired setting.

 = "Most Popular"

### Replacement Kits

- Diaphragm Assembly –
  - Non-relieving ..... RRP-96-761
  - Relieving..... RRP-96-760
- Spring, Regulating–
  - 0 to 30 PSIG (0 to 2.1 bar) ..... RRP-96-659
  - 0 to 60 PSIG (0 to 4.1 bar) ..... RRP-96-660
  - 0 to 125 PSIG (0 to 8.6 bar) ..... RRP-96-661
  - 0 to 250 PSIG (0 to 17.2 bar) ..... RRP-96-662
- Valve Assembly..... RRP-96-658

### Accessories

- Gauge, Pressure –
  - 0 to 30 PSIG (0 to 2.1 bar),  
1-1/2" Dial Face, 1/4" NPT, CBM ..... K4515N14030
  - 0 to 60 PSIG (0 to 4.1 bar),  
1-1/2" Dial Face, 1/4" NPT, CBM ..... K4515N14060
  - 0 to 160 PSIG (0 to 11.0 bar),  
1-1/2" Dial Face, 1/4" NPT, CBM ..... K4515N14160
  - 0 to 300 PSIG (0 to 20.7 bar),  
1-1/2" Dial Face, 1/4" NPT, CBM ..... K4515N14300
  - 0 to 160 PSIG, 1-3/4" Digital Round,  
1/4" NPT ..... K4517N14160D
- Panel Mount Nut –
  - Aluminum..... RRP-96-673
  - Plastic..... RRP-96-675
- Tamper Resistant Kit..... RRP-96-671
- Wall Mounting Bracket –
  - L-Type ..... GPA-96-606
  - T-Type..... GPA-96-603

NOTE: Gauge not included, order separately by accessory number.



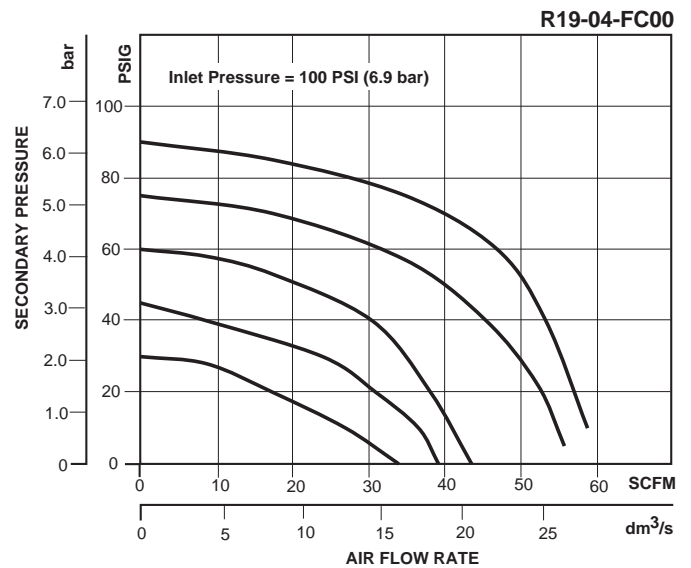
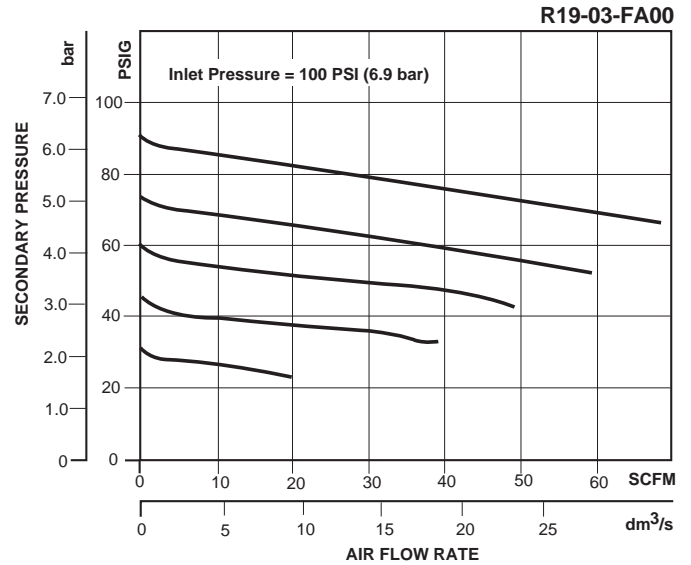
Typical Application

### Ordering Information

All units shown with 1/4" regulated ports. For 3/8" ports, place letter C in position 7.

Model Type	P1 Port Size	5-125 PSIG (0.4 to 8.6 bar)	10-250 PSIG (0.7 to 7.2 bar)	3-60 PSIG (0.2 to 4.1 bar)
Relieving	1/4	R19-02-FA00	R19-02-GA00	R19-02-DA00
	3/8	R19-03-FA00	R19-03-GA00	R19-03-DA00
	1/2	R19-04-FA00	R19-04-GA00	R19-04-DA00
Non-relieving	1/4	R19-02-RA00	R19-02-SA00	R19-02-WA00
	3/8	R19-03-RA00	R19-03-SA00	R19-03-WA00
	1/2	R19-04-RA00	R19-04-SA00	R19-04-WA00

Options - To order an option supplied with the unit model, add the appropriate coded suffix letter in the designated position of the model number.



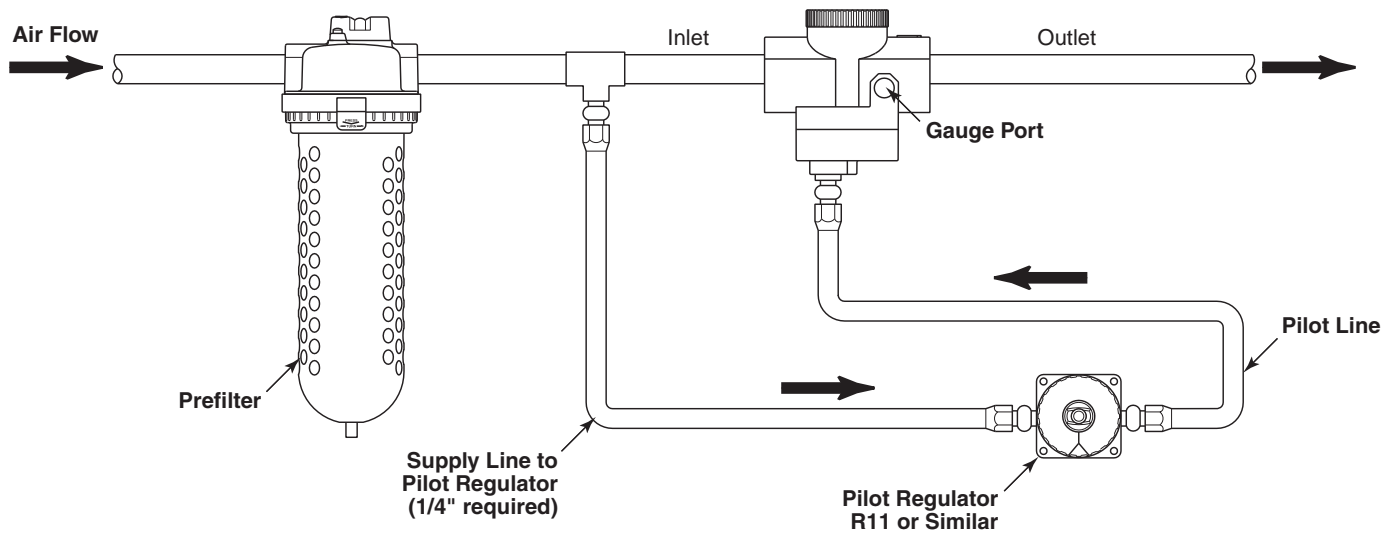
**B**  
 Filters, Regulators, Lubricators

# Principal Regulator (Remote Operated) – R21 / 31 / 41-XX-RXX

## Remote-control Dial-Air™ Regulator

Incorporates all the features of the standard Dial-Air™ Regulator plus the additional advantage of remote installation using the R11 model Pilot Regulator. Maximum inlet operating pressure and temperature ratings are 300 PSIG (20.7 bar) and 150°F (65.5°C).

The Remote-control Dial-Air™ Regulators are available in five pipe sizes, with 1/4" NPT connections on the pilot regulator and pilot port of remote-controlled regulators. Typical installation is shown below. For other remote models, see R21, R31 & R41.

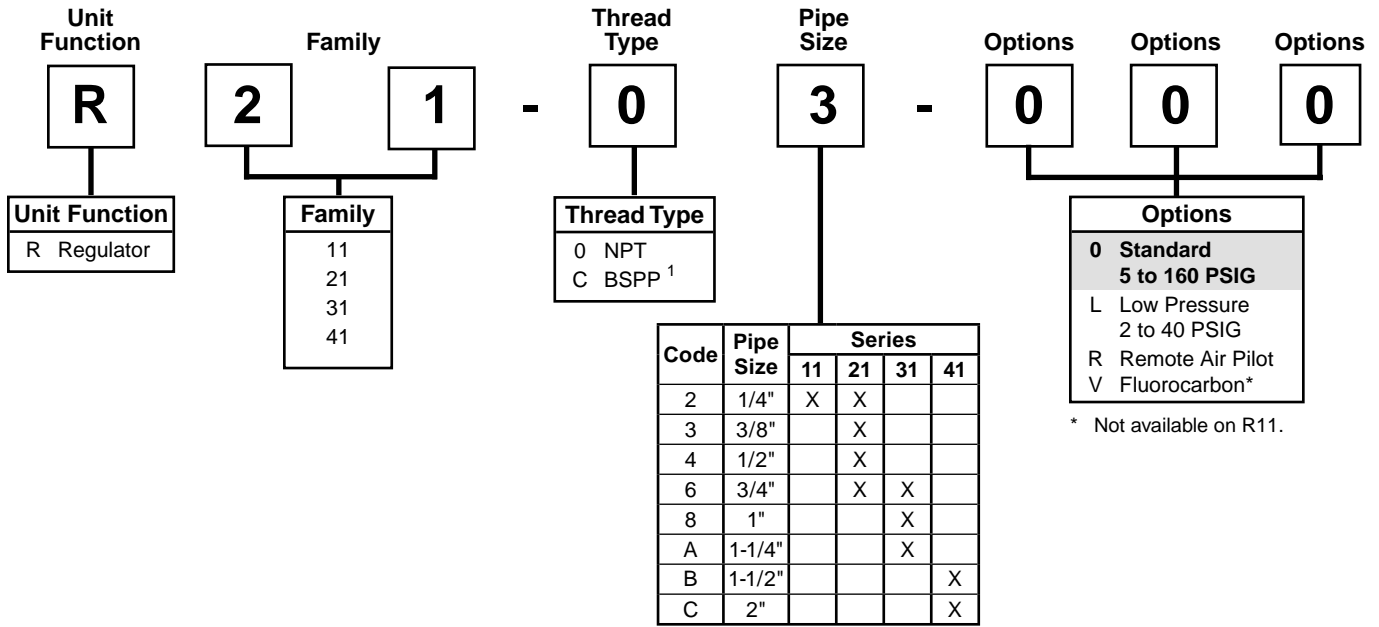


## Dial-Air™

Dial-Air™ regulators feature a transparent, pressure-calibrated, non-rising adjustment dial for quick adjustment of secondary pressure. If a gauge (R21, R31, R41) is required for monitoring reasons, two 1/4" gauge ports are provided; however, these are usually used for additional outlet ports. The full reduced pressure range can be dialed in less than 270° of dial rotation. This feature is particularly advantageous if secondary pressure must be changed frequently. The transparent dial can be color or graphics coded for easy reference to required pressure changes. Dial-Air™ regulators can be mounted in any position so dial face is always visible. All Dial-Air™ units have a slight constant air bleed: 0.05 SCFM (0.024 dm<sup>3</sup>/s), @100 PSIG (6.9 bar) inlet and 90 PSIG (6.2 bar) outlet.

# Dial-Air™ Regulator Numbering System

   = "Most Popular"



**B**  
Filters, Regulators, Lubricators

<sup>1</sup> ISO, R228 (G Series)

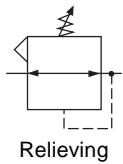
**NOTE:** Standard pressure adjustment is plastic "snap lock" knob and plastic bonnet with plastic panel mount nut.

**NOTE:** When selecting from the options columns, please enter letters in alphabetical order for positions 6, 7, and 8.  
**For example:**

**R21 - 0 3 - 0 0 0**

# Dial-Air™ Regulator R11

 = "Most Popular"



**R11-02-000**

## Features

- Pressure Reference Indicating Dial Face
- Non-rising Pressure Adjustment Knob
- Self-Relieving
- Full Pressure Adjustment in Less Than One Full Turn
- Recommended for Pilot-Air Applications (Low Flow)

## Specifications

Flow Capacity*	1/4	0.8 SCFM (0.377 dm <sup>3</sup> /s)
Adjusting Range Pressure	0 to 40 PSIG (0 to 2.8 bar)	0 to 160 PSIG (0 to 11 bar)
Bleed Rate		0.05 SCFM (0.024 dm <sup>3</sup> /s)
Maximum Supply Pressure		300 PSIG (20.7 bar)
Operating Temperature		32° to 150°F (0° to 65.5°C)
Port Size	NPT / BSPP-G	1/4
Weight	lb. (kg)	1.3 (0.5)

\* Inlet pressure 100 PSIG (6.9 bar). Secondary pressure 90 PSIG (6.2 bar).

## Materials of Construction

Body	Zinc
Bonnet	Zinc / Brass
Piston	Acetal
Seals	Nitrile
Springs	Steel
Valve Assembly	Brass / Nitrile / Acetal

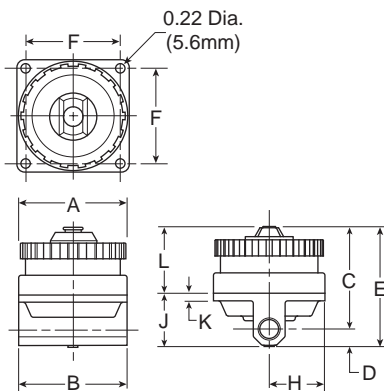
**⚠ WARNING**

**Product rupture can cause serious injury.  
Do not connect regulator to bottled gas.  
Do not exceed maximum primary pressure rating.**

## CAUTION:

**REGULATOR PRESSURE ADJUSTMENT** – The working range of knob adjustment is designed to permit outlet pressures within their full range. Pressure adjustment beyond this range is also possible because the knob is not a limiting device. This is a common characteristic of most industrial regulators, and limiting devices may be obtained only by special design.

For best performance, regulated pressure should always be set by increasing the pressure up to the desired setting.



**NOTE:** Panel mounting requires (2) 11/16" (69mm) diameter holes and (4) 7/32" (5.5mm) screw holes. Unit can be mounted on material up to 1-1/4" (32mm) thick.

## Dimensions

Model	Inches (mm)	A	B	C	D	E	F	H	J	K	L
Standard Unit R11-02-000		2.60 (66)	2.60 (66)	2.40 (60.9)	.40 (10)	2.80 (71)	2.20 (55.9)	1.30 (33)	1.25 (31.8)	.18 (4.6)	1.56 (39.6)

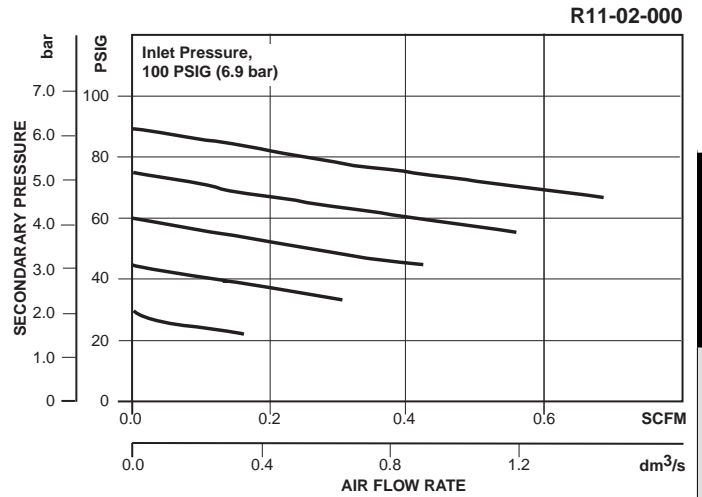
= "Most Popular"

**Replacement Kits**

- Conversion Kit (Series A to Series B) ..... RRP-95-765
- O-ring, Repair Kit ..... GRP-95-260
- Spring, Regulating, Belleville Washer –
- 2 to 40 PSIG (0.1 to 3 bar) ..... RRP-95-906
- 5 to 160 PSIG (0.4 to 11 bar) ..... RRP-95-905
- Valve, Pilot with O-ring and Valve Spring ..... RRP-96-934

**Accessories**

- Tamper Resistant Kit ..... RRP-95-585



**B**  
Filters, Regulators, Lubricators

**Ordering Information**

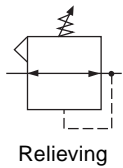
Model Type	Port Size	Standard Pressure 5 to 160 PSIG (0.4 to 11 bar)	Low Pressure 2 to 40 PSIG (0.1 to 3 bar)
Pilot	1/4	R11-02-000	R11-02-L00

Options - To order an option supplied with the unit model, add the appropriate coded suffix letter in the designated position of the model number.



# Dial-Air™ Regulator R21

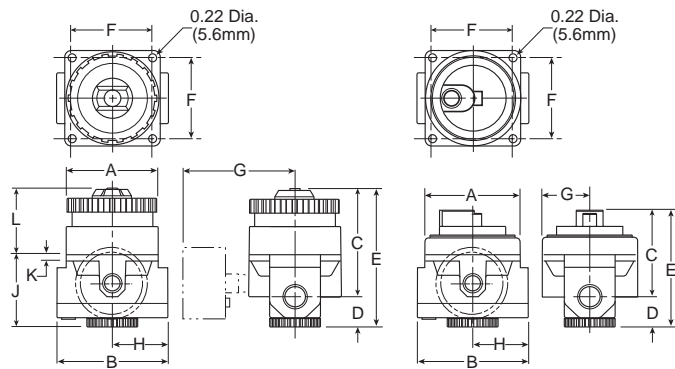
= "Most Popular"



R21-02-000

## Features

- Balanced Valve Design
- Non-Rising Pressure Adjusting Dial
- High-Relief Flow (3/16" Relief Orifice)
- Two 1/4" NPT Gauge Ports, Usually Used for Additional Outlets
- Piston Operated



Remote Operated

**NOTE:** Panel mounting requires (2) 11/16" (69mm) diameter holes and (4) 7/32" (5.5mm) screw holes. Unit can be mounted on material up to 1-1/4" (32mm) thick.

## Dimensions

Models	Inches (mm)	A	B	C	D	E	F	G	H	J	K	L
Standard Unit R21-XX-000		2.60 (66)	3.19 (81)	3.14 (79.8)	.95 (24)	4.09 (104)	2.20 (55.9)	—	1.61 (41)	2.08 (52.8)	.18 (4.6)	2.07 (52.6)
With Gauge (order separately) R21-XX-XXX		2.60 (66)	3.19 (81)	3.14 (79.8)	.95 (24)	4.09 (104)	2.20 (55.9)	2.70 (68.5)	1.61 (41)	2.08 (52.8)	.18 (4.6)	2.07 (52.6)
Remote Operated R21-XX-R00		2.60 (66)	3.19 (81)	2.24 (56.9)	.95 (24)	3.19 (81)	2.20 (55.9)	1.33 (33.8)	1.61 (41)	2.08 (52.8)	.18 (4.6)	1.11 (28.2)

## Specifications

Flow Capacity*	1/4	117 SCFM (55 dm <sup>3</sup> /s)
	3/8	180 SCFM (85 dm <sup>3</sup> /s)
	1/2	195 SCFM (92 dm <sup>3</sup> /s)
	3/4	220 SCFM (103 dm <sup>3</sup> /s)
Adjusting Range Pressure	0 to 40 PSIG (0 to 2.8 bar) 0 to 160 PSIG (0 to 11 bar)	
Bleed Rate	0.05 SCFM (0.024 dm <sup>3</sup> /s)	
Gauge Port (2 ea.)	NPT / BSPT-Rc	1/4
Maximum Supply Pressure	300 PSIG (20.7 bar)	
Operating Temperature	32° to 150°F (0° to 65.5°C)	
Port Size	NPT / BSPP-G	1/4, 3/8, 1/2, 3/4
Remote Pilot Port Size	1/4	
Weight	lb. (kg)	2.3 (1.04)

\* Inlet pressure 100 PSIG (6.9 bar). Secondary pressure (1/4, 1/2 & 3/4) 90 PSIG (6.2 bar); (3/8) 80 PSIG (5.5 bar).

## Materials of Construction

Body	Zinc
Bonnet	Zinc / Brass
Piston	Acetal
Seals	Nitrile
Springs	Steel
Valve Assembly	Brass / Nitrile / Acetal

## WARNING

**Product rupture can cause serious injury.  
Do not connect regulator to bottled gas.  
Do not exceed maximum primary pressure rating.**

## CAUTION:

**REGULATOR PRESSURE ADJUSTMENT** – The working range of knob adjustment is designed to permit outlet pressures within their full range. Pressure adjustment beyond this range is also possible because the knob is not a limiting device. This is a common characteristic of most industrial regulators, and limiting devices may be obtained only by special design.

For best performance, regulated pressure should always be set by increasing the pressure up to the desired setting.

= "Most Popular"

### Replacement Kits

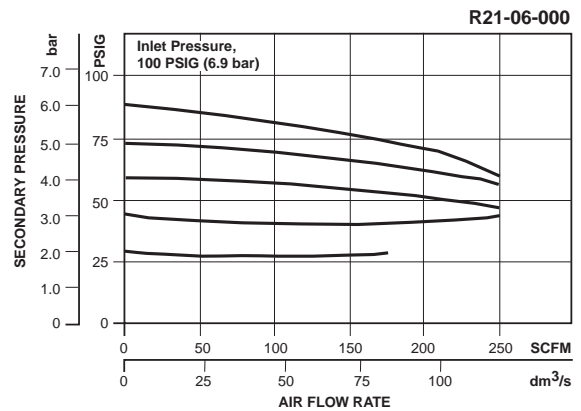
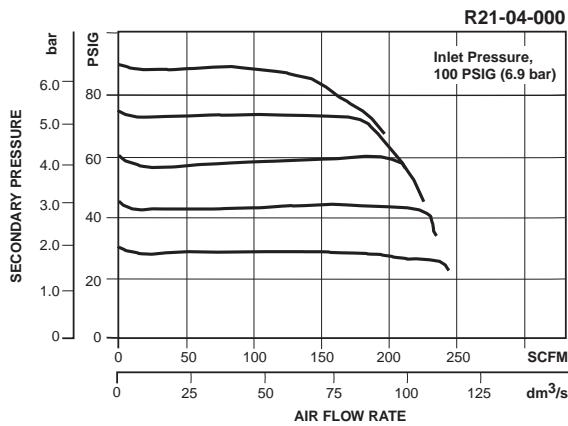
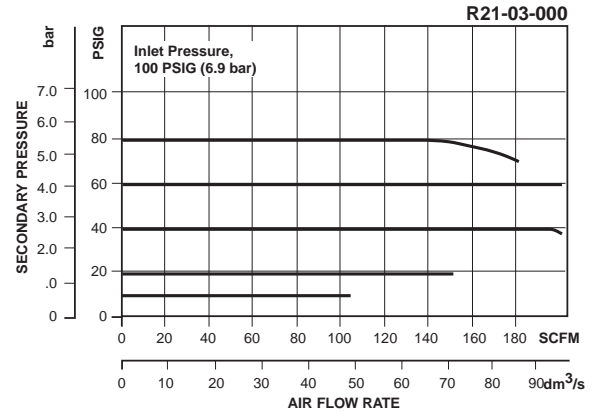
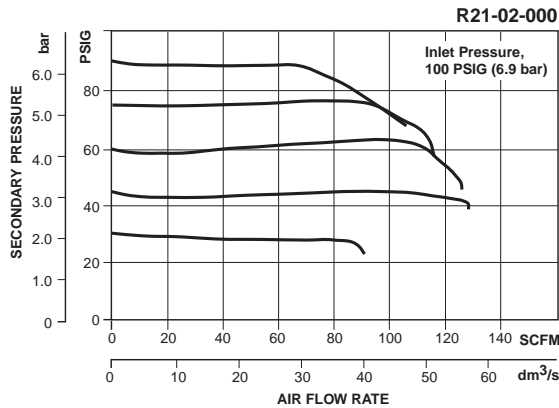
- Adjustment Dial Knob ..... RRP-16-024-000
- Conversion Kit (Series A to Series B) ..... RRP-95-766
- Cover Kit (Remote) –
  - Bonnet and Nitrile, O-ring (Series B) ..... RRP-95-910
  - Bonnet and Fluorocarbon, O-ring (Series B) ..... RRP-95-911
- O-ring, Repair Kit ..... GRP-95-260
- Piston, Bottom and O-ring Seal ..... RRP-95-192
- Spring, Regulating, Belleville Washer –
  - 2 to 40 PSIG (0.1 to 3 bar) ..... RRP-95-906
  - 5 to 160 PSIG (0.4 to 11 bar) ..... RRP-95-905
- Valve, Main with U-cup Seal ..... RRP-95-151
- Valve, Main with U-cup Seal and Bottom Plug –
  - Nitrile Elastomers ..... RRP-95-914
  - Fluorocarbon Elastomers ..... RRP-95-915
- Valve, Main (Remote) with U-cup Seal ..... RRP-96-952

- Valve, Main (Remote) with U-cup Seal and Bottom Plug –
  - Nitrile Elastomers ..... RRP-95-912
  - Fluorocarbon Elastomers ..... RRP-95-913
- Valve, Pilot with O-ring and Valve Spring ..... RRP-96-934

### Accessories

- Wall Mounting Bracket, Gauge Port Adapter,
  - 1/4" NPT ..... RRP-95-590
- Gauge, Pressure –
  - 0 to 60 PSIG (0 to 4 bar), 2" Dial Face,
    - 1/4" NPT, CBM ..... K4520N14060
  - 0 to 160 PSIG (0 to 11 bar), 2" Dial Face,
    - 1/4" NPT, CBM ..... K4520N14160
  - 0 to 160 PSIG, 1-3/4" Digital Round,
    - 1/4" NPT ..... K4517N14160D
- Tamper Resistant Kit ..... RRP-95-585

**B**  
Filters, Regulators, Lubricators



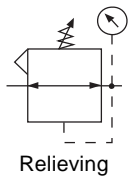
### Ordering Information

Model Type	Port Size	High Flow 5 to 160 PSIG (0.4 to 11 bar)	Low Pressure 2 to 40 PSIG (0.1 to 3 bar)	Remote 5 to 160 PSIG (0.4 to 11 bar)
<b>Relieving</b>	1/4	R21-02-000	R21-02-L00	R21-02-R00
	3/8	R21-03-000	R21-03-L00	R21-03-R00
	1/2	R21-04-000	R21-04-L00	R21-04-R00
	3/4	R21-06-000	R21-06-L00	R21-06-R00

Options - To order an option supplied with the unit model, add the appropriate coded suffix letter in the designated position of the model number.

# Dial-Air™ Regulator R31

= "Most Popular"



**R31-06-000**

## Features

- Balanced Valve Design
- Non-Rising Pressure Adjusting Dial
- High-Relief Flow (3/16" Relief Orifice)
- Two 1/4" NPT / BSPT-Rc Gauge Ports, Usually Used for Additional Outlets
- Piston Operated

## Specifications

Flow Capacity*	3/4	400 SCFM (189 dm <sup>3</sup> /s)
	1	650 SCFM (307 dm <sup>3</sup> /s)
	1-1/4	700 SCFM (330 dm <sup>3</sup> /s)
Adjusting Range Pressure		0 to 40 PSIG (0 to 2.7 bar)
		0 to 160 PSIG (0 to 11 bar)
Bleed Rate		0.05 SCFM (0.024 dm <sup>3</sup> /s)
Gauge Port (2 ea.)	NPT / BSPT-Rc	1/4
Maximum Supply Pressure		300 PSIG (20.7 bar)
Operating Temperature		32° to 150°F (0° to 65.5°C)
Port Size	NPT / BSPP-G	3/4, 1, 1-1/4
Remote Pilot Port Size		1/4
Weight	lb. (kg)	4.0 (1.8)

\* Inlet pressure 100 PSIG (6.9 bar). Secondary pressure 80 PSIG (5.5 bar).

## Materials of Construction

Body	Zinc
Bonnet	Zinc / Brass
Piston	Acetal
Seals	Nitrile
Springs	Steel
Valve Assembly	Brass / Nitrile / Acetal

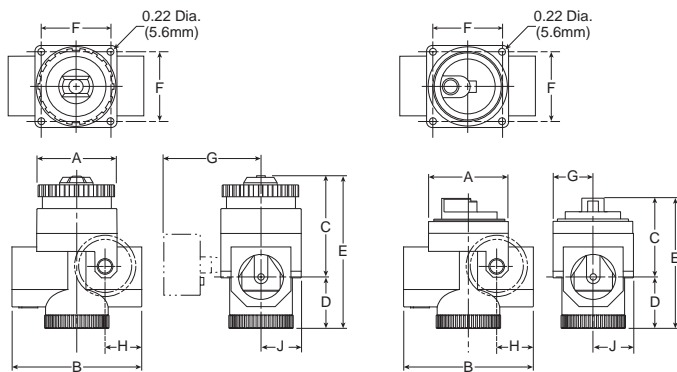
### WARNING

**Product rupture can cause serious injury.  
Do not connect regulator to bottled gas.  
Do not exceed maximum primary pressure rating.**

### CAUTION:

**REGULATOR PRESSURE ADJUSTMENT** – The working range of knob adjustment is designed to permit outlet pressures within their full range. Pressure adjustment beyond this range is also possible because the knob is not a limiting device. This is a common characteristic of most industrial regulators, and limiting devices may be obtained only by special design.

For best performance, regulated pressure should always be set by increasing the pressure up to the desired setting.



Remote Operated

**NOTE:** Panel mounting requires (2) 11/16" (69mm) diameter holes and (4) 7/32" (5.5mm) screw holes. Unit can be mounted on material up to 1-1/4" (32mm) thick.

## Dimensions

Models	Inches (mm)	A	B	C	D	E	F	G	H	J
Standard Unit R31-XX-000		2.59 (66)	4.29 (109)	3.50 (88.9)	1.69 (43)	5.19 (132)	2.20 (55.9)	—	1.23 (31.2)	1.31 (33.3)
With Gauge (order separately) R31-XX-XXX		2.59 (66)	4.29 (109)	3.50 (88.9)	1.69 (43)	5.19 (132)	2.20 (55.9)	3.00 (76)	1.23 (31.2)	1.31 (33.3)
Remote Operated R31-XX-R00		2.59 (66)	4.29 (109)	2.63 (66.8)	1.69 (43)	4.32 (109.7)	2.20 (55.9)	1.33 (33.7)	1.23 (31.2)	1.31 (33.3)

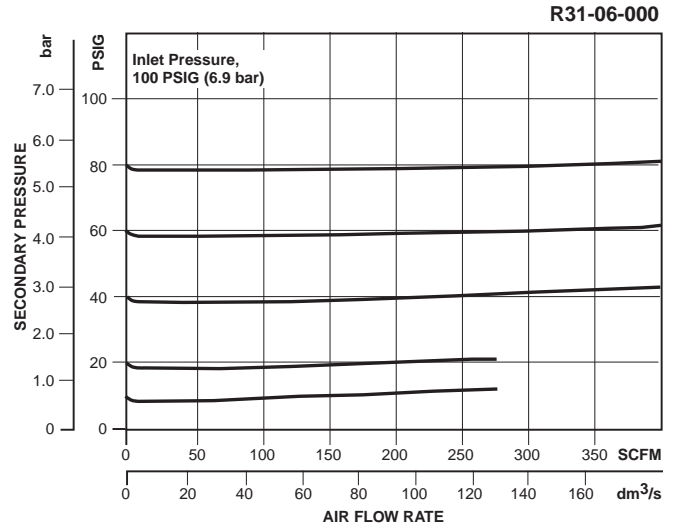
 = "Most Popular"

### Replacement Kits

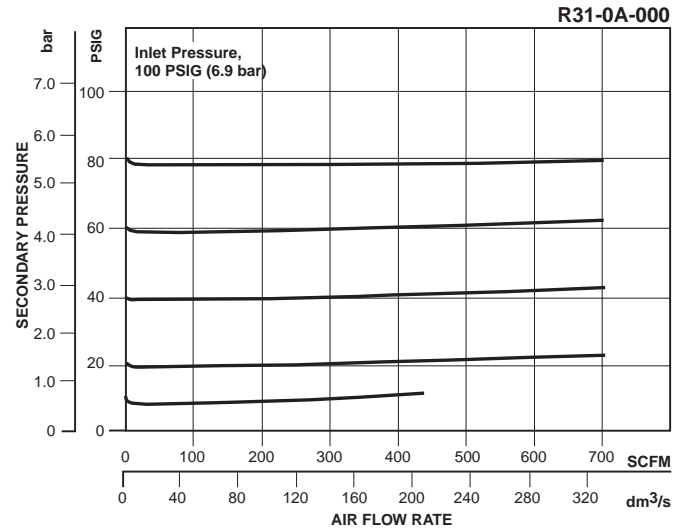
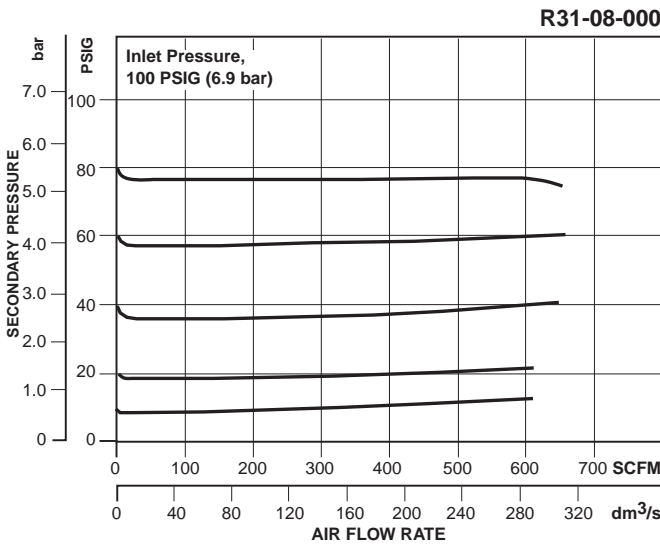
- Adjustment Dial Knob ..... RRP-16-024-000
- Conversion Kit (Series A to Series B) ..... RRP-95-766
- O-ring, Repair Kit ..... GRP-95-261
- Piston, Bottom and O-ring seal ..... RRP-95-192
- Spring, Regulating, Belleville Washer –
  - 2 to 40 PSIG (0.1 to 3 bar) ..... RRP-95-906
  - 5 to 160 PSIG (0.4 to 11 bar) ..... RRP-95-905
- Valve, Main with O-ring Seal ..... RRP-95-152
- Valve, Main (Remote) with O-ring Seal ..... RRP-96-950
- Valve, Pilot with O-ring and Valve Spring ..... RRP-96-935

### Accessories

- Gauge, Pressure –
  - 0 to 60 PSIG (0 to 4 bar), 2" Dial Face, 1/4" NPT, CBM ..... K4520N14060
  - 0 to 160 PSIG (0 to 11 bar), 2" Dial Face, 1/4" NPT, CBM ..... K4520N14160
  - 0 to 160 PSIG, 1-3/4" Digital Round, 1/4" NPT ..... K4517N14160D
- Tamper Resistant Kit ..... RRP-95-585
- Wall Mounting Bracket, Gauge Port Adapter, 1/4" NPT ..... RRP-95-590



**B**  
Filters, Regulators, Lubricators



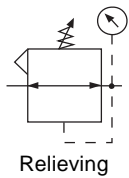
### Ordering Information

Model Type	Port Size	High Flow 5 to 160 PSIG (0.4 to 11 bar)	Low Pressure 2 to 40 PSIG (0.1 to 3 bar)	Remote 5 to 160 PSIG (0.4 to 11 bar)
Relieving	3/4	R31-06-000	R31-06-L00	R31-06-R00
	1	R31-08-000	R31-08-L00	R31-08-R00
	1-1/4	R31-0A-000	R31-0A-L00	R31-0A-R00

Options - To order an option supplied with the unit model, add the appropriate coded suffix letter in the designated position of the model number.

# Dial-Air™ Regulator R41

 = "Most Popular"



**R41-0B-000**

## Features

- Balanced Valve Design
- Non-Rising Pressure Adjusting Dial
- High-Relief Flow (3/16" Relief Orifice)
- Two 1/4" NPT / BSPT-Rc Gauge Ports, Usually Used for Additional Outlets
- Piston Operated

## Specifications

Flow Capacity*	1-1/2, 2	1600 SCFM (755 dm <sup>3</sup> /s)
Adjusting Range Pressure	0 to 160 PSIG (0 to 11 bar)	
Bleed Rate	0.05 SCFM (0,024 dm <sup>3</sup> /s)	
Maximum Supply Pressure	300 PSIG (20.7 bar)	
Operating Temperature	32° to 150°F (0° to 65.5°C)	
Port Size	NPT / BSPP-G	1-1/2, 2
Remote Pilot Port Size	1/4	
Gauge Port (2 ea.)	NPT / BSPT-Rc	1/4
Weight	lb. (kg)	9 (4.1)

\* Inlet pressure 100 PSIG (6.9 bar). Secondary pressure 80 PSIG (5.5 bar).

## Materials of Construction

Body	Zinc
Bonnet	Zinc / Brass
Piston	Zinc
Seals	Nitrile
Springs	Steel
Valve Assembly	Brass / Nitrile / Acetal

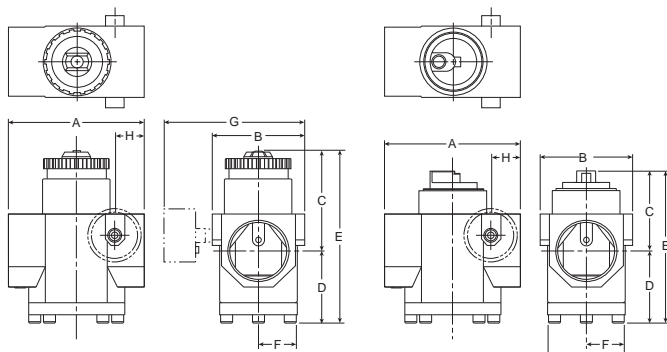
### **WARNING**

**Product rupture can cause serious injury.  
Do not connect regulator to bottled gas.  
Do not exceed maximum primary pressure rating.**

## CAUTION:

**REGULATOR PRESSURE ADJUSTMENT** – The working range of knob adjustment is designed to permit outlet pressures within their full range. Pressure adjustment beyond this range is also possible because the knob is not a limiting device. This is a common characteristic of most industrial regulators, and limiting devices may be obtained only by special design.

For best performance, regulated pressure should always be set by increasing the pressure up to the desired setting.



**Remote Operated**

## Dimensions

Models	Inches (mm)	A	B	C	D	E	F	G	H
Standard Unit R41-XX-000		5.31 (135)	3.58 (91)	4.02 (102)	2.79 (71)	6.81 (173)	1.79 (45.7)	—	1.15 (29.2)
With Gauge (order separately) R41-XX-XXX		5.31 (135)	3.58 (91)	4.02 (102)	2.79 (71)	6.81 (173)	1.79 (45.7)	5.29 (134.6)	1.15 (29.2)
Remote Operated R41-XX-R00		5.31 (135)	3.58 (91)	3.11 (78.9)	2.79 (71)	5.90 (149.8)	1.50 (38)	3.00 (76)	1.15 (29.2)

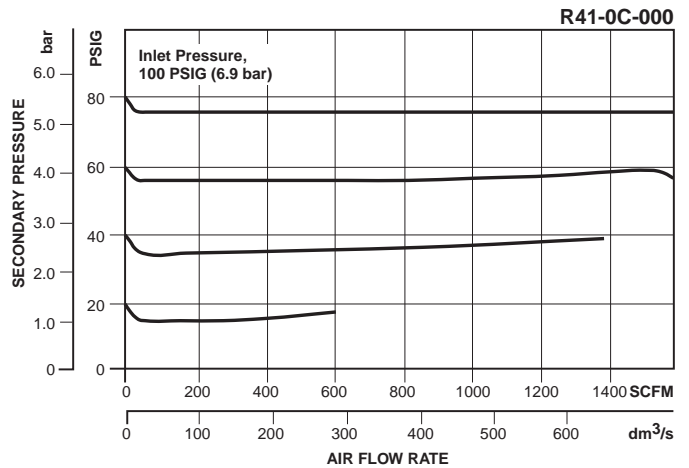
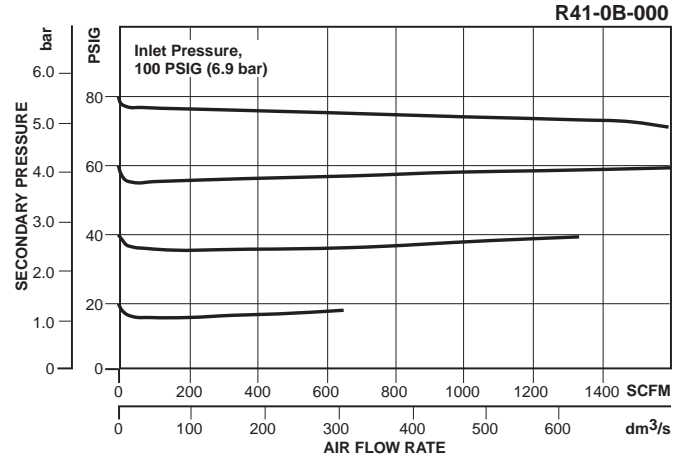
 = "Most Popular"

### Replacement Kits

- Adjustment Dial Knob ..... RRP-16-024-000
- Conversion Kit (Series A to Series B) ..... RRP-95-766
- O-ring, Repair Kit ..... GRP-95-262
- Piston, Bottom and O-ring Seal ..... RRP-95-192
- Spring, Regulating, Belleville Washer –
  - 2 to 40 PSIG (0.1 to 3 bar) ..... RRP-95-906
  - 5 to 160 PSIG (0.4 to 11 bar) ..... RRP-95-905
- Spring, Valve ..... RRP-95-024
- Valve –
  - Main with O-ring Seal ..... RRP-95-153
  - Main (Remote) with O-ring Seal ..... RRP-96-951
  - Pilot with O-ring and Valve Spring ..... RRP-96-935

### Accessories

- Gauge, Pressure –
  - 0 to 60 PSIG (0 to 4 bar), 2" Dial Face, 1/4" NPT, CBM ..... K4520N14060
  - 0 to 160 PSIG (0 to 11 bar), 2" Dial Face, 1/4" NPT, CBM ..... K4520N14160
  - 0 to 160 PSIG, 1-3/4" Digital Round, 1/4" NPT ..... K4517N14160D
- Tamper Resistant Kit ..... RRP-95-585
- Wall Mounting Bracket, Gauge Port Adapter, 1/4" NPT ..... RRP-95-590



### Ordering Information

Model Type	Port Size	High Flow 5 to 160 PSIG (0.4 to 11 bar)	Low Pressure 2 to 40 PSIG (0.1 to 3 bar)	Remote 5 to 160 PSIG (0.4 to 11 bar)
Relieving	1-1/2	R41-0B-000	R41-0B-L00	R41-0B-R00
	2	R41-0C-000	R41-0C-L00	R41-0C-R00

Options - To order an option supplied with the unit model, add the appropriate coded suffix letter in the designated position of the model number.

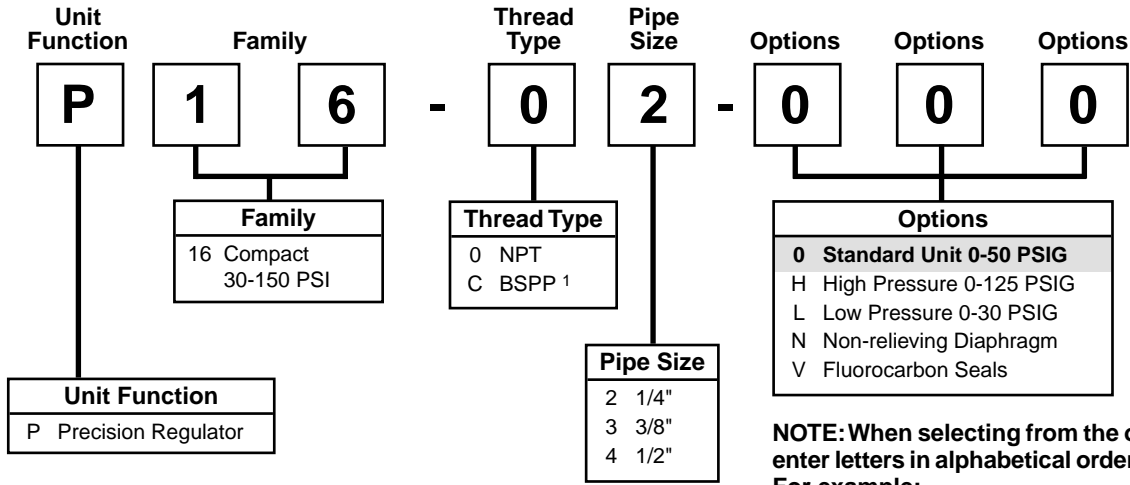
# Notes

**B**

Filters, Regulators, Lubricators

# Precision Regulator Numbering System (16 Series)

   = "Most Popular"



**NOTE:** When selecting from the options columns, please enter letters in alphabetical order for positions 6, 7, and 8. For example:

**P 1 6 - 0 2 - H 0 0**

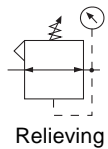
**B**

Filters, Regulators, Lubricators

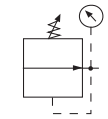


# Precision Regulator P16 (Modular)

 = "Most Popular"



Relieving



Non-Relieving

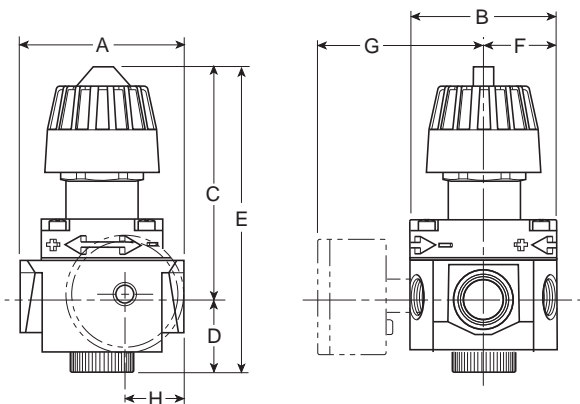


**P16-02-000**

The P16 models are general purpose regulators specifically designed for applications that require reliable performance and accurate pressure control.

## Features

- *Stable Output* – Aspirator Design Minimizes “Droop” at Higher Flow Levels
- *Accuracy* – High Diaphragm-to-Valve-Area Ratio Combined with Unbalanced Valve Provides High Precision with Minimal Initial Pressure Droop
- *Sensitive* – Responds Quickly to the Slightest Change in Downstream Pressure
- *Easy Maintenance* – May be Disassembled and Serviced without Removal from Air Line
- *Modular Design* – Available in a Modular Configuration to Work with Other Wilkerson Modular Units, Accessories and Options



**NOTE:** 1.31" Dia. (33,3 mm) hole required for panel nut mounting.

## Dimensions

Models	Inches (mm)	A	B	C	D	E	F	G	H
Standard Unit P16-XX-000		2.99 (76)	2.59 (66)	3.99 (101.3)	1.20 (30.5)	5.19 (132)	1.29 (33)	—	1.02 (25.9)
With Gauge (order gauge separately) P16-XX-XXX		2.99 (76)	2.59 (66)	3.99 (101.3)	1.20 (30.5)	5.19 (132)	1.29 (33)	2.99 (76)	1.02 (25.9)

## Specifications

Flow Capacity*	P16	22.0 SCFM (10.4 dm <sup>3</sup> /s)
Bleed Rate		0.03 SCFM (0.014 dm <sup>3</sup> /s) max.
Gauge Port (2 ea.)	NPT / BSPT-Rc	1/4
Maximum Supply Pressure		300 PSIG (20.7 bar)
Operating Temperature		32° to 150°F (0° to 65.5°C)
Port Size	NPT / BSPP-G	1/4, 3/8, 1/2
Weight	lb. (kg)	1.66 (0.75)

\* Inlet pressure 100 PSIG (6,9 bar). Secondary pressure 45 PSIG (3,1 bar).

## Materials of Construction

Body	Zinc
Bonnet	PBT
Diaphragm	Nitrile / Zinc
Panel Nut	Acetal
Seals	Nitrile
Springs	Steel
Valve Assembly	Brass / Nitrile



## WARNING

**Product rupture can cause serious injury.  
Do not connect regulator to bottled gas.  
Do not exceed maximum primary pressure rating.**

## CAUTION:

**REGULATOR PRESSURE ADJUSTMENT** – The working range of knob adjustment is designed to permit outlet pressures within their full range. Pressure adjustment beyond this range is also possible because the knob is not a limiting device. This is a common characteristic of most industrial regulators, and limiting devices may be obtained only by special design.

For best performance, regulated pressure should always be set by increasing the pressure up to the desired setting.

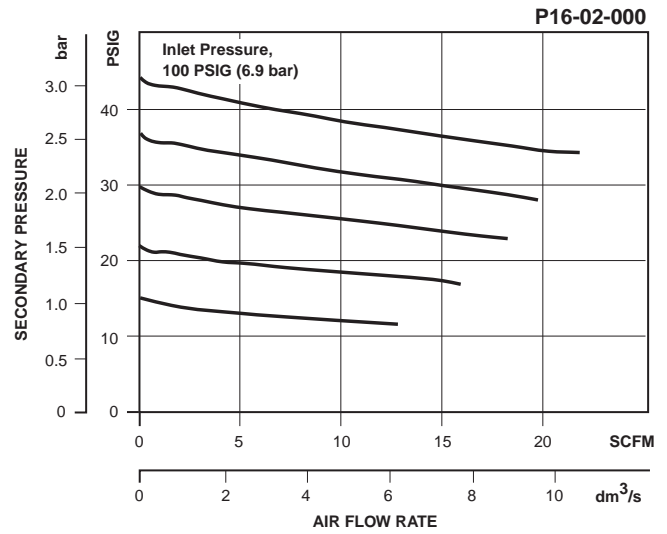
= "Most Popular"

### Replacement Kits

- Diaphragm Assembly
  - Self-relieving, Fluorocarbon .....PRP-95-073
  - Self-relieving, Nitrile .....PRP-95-960
- Knob, Adjusting (Series A)
  - Used on Units with Plastic Bonnets ..... RRP-95-023
- Knob, Adjusting (Prior to Series A)
  - Used on Units with Zinc Bonnets ..... RRP-95-007
- Repair Kit, Non-relieving Diaphragm, Valve / Valve Spring, O-rings .....PRP-95-053
- Repair Kit, Self-relieving Diaphragm, Valve / Valve Spring, O-rings ..... PRP-95-004
- Spring, Regulating –
  - 0 to 15 PSIG (0 to 1 bar) ..... RRP-95-233
  - 0 to 30 PSIG (0 to 2.1 bar) .....RRP-95-916
  - 0 to 50 PSIG (0 to 3.4 bar) ..... RRP-95-222
  - 0 to 125 PSIG (0 to 8.6 bar) .....RRP-95-224
- Valve, Fluorocarbon (Valve Only) .....PPA-95-067
- Valve Assembly – Valve and Valve Spring .....PRP-95-959

### Accessories

- Gauge, Pressure, 2" Dial Face, 1/4 NPT, CBM
  - 0 to 30 PSIG (0 to 2.1 bar) ..... K4520N14030W
  - 0 to 60 PSIG (0 to 4 bar) ..... K4520N14060W
  - 0 to 160 PSIG (0 to 11 bar) .....K4520N14160W
  - 0 to 160 PSIG, 1-3/4" Digital Round, 1/4" NPT ..... K4517N14160D
- Nut, Panel Nut, Plastic ..... GPA-95-032
- Tamper Resistant Kit, Ring Style .....RPA-95-006
- Wall Mounting Bracket
  - Gauge Port Adapter, 1/4 NPT ..... RRP-95-590
  - L-Type – Heavy Duty .....RPA-95-090
  - L-Type – Standard .....GPA-95-012
  - L-Type with Plastic Panel Mount Nut ..... GPA-95-011



**B**  
Filters, Regulators, Lubricators

### Ordering Information

Model Type	Port Size	Standard Unit 0 to 50 PSIG (0 to 3.4 bar)	High Pressure 0 to 125 PSIG (0 to 8.6 bar)	Low Pressure 0 to 30 PSIG (0 to 2.1 bar)	Fluorocarbon Seals
<b>P16 Relieving</b>	1/4	P16-02-000	P16-02-H00	P16-02-L00	P16-02-V00
	3/8	P16-03-000	P16-03-H00	P16-03-L00	P16-03-V00
	1/2	P16-04-000	P16-04-H00	P16-04-L00	P16-04-V00

**Options** - To order an option supplied with the unit model, add the appropriate coded suffix letter in the designated position of the model number.



= "Most Popular"

## Regulator Kits

### Service Kits

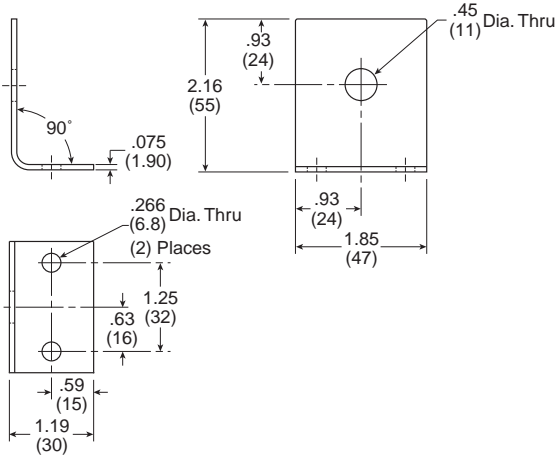
2-40 PSIG .....	RKR210A*
2-120 PSIG .....	RKR210C*
2-120 PSIG (High Relieving) .....	RKR220C*

\* Parts in Kit

### Accessories

#### Mounting Bracket Kits

Pipe Mounting .....	SA200YW57
Right Angle Mounting .....	446-707-045



Mounting Bracket: 446-707-045

**⚠ WARNING**

**Product rupture can cause serious injury.  
Do not connect regulator to bottled gas.  
Do not exceed maximum primary pressure rating.**

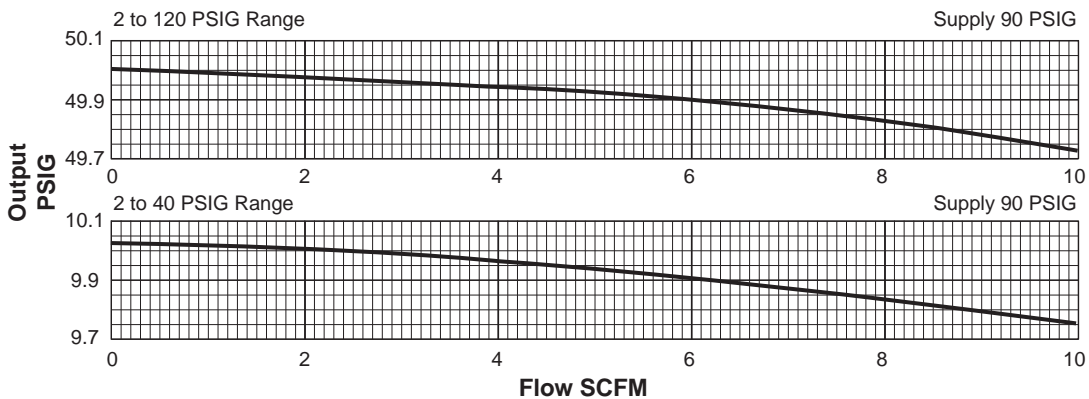
### CAUTION:

**REGULATOR PRESSURE ADJUSTMENT** – The working range of knob adjustment is designed to permit outlet pressures within their full range. Pressure adjustment beyond this range is also possible because the knob is not a limiting device. This is a common characteristic of most industrial regulators, and limiting devices may be obtained only by special design. For best performance, regulated pressure should always be set by increasing the pressure up to the desired setting.

### Applications

The P17 regulators are well suited for any process that requires very precise regulation of air pressure in pipes and vessels. These regulators are often used, but not limited to the following applications:

- Air Gauging
- Gas Mixing
- Calibration Standards
- Air Hoists
- Web Tensioning
- Gate Actuators
- Roll Loading
- Valve Operators
- Cylinder Loading



### Ordering Information

Relieving		Reduced Pressure Range (PSIG)		
		2 to 40	2 to 120	2 to 120 High Relief
In / Out Ports	1/4"	P17-02-B00	P17-02-F00	P17-02-FH0