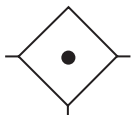


Coalescing Filter M18

B

Filters, Regulators, Lubricators



Coalescing Filter



Auto Drain



Features

- High-efficiency Removal of Water, Oil Aerosols, and Solid Particulate Contaminants Down to 0.01 ppm / wt with Minimum Pressure Drop
- Modern Design and Appearance
- Light Weight
- High Flow Capacity
- Bowl Guard
- Quick-disconnect Bowl

Specifications

Flow Capacity*		
1.0 Micron Coalescing		53 SCFM (25 dm ³ /s, ANR)
0.01 Micron Coalescing		36 SCFM (17 dm ³ /s, ANR)
Activated Carbon Adsorber		85 SCFM (40 dm ³ /s, ANR)
Maximum Supply Pressure	Plastic Bowl	150 PSIG (10 bar) [†]
	Metal Bowl w/ DPI	150 PSIG (10 bar) [†]
	Metal Bowl w/o DPI	250 PSIG (17 bar) [†]
Operating Temperature	Plastic Bowl	-13° to 125°F (-25° to 52°C)
	Metal Bowl	-13° to 150°F (-25° to 65.5°C)
Port Size	NPT / BSPP-G	1/4, 3/8, 1/2
Bowl Capacity		1.72 oz
Standard Filtration Micron		(B) 0.5, (C) 0.01
		(D) 0.003 ppm wt**
Weight		0.71 lb (0.32 kg)

* Inlet pressure 91.3 PSIG (6.3 bar). Pressure drop 3 PSIG (0.2 bar).

** Filtration temperature of 70°F (21°C) @ 100 PSIG (6.9 bar) with typical compressor lubricating oil and protected by Type C filter.

† Without pressure indicator — max. supply pressure for metal bowl version is 250 PSIG (17.2 bar).

“M” Series Coalescing Filters, with Type “B” 0.5 micron elements: All Wilkerson Type “M” Oil Removal (Coalescing) Filters with Type “B” 0.5 micron elements **exceed ISO Class 2** for maximum particle size and concentration of solid contaminants, and exceed Class 3 on maximum oil content (ppm/wt).

“M” Series Coalescing Filters, with Type “C” 0.01 micron elements: All Wilkerson Type “M” Oil Removal (Coalescing) Filters with Type “C” 0.01 micron elements **exceed ISO Class 1** for maximum particle size and concentration of solid contaminants, and exceed Class 1 on maximum oil content (ppm/wt).

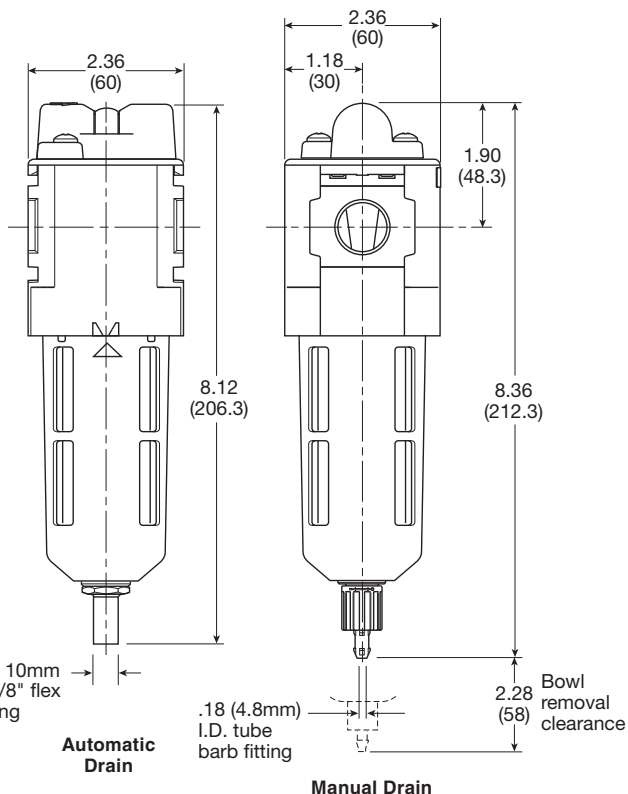
“M” Series Adsorption Filters, with Type “D” 0.003 micron activated carbon elements: All Wilkerson Type “M” adsorption filters with Type “D” 0.003 micron activated carbon elements **exceed ISO Class 1** on maximum oil content (ppm/wt).

Materials of Construction

Body	Aluminum	
Body Cap	ABS	
Bowl	Plastic Bowl	Polycarbonate
	Metal Bowl	Aluminum
Filter Element	Type “B”, “C”	Borosilicate Cloth
	Type “D”	Activated Carbon
Seals	Nitrile	
Sight Gauge	Metal Bowl	Polyamide (Nylon)

Notes: To optimize the life of the coalescing element, it is advisable to install a pre-filter with a 5 micron element upstream of the coalescing filter.

To optimize the life of the adsorber element, it is advisable to install a coalescing 0.01 micron filter upstream of the adsorber filter.



Inches (mm)

= "Most Popular"

Replacement Bowl Kits

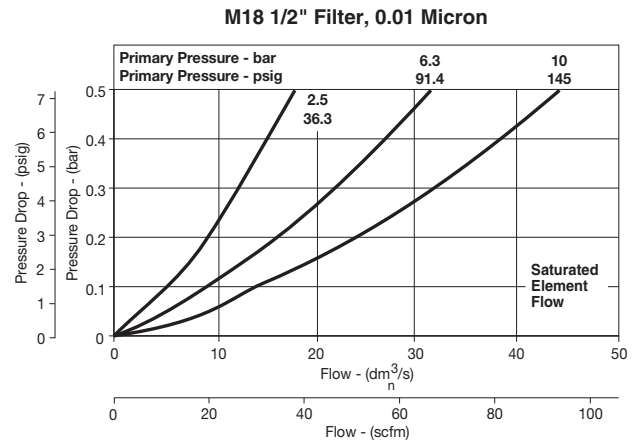
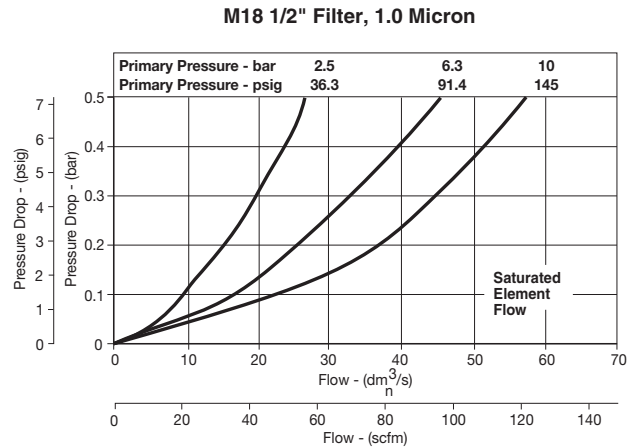
- Metal Bowl with Sight Gauge,
Automatic Float Drain..... GRP-96-637
- Metal Bowl with Sight Gauge, Manual Drain..... GRP-96-636
- Plastic Bowl –
Bowl Guard, Auto Drain GRP-96-635
- Bowl Guard, Manual Drain..... GRP-96-634

Replacement Element Kits

- Type "B", 0.5 Micron..... MSP-96-647
- Type "C", 0.01 Micron..... MTP-96-646
- Type "D", 0.003 Micron Activated Carbon MXP-96-650

Accessories

- Automatic Drain –
Fluorocarbon GRP-95-981
- Nitrile GRP-95-973
- DPI Replacement Kit..... DP8-01-000
- Electronic DPI Conversion Kit..... GRP-96-823
(Converts visual DPI to electronic DPI)
- Electronic DPI Replacement Kit GRP-96-824
- Manual Drain..... GRP-96-685
- Sight Gauge Kit..... GRP-96-825
- Wall Mounting Bracket –
L-Type GPA-96-604
- T-Type GPA-96-602



B
Filters, Regulators, Lubricators

Ordering Information

Model Type	Port Size	Plastic Bowl / Bowl Guard / C Element	Plastic Bowl / Bowl Guard / B Element	Plastic Bowl / Bowl Guard / D Element	Metal Bowl / Sight Gauge / C Element	Metal Bowl / Sight Gauge / B Element	Metal Bowl / Sight Gauge / D Element
Manual Drain	1/4	M18-02-CK00B	M18-02-BK00B	M18-02-DK00B	M18-02-CL00B	M18-02-BL00B	M18-02-DL00B
	3/8	M18-03-CK00B	M18-03-BK00B	M18-03-DK00B	M18-03-CL00B	M18-03-BL00B	M18-03-DL00B
	1/2	M18-04-CK00B	M18-04-BK00B	M18-04-DK00B	M18-04-CL00B	M18-04-BL00B	M18-04-DL00B
Automatic Drain	1/4	M18-02-CG00B	M18-02-BG00B	N/A	M18-02-CH00B	M18-02-BH00B	N/A
	3/8	M18-03-CG00B	M18-03-BG00B	N/A	M18-03-CH00B	M18-03-BH00B	N/A
	1/2	M18-04-CG00B	M18-04-BG00B	N/A	M18-04-CH00B	M18-04-BH00B	N/A

Options - To order an option supplied with the unit model, add the appropriate coded suffix letter in the designated position of the model number.