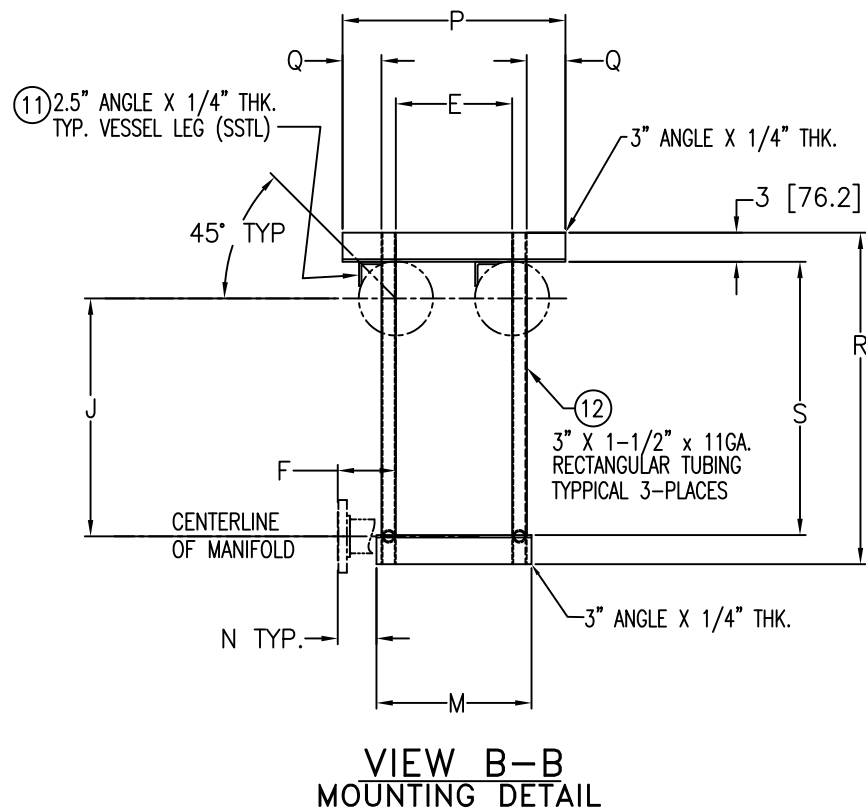
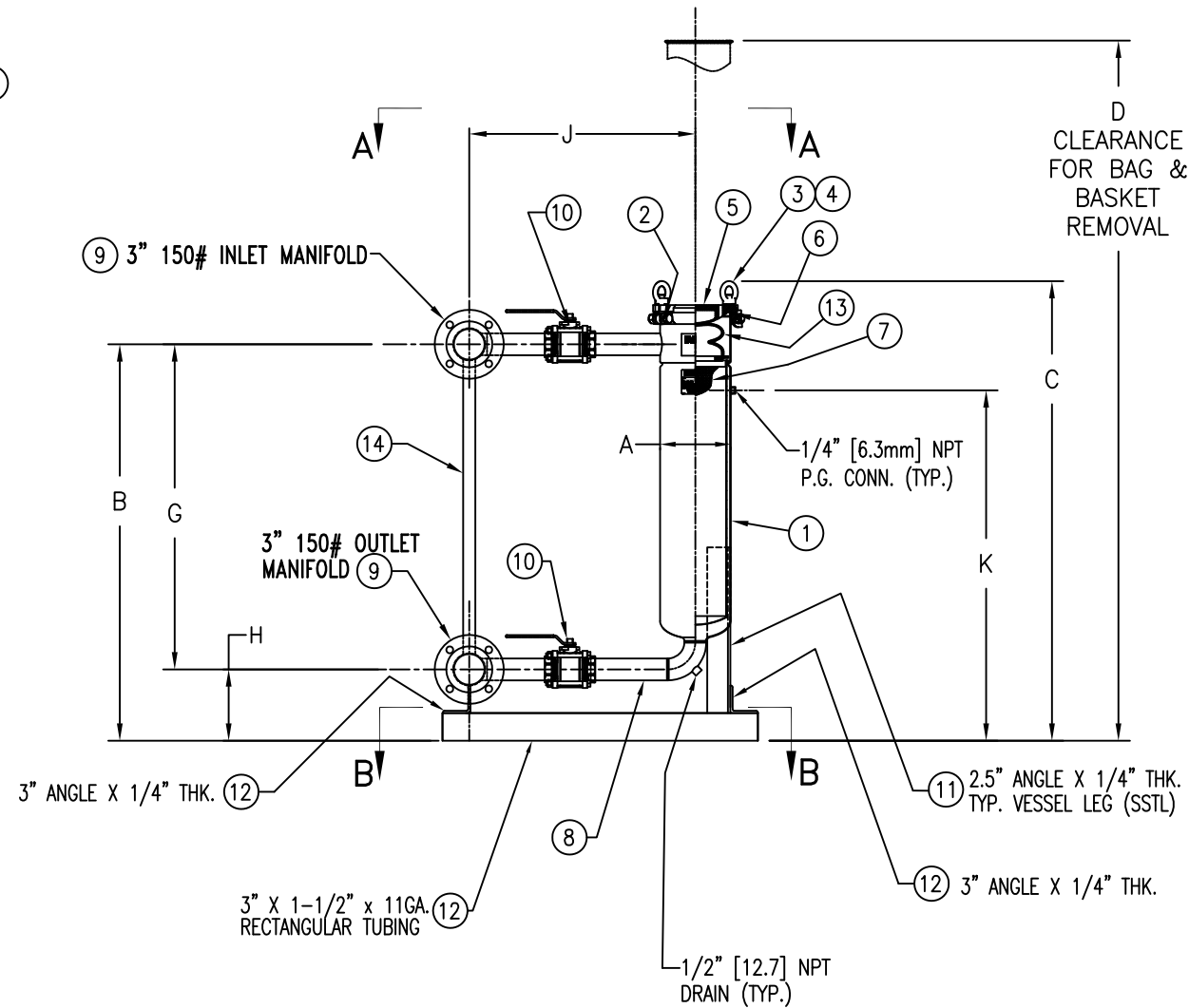
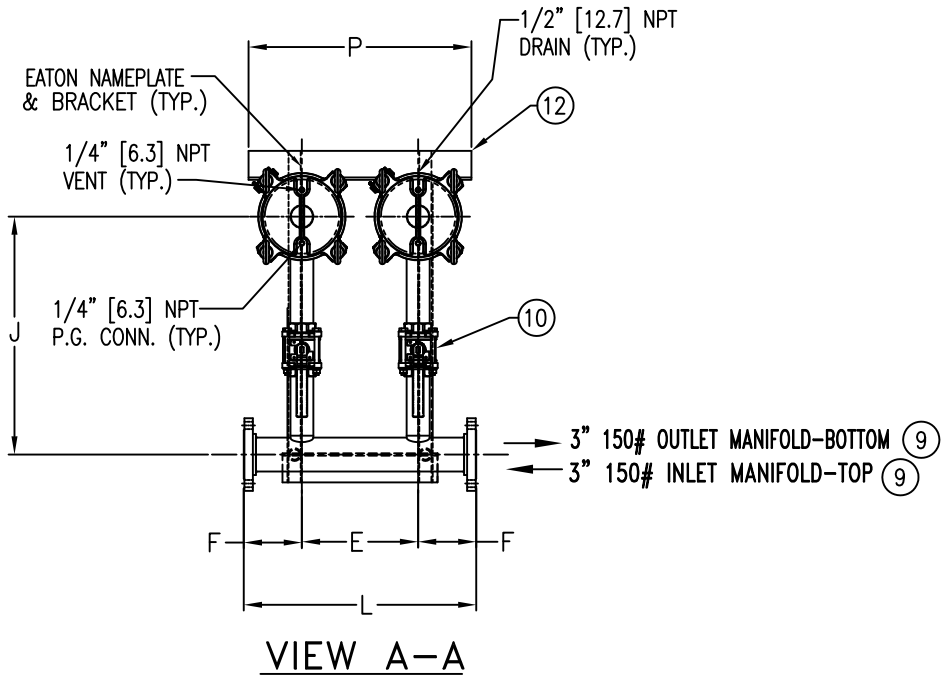


ITEM NUMBER	BAG SIZE	A IN. / MM	B IN. / MM	C IN. / MM	D IN. / MM	E IN. / MM	F IN. / MM	G IN. / MM	H IN. / MM	J IN. / MM	K IN. / MM	L IN. / MM	M IN. / MM	N IN. / MM	P IN. / MM	Q IN. / MM	R IN. / MM	S IN. / MM	WEIGHT LBS / KGS
F3AVFB20402	O2	7.677 / 195	43-1/16 / 1094	49-15/16 / 1268	77 / 1956	12 / 305	6 / 152.5	35-5/16 / 897	7-3/4 / 197	24-9/16 / 624	38-1/16 / 967	24 / 610	16 / 406	4 / 102	23 / 584	4 / 102	34-1/4 / 870	28-1/4 / 718	330 / 149.6

REV	DATE	CHANGE	ECR	BY	APP
A	6/20/2011	NEW RELEASE	0057812	FJM	FM



NO.	PART NAME	MATERIAL
1	BODY	316 STAINLESS STEEL
2	NUT/BOLT	STEEL, ZINC PLATED
3	EYE BOLT	STEEL, ZINC PLATED
4	EYE NUT	STEEL, ZINC PLATED
5	COVER	316 STAINLESS STEEL
6	O-RING	BUNA-N
7	RESTRAINER BASKET	316 STAINLESS STEEL
8	2\"/>	

NOTES:

- INLET/OUTLET 3" 150# CONNECTIONS PER ANSI B16.5.
- MAWP: 150 PSI @ 250° F (10.3 BAR @ 121.1° C)
MDMT: -20° F @ 150 PSI (-28.9° C @ 10.3 BAR)
- ALL DIMENSIONS ARE IN INCHES & [] MILLIMETERS.
- 2" SOCKET WELD BALL VALVES STAINLESS STEEL EATON STANDARD P/N 41003 FULL PORT 3 PIECE.

CUSTOMER: GHX INCORPORATED
P.O. NO.: 6022002
SALES ORDER NO.: S220450
QUANTITY: ONE ASSEMBLY
VESSEL CODE: M-FBF2-0202-AB10-030A-NL-B-NSS-VAL

EATON	EATON FILTRATION, LLC	
	70 WOOD AVENUE SOUTH, ISELIN, NEW JERSEY 08830	
NAMEFLOWLINE 2 (FBF2-0202) FILTER VESSEL 3" 150# IN/OUT FLANGE MANIFOLD STAINLESS STEEL W/BALL VALVES		

UNAUTHORIZED USE, MANUFACTURE OR REPRODUCTION IN WHOLE OR IN PART IS PROHIBITED. DRAWING, DESIGN AND OTHER DISCLOSURES PROPERTY OF EATON FILTRATION, LLC	DATE 06/20/11	CERT. LH	DATE 06/20/11
ELECTRONIC FILE NAME: MFBF202XS.DWG	REF. ECR 0057812	DATE 06/20/11	
SIZE B	DWG NO	REV A	