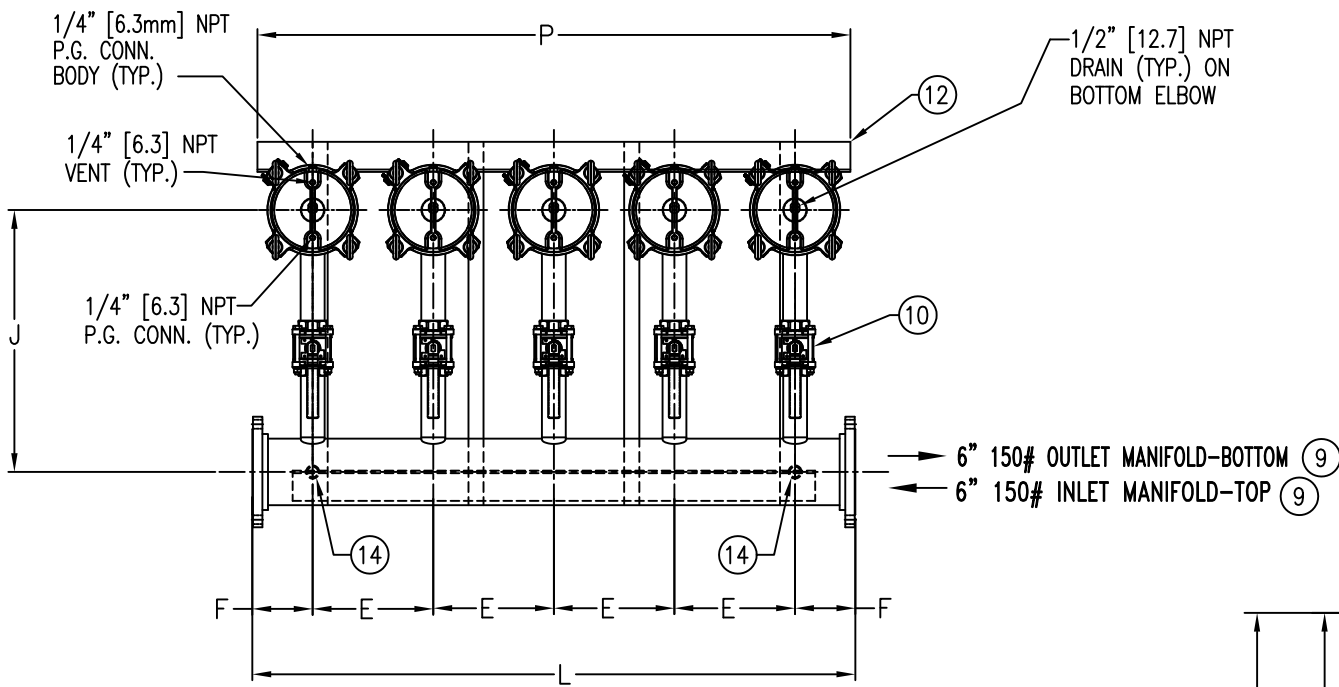
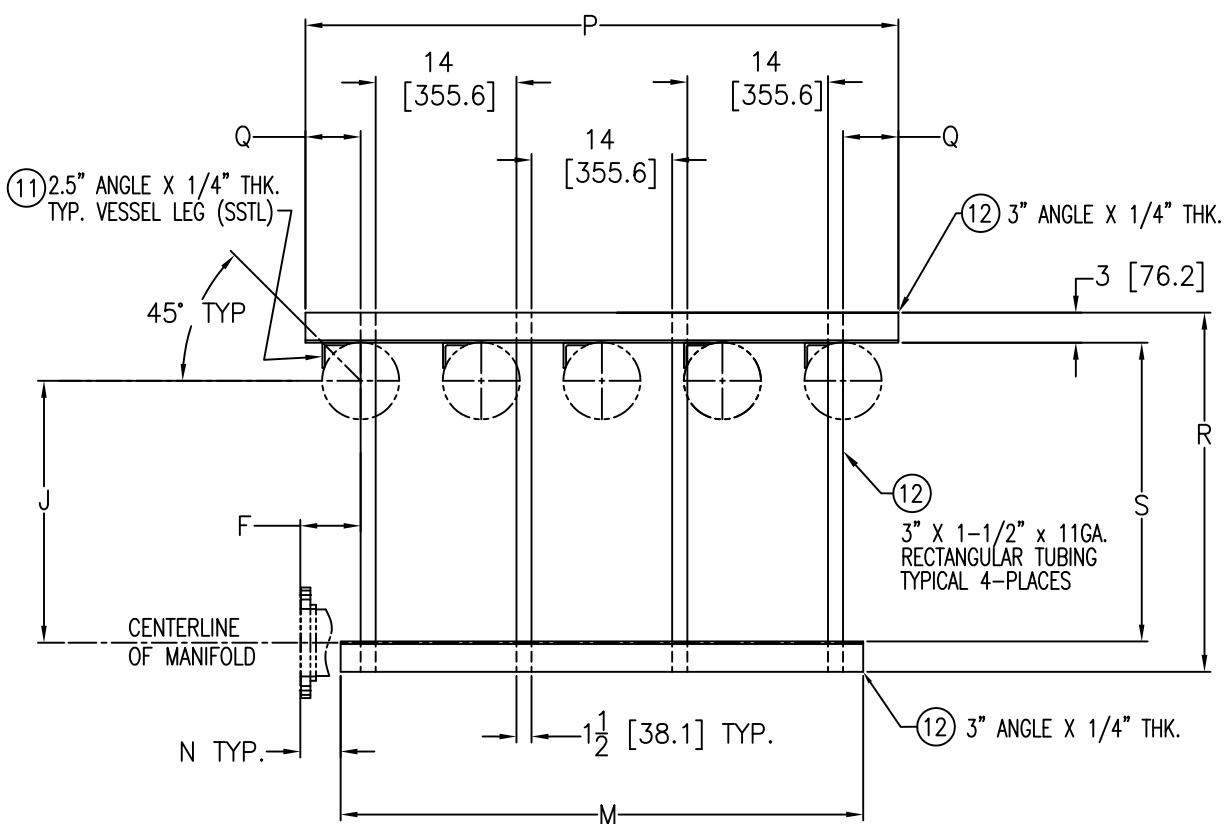


ITEM NUMBER	BAG SIZE	A IN. / MM	B IN. / MM	C IN. / MM	D IN. / MM	E IN. / MM	F IN. / MM	G IN. / MM	H IN. / MM	J IN. / MM	K IN. / MM	L IN. / MM	M IN. / MM	N IN. / MM	P IN. / MM	Q IN. / MM	R IN. / MM	S IN. / MM	WEIGHT LBS / KGS
F3AVFB20405	02	7.677 / 195	44-5/8 / 1133.5	51-1/2 / 1308.1	78 / 1981.2	12 / 304.8	6 / 152.4	35-5/16 / 896.9	9-5/16 / 236.5	26-1/16 / 662	39-5/8 / 1006.4	60 / 1524	52 / 1320.8	4 / 101.6	59 / 1498.6	5-1/2 / 139.7	35-3/4 / 908	29-3/4 / 755.6	750 / 340.2

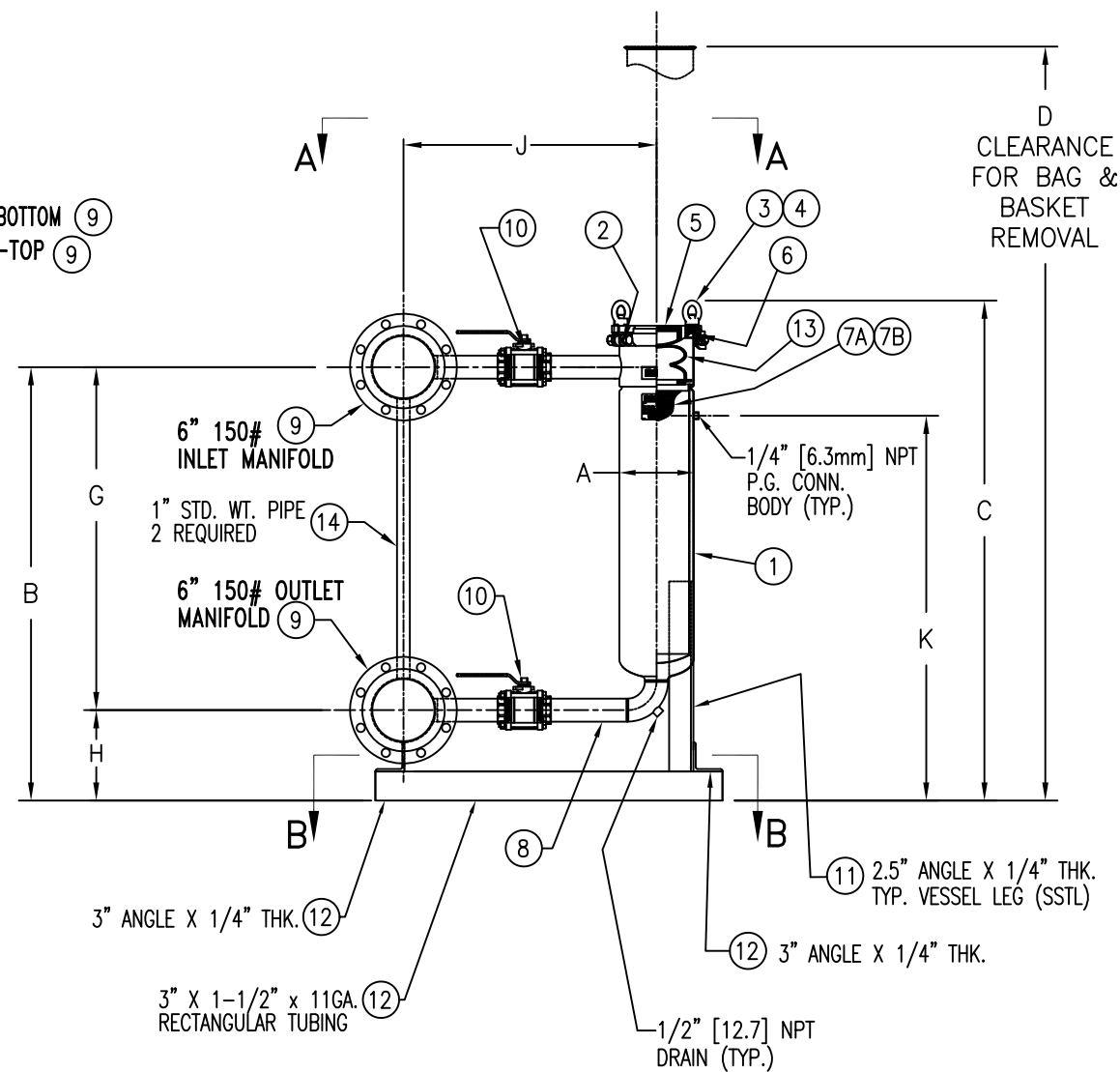
REVISIONS				
REV	DESCRIPTION	BY	ECO	DATE
A	NEW RELEASE	FJM	0124696	07/11/16



VIEW A-A



VIEW B-B  
MOUNTING DETAIL



NO.	PART NAME	MATERIAL
1	BODY	316 STAINLESS STEEL
2	NUT/BOLT	STEEL, ZINC PLATED
3	EYE BOLT	STEEL, ZINC PLATED
4	EYE NUT	STEEL, ZINC PLATED
5	COVER	316 STAINLESS STEEL
6	O-RING COVER P/N X811445	BUNA-N
7A	RESTRAINER BASKET P/N WEE000009	316 STAINLESS STEEL
7B	O-RING BASKET P/N RPC0000004	BUNA-N
8	2\"/>	

- NOTES:
- MANIFOLD INLET/OUTLET 6" 150# CONNECTIONS PER ANSI B16.5.
  - MAWP: 150 PSI @ 250° F (10.3 BAR @ 121.1° C)  
MDMT: -20° F @ 150 PSI (-28.9° C @ 10.3 BAR)
  - ALL DIMENSIONS ARE IN INCHES & [ ] MILLIMETERS.
  - 2" SOCKET WELD BALL VALVES STAINLESS STEEL EATON STANDARD P/N RPV0000018 & RPV0000019 FULL PORT 3 PIECE.

CUSTOMER INFO	
NAME	
P.O. NO.	
S.O. NO.	
QUANTITY	
PART NO.	F3AVFB20405

TOLERANCES (UNLESS OTHERWISE SPECIFIED)	
DECIMAL:	.X ± .030 .XX ± .010 .XXX ± .005
FRACTIONAL:	± 1/16
NOZZLE Q. TO FLOOR:	1/8" < 4' > 1/4"
FACE TO FACE:	1/8" < 4' > 1/4"
ANGULAR:	± 1°
FLANGES (H/V):	± 1/2°
VESEL OVERALL HT.:	± 1"
BOLT HOLES MUST STRADDLE Q. MACHINED PARTS TO BE FREE OF BURRS FOR ADDITIONAL TOLERANCE DETAILS REF. ES-211, ES-222 AND ES-223	
REVIEWED FOR CLASSIFICATION PER PR-4	
CRITICAL SIGNIFICANT	

DRAWN BY FJM	SCALE AS DRAWN
RESTRICTION RESTRICTED	SHEET 1 OF 1
PROJECTION THIRD ANGLE	DATE 07/11/16
	SIZE B
	DWG FILENAME MFBF205XS
	REV A

**EATON** HYDRAULICS GROUP  
FILTRATION DIVISION  
GALESBURG, MICHIGAN, USA • TINTON FALLS, NEW JERSEY, USA

TITLE MODULINE FLOWLINE II (MFBF2-0502) FILTER VESSEL  
6" 150# IN/ OUT FLANGE MANIFOLD  
MAT'L. SS-316 W/BALL VALVES

DATE 07/11/16 SIZE B DWG FILENAME MFBF205XS REV A

EATON CORPORATION - CONFIDENTIAL AND PROPRIETARY NOTICE TO PERSONS RECEIVING THIS DRAWING AND/OR TECHNICAL INFORMATION. THIS DOCUMENT, INCLUDING THE DRAWING AND INFORMATION CONTAINED THEREIN IS CONFIDENTIAL AND IS THE EXCLUSIVE PROPERTY OF EATON AT ANY TIME. BY TAKING THE POSSESSION OF THIS DOCUMENT THE RECIPIENT ACKNOWLEDGES AND AGREES THAT THIS DOCUMENT CANNOT BE USED IN ANY MANNER ADVERSE TO THE INTEREST OF EATON AND THAT NO PORTION OF THIS DRAWING MAY BE COPIED OR OTHERWISE REPRODUCED WITHOUT THE PRIOR WRITTEN CONSENT OF EATON, IN THE CASE OF CONFLICT CONTRACTUAL PROVISIONS, THIS NOTICE SHALL GOVERN THE STATUS OF THIS DOCUMENT. 2014 EATON CORPORATION - ALL RIGHTS RESERVED.