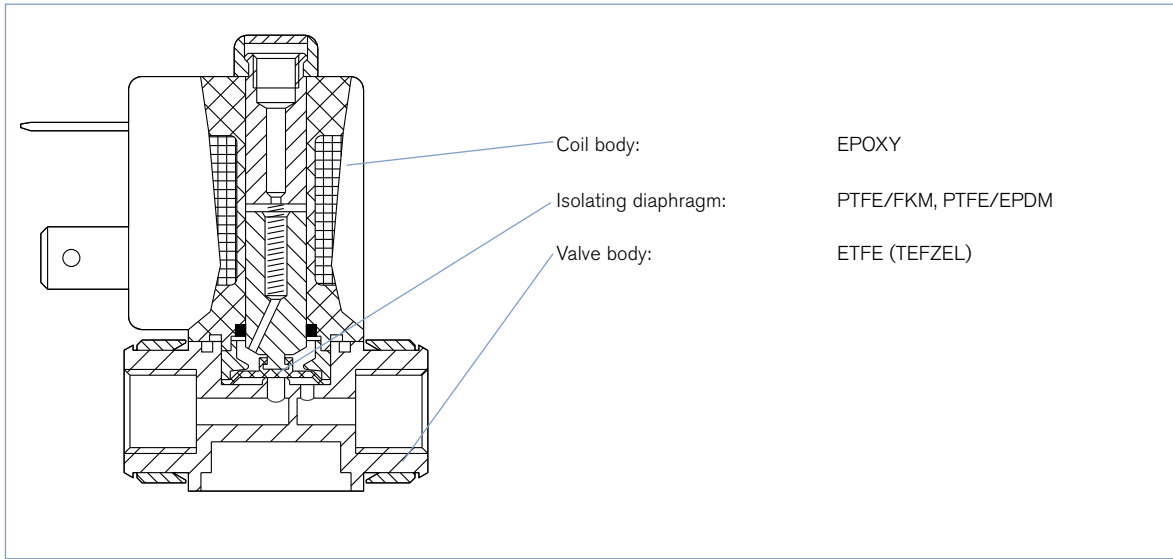


Materials






Ordering chart for valves (other versions on request)

All valves with ETFE-body (TEFZEL); without cable plug (see accessory); PTFE-seat seal with EPDM or FKM

Circuit function	Orifice [mm]	Port connection	Kv value water [m³/h]	Pressure range [bar]	Seal material	Voltage/ Frequency [V/Hz]	Item no.
A	1.2	G 1/8	0.045	0 - 2	PTFE/FKM	24/UC	064929
A	1.6	G 1/8	0.06	0 - 1.5	PTFE/EPDM	24/DC	057606
						24/UC	058206
						12 V/DC Batterie	085529
					PTFE/FKM	24/DC	056664
						24/UC	041763
						220-230/UC	057839
A	2.0	G 1/8	0.09	0 - 1.0	PTFE/EPDM	24/DC	043698
						24/UC	068170
						220-230/UC	021301
					PTFE/FKM	24/DC	040947
						24/UC	058062
						220-230/UC	021186
A	2.4	G 1/8	0.10	0 - 1.0	PTFE/EPDM	24/DC	056878
						24/UC	021352
						220-230/UC	022140
					PTFE/FKM	12/DC	042215
						24/DC	056535
						24/UC	047399
						220-230/UC	056630

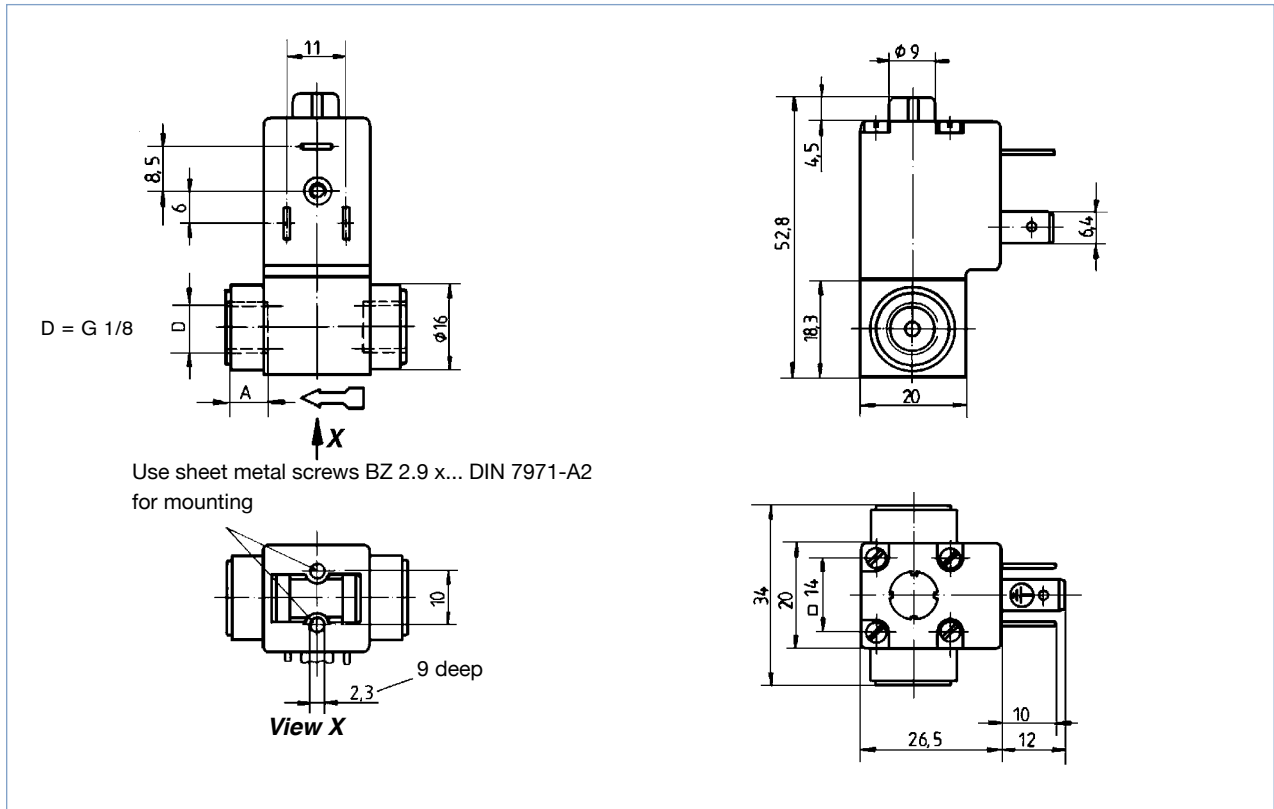
■ NPT version on request

Ordering chart Accessory (Cable plug acc. to DIN EN 175301-803 Form B (previously DIN 43650))

	Circuit	Voltage / frequency	Item no.
	none (standard)	0 - 250 V AC/DC	423845 
	with LED	24 V UC	423849 
	further versions	see datasheet type 2507	

The delivery of a cable plug includes the flat seal and the fixing screw. For other cable plug versions acc. to DIN EN 175301-803 Form B (previously DIN 43650), see data-sheet Type 2507.

Dimensions [mm]



DTS 1000010903 EN Version: E Status: RL (released | freigegeben | valide) printed: 12.12.2017

To find your nearest Bürkert facility, click on the orange box → www.burkert.com

In case of special application conditions, please consult for advice.

Subject to alterations
© Christian Bürkert GmbH & Co. KG

1712/2_EU-en_00891600