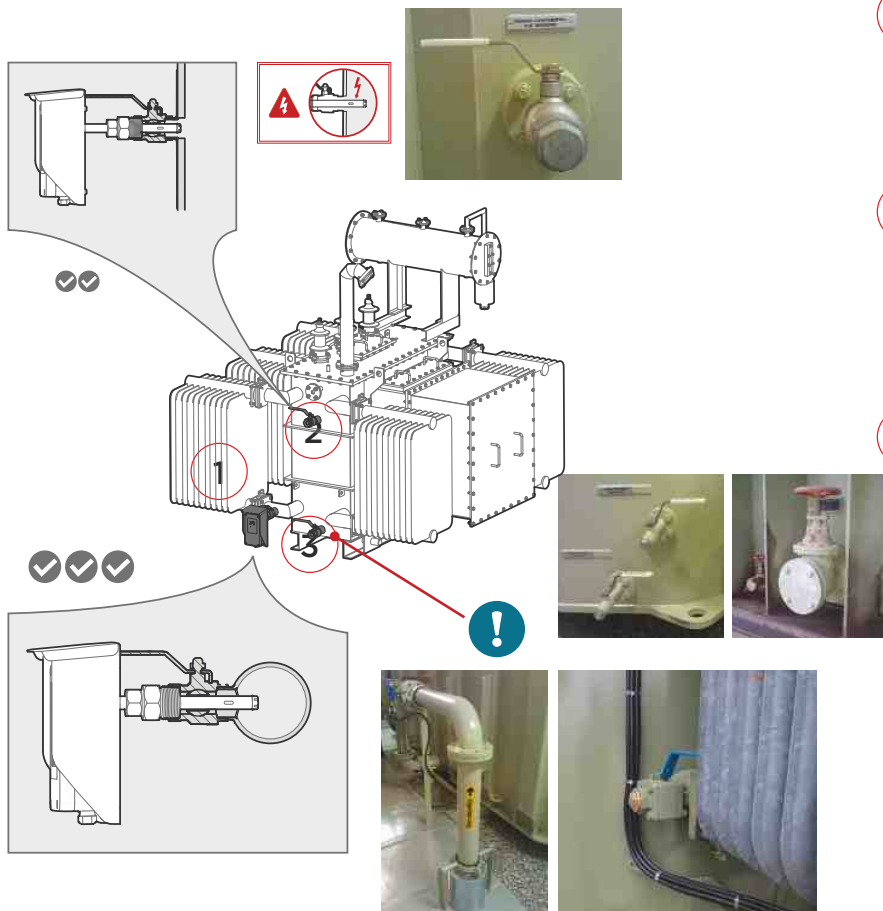


A Check List for the MHT410 Installation

The MHT410 Installation Locations



1 RADIATOR PIPE (RECOMMENDED):

- Circulating oil – fast response
- Temperature is not a problem
- Access to transmitter is optimal
- Low risk of high potential voltages

2 INSTRUMENTATION VALVE:

- Normally a good location
- Check the pipe is not too long
- Check there are no high voltage parts touching the MHT410 probe head

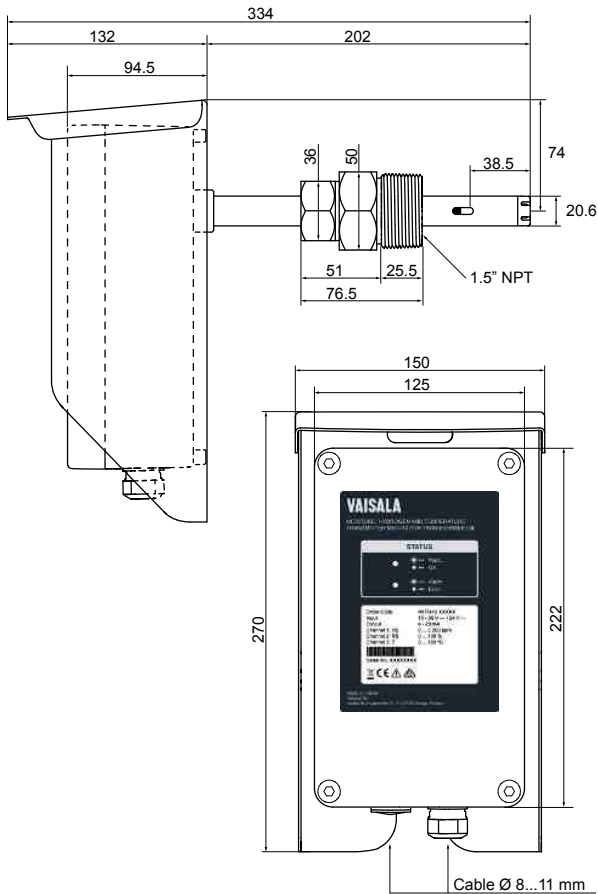
3 DRAINING VALVE/BOTTOM VALVES:

- Still oil might not represent the true situation
- Use only if no other locations available

The MHT410 is very easy to install. Before the installation you need to check the following steps:

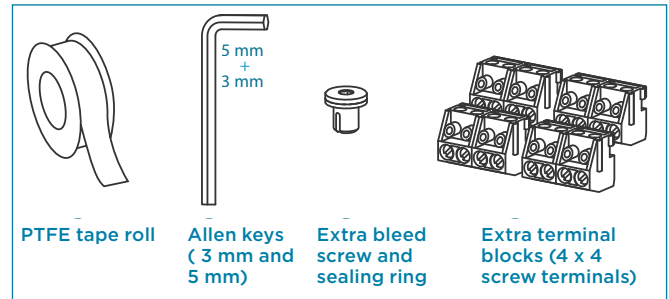
- Choose the installation location, please see the above drawing
 - You need a female NPT 1½" connector for the MHT410 (MHT410 has a 1½" NPT Male thread)
 - If you need to install a new valve for the MHT410, you can weld a ball valve, Vaisala accessory code BALLVALVE-3SET
 - Check the MHT410 space requirements and accessibility (including optional accessories like external power supply and display). MHT410 works only with mineral oil filled transformers.
 - Plan and choose electrical requirements and connection options in advance. Note local safety regulations.
 - Interface: Digital RS485 Modbus or analog 4... 20 mA outputs
- Note also wiring distances (needed cables between MHT410, powering and signaling)
- Selection of analog outputs wiring: Isolated or non-isolated, please check wiring options in the [MHT410 web pages -> Quick Guide -> Wiring Options](#)
 - Powering of the MHT410 (required power supply 15 ... 30 VDC / 24 VAC)

Dimensions (in mm):

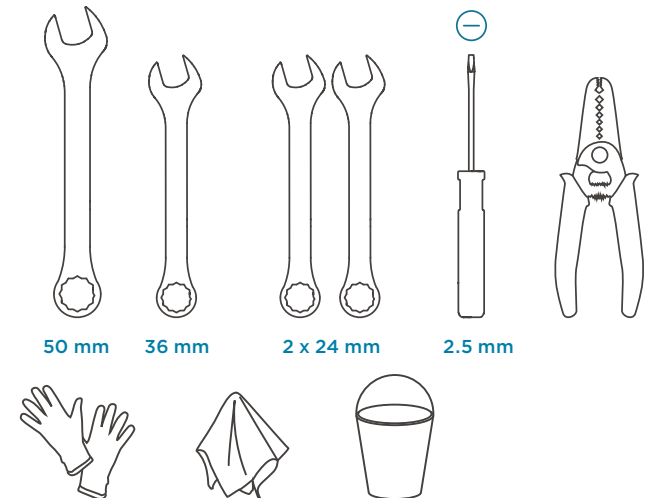


Items needed during installation

Included in the MHT410 delivery:



You also need the tools below (not included):



Spare Parts and Accessories

Part number	Description
219690	USB cable for PC connection
242422	External DIN rail power 100 ... 240 VAC to 24 VDC
CBL210392-5MSP	5 meter shielded PUR cable
CBL210392-10MSP	10 meter shielded PUR cable
21478SP	Cable gland
236620SP	Detachable screw terminal block
242003	Loop-powered external display, Nokeval 302 (with alarm relays) x 2
219980	MI70 connection cable
214780SP	Conduit fitting
BALLVALVE-3SET	1.5" NPT ball valve with welding fitting

Optional Accessories

- If you need to convert power from 85 ... 264 VAC / 95 ... 250 VDC, you can order an external DIN-rail power Vaisala accessory code 242422.
- You can also order the MHT410 with a factory installed 5-m cable.
- 10 m cable is also available, Vaisala order code CBL210392-10M. For longer cables, we recommend to choose similar shielded instrumentation cable having outer diameter 8...11 mm. CBL210392-5M can be used as a reference.
- For an additional cable (separate wirings for an additional display or signals), please order extra cables and a cable gland, Vaisala code 214728SP.

Always check the detailed installation instructions in the MHT410 User's Guide.

VAISALA

Please contact us at
www.vaisala.com/requestinfo



Scan the code for more information

Ref. B211541EN-B ©Vaisala 2016

This material is subject to copyright protection, with all copyrights retained by Vaisala and its individual partners. All rights reserved. Any logos and/or product names are trademarks of Vaisala or its individual partners. The reproduction, transfer, distribution or storage of information contained in this brochure in any form without the prior written consent of Vaisala is strictly prohibited. All specifications — technical included — are subject to change without notice.

www.vaisala.com