

AREAMASTER™ GENERATION 2 LED ZONE 1 LUMINAIRE

FEATURES

- Three lumen outputs provide up to 18,500 lumens. Equivalent from 175W to 750W HID luminaires.
- Choice of optics for optimal light distribution in a variety of applications.
- Compact size and low weight through use of encapsulation for Zone 1 protection – eliminates the need for a flameproof housing.
- Separate field wiring compartment with screw terminal block for easy and secure connection (can accept UL/CSA 26-10AWG, 4 to 6 mm²).
- Two 3/4" NPT entries provided. Metric M20 adapters available.
- Yoke bracket is designed to accommodate traditional Areamaster™ brackets and slipfitters for easy retrofit.
- Choice of color temperature (CCT): 5000K cool white, 4000K neutral white, or 3000K warm white.
- Rugged and compact housing with superior thermal design translates to long luminaire life.
- Heavy duty, high-temperature silicone rubber gaskets.
- Thermal shock and impact resistant clear or frosted glass lens.
- Standard 6KV surge protection.
- Captive fasteners secure one-piece lens and wiring compartment cover.
- Field replaceable LED driver and lens cover.

SUITABLE LOCATIONS

- ATEX/IECEx: Zone 1, 2, 21, 22
- Enclosed and gasketed fixtures suitable for use in a wide range of industrial, chemical processing and other areas where flammable gases and vapors are present, for example:
 - Oil and Gas Refineries
 - Petrochemical Plants
 - Foundries
 - Drilling Rigs
 - Pulp and Paper Mills
 - Food and Beverage Processing Facilities
 - Loading Docks
 - Power Plants
 - Water and Wastewater Treatment Facilities
 - Other areas where corrosive, wet, dirty and tough environments are a problem
- IP64, 64, 67, marine and wet locations
- Locations requiring dependable, consistent lighting in extreme hot/cold temperature environments.
 - -40 °C to +65 °C (-40 °F to +149 °F) ambient temperature range

STANDARD FINISHES

- Housing and lens door: copperfree (4/10 of 1% max.) aluminum
- Gaskets: heavy-duty silicone rubber
- Yoke: zinc plated HR steel
- Bolts: stainless steel
- Close-up plugs: (1) aluminum provided
- Guard and safety cable: stainless steel
- Visor: aluminum

STANDARD FINISHES

- Housing, lens cover and yoke mount: architectural bronze polyester powder coat

OPTIONS

- Improved safety cable design with multiple retention points, purchase separately
- Guard and visor available, purchase separately
- Slip-fitters and mounting brackets available for easy pole or wall mounting
- Metric M20 thread adapter

RELATED PRODUCTS

- Floodlight Mounting Brackets

ATEX/IECEx CERTIFICATIONS AND COMPLIANCES

- Certification Type: Areamaster Gen 2
 - Gas: Zone 1 and 2
 - Conforming to ATEX 2014/34/EU: Ex II 2G
 - Type of Protection: Ex eb mb op is IIC Gb
 - Temperature Class: T6 to T4
 - Dust: Zones 21 and 22
 - Conforming to ATEX 2014/34/EU: Ex II 2D
 - Type of Protection: Ex op is tb IIIC Db
 - Surface Temperature: +85°C to +100°C (-185°F to +212°F)
- Ambient Temperature: -40 °C to +65 °C (-40 °F to +149 °F)
- ATEX Certificate: ITS18ATEX303521
- IECEx Certificate: IECEx ITS 18.0031
- Index of Protection according to EN/IEC 60529: IP64, 66, 67
- Impact Resistance (shock): IK08
- Photobiological Safety, IEC 62778 and IEC 62471: RG0 with frosted glass, RG1 with clear glass

APPLETON™

For product information:
www.appletonelec.com
1.800.621.1506


EMERSON™

CONSIDER IT SOLVED™



PRODUCT ORDERING GUIDE

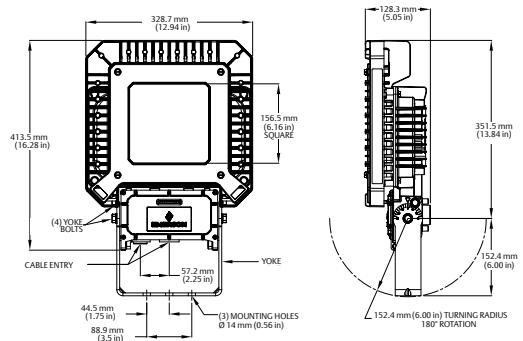
AMLZ	L7	C	G	6	BU	M
Series: AMLZ: Areamaster Generation 2 LED Zone 1	Lumen Level ①: L6 – 9K L7 – 14K L8 – 18.5K	Color Temp CCT: C - 5000K (Cool White) N – 4000K (Neutral) W - 3000K (Warm White)	Diffusion: G - Clear Glass F - Frosted Glass ②	Beam Spread: 6 - 7x7 7 - 7x6	Voltage: BU - 120-277 Vac 50/60 Hz, 170-300 Vdc	Options: M - M20 Metric

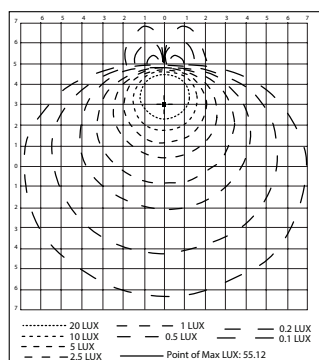
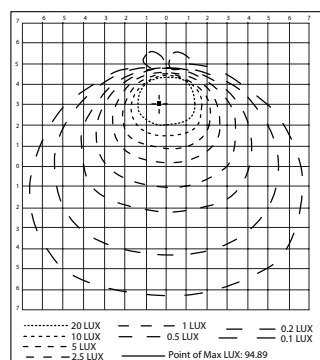
① All lumen values are typical (tolerance +/-10%).
② Frosted Glass is only available with NEMA 7x7 light pattern.

	AMLGL6	AMLGL7	AMLGL8
Equivalent to HPS/PSMH	175-250 Watt	250-400 Watt	400-750 Watt
Voltage Range	120-277 Vac, 170-300 VDC, 50/60 Hz		
Input Power	65 Watts	105 Watts	144 Watts
Luminous Flux (5000K Clear) ①	9,000	14,000	18,500
Efficacy	138 lm/w	133 lm/w	129 lm/w
Correlated Color Temperature	5000K 4000K 3000K		
Color Rendering Index	70 80		
Ambient Temperature	-40°C to +65°C (-40°F to +149°F)		
T Rating ATEX/IECEx Zone 1	T5 at +65°C (+149°F)	T4 at +65°C (+149°F)	T4 at +65°C (+149°F)
Luminaire Weight	10.5kg (23lb)		
Standard Materials	Housing: copperfree (4/10 of 1% max.) aluminum		
	Finish: architectural bronze polyester powder coat		
	Lens: thermal shock and impact-resistant glass (clear or frosted)		
LED Lifetime (L70B10)	>100,000 hours at +40°C (+104°F) ambient temperature		
Warranty	>60,000 hours at +65°C (+149°F) ambient temperature		
Warranty	5 years standard		

① All values typical +/-10%.

Luminaire Category	Image	Effective Projected Area (EPA) = FPA * DC m ² (ft ²)
90° to Ground-Worst Case Mounting		0.6 (1.82)
45° to Ground-Standard Mounting		0.4 (1.28)



Photometric Data	
<p>7x7, Frosted Glass</p> 	<p>7x6, Clear Glass</p> 

United States: 1.800.621.1506 | Asia/Pacific: + 65.6556.1100 | Australia: + 61.3.9721.0348
 Canada: + 1.888.765.2226 | China: + 86.21.3338.7000 | Europe: + 33.3.22.54.13.90
 Mexico/Latin America: + 52.55.5809.5049 | Middle East/Africa/India: + 971.4.811.8100
www.appletonelec.com

