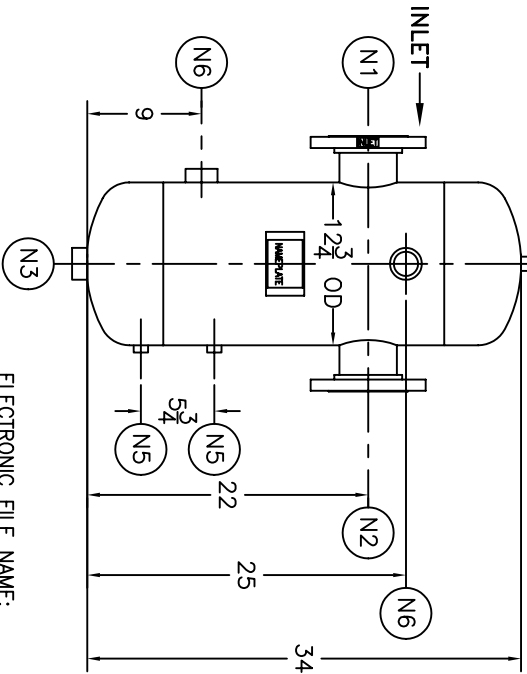
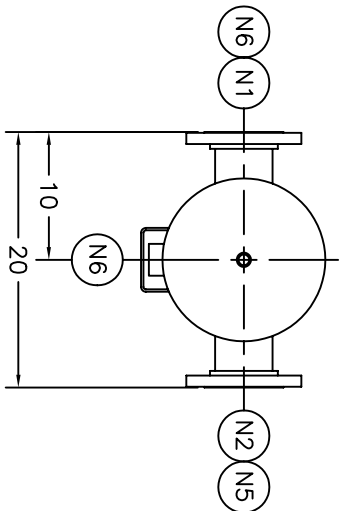


NOZZLE SCHEDULE		ITEM	QTY.	NAME	DESCRIPTION
N1	1	INLET	4" - 300#	RFSO, B16.5 W/ XH PIPE	
N2	1	OUTLET	4" - 300#	RFSO, B16.5 W/ XH PIPE	
N3	1	DRAIN	1-1/2" - NPT	3000# COUPLING	
N4	1	VENT	1/2" - NPT	3000# COUPLING	
N5	2	W.G. CONNS.	1/2" - NPT	3000# COUPLING	
N6	2	INSPECTION	1-1/2" - NPT	3000# COUPLING W/ PLUG	



NOTES:

1. UNITS ARE TO BE DESIGNED, FABRICATED AND "U" OR "UM" STAMPED (IF REQ'D) IN ACCORDANCE WITH ASME B & PV CODE, SECTION VIII, DIVISION 1 IN COMPLIANCE TO CURRENT PUBLISHED ADDENDA.
2. ALL DIMENSIONS ARE IN INCHES.
3. ALL BOLT HOLES ARE TO STRADDLE NATURAL CENTERLINES.
4. SHIPPING WEIGHT: 250 POUNDS
5. DESIGN DATA:
 DESIGN PRESSURE- 500 PSIG
 DESIGN TEMPERATURE- 650°F
 MIN. DESIGN METAL TEMP.- -20°F AT 500 PSIG
 HYDROTEST PRESSURE- 650 PSIG
 CORROSION ALLOWANCE- 0 INCHES
6. MATERIAL: CARBON STEEL

STANDARD

CUSTOMER:
 REG. NO.:
 P.O. NO.:
 TAG NO.:
 PART NO.: 4T500C ;4T500CU, & 4T500CM

ELECTRONIC FILE NAME:
 SD4T500C.DWG
 TOLERANCES UNLESS OTHERWISE SPECIFIED
 PER ENGINEERING STANDARD ES- - -

UNAUTHORIZED USE, MANUFACTURE OR
 REPRODUCTION IN WHOLE OR IN PART IS
 PROHIBITED. DRAWING, DESIGN AND
 OTHER DISCLOSURES PROPERTY OF
 EATON FILTRATION, LLC

REV	DATE	CHANGE	ECR	BY	APP
A	4/7/05	NEW RELEASE	D084	FM	LH
B	11/1/05	REVISED TITLE BLOCK	D507	FM	LH

		EATON FILTRATION, LLC 900 FAIRMOUNT AVENUE, ELIZABETH, NEW JERSEY 07207					
		NAME 4" TYPE "T" GAS/LIQUID SEPARATOR, 300# FLG. CS					
DRAWN	FM	DATE	4/7/05	CHECKED	ABN	DATE	4/7/05
APP	LH	DATE	4/7/05	SCALE	NTS	ECR	D084
SIZE	A	DWG NO	SD4T500C		REV	B	