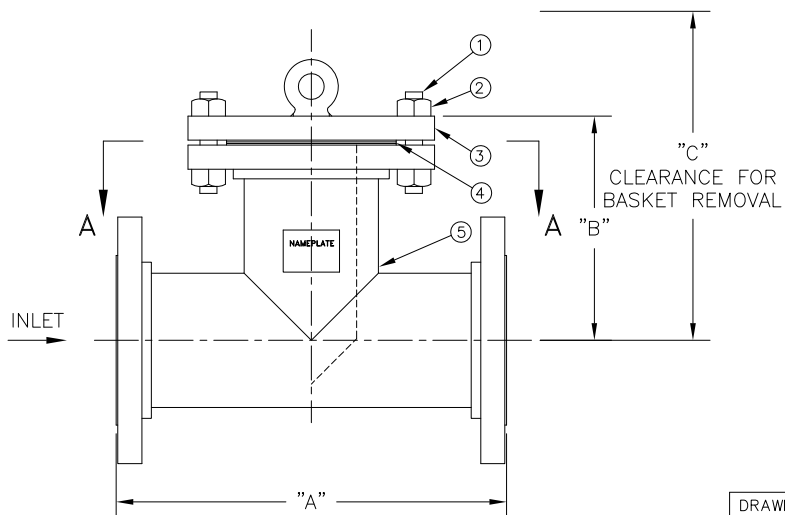
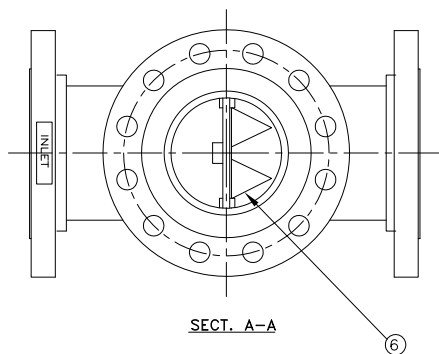


PIPE SIZE (NOMINAL)	DIMENSIONS			APPROX. WEIGHT (DRY)		PART NO.		
	"A"		"B"	"C"				
	IN.	(MM)	IN.	(MM)	IN.		(MM)	
6 (150mm)	18.38	/ 467	10.25	/ 260	25.00	/ 635	145 / 65.8	ST091060BR2BA
8 (200mm)	22.12	/ 562	12.25	/ 311	30.00	/ 762	235 / 106.6	ST091080BR2BA
12 (300mm)	29.12	/ 740	15.88	/ 403	37.00	/ 940	505 / 229.1	ST091120BR2BA
14 (350mm)	32.00	/ 813	17.50	/ 445	42.00	/ 1067	660 / 299.4	ST091140BR2BA
16 (400mm)	34.00	/ 864	18.56	/ 471	45.00	/ 1143	820 / 371.9	ST091160BR2BA
18 (450mm)	38.00	/ 965	20.75	/ 527	50.00	/ 1270	1015 / 460.4	ST091180BR2BA
20 (500mm)	41.38	/ 1051	22.50	/ 572	55.00	/ 1397	1235 / 560.2	ST091200BR2BA
24 (600mm)	46.00	/ 1168	25.00	/ 635	62.00	/ 1575	1875 / 850.5	ST091240BR2BA

REVISIONS				
REV	DESCRIPTION	BY	ECO	DATE
E	UPDATE TITLE BLOCK & REMOVED NOTE 5	FM	0104921	11/24/2014



NO.	PART NAME	MATERIAL
1	STUDS	ASTM A193 GR. B7
2	NUTS	ASTM A194 GR. 2H
3	COVER	STAINLESS STEEL
4	GASKET	NON-ASBESTOS
5	BODY	STAINLESS STEEL
6	BASKET	316 SSSL
	PERF. / MESH	

NOTES:

1. STRAINER IS DESIGNED AND FABRICATED IN ACCORDANCE WITH ASME B31.1 POWER PIPING CODE.
2. ALL DIMENSIONS ON IN INCHES / MM.
3. ALL FITTINGS CONFORM TO ASME STANDARD.
4. DESIGN PRESSURE: 150 PSIG @ 150°F
(10.3 BAR @ 65.6°C)

DRAWN BY FM		HYDRAULICS GROUP FILTRATION DIVISION <small>GALESBURG, MICHIGAN, USA • TINTON FALLS, NEW JERSEY, USA</small>			
SCALE AS DRAWN					
RESTRICTION RESTRICTED		TITLE MODEL 91 TEE STRAINER BOLTED COVER SIZES 6" TO 24" 150#RF FLANGE STAINLESS STEEL			
SHEET 1 OF 1		DATE 11/5/97	SIZE A	DWG FILENAME SD091BC8	REV E
PROJECTION THIRD ANGLE		<small>EATON CORPORATION - CONFIDENTIAL AND PROPRIETARY NOTICE TO PERSONS RECEIVING THIS DRAWING AND/OR TECHNICAL INFORMATION. THIS DOCUMENT, INCLUDING THE DRAWING AND INFORMATION CONTAINED THEREON IS CONFIDENTIAL AND IS THE EXCLUSIVE PROPERTY OF EATON AT ANY TIME. BY TAKING THE POSSESSION OF THIS DOCUMENT THE RECIPIENT ACKNOWLEDGES AND AGREES THAT THIS DOCUMENT CANNOT BE USED IN ANY MANNER ADVERSE TO THE INTEREST OF EATON AND THAT NO PORTION OF THIS DRAWING MAY BE COPIED OR OTHERWISE REPRODUCED WITHOUT THE PRIOR WRITTEN CONSENT OF EATON, IN THE CASE OF CONFLICTING CONTRACTUAL PROVISIONS, THIS NOTICE SHALL GOVERN THE STATUS OF THIS DOCUMENT. 2014 EATON CORPORATION - ALL RIGHTS RESERVED.</small>			

CUSTOMER INFO	
NAME	
P.O. NO.	
TAG NO.	
S.O. NO.	
PART NO.	SEE TABLE