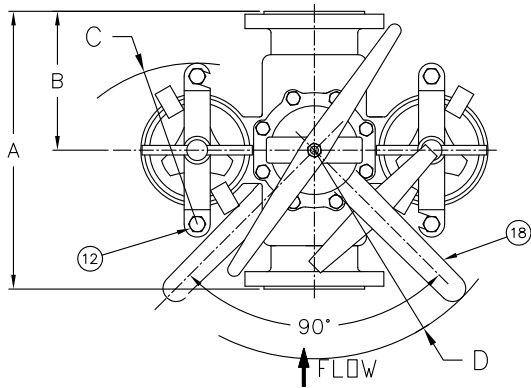
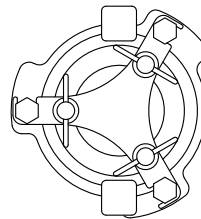
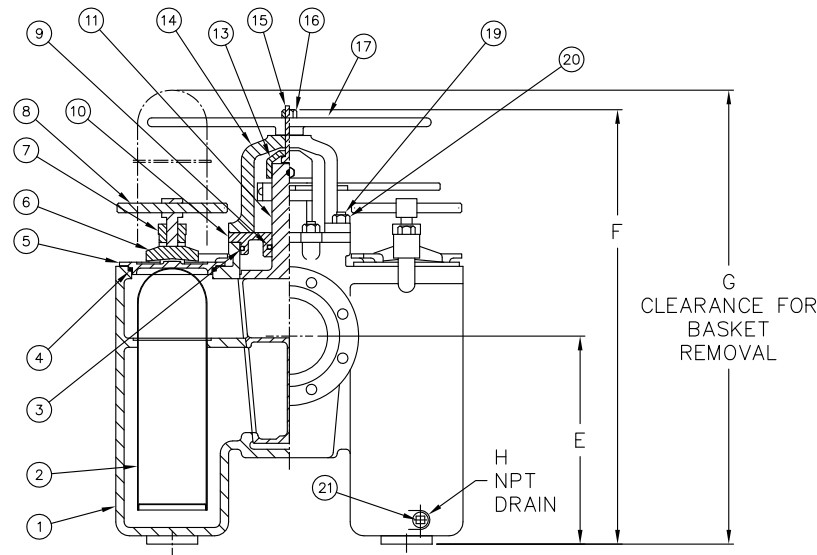


PIPE SIZE (NOMINAL)	DIMENSIONS												WEIGHT LBS. KGS.	PART NO.
	A IN. MM.	B IN. MM.	C IN. MM.	D IN. MM.	E IN. MM.	F IN. MM.	G IN. MM.	H (NOM.) IN. MM.	J IN. MM.	K IN. MM.	L IN. MM.			
6" (150mm)	22.00 / 559	12.88 / 327	11.75 / 298	19.75 / 502	18.50 / 470	35.00 / 889	42.00 / 1067	3/8 / 10	20.75 / 527	0.63 / 16	12.50 / 318	615 / 279	ST0500600R22C	
8" (200mm)	25.00 / 635	14.00 / 356	-- / --	28.00 / 711	22.44 / 570	50.00 / 1270	56.00 / 1422	1/2 / 15	30.75 / 781	0.88 / 22	17.00 / 432	1670 / 757	ST0500800R22C	

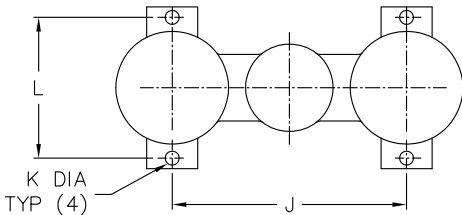


NOTES:

1. INLET/OUTLET FLANGE CONNECTIONS PER ASME B16.5.
2. SIZE 6" USE COVER CLAMP (ITEM 6).
3. MAX. WORKING PRESSURE: 6" SIZE.
200 PSI @ 100°F (13.8 BAR @ 37.8°C)
MAX. WORKING PRESSURE: 8" SIZE.
150 PSI @ 100°F (10.3 BAR @ 37.8°C)



8" COVER & YOKE DETAIL



21	DRAIN PLUG	STAINLESS STEEL
20	BONNET STUD NUT	CARBON STEEL
19	BONNET STUD	ALLOY STEEL
18	TURNING HANDLE	DUCTILE IRON
17	LIFTING HANDLE	DUCTILE IRON
16	JACKSCREW NUT	CARBON STEEL
15	JACKSCREW	STEEL
14	JACK BONNET	DUCTILE IRON
13	JACK COLLAR	DUCTILE IRON
12	YOKE STUD	STEEL
11	DIVERTER PLUG	SSTL ASTM A351 GR. CF8M
10	BONNET	SSTL ASTM A351 GR. CF8M
9	O-RING	VITON
8	YOKE SCREW AND PIN ASSY	CARBON STEEL
7	YOKE	DUCTILE IRON
6	COVER CLAMP	DUCTILE IRON
5	COVER	SSTL ASTM A351 GR. CF8M
4	O-RING	VITON
3	O-RING (SIZE - 6") GASKET (SIZE - 8")	VITON NON-ASBESTOS
2	BASKET PERF. DIA. MESH	
1	BODY	SSTL ASTM A351 GR. CF8M
ITEM	PART NUMBER	MATERIAL

PART LIST FOR:

DRAWN BY FM SCALE AS DRAWN RESTRICTION RESTRICTED SHEET 1 OF 1 PROJECTION THIRD ANGLE	HYDRAULICS GROUP FILTRATION DIVISION GALESBURG, MICHIGAN, USA • TINTON FALLS, NEW JERSEY, USA TITLE MODEL 50 DUPLEX STRAINER 150# RAISED FACE FLANGE SIZES 6" & 8" STAINLESS STEEL DATE 1/31/94 SIZE A DWG FILENAME SD051094 REV G
--	---

G	UPDATED TITLE BLOCK	S. PATIL	0112361	7/22/2015
-	NEW RELEASE	FM	D507	11/1/2005
REV	DESCRIPTION	BY	ECO	DATE
REVISIONS				

CUSTOMER INFO	
NAME	
P.O. NO.	
TAG NO.	
S.O. NO.	
PART NO.	

EATON CORPORATION - CONFIDENTIAL AND PROPRIETARY NOTICE TO PERSONS RECEIVING THIS DRAWING AND/OR TECHNICAL INFORMATION
THIS DOCUMENT, INCLUDING THE DRAWING AND INFORMATION CONTAINED THEREON IS CONFIDENTIAL AND IS THE EXCLUSIVE PROPERTY OF EATON AT ANY TIME. BY TAKING THE
POSSESSION OF THIS DOCUMENT THE RECIPIENT ACKNOWLEDGES AND AGREES THAT THIS DOCUMENT CANNOT BE USED IN ANY MANNER ADVERSE TO THE INTEREST OF EATON AND
THAT NO PORTION OF THIS DRAWING MAY BE COPIED OR OTHERWISE REPRODUCED WITHOUT THE PRIOR WRITTEN CONSENT OF EATON. IN THE CASE OF CONFLICTING CONTRACTUAL
PROVISIONS, THIS NOTICE SHALL GOVERN THE STATUS OF THIS DOCUMENT.
2015 EATON CORPORATION - ALL RIGHTS RESERVED.