

MOUNTING LUG WITH LEADWIRE

How to build a part number:

To order an Applied Sensor Technologies temperature sensor, select the requirements for the categories listed below and fill in the corresponding boxes with your selection. Don't see exactly what you need? Give us a call!

SENSOR TYPE	ASSEMBLY STYLE	LUG HOLE SIZE	CALIBRATION	HOT JUNCTION	SHEATH LENGTH	LEADWIRE LENGTH	OPTIONS

SENSOR TYPE

GP – General purpose thermocouple

ASSEMBLY STYLE

41F – Stainless steel mounting lug with fiberglass leadwire; diameter 0.312" only; 500°F max.

41T – Stainless steel mounting lug with Teflon® leadwire; diameter 0.312" only; 400°F max.

LUG HOLE SIZE - diameter of hole (in inches)

6 – 3/16 (0.188)

7 – 1/4 (0.250)

9 – 3/8 (0.375)

CALIBRATION - Standard limits

J – Single J

JJ – Dual J

K – Single K

KK – Dual K

T – Single T

TT – Dual T

E – Single E

EE – Dual E

HOT JUNCTION

G – Grounded junction

U – Ungrounded junction

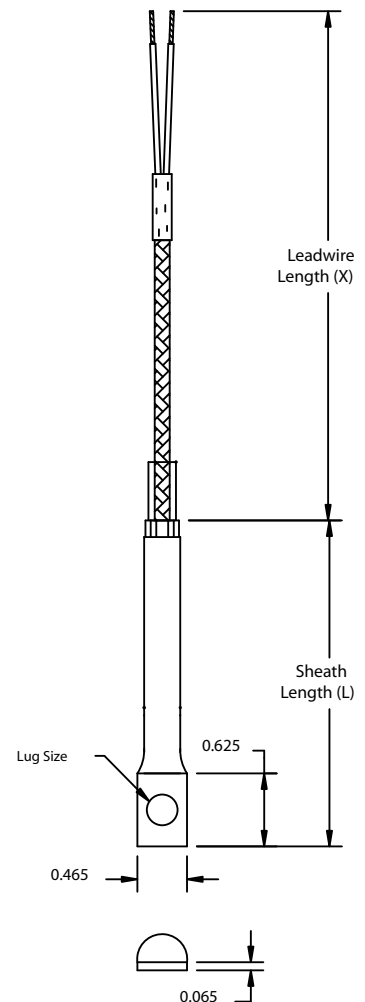
SHEATH LENGTH (Minimum L=1.75"; maximum L=96")

L# - (e.g., L6 = 6 inch sheath)

LEADWIRE LENGTH

X# - (e.g., X72 = 72 inch length)

OPTIONS – see page 1-19b



STYLES 41F & 41T

AVAILABLE OPTIONS and MODIFICATIONS

ASSEMBLY OPTIONS	
Option Code	Description
TAG1	Stainless steel tag and wire
CAL1	NIST traceable calibration [specify point(s)]
CRT1	Certificate of conformance

WIRING CONNECTION OPTIONS	
Option Code	Description
WC76	#6 spade terminals, plated copper
WC70	#10 spade terminals, plated copper
WC84	1/4" push-on insulated terminals, plated copper
WC90	#10 ring terminals
WC98	#8 ring terminals
PLUGS AND JACKS (Note: plug is designed to be attached to sensor assemblies. Jack options – for customer wiring – should only be specified if plug option is also included. Cable clamp is included for both plug and jack options.)	
PJ10	Standard plug, rated to 177°C (350°F)
PJ20	Standard jack, rated to 177°C (350°F)
PJ30	Miniature plug, rated to 177°C (350°F)
PJ40	Miniature jack, rated to 177°C (350°F)
PJ50	High temp. standard plug, rated to 260°C (500°F)
PJ60	High temp. standard jack, rated to 260°C (500°F)

EXTENSION WIRE

A selection of extension-grade thermocouple wire is available to connect the sensor to its input device. Consult Accessories section.