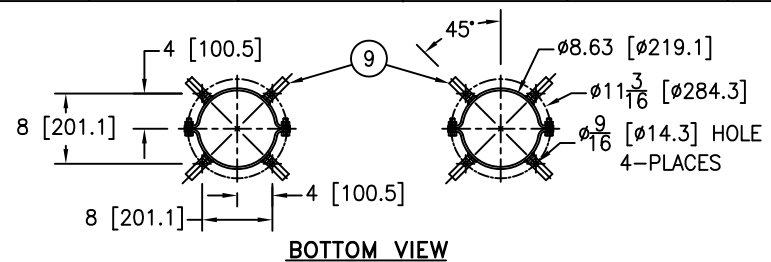
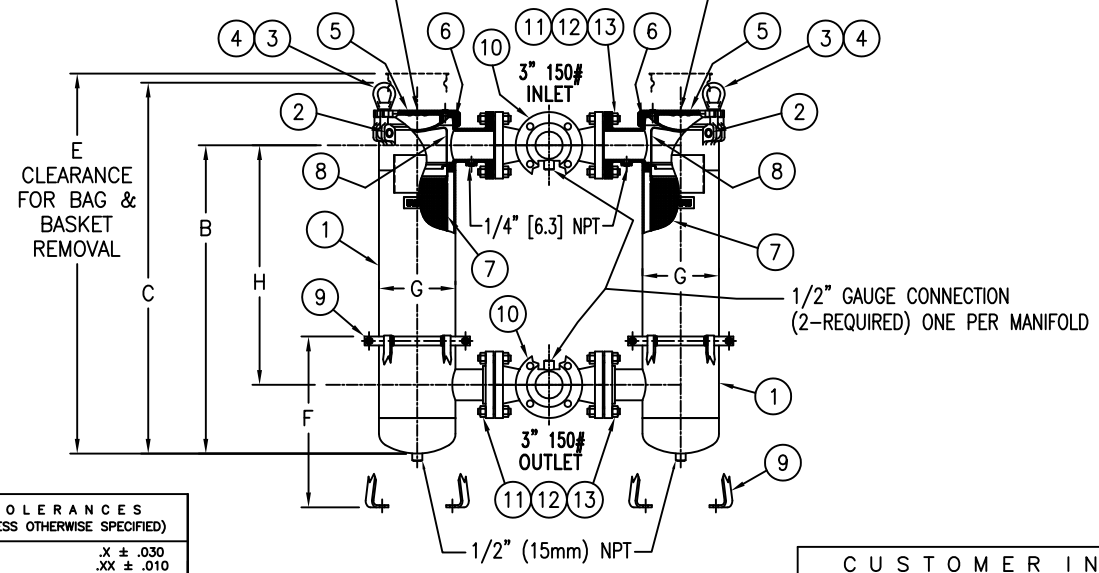
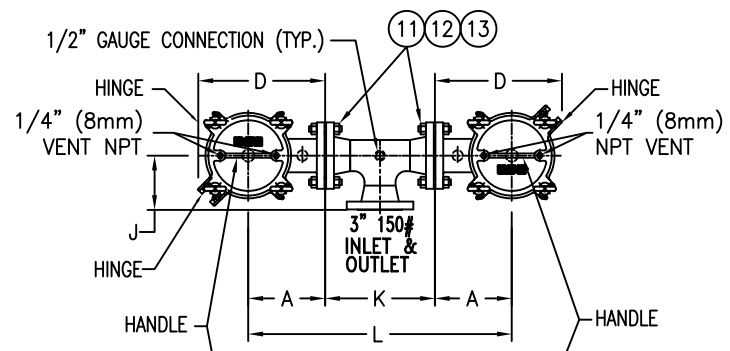


| ITEM NUMBER | BAG SIZE | A IN. / MM | B IN. / MM | C IN. / MM | D IN. / MM | E IN. / MM | F IN. / MM | G IN. / MM | H IN. / MM | J IN. / MM | K IN. / MM | L IN. / MM | WEIGHT LBS / KGS |
|-------------|----------|---------------|----------------|-----------------|----------------|-------------|--------------|-------------|------------|---------------|----------------|----------------|------------------|
| F3AVSB1028 | 02 | 8-11/16 / 127 | 34-3/4 / 882.6 | 41-13/16 / 1602 | 14-3/8 / 365.1 | 69 / 1752.6 | 19-1/4 / 489 | 8-5/8 / 219 | 27 / 685.8 | 6-1/8 / 155.5 | 12-3/8 / 314.3 | 29-3/4 / 755.6 | 240 / 109 |



BOTTOM VIEW



| REVISIONS | | | | |
|-----------|-----------------|-----|---------|----------|
| REV | DESCRIPTION | BY | ECO | DATE |
| D | UPDATED DRAWING | FJM | 0087038 | 07/08/13 |

| NO. | PART NAME | MATERIAL |
|-----|-----------------------------------|---|
| 1 | BODY | SA-351 CF8M SA-312 TP 316 SA-403 TP 316 |
| 2 | PIN | SA-193 GR B7, ZINC PL |
| 3 | EYE BOLT | SA-193 GR B7, ZINC PL |
| 4 | EYE NUT | SA-194 GR 2H, ZINC PL |
| 5 | COVER | SA-351 CF8M |
| 6 | O-RING P/N L0000024 | BUNA-N |
| 7 | RESTRAINER BASKET P/N L0001753 | 316 STAINLESS STEEL |
| 8 | BAG HOLD DOWN | 316 STAINLESS STEEL |
| 9 | ADJUSTABLE LEGS | CSTL EPOXY COATED |
| 10 | INLET/OUTLET MANIFOLDS | 316 STAINLESS STEEL |
| 11 | STUDS | SA-193 GR B7, ZINC PL |
| 12 | NUTS | SA-194 GR 2H, ZINC PL |
| 13 | MANIFOLD GASKETS | BLUEGARD 3000 |

NOTES:

- UNITS ARE TO BE DESIGNED, FABRICATED & "UM" STAMPED IN ACCORDANCE WITH ASME SECT. VIII, DIV. 1 BOILER & PRESSURE VESSEL CODE, IN COMPLIANCE TO LATEST ADDENDA.
- INLET/OUTLET FLANGED CONNECTIONS PER ANSI B16.5.
- MAWP: 150 PSI @ 250° F (10.3 BAR @ 121.1° C)
MDMT: -20° F @ 150 PSI (-28.9° C @ 10.3 BAR)
- DIMENSIONS SHOWN IN [] ARE IN MILLIMETERS AND FOR REFERENCE ONLY. ACCEPTANCE OF THIS PART WILL BE BASED ON "INCH" UNITS & TOLERANCES ONLY.

| TOLERANCES (UNLESS OTHERWISE SPECIFIED) | |
|---|--|
| DECIMAL: | .X ± .030 .XX ± .010 .XXX ± .005 |
| FRACTIONAL: | ± 1/16 |
| NOZZLE Ø TO FLOOR: | 1/4" < 4' > 1/2" |
| FACE TO FACE: | 1/4" < 4' > 1/2" |
| ANGULAR: | ± 1' |
| FLANGES (H/V): | ± 1/2" |
| VESSEL OVERALL HT: | 1" |

REVIEWED FOR CLASSIFICATION PER PR-4
 CRITICAL SIGNIFICANT

| CUSTOMER INFO | |
|---------------|------------|
| NAME | |
| P.O. NO. | |
| S.O. NO. | |
| QUANTITY | |
| PART NO. | F3AVSB1028 |

| | |
|-------------|-------------|
| DRAWN BY | FJM |
| SCALE | AS DRAWN |
| RESTRICTION | RESTRICTION |
| SHEET | 1 OF 1 |
| PROJECTION | THIRD ANGLE |

| | | | |
|--|------|--|-----|
| VESSEL CODE: DSBF-0102-AB10-030A | | | |
| | | EATON FILTRATION, LLC DESIGN CENTER TINTON FALLS, NEW JERSEY, USA PORTAGE, MICHIGAN, USA | |
| TITLE: SIDELINE (DSBF) DUPLEX BAG FILTER 3" 150# RF FLANGED CONNECTIONS STAINLESS STEEL W/MANIFOLDS & BUNA O-RINGS | | | |
| DATE | SIZE | DWG FILENAME | REV |
| 11/13/02 | A | DSBF3-XS | D |

EATON CORPORATION - CONFIDENTIAL AND PROPRIETARY NOTICE TO PERSONS RECEIVING THIS DRAWING AND/OR TECHNICAL INFORMATION THIS DOCUMENT, INCLUDING THE DRAWING AND INFORMATION CONTAINED THEREON IS CONFIDENTIAL AND IS THE EXCLUSIVE PROPERTY OF EATON AT ANY TIME. BY TAKING THE POSSESSION OF THIS DOCUMENT THE RECIPIENT ACKNOWLEDGES AND AGREES THAT THIS DOCUMENT CANNOT BE USED IN ANY MANNER ADVERSE TO THE INTEREST OF EATON AND THAT NO PORTION OF THIS DRAWING MAY BE COPIED OR OTHERWISE REPRODUCED WITHOUT THE PRIOR WRITTEN CONSENT OF EATON. IN THE CASE OF CONFLICTION CONTRACTUAL PROVISIONS, THIS NOTICE SHALL GOVERN THE STATUS OF THIS DOCUMENT. 2013 EATON CORPORATION - ALL RIGHTS RESERVED.