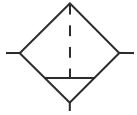
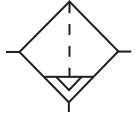


Filter – Miniature SF1

= "Most Popular"



Manual Drain



Auto Drain

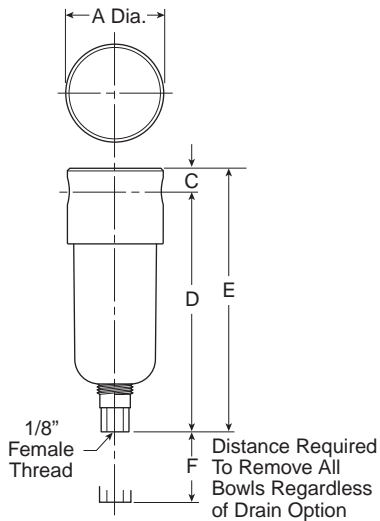


SF1-02-SYV0

Features

- Stainless Steel Construction Handles Most Corrosive Environments
- Fluorocarbon Seals Standard
- Meets NACE Specifications MR-01-75/ISO 15156
- 1/8" Female Threaded Drain
- High Flow: 1/4" - 23 SCFM[§]

[§]SCFM = Standard cubic feet per minute at 90 PSIG inlet and 5 PSIG pressure drop.



Specifications

Flow Capacity*	Port Size	5 Micron
	1/4	23 SCFM
Bowl Capacity		1.0 Ounce
Filter Rating		5 Micron
Port Threads		1/4 Inch

Pressure & Temperature Ratings –		
Metal Bowl –		0 to 300 PSIG (0 to 20.7 bar) 0°F to 180°F (-18°C to 82°C)
Auto Pulse Drain –		10 to 175 PSIG (0.7 to 12 bar) 32°F to 150°F (0°C to 66°C)

Note: Air must be dry enough to avoid ice formation at temperatures below 32°F (0°C).

Useful Retention**	0.4 Ounce
Weight	0.6 lb. (0.27 kg)

* Inlet pressure 90 PSIG (6.2 bar) and 5 PSID (0.3 bar) pressure drop.
** Useful Retention refers to volume below the quiet zone baffle.

Materials of Construction

Body	316 Stainless Steel
Bowl	316 Stainless Steel
Deflector	Acetal
Drain	316 Stainless Steel
Element Holder	Acetal
Filter Element	Polyethylene
Seals	Fluorocarbon



Stainless Steel Products

Dimensions

Models	Inches (mm)	A	C	D	E	F
Miniature Unit SF1-02-XXXX		1.57 (40)	0.31 (8)	3.69 (94)	4.00 (102)	1.58 (40)

= "Most Popular"

SF1 Filter Kits & Accessories

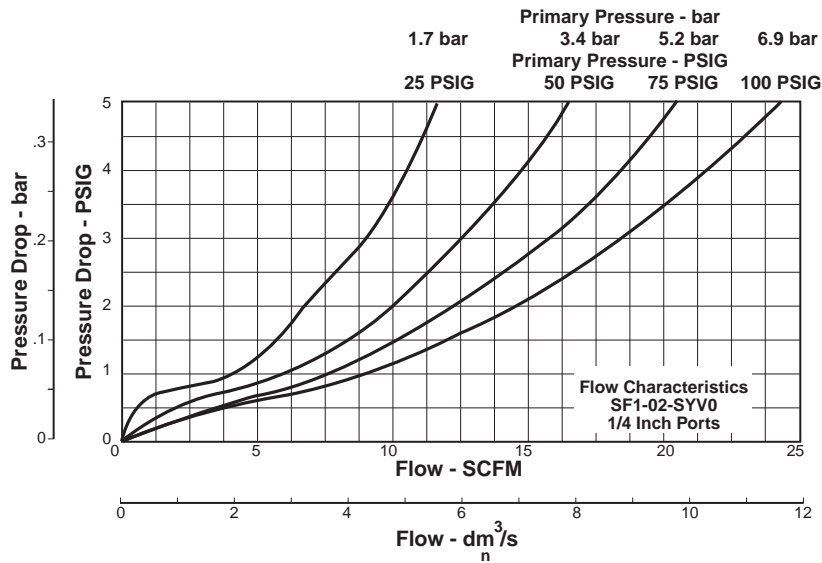
Filter Element Kits –

- Particulate (5 Micron) SRP-96-001
- Particulate (20 Micron) SRP-96-002

Manual Drain –

- Small (Old) SRP-96-008
- Large (New) SAP05481

Pipe Nipple – 1/4" 316 Stainless Steel SRP-96-009



Stainless Steel Products

Ordering Information

Model Type	Port Size	Model Number
Manual Drain	1/4	SF1-02-SYV0

Options - To order an option supplied with the unit model, add the appropriate coded suffix letter in the designated position of the model number.