

# EGC Static Ground Indicators

Indicates safe static ground in hazardous locations.

**CEC:**  
Class I Division 1 and 2, Groups C, D  
Class II Division 1, Groups E, F, G  
Class II Division 2, Groups F, G  
Class III

**CEC:**  
CSA Enclosure Type 3R  
Exia

## Applications

- Static grounding indicator is connected to tanker trucks, providing a positive ground prior to the dispensing of flammable materials.
- A positive ground safeguards trucks, railcars and loading racks from the accumulation of static charge during transfer operations.
- For use in tank vehicle transfer stations classified by CEC as Class I Division 1, Groups C, D; Class II, Division 1, Groups E, F, G; Class II, Groups F, G and Class III.

## Features

- Two wire positive ground indicator system renders the pumping system inoperable without a positive ground.
- Intrinsically safe ground detecting circuitry.
- Supplied standard with two LED indicator lights. Red indicates unit is on but without a positive ground. Green indicates positive ground.
- Supplied with a 7.6 meter (25 foot) cord and heavy duty self release clamp.
- Release of the ground clamp opens the contacts, stops the product flow and is indicated by the red LED pilot light.
- Circuitry will control a pump, valve or indicating device such as light or audible warning device.
- Provided with internal ground lug.
- If any electrical connections fail (either in the enclosure or at the ground rod) the red indicator light will be on and the unit will not operate and switch to green; until the problem is solved.
- An optional retractable reel is available to raise and lower static ground cable. Allows cable and clamp to hang free when not in use. The clamp should not be in contact with ground when not in use. The retractable reel is supplied with 7.6 meter (25 foot) of nylon covered steel cable and cable securing clamp.

## Electrical Characteristics

- Line Voltage: 120 Vac. Control transformers for 240, 480 or 600 volt available. Contact your local representative.
- Control relay rating interlocking contact: 15 Amp at 277 Vac, 10 Amp at 600 Vac.
- Temperature limitations: +100 °C to -25 °C (+212 °F to -13 °F).

## Standard Materials

- Enclosure, cover and clamp: copperfree (4/10 of 1%) aluminum
- Indicator lights: red and green LED
- All hardware (except clamp): stainless steel

## Standard Finish

- Gray baked epoxy

## Options

- 7.6 meter (25 foot) retractable reel.
- Breather and drain, add suffix **-BD**.
- Heater and thermostat, add suffix **-HTR**.

## CEC Certifications and Compliances

- CSA Standards: C22.2 No. 14M, C22.2 No. 25, C22.2 No. 30
- CSA Certified: 038339



# EGC Static Ground Indicators

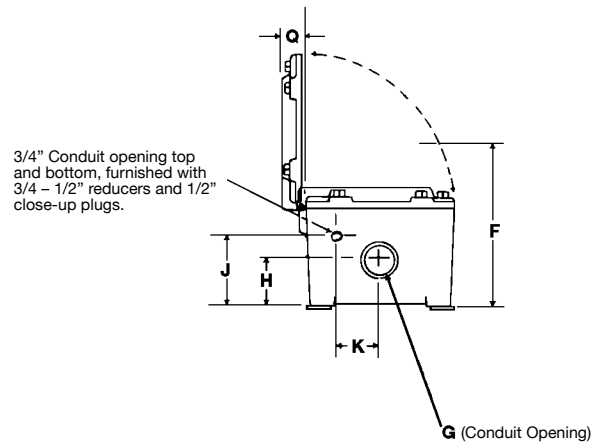
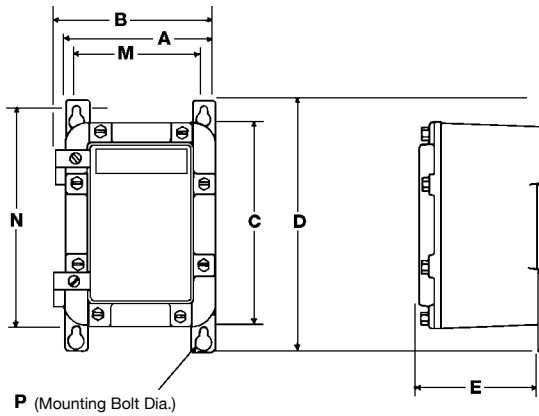
Indicates safe static ground in hazardous locations.

**CEC:**  
 Class I Division 1 and 2, Groups C, D  
 Class II Division 1, Groups E, F, G  
 Class II Division 2, Groups F, G  
 Class III

**CEC:**  
 CSA Enclosure Type 3R  
 Exia

| Description  | Catalog Number |
|--|----------------|
| Ground Indicator with 2 LED Indicator lights, Ground Clamp, 7.62 meters (25 feet) of cord, and ECC connector accessories | EGC210         |
| Optional 7.62 meter (25 foot) retractable reel   | SD11N25C       |
| Ground Clamp Replacement   | EGCK1P         |
| Ground Clamp, 7.62 meters (25 feet) of cord, and ECC Connector Replacement   | EGCKECC        |

## Dimensions in Millimeters (Inches)



| A      | B      | C       | D       | E      | F      | G      | H      | J      | K      | M      | N       | P      | Q      |
|--------|--------|---------|---------|--------|--------|--------|--------|--------|--------|--------|---------|--------|--------|
| 232    | 244    | 359     | 425     | 184    | 184    | 51     | 70     | 95     | 70     | 191    | 384     | 10     | 44     |
| (9.13) | (9.63) | (14.13) | (16.75) | (7.25) | (7.25) | (2.00) | (2.75) | (3.75) | (2.75) | (7.50) | (15.13) | (0.38) | (1.75) |

**APPLETON™**

CONTROLS: NEC/CEC HAZARDOUS INDICATORS AND GROUNDING DEVICES