

# DBR 30, 60, 100 and 150 Amp Series Receptacles

## Explosionproof, Dust-Ignitionproof

With Disconnect Switch or Circuit Breaker. Weatherproof Spring Cover. 600 Vac Max. 250 Vdc Max.

### NEC:

Class II, Division 1 and 2, Groups F, G

Class III

NEMA 3, 3R, 4<sup>+</sup>, 4X<sup>+</sup>, 9FG

### Applications

- Locations where receptacles are used with stationary or portable electrically operated devices such as:
  - Lighting systems
  - Conveyors
  - Heaters
  - Motor-generator sets
  - Air conditioners
  - Compressors
  - Pumps
  - Locations where damp or corrosive conditions exist
- Class II: classified locations such as:
  - Process industries where there are dust hazards from handling such products as flour, grain and starch or any location where ignitable amounts of dust are present or amounts which would adversely affect performance

### Features

- Energized receptacle contacts deeply recessed to reduce danger of accidental touching.
- Style 2 (shell and extra pole) grounding.
- Spring door keeps dust out of receptacle when plug is not in use. Screw cap also supplied.
- Brass contacts exert constant pressure along entire contact surface and provide superior electrical contact.
- Contacts have beryllium copper wire springs.
- Plug mechanical cable clamps prevent strain on cables— they meet or exceed UL strain relief pull-out requirements.
- Neoprene bushing compressed by cable collar prevents entrance of water.
- Insulators provide superior dielectric and mechanical strength and lowest arc tracking.
- 1-1/2 NPT tapped conduit openings; one top two bottom.
- Interlocked disconnect switch provides safe connect and disconnect operation at 30, 60 or 100 Amp, 600 Vac maximum. Two or three pole, non-fused motor circuit switch.
- Interlocked circuit breaker provides interlocked connect and disconnect operation as well as short circuit and thermal time delay overload protection. DBR permits safe operation in Class II and III only.
- To operate, insert plug (which automatically locks into receptacle) and turn Breaker Handle to "ON" position. To remove plug, turn Handle to "OFF" position, lift Plug Release Knob and pull plug out.
- ACP and CPH plug fits Powertite™ Series hazardous location and DBR receptacles.

### Standard Materials

- DBR receptacles: copperfree (4/10 of 1% max.) aluminum receptacle and mounting box
- CPH and ACP plugs: copperfree (4/10 of 1% max.) aluminum housings
- Insulating blocks: fiber glass reinforced polyester

### Standard Finishes

- Receptacles, mounting boxes, cord connector housings and caps: epoxy powder coat



### Options

- For Group B version add suffix **-GB** to receptacle (Group B version not suitable for NEMA 4, 4X).
- For GE <sup>+</sup> breaker, add **-GE** to receptacle. Contact your local representative for availability and price.
- Molded case switch available on the 150 Amp versions, add suffix **-K** to receptacle.
- Special Polarization: Prevents plug insertion in a receptacle or connector wired for a different voltage. In installations where there are different line voltages, the special polarization option is desirable. This allows only plugs and receptacles wired for the same line voltage to be mated together. The receptacle or connector interior is positioned 22-1/2°, relative to the polarization rivet, to the right (as specified) of standard, and plug is polarized to correspond. This option can be added to receptacles using the Powertite™ Plug. Add suffix **-P4** to receptacle or plug.
- For 2" feed-thru openings (one top, one bottom) add suffix **-22** to receptacle.
- 1 N/O and 1 N/C Auxiliary Contacts. Add suffix **-AUX**.

### NEC Certifications and Compliances

- UL Standard: UL 1010 (UL 1203), UL 894, UL 1682, UL 1686

• Flip cover suitable for NEMA 3, 3R only.

▼ NEMA 4 rating maintained with Appleton NEMA 4 plug installed. Install screw cover for 4, 4X. Both covers are included with product.

◆ Add suffix **-GB** to Cat. No. for Group B. (Group B version not suitable for NEMA 4, 4X).

▶ GE is a registered trademark of General Electric Company.

Visit our website at [www.emerson.com](http://www.emerson.com) or contact us at (800) 621-1506.

© February 2019

# DBR 30, 60 and 100 Amp Series Receptacles

## Dust-Ignitionproof

With Disconnect Switch or Circuit Breaker. Weatherproof Spring Cover. 600 Vac Max.

NEC:  
Class II, Division 1 and 2, Groups F, G  
Class III  
NEMA 3, 3R, 4<sup>✓</sup>, 4X<sup>✓</sup>, 9FG

### DBR Receptacles with Disconnect Switch

Receptacle	Wires/Poles	Catalog Number
30 Amp	2W, 3P	DBR3023DS
	3W, 4P	DBR3034DS
60 Amp	2W, 3P	DBR6023DS
	3W, 4P	DBR6034DS
100 Amp	2W, 3P	DBR1023DS
	3W, 4P	DBR1034DS



DBR with Switch

### DBR Receptacles with Circuit Breaker ◀

Receptacle	Circuit Breaker Amp	Pole	with 480 Vac EHD Breaker	with 600 Vac FDB Breaker	with 600 Vac FD Breaker
30 Amp 2W, 3P	20	2	DBR3023EH20	DBR3023FB20	DBR3023HFB20
	30	2	DBR3023EH30	DBR3023FB30	DBR3023HFB30
	40	2	DBR3023EH40	DBR3023FB40	DBR3023HFB40
	50	2	DBR3023EH50	DBR3023FB50	DBR3023HFB50
30 Amp 3W, 4P	20	3	DBR3034EH20	DBR3034FB20	DBR3034HFB20
	30	3	DBR3034EH30	DBR3034FB30	DBR3034HFB30
	40	3	DBR3034EH40	DBR3034FB40	DBR3034HFB40
	50	3	DBR3034EH50	DBR3034FB50	DBR3034HFB50
60 Amp 2W, 3P	50	2	DBR6023EH50	DBR6023FB50	DBR6023HFB50
	60	2	DBR6023EH60	DBR6023FB60	DBR6023HFB60
	70	2	DBR6023EH70	DBR6023FB70	DBR6023HFB70
	90	2	DBR6023EH90	DBR6023FB90	DBR6023HFB90
60 Amp 3W, 4P	100	2	DBR6023EH100	DBR6023FB100	DBR6023HFB100
	50	3	DBR6034EH50	DBR6034FB50	DBR6034HFB50
	60	3	DBR6034EH60	DBR6034FB60	DBR6034HFB60
	70	3	DBR6034EH70	DBR6034FB70	DBR6034HFB70
100 Amp 2W, 3P	90	3	DBR6034EH90	DBR6034FB90	DBR6034HFB90
	100	3	DBR6034EH100	DBR6034FB100	DBR6034HFB100
	50	2	DBR1023EH50	DBR1023FB50	DBR1023HFB50
	70	2	DBR1023EH70	DBR1023FB70	DBR1023HFB70
100 Amp 3W, 4P	90	2	DBR1023EH90	DBR1023FB90	DBR1023HFB90
	100	2	DBR1023EH100	DBR1023FB100	DBR1023HFB100
	50	3	DBR1034EH50	DBR1034FB50	DBR1034HFB50
	70	3	DBR1034EH70	DBR1034FB70	DBR1034HFB70
100 Amp 3W, 4P	90	3	DBR1034EH90	DBR1034FB90	DBR1034HFB90
	100	3	DBR1034EH100	DBR1034FB100	DBR1034HFB100



DBR with Breaker

APPLETON™

PLUGS AND RECEPTACLES: NEC/CEC HAZARDOUS LOCATION

◀ Circuit Breakers are Cutler-Hammer. Cutler-Hammer F-Frame breakers available up to 175 Amps. Add **GE** after EH, FB, or HFB for GE Circuit Breakers. Contact your local representative for availability and price. Cutler-Hammer is a registered trademark of Eaton Corporation. GE is a registered trademark of General Electric Company.

▼ NEMA 4 rating maintained with Appleton NEMA 4 plug installed. Install screw cover for 4, 4X. Both covers are included with product.

# DBR Receptacles 30, 60, 100 and 150 Amp

## Circuit Breaker and Disconnect Switch Data

600 Vac Max.

**NEC:**

Class II, Division 1 and 2, Groups F, G

Class III

NEMA 3, 3R, 4<sup>†</sup>, 4X<sup>†</sup>, 9FG

### DBR Horsepower Tables

These Cutler-Hammer <sup>†</sup> circuit breaker recommendations are for induction motors running with usual speed and torque characteristics. Ambient temperature, and frequency of starting could require different protective characteristics.

	HP	120 Vac	240 Vac	480 Vac	600 Vac
	1	40EHD	20EHD	15EHD	15FDB
	1-1/2	40EHD	30EHD	15EHD	15FDB
DBR3023 (2W, 3P, 1-Phase, 30 Amp 2-Pole)	2	50EHD	30EHD	20EHD	15FDB
	3	—	40EHD	30EHD	20FDB
	5	—	—	40EHD	30FDB
	7-1/2	—	—	40EHD	40FDB
	3	50EHD	—	—	—
DBR6023 (2W, 3P, 1-Phase, 60 Amp 2-Pole)	5	100EHD	50EHD	—	—
	7-1/2	—	70EHD	—	—
	10	—	—	50EHD	40FDB
	1	—	15EHD	15EHD	15FDB
	1-1/2	—	15EHD	15EHD	15FDB
	2	—	20EHD	15EHD	15FDB
	3	—	30EHD	15EHD	15FDB
DBR3034 (3W, 4P, 3-Phase, 30 Amp 3-Pole)	5	—	40EHD	20EHD	20FDB
	7-1/2	—	50EHD	30EHD	30FDB
	10	—	—	40EHD	30FDB
	15	—	—	40EHD	40FDB
	20	—	—	—	50FDB
	10	—	50EHD	—	—
	15	—	70EHD	—	—
DBR6034 (3W, 4P, 3-Phase, 60 Amp 3-Pole)	20	—	—	50EHD	—
	25	—	—	50EHD	50FDB
	30	—	—	70EHD	50FDB
	40	—	—	—	70FDB
	20	—	100EHD	—	—
	25	—	100EHD	—	—
DBR1034 (3W, 4P, 3-Phase, 100A and 150 Amp 3-Pole)	30	—	150FD	—	—
	40	—	—	100EHD	—
	50	—	—	100EHD	100FDB
	60	—	—	125FD	125FDB
	75	—	—	—	125FDB

### DBR Circuit Breaker Data — Cutler-Hammer <sup>†</sup>

Frame	Continuous Amp	Max Volts	Interrupting Ratings (RMS SYM Amp)		
			240 Vac	480 Vac	600 Vac
EHD	20-100	480	18,000	14,000	—
FDB	20-125	600	18,000	14,000	14,000
FD	20-150	600	65,000	25,000	18,000

### DBR Horsepower Rating Table — Disconnect Switch

Max. Amp	Max. Horsepower Rating				
	120 Vac	240 Vac	480 Vac	600 Vac	250 Vdc
30	5	10	20	25	7-1/2
60	10	20	40	60	15
100	15	30	75	75	25
150	—	50	100	150	—

• Flip cover suitable for NEMA 3, 3R only.

▼ NEMA 4 rating maintained with Appleton NEMA 4 plug installed. Install screw cover for 4, 4X. Both covers are included with product.

† Cutler-Hammer is a registered trademark of Eaton Corporation.

# Plugs for DBR Receptacles

NEC:  
 Class II, Division 1 and 2, Groups F, G  
 Class III  
 NEMA 3, 3R, 4<sup>▼</sup>, 4X<sup>▼</sup>, 9FG

## ACP Plugs for DBR Receptacles

Cable Dia. (Inches)	30 Amp		60 Amp		100 Amp		150 Amp
	2W, 3P	3W, 4P	2W, 3P	3W, 4P	2W, 3P	3W, 4P	3W, 4P
.500 to 1.250	ACP3023BC	ACP3034BC	—	—	—	—	—
.500 to 1.375	—	—	ACP6023BC	ACP6034BC	—	—	—
.875 to 1.906	—	—	—	—	ACP1023CD	ACP1034CD	ACP15034CD
1.09 to 2.187	—	—	—	—	—	—	ACP15034DE

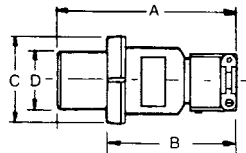


## CPH Plugs for DBR Receptacles

Cable Dia. (Inches)	30 Amp		60 Amp <sup>①</sup>		100 Amp		150 Amp
	2W, 3P	3W, 4P	2W, 3P	3W, 4P	2W, 3P	3W, 4P	3W, 4P
.390 to 1.375	CPH3023BC	CPH3034BC	CPH6023BC	CPH6034BC	—	—	—

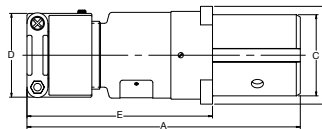


## Dimensions of ACP Plugs



Max. Amp	No. Poles	Dimensions in Millimeters (Inches)			
		A	B	C	D
30	2,3,4	152.4 (6.00)	120.6 (4.75)	79.5 (3.13)	47.2 (1.86)
60	2,3	198.3 (7.81)	125.4 (4.94)	88.9 (3.50)	56.6 (2.23)
60	4	198.3 (7.81)	125.4 (4.94)	96.7 (3.81)	64.7 (2.55)
100	2,3	266.7 (10.50)	168.4 (6.63)	101.6 (4.00)	62.7 (2.47)
100	4	266.7 (10.50)	168.4 (6.63)	107.9 (4.25)	69.0 (2.72)
150 (CD & DE)	4	266.7 (10.50)	168.4 (6.63)	107.9 (4.25)	69.0 (2.72)

## Dimensions of CPH Plugs



Max. Amp	Wire/Pole	Dimensions in Millimeters (Inches)				
		A	B	C	D	E
30	2W, 3P; 3W, 4P	155.7 (6.13)	60.4 (2.38)	47.2 (1.86)	6.68 (2.63)	112.7 (4.44)
60	2W, 3P	214.3 (8.44)	77.7 (3.06)	77.7 (3.06)	6.68 (2.63)	144.5 (5.69)
60	3W, 4P	214.3 (8.44)	77.7 (3.06)	64.7 (2.55)	6.68 (2.63)	144.5 (5.69)

• Flip cover suitable for NEMA 3, 3R only.  
 ▼ NEMA 4 rating maintained with Appleton NEMA 4 plug installed. Install screw cover for 4, 4X. Both covers are included with product.  
 ① 60 Amp CPH plugs with -BC suffix are NOT UL listed.

# DBR 30, 60, 100 and 150 Amp Series Receptacles

## Explosionproof, Dust-Ignitionproof

With Disconnect Switch or Circuit Breaker. Weatherproof Spring Cover. 600 Vac Max. 250 Vdc Max.

### NEC:

Class II, Division 1 and 2, Groups F, G

Class III

NEMA 3, 3R, 4<sup>✓</sup>, 4X<sup>✓</sup>, 9FG

### Replacement Parts

Description	Catalog Number
30 Amp, 2W, 3P Receptacle Interior	EBRI3023
30 Amp, 3W, 4P Receptacle Interior	EBRI3034
60 Amp, 2W, 3P Receptacle Interior	EBRI6023
60 Amp, 3W, 4P Receptacle Interior	EBRI6034
100 Amp, 2W, 3P Receptacle Interior	EBRI1023
100 Amp, 3W, 4P Receptacle Interior	EBRI1034
150 Amp, 3W, 4P Receptacle Interior	EBRI15034
30 Amp, 2W, 3P Disconnect Interlock Rod Assembly	DEJS30
30 Amp, 3W, 4P Disconnect Interlock Rod Assembly	DEJS30
60 Amp, 2W, 3P Disconnect Interlock Rod Assembly	DEJS60A
60 Amp, 3W, 4P Disconnect Interlock Rod Assembly	DEJS60B
100 Amp, 2W, 3P Disconnect Interlock Rod Assembly	DEJS100A
100 Amp, 3W, 4P Disconnect Interlock Rod Assembly	DEJS100B
30 Amp, 2W, 3P Breaker Interlock Rod Assembly	DEJS30
30 Amp, 3W, 4P Breaker Interlock Rod Assembly	DEJS30
60 Amp, 2W, 3P Breaker Interlock Rod Assembly	DEJS60A
60 Amp, 3W, 4P Breaker Interlock Rod Assembly	DEJS60B
100 Amp, 2W, 3P Breaker Interlock Rod Assembly	DEJS100A
100 Amp, 3W, 4P Breaker Interlock Rod Assembly	DEJS100B
150 Amp, 3W, 4P Breaker Interlock Rod Assembly	DEJS100B

• Flip cover suitable for NEMA 3, 3R only.

▼ NEMA 4 rating maintained with Appleton NEMA 4 plug installed. Install screw cover for 4, 4X. Both covers are included with product.

APPLETON™

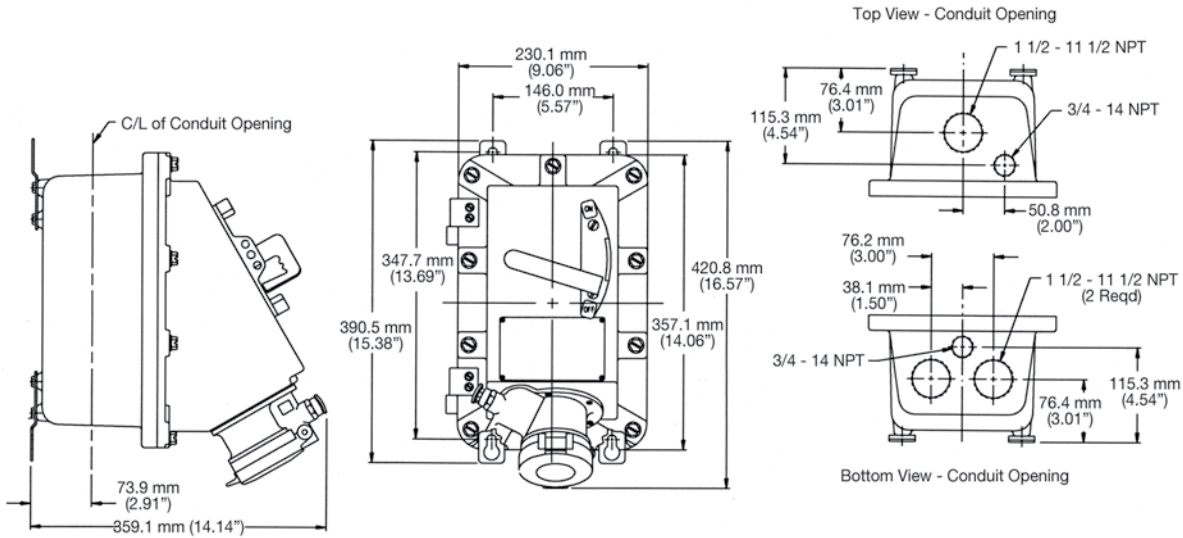
PLUGS AND RECEPTACLES: NEC/CEC HAZARDOUS LOCATION

# DBR 30, 60, 100 and 150 Amp Series Receptacles

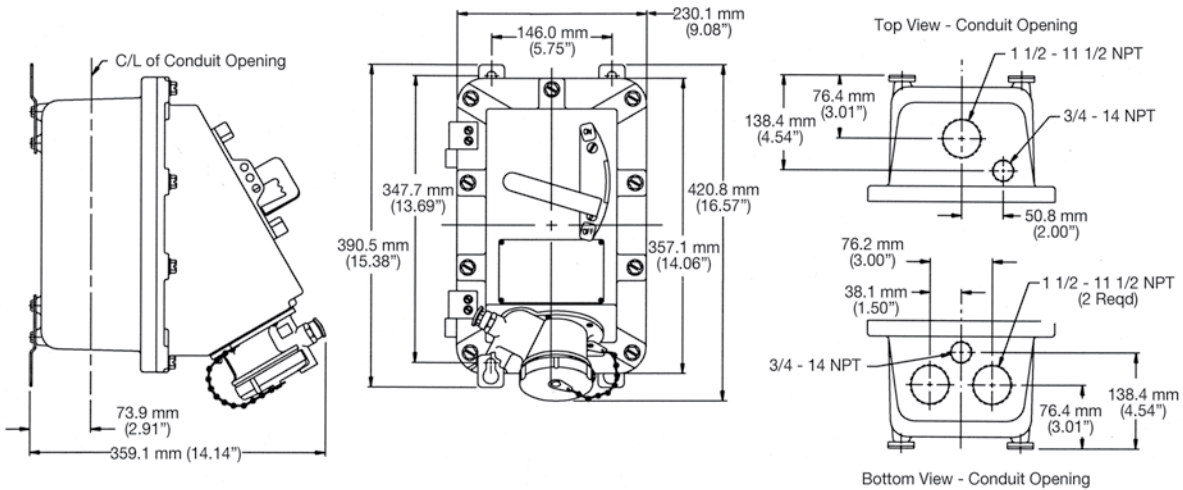
NEC:  
 Class II, Division 1 and 2, Groups F, G  
 Class III  
 NEMA 3, 3R, 4<sup>✓</sup>, 4X<sup>✓</sup>, 9FG

## Dimensions in Millimeters (Inches)

Shown with Flip Cover



Shown with Screw Cover



PLUGS AND RECEPTACLES: NEC/CEC HAZARDOUS LOCATION

▼ NEMA 4 rating maintained with Appleton NEMA 4 plug installed. Install screw cover for 4, 4X. Both covers are included with product.