

ATX™ CBD Series Circuit Breakers

Flameproof

ATEX:
Zone 1 and 2
⊕ II 2 GD
IP66 - IK10

Applications

- Circuit breakers are used in areas where hazardous materials are handled or stored.
- These units provide thermal-magnetic protection and residual current devices.

Features

- Supplied with front rotary control switch handle.
- Padlockable in stop position — 3 x dia. 5 mm (0.20 in).
- RCBOs supplied with test push button.
- Yellow laminated plastic legend plate with black lettering.
- Internal earth terminal 2 x 4 mm² (0.003 x 0.006 in²).
- External ground terminal: M5 for Ex d IIB version.
- Earth crossing terminal M8 for Ex d IIC version.
- 1 x M20 entry on top.
- 2 x M20 entries at bottom with one blanking plug.
- Cable glands to be ordered separately.

Standard Materials

- Gray painted marine grade aluminum alloy housing (RAL7038).
- Stainless steel cover bolts.

ATEX Certifications and Compliances

- Certification Type: CF2D
 - Gas: Zone 1 and 2
 - Conforming to ATEX 94/9/CE: ⊕ II 2 G
 - Type of Protection: Ex d IIB
 - Temperature Class: T3
 - Dust: Zone 21 and 22
 - Conforming to ATEX 94/9/CE: ⊕ II 2 D
 - Type of Protection: Ex td A21
 - Surface Temperature: T195 °C (T383 °F)
 - Ambient Temperature: -5 °C (+23 °F) / -20 °C (-4 °F) / -25 °C (-13 °F) to +55 °C (+131 °F) (according components)
 - CE Declaration of Conformity: 50254
 - ATEX Certificate: LCIE 02 ATEX 6061X
- Certification Type: CF1C
 - Gas: Zone 1 and 2
 - Conforming to ATEX 94/9/CE: ⊕ II 2 G
 - Type of Protection: Ex d IIC
 - Temperature Class: T5
 - Dust: Zone 21 and 22
 - Conforming to ATEX 94/9/CE: ⊕ II 2 D
 - Type of Protection: Ex td A21
 - Surface Temperature: T95 °C (T203 °F)
 - Ambient Temperature: -5 °C (23 °F) / -20 °C (-4 °F) / -25 °C (-13 °F) to +55 °C (131 °F) (according components)
 - CE Declaration of Conformity: 50257
 - ATEX Certificate: LCIE 03 ATEX 6044X
- Index of Protection according EN/IEC 60529: IP66
- Impact Resistance (shock): IK10

EURASEC Certification

- EURASEC N° TC RU C-FR.Г505.B.00910



Ex d IIB Version



Ex d IIC Version

Appleton®

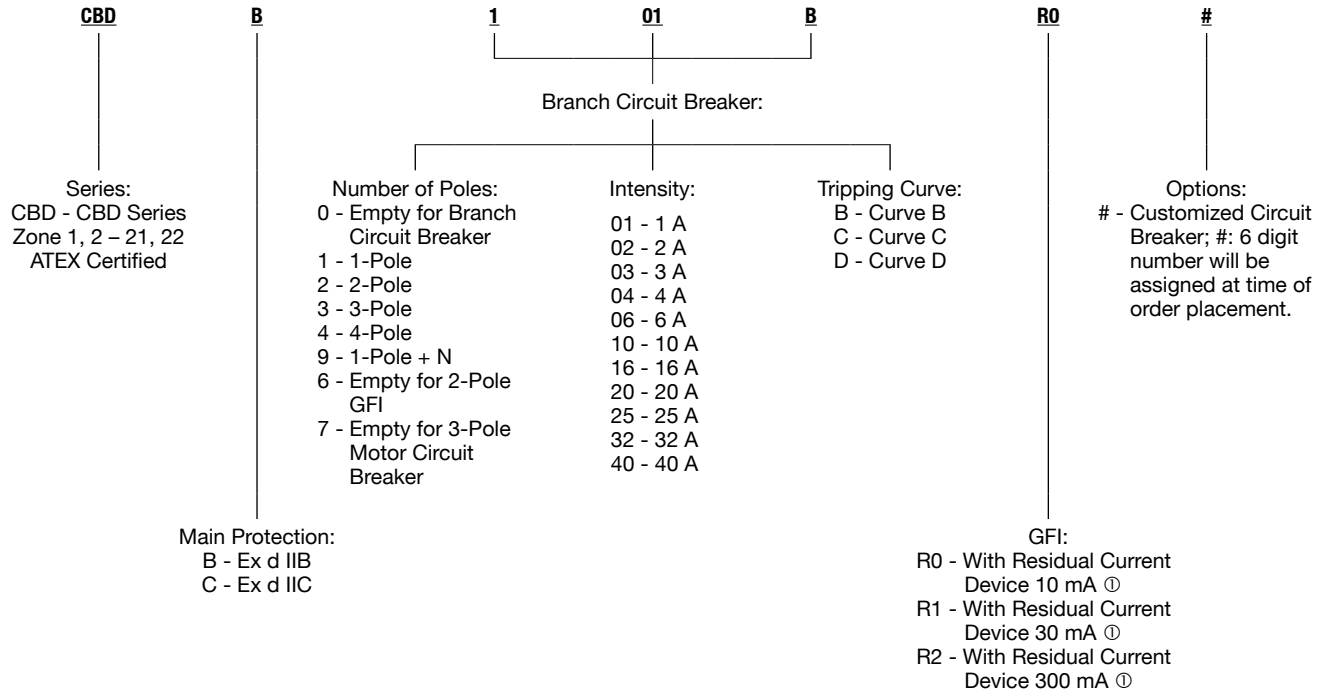
DISTRIBUTION EQUIPMENT: ATEX/IECEx INCREASED SAFETY CIRCUIT BREAKERS

ATX™ CBD Series Circuit Breakers

Flameproof

ATEX:
 Zone 1 and 2
 II 2 GD
 IP66 - IK10

Catalog Numbering Guide



① For Branch Circuit Breaker 2-Poles maximum.

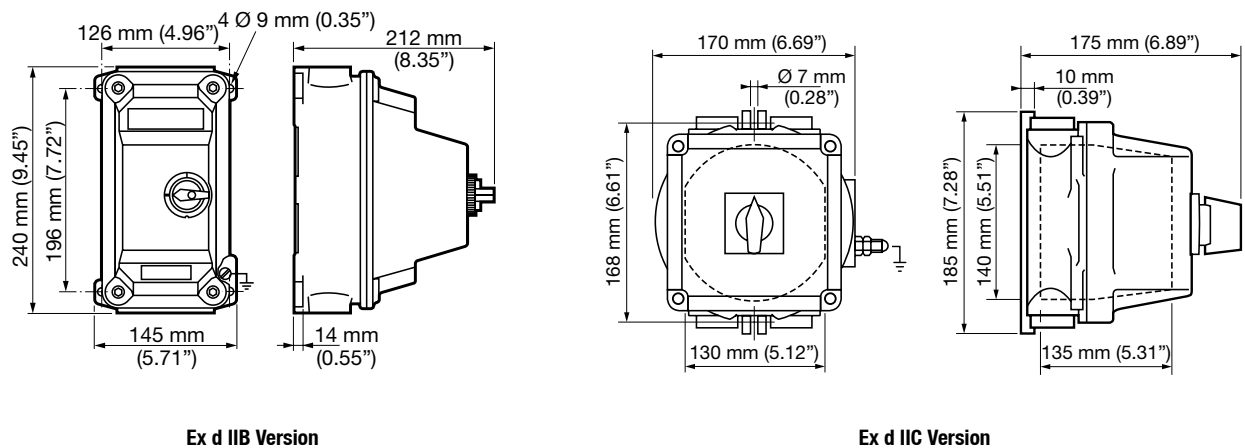
ATX™ CBD Series Circuit Breakers

Flameproof

ATEX/IECEX:
 Zone 1 and 2
 II 2 GD
 IP66 - IK10

Type	Description	Weight kg (lb)	Volume dm ³ (in ³)	Catalog Number
Enclosure for Housing Branch Circuit Breaker up to 40 A – Ex d IIB T3 for -25 °C to +55 °C (-13 °F to +131 °F) Ambient Temperature				
CF2D	For 40 A maximum 2-pole, 3-pole and 4-pole Branch Circuit Breaker (DX from Legrand) not supplied	4 (8.82)	14 (854.3)	CBDB0
CF2D	For 40 A maximum 2-pole, GFI Branch Circuit Breaker (iC60 from Schneider Electric) not supplied	4 (8.82)	14 (854.3)	CBDB6 ①
CF2D	For 32 A maximum 3-pole motor circuit breaker (GV2-P or GV2-L from Schneider Electric) not supplied	4 (8.82)	14 (854.3)	CBDB7
Enclosure for Housing MCB up to 40 A – Ex d IIC T5 for -25 °C to +55 °C (-13 °F to +131 °F) Ambient Temperature				
CF1C	For 40 A maximum 2-pole, 3-pole and 4-pole Branch Circuit Breaker (DX from Legrand) not supplied	4 (8.82)	14 (854.3)	CBDC0
CF1C	For 40 A maximum 2-pole, GFI (iC60 from Schneider Electric) not supplied	4 (8.82)	14 (854.3)	CBDC6 ①
CF1C	For 32 A maximum 3-pole motor circuit breaker (GV2-P or GV2-L from Schneider Electric) not supplied	4 (8.82)	14 (854.3)	CBDC7

Dimensions in Millimeters (Inches)



Ex d IIB Version

Ex d IIC Version

① Options: enclosure fitted with GFI Branch Circuit Breaker available as per catalog number logic.