

## Type T5500 and T6500 All Welded Stainless Steel Process Pressure Gauge



- *Open or solid front design*
- *Dry, liquid filled or PLUS!™ Performance option.*
- *100mm or 160mm case size*
- *Weatherproof Protection IP66, NEMA 4X*
- *Optional ATEX approval CE Ex II 2 GDC.*
- *Monel wetted system optional*
- *100mm or 160mm case size*
- *Overload protection 130%*
- *Optional electrical contacts*

The Ashcroft® T5500 and T6500 all stainless steel process pressure gauge is one of the finest production gauges on the market for industrial use where precise indications are required. Industries served include chemical, petrochemical, power, machine, pulp, paper, food and beverage applications. The product line offers either open or solid front design depending on your safety requirements. These gauges are available with 100 or 160mm case sizes, stainless steel or Monel wetted systems and psi or metric pressure ranges.

### PRODUCT SPECIFICATIONS

**Model Number:** T5500, T6500

**Accuracy:** Standard: Class 1, 1% full scale  
Optional: 1/2% full scale

**Ranges:** Vacuum, compound, pressure  
psi: -30in. Hg-0, 0-15,000

**Dial Size:** 100mm or 160mm diameter

**Case Material:** 304 stainless steel,  
316 stainless steel optional  
T5500: open front, rear  
blowout disk  
T6500: solid front, rear  
blowout disk

**Ring:** 304 stainless steel  
316 stainless steel optional

<b>Window:</b>	T5500: Standard: glass, Optional: laminated safety glass or acrylic T6500: Standard: laminated safety glass Optional: acrylic
<b>Dial:</b>	Aluminum, white background, black figures and intervals.
<b>Pointer:</b>	Standard: aluminum black Optional: adjustable micro- meter, red set hand, maximum pointer
<b>Movement:</b>	304/303 stainless steel
<b>Bourdon Tube and Socket:</b>	Standard: 316L stainless steel Optional: Monel
<b>Connection Size:</b>	1/4 NPT male, 1/2 NPT male G 1/4 B male, G 1/2 B male
<b>Connection Location:</b>	T5500: Lower or back T6500: Lower only
<b>Weather Protection:</b>	IP66 NEMA 4X, Weatherproof
<b>Temperature:</b>	Ambient: -40-200°F (-40-93°C) Process: Max. 200°F (93°C) dry Max. 212°F (100°C) liquid filled
<b>Weight (dry/filled):</b>	T5500: 2.0 (dry) 2.5 (liquid filled) T6500: 3.0 (dry) 4.5 (liquid filled)
<b>Mounting:</b>	Standard: stem Optional: flush or surface

### OPTIONAL FEATURES

**Fill:** L-Glycerin-Standard  
XGV-Silicone-Optional  
XGX-Halocarbon-Optional

**PLUS!™  
Performance:** XLL

**Shatter Proof  
Glass Window:** XSG

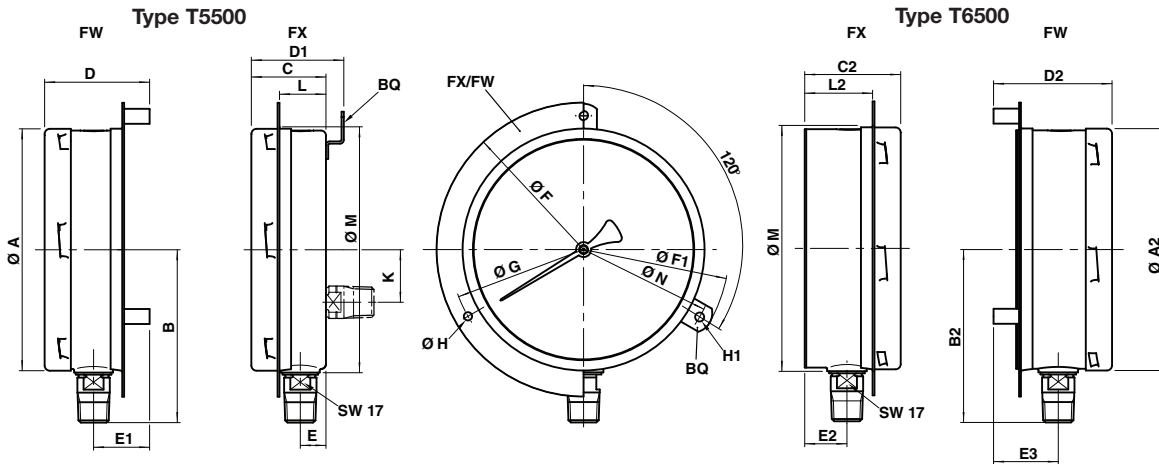
**Acrylic Window:** XPD

**Set Hand:** XSH

**Maximum  
Pointer:** XEP

## Type T5500 and T6500 All Welded Stainless Steel Process Pressure Gauge

### Dimensions Drawings



#### T5500 Dimensions ( ) are mm

DIAL SIZE	A	B	C	D	D1	E	E1	F	G	H	H1	K	L	M	N
100 mm	3.94 (101)	3.47 (89)	1.99 (51)	2.69 (69)	2.42 (62)	0.72 (18.5)	1.42 (36.5)	5.15 (132)	4.52 (116)	0.18 (4.5)	0.23 (6)	1.37 (35)	1.21 (33)	4.02 (103)	4.68 (119)
160 mm	6.32 (162)	4.60 (118)	1.91 (49)	2.73 (70)	2.30 (59)	0.66 (17)	1.48 (38)	7.64 (196)	6.94 (178)	0.20 (5.5)	0.23 (6)	1.37 (35)	1.21 (31)	6.40 (164)	6.98 (179)

#### T6500 Dimensions ( ) are mm

DIAL SIZE	A2	B2	C2	D2	E2	E3	F	G	H	H1	L2	M	N
100 mm	3.94 (101)	3.47 (89)	2.38 (61)	2.96 (76)	1.01 (26)	1.60 (41)	5.15 (132)	4.52 (116)	0.18 (4.5)	0.31 (6)	1.64 (42)	4.02 (103)	4.64 (119)
160 mm	6.16 (158)	4.60 (118)	2.57 (66)	3.12 (80)	1.17 (30)	1.72 (44)	7.14 (183)	6.55 (168)	0.23 (6)	0.23 (6)	1.95 (50)	6.28 (161)	6.98 (179)

#### Order Coding Example

10	T5500	S	D	04	L	100	#	GV	NH
----	-------	---	---	----	---	-----	---	----	----

DIAL SIZE	TYPE	SYSTEM MATERIAL	CASE TYPE	PROCESS CONNECTION	CONNECTION LOCATION	RANGE psi	ENGINEERING UNITS	FILL*	OPTIONS
(10) 100mm	T5500	(S) 316L SS	(D) Dry	(02) ¼ NPT male <sup>(1)</sup> (04) ½ NPT male <sup>(1)</sup>	(L) Lower (B) Back	0/15 0/30 0/60 0/100 0/160 0/200 0/300 0/400 0/600 0/800 0/1000 0/1500 0/2000 0/3000 0/5000 0/6000 0/10,000 0/15,000	PSI  BAR	(GV) Silicone (GX) Halocarbon	(YW) Case material 316L (SM) 316 SS movement (NH) Wire tag (TU) Throttle plug SS (6B) Oxygen cleaned (MP) Micrometer pointer (PD) Acrylic glass (SG) Safety glass (FX) Front flange (FW) Back flange (UF) U-clamp (LJ) Field fillable (AJ) Calibration 0.5% F.S.** (LL) PLUS!™ Performance (NZ) PLUS!™ Performance, silicon free (AT) Atex
(16) 160mm	T6500	(P) Monel 400	(L) Liquid	(13) G ¼ NPT B male (15) G ½ NPT B male				* Glycerin fill standard when liquid filled gauge is specified	

\*Glycerin not available 30 psi and below (Silicone only)  
\*\*System materials only. For liquid filled gauges >= 100 psi