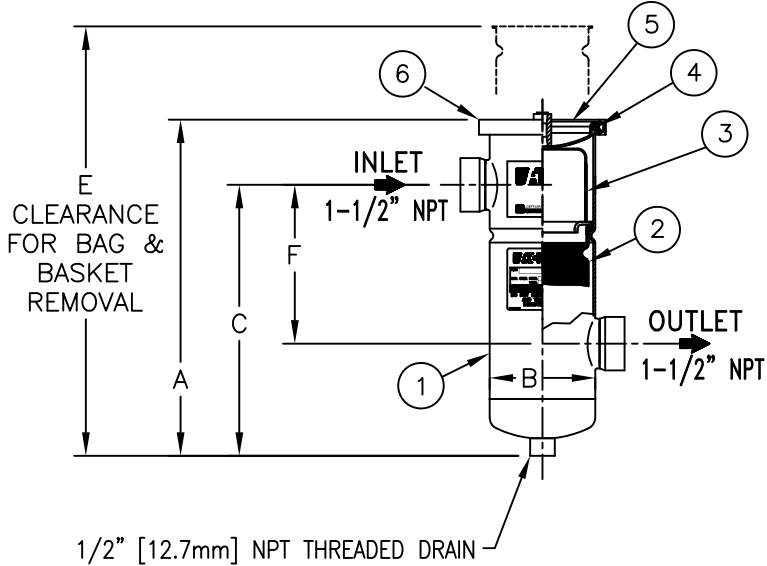
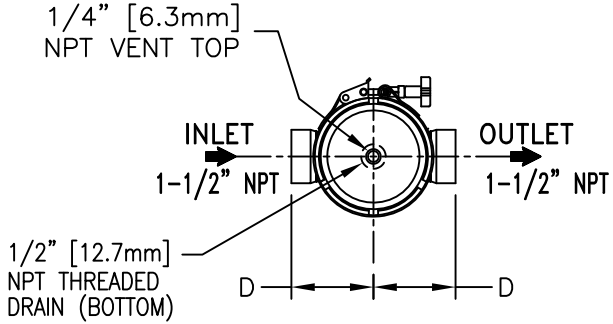


ITEM NUMBER	BAG SIZE	PIPE SIZE (NOM.)	IN. / MM A	IN. / MM B	IN. / MM C	IN. / MM D	IN. / MM E	IN. / MM F	WEIGHT LBS / KGS
F3AVEB00110	03	1-1/2" / [38.1]	14-3/8 / 365.1	4-1/2 / 114.3	11-9/16 / 293.6	3-1/2 / 88.9	24 / 609.6	6-3/4 / 171.4	9 / 4.1

REVISIONS				
REV	DESCRIPTION	BY	ECO	DATE
D	REVISED BORDER	FJM	0073771	07/19/12



NO.	PART NAME	MATERIAL
1	BODY	316 STAINLESS STEEL
2	RESTRAINER BASKET P/N L0001223	316 STAINLESS STEEL
3	BAG HOLD DOWN	316 STAINLESS STEEL
4	O-RING P/N L0000029	BUNA-N
5	COVER	316 STAINLESS STEEL
6	V-CLAMP	STAINLESS STEEL

**NOTES:**

- INLET/OUTLET "NPT" THREADED CONNECTIONS PER ANSI B1.20.1.
- MAWP: 150 PSI @ 250 °F (10.3 BAR @ 121.1 °C)
- DIMENSIONS SHOWN IN [ ] ARE IN MILLIMETERS AND FOR REFERENCE ONLY. ACCEPTANCE OF THIS PART WILL BE BASED ON "INCH" UNITS & TOLERANCES ONLY.

TOLERANCES (UNLESS OTHERWISE SPECIFIED)	
DECIMAL:	.X ± .030 .XX ± .010 .XXX ± .005
FRACTIONAL:	± 1/16
NOZZLE Ø TO FLOOR:	1/8" < 4" > 1/4"
FACE TO FACE:	1/8" < 4" > 1/4"
ANGULAR:	± 1°
FLANGES (H/V):	± 1/2°
VESSEL OVERALL HT:	1"

REVIEWED FOR CLASSIFICATION PER PR-4  
 CRITICAL SIGNIFICANT

CUSTOMER INFO	
NAME	
P.O. NO.	
S.O. NO.	
QUANTITY	
PART NO.	F3AVEB00110

DRAWN BY		FJM		VESSEL CODE: EBF-0103-AB10-015N-NI-B-NNS	
SCALE		AS DRAWN		EATON DESIGN CENTER ISELIN, NEW JERSEY, USA • PORTAGE, MICHIGAN, USA	
RESTRICTION		RESTRICTED			
SHEET		1 OF 1		TITLE	
PROJECTION		THIRD ANGLE		MINI ECOLINE (EBF-0103) FILTER VESSEL 1-1/2" NPT THREADED CONN. STAINLESS STEEL	
DATE	01/08/04	SIZE	A	DWG FILENAME	EBF15XS9-SO
REV	D				

EATON CORPORATION - CONFIDENTIAL AND PROPRIETARY NOTICE TO PERSONS RECEIVING THIS DRAWING AND/OR TECHNICAL INFORMATION  
 THIS DOCUMENT, INCLUDING THE DRAWING AND INFORMATION CONTAINED THEREON IS CONFIDENTIAL AND IS THE EXCLUSIVE PROPERTY OF EATON AT ANY TIME. BY TAKING THE POSSESSION OF THIS DOCUMENT THE RECIPIENT ACKNOWLEDGES AND AGREES THAT THIS DOCUMENT CANNOT BE USED IN ANY MANNER ADVERSE TO THE INTEREST OF EATON AND THAT NO PORTION OF THIS DRAWING MAY BE COPIED OR OTHERWISE REPRODUCED WITHOUT THE PRIOR WRITTEN CONSENT OF EATON, IN THE CASE OF CONFLICT CONTRACTUAL PROVISIONS, THIS NOTICE SHALL GOVERN THE STATUS OF THIS DOCUMENT.  
 2012 EATON CORPORATION - ALL RIGHTS RESERVED.