

Metso Belt Feeders BF and BFH Series



Ease of
maintenance,
transport and
installation





Metso Belt Feeders BF and BFH Series

For bulk materials handling, to withdraw fines or wet materials under hoppers, bins or stock piles, for feeding rate for screens, crushers, conveyors, etc., Metso has the standard belt feeders.

They are designed for heavy duty applications, available on models BF (Standard Capacity) and BFH (High Capacity), which can be fixed or movables (on wheels). These belt feeders were developed for ease maintenance, transport and installation, according to strict safety standards, such as NRs (Brazilian regulations), OSHA and MSHA (United States regulations).

Technical Data

- Belt width : from 24" up to 72"
- Max. capacity: 2628 t/h
- Max. speed: 0.3 m/s
- Max. lump size: 267 mm (10.1/2")
- Available lengths: see Table page 3
- Belt feeder slope: 0° (horizontal)
- One way feeding direction

Main components

- Chassis for fixed or movable belt feeder
- Skirtboard with abrasion resistant liner and regulating gate
- Screw takeup system (assisted by a hydraulic cylinder for belt widths above 30")

- Rubber lagged drive and return pulleys
- Impact / carrying idlers: flat for 24" and 30" belt widths and 20° picking from 36" up to 72" belt widths
- Flat return idlers with rubber discs
- Power transmission through electric motor and planetary gearbox, shaft mounted on the pulley with torque arm fixed on the structure
- Polyester / Nylon conveyor belt
- Primary cleaner and plow
- Drive shaft and return pulley guards
- Emergency stop, misalignment and under speed switches

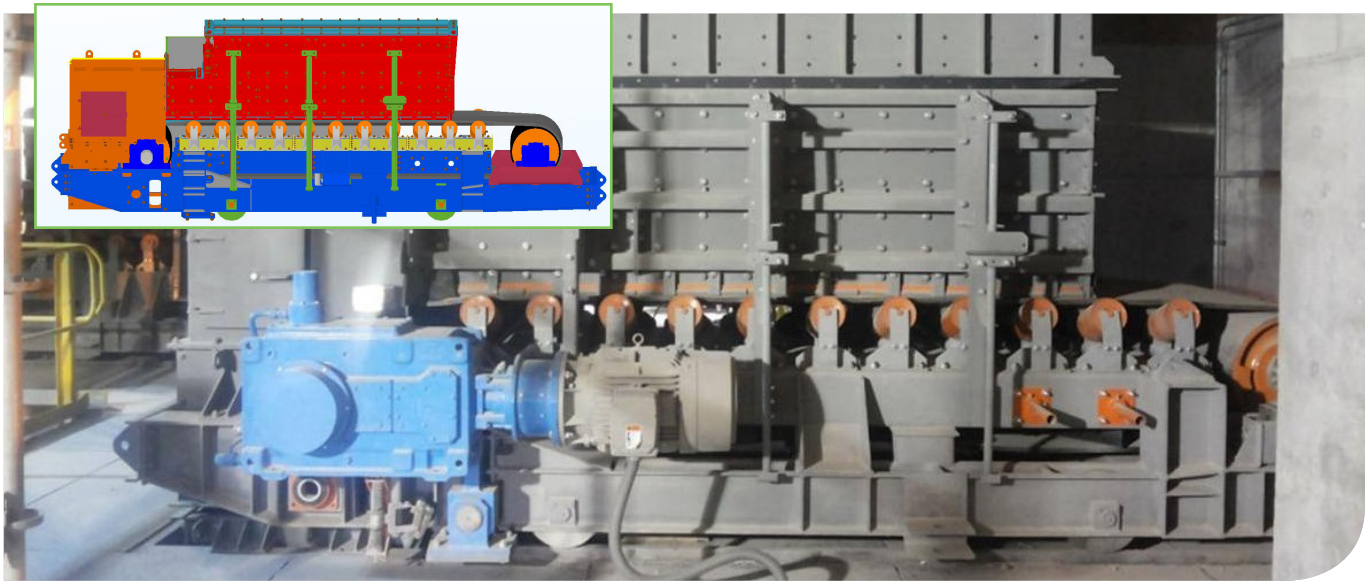
Documentation

- General arrangements, base plates and loads drawings
- Installation, operation and maintenance manual



Optional Items

- Discharge Chute
- Secondary cleaner
- Customized skirtboard abrasion resistant liners materials
- Quickly release clamp for skirtboard seals
- Double lips skirtboard seals
- Skirtboard cover
- Side guard
- Frequency inverter
- Material flow analysis / simulation through Discrete Elements Method (DEM)



Technical Specifications

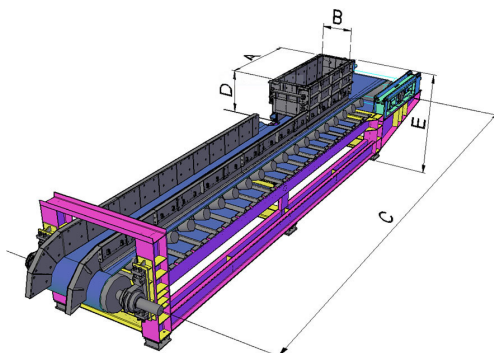
				BF series		BFH series		Dimensions					
Belt width	Skirtboard width	Lump size (max.)		Volumetric capacity	Capacity	Installed power	Capacity	Installed power	A (internal)	B (internal)	D	E	E
(inch)	(mm)	(mm)	(inch)	(m ³ /h)	(t/h)	(kW)	(t/h)	(kW)	(mm)	(mm)	(mm)	(mm)	(mm)
24	450	83	3 1/4	100	160	3,7	-	-	1000	450	665	1580	1490
30	590	102	4	172	275	3,7	-	-	1000	590	740	1650	1560
36	550	102	4	149	-	-	386	7,5	1600	550	740	1840	1750
42	680	127	5	227	363	7,5	590	11	1600	680	810	1940	1850
48	820	153	6	336	536	11-15	872	18,5	2500	820	1100	2420	2330
54	970	178	7	475	760	18,5	1235	30	3000	970	1200	2900	2800
60	1090	204	8	605	967	22-30	1572	37	3000	1090	1290	2920	2850
72	1400	267	10 1/2	1011	1617	45	2628	75	3500	1400	1610	3450	3350

BF series: Capacities based on 1,6 t/m³ bulk density and 0,3m/s belt speed.

BFH series: Capacities based on 2,6 t/m³ bulk density and 0,3m/s

Belt Feeders BF and BFH series models

Belt width	"C" Dimension - Belt Feeder length (pulley centers) - mm											
(inch)	3000	4000	5000	6000	7000	8000	9000	10000	12000	14000	16000	
24	BF2430	BF2440	BF2450	BF2460	BF2470							
30	BF3030	BF3040	BF3050	BF3060	BF3070							
36		BFH3640	BFH3650	BFH3660	BFH3670	BFH3680						
42		BF(H)4240	BF(H)4250	BF(H)4260	BF(H)4270	BF(H)4280	BF(H)4290					
48			BF(H)4850	BF(H)4860	BF(H)4870	BF(H)4880	BF(H)4890					
54				BF(H)5460	BF(H)5470	BF(H)5480	BF(H)5490	BF(H)54100				
60				BF(H)6060	BF(H)6070	BF(H)6080	BF(H)6090	BF(H)60100	BF(H)60120			
72					BF(H)7270	BF(H)7280	BF(H)7290	BF(H)72100	BF(H)72120	BF(H)72140	BF(H)72160	



Dimensions:

- A – Feeding flange internal length
- B – Skirtboard width
- C – Distance between pulleys center lines
- D – Height from the belt to the feeding flange
- E – Belt feeder height

Customized / engineered belt feeders can be developed under request.

Expect results

It is our promise to our customers and the essence of our strategy.

It is the attitude we share globally; our business is to deliver results to our customers, to help them reach their goals.

