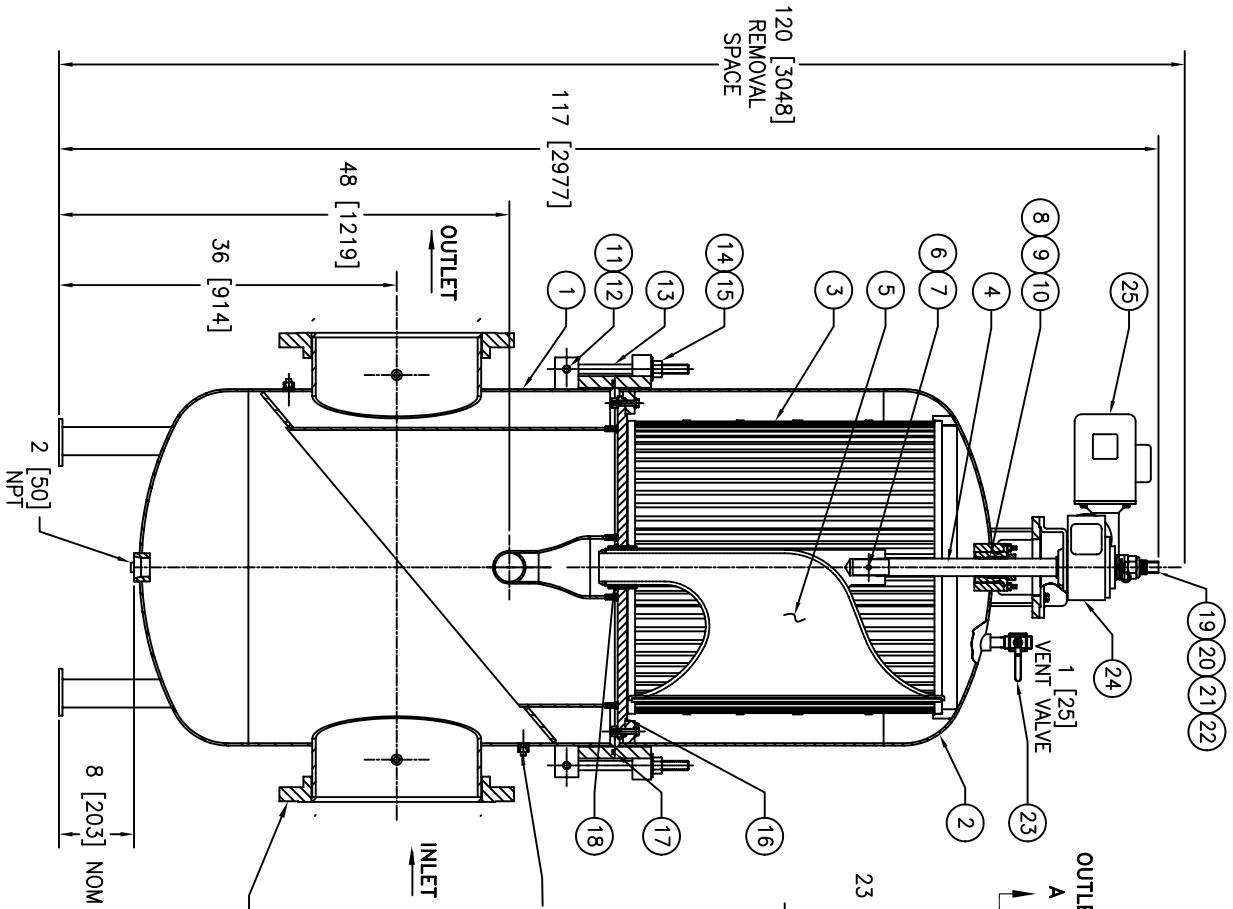
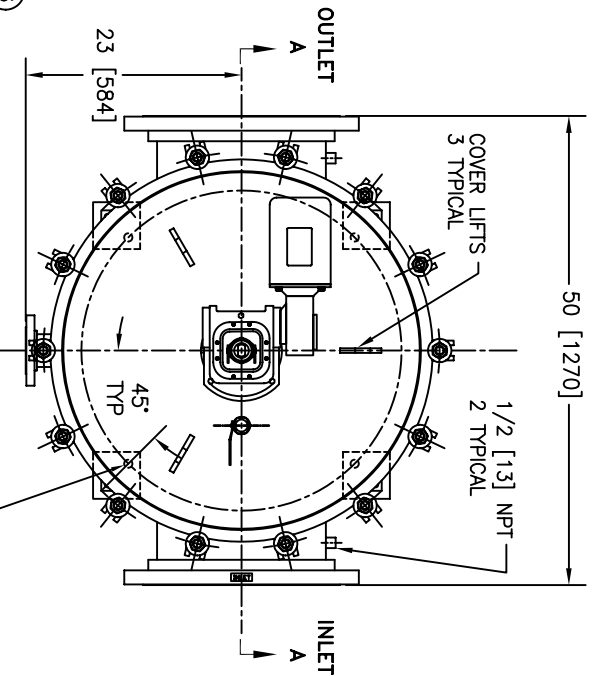


NO.	PART NAME	MATERIAL
1	BODY	CARBON STEEL
2	COVER	CARBON STEEL
3	STRAINING ELEMENT	316 STAINLESS STEEL
4	BACKWASH SHAFT	STAINLESS STEEL
5	BACKWASH ARM ASSEMBLY	DUCTILE IRON/SSTL
6	B/W ARM NUT	STAINLESS STEEL
7	B/W ARM DRIVE PIN	STAINLESS STEEL
8	BEARING HOUSING	STAINLESS STEEL
9	QUAD SEAL	BUNA
10	PILOT PACKING BUSHING	COMPOSITE
11	EYE BOLT PIN	CARBON STL ZINC P.L.
12	RETAINING RING	CARBON STL ZINC P.L.
13	EYE BOLT	CARBON STL ZINC P.L.
14,15	HEX NUT, WASHER	CARBON STL ZINC P.L.
16	LOWER SUPPORT RING	CARBON STEEL
17	GIRTH O-RING	NITRILE
18	LOWER BUSHING	COMPOSITE
19	SHAFT DRIVE PIN	STAINLESS STEEL
20	COTTER PIN	STAINLESS STEEL
21,22	STOP NUT, SPACER	CARBON STEEL
23	VENT NUT, NIPPLE	STAINLESS STEEL
24	GEAR REDUCER	CAST IRON
25	MOTOR	1/3 HP



NOTES:

1. ALL DIMENSIONS ARE INCH [MM].
2. FOR REPLACEMENT PARTS, MODEL NO., SIZE & SERIAL NO. FROM THE STRAINER NAMEPLATE MUST BE FURNISHED.
3. DESIGN PRESSURE: 150 PSI @ 150°F [10.3 BARS @ 65.5°C]
4. INTERNAL COATING: NONE
5. EXTERNAL COATING: PER ES-309
6. WEIGHTS: DRY 3500 LBS, COVER 1280 LBS, FLOODED 8300 LBS. [DRY 1590 KGS, COVER 581 KGS, FLOODED 3768 KGS]
7. PART NO.: 25961802200P

CERTIFIED FOR:
 QUOTE NO.:
 P.O. NO.:
 S.O. NO.:
 NO. OF STRAINERS:
 STRAINING ELEMENT:

ELECTRONIC FILE NAME: SD259604P.DWG
 REF. ECR D507
 DATE 11/1/05

UNAUTHORIZED USE, MANUFACTURE OR REPRODUCTION IN WHOLE OR IN PART IS PROHIBITED. DRAWING, DESIGN AND OTHER DISCLOSURES PROPERTY OF EATON FILTRATION, LLC

	EATON FILTRATION, LLC 900 FAIRMOUNT AVENUE, ELIZABETH, NEW JERSEY 07207
	NAME 18" [450] MODEL 2596 AUTOMATIC STRAINER - FABRICATED CARBON STEEL - QUAD SEAL
DRAWN VAA DATE 01/10/02 CERT. FM DATE 01/10/02	REV C
SIZE DWG NO A	REF. ECR D507 DATE 11/1/05