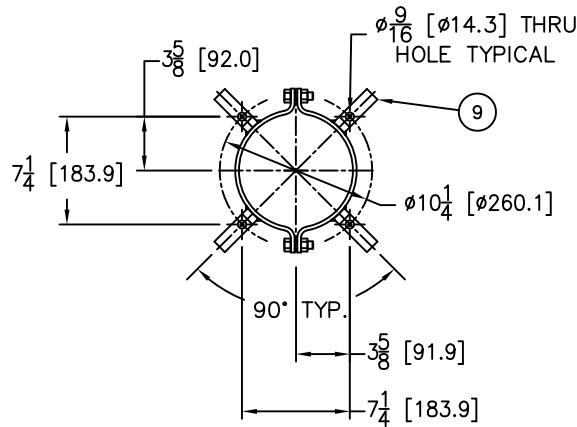
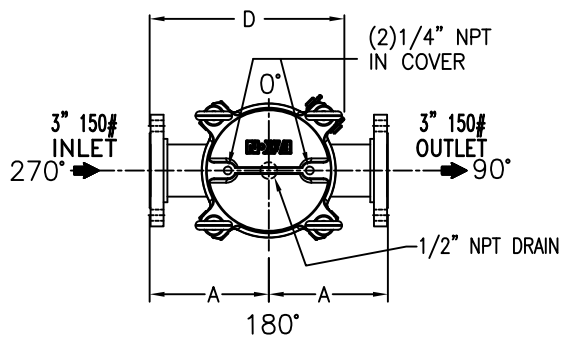


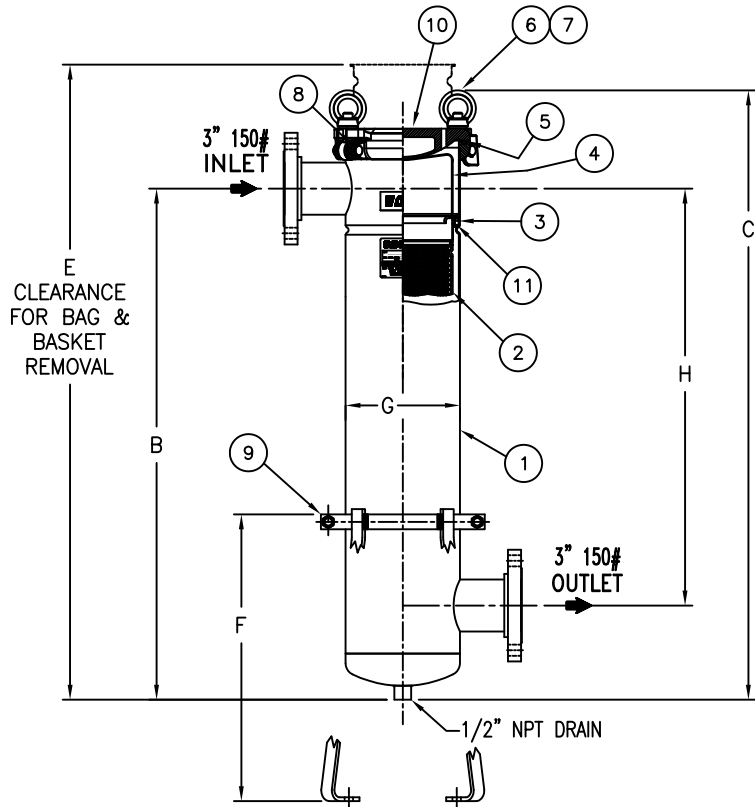
ITEM NUMBER	BAG SIZE	IN. / MM	IN. / MM	IN. / MM	IN. / MM	IN. / MM	IN. / MM	IN. / MM	IN. / MM	WEIGHT LBS / KGS
F3AVFB01033	02	8 / 203	34-5/16 / 871.5	40-7/8 / 1038	13-1/16 / 331	69/ 1752.6	19-1/4 / 489	7-11/16 / 195	28 / 711.2	61 / 27.6



MOUNTING DETAIL

REVISIONS				
REV	DESCRIPTION	BY	ECO	DATE
C	UPDATED DRAWING	FJM	0087639	07/24/13

NO.	PART NAME	MATERIAL
1	BODY	316 STAINLESS STEEL
2	RESTRAINER BASKET P/N L0001753	316 STAINLESS STEEL
3	ADAPTOR O-RING P/N X811441	BUNA
4	BAG HOLD DOWN	316 STAINLESS STEEL
5	O-RING P/N X811445	BUNA
6	EYE BOLT	STEEL, ZINC PLATED
7	EYE NUT	STEEL, ZINC PLATED
8	PIN	STAINLESS STEEL
9	ADJUSTABLE LEGS P/N L0002939SA-CSTL	CARBON STEEL EPOXY COATED
10	COVER	316 STAINLESS STEEL
11	ADAPTOR PLATE	316 STAINLESS STEEL



NOTES:

1. INLET/OUTLET FLANGED CONNECTIONS ARE PER ANSI B16.5
2. MAWP: 150 PSI @ 250° F MDMT: -20° F @ 150 PSI
(10.3 BAR @ 121.1° C) (-28.9° C @ 10.3 BAR)
3. MAXIMUM OPERATING TEMP. 400° F (204.4° C) WITH VITON O-RING.
4. DIMENSIONS SHOWN IN [] ARE IN MILLIMETERS AND FOR REFERENCE ONLY. ACCEPTANCE OF THIS PART WILL BE BASED ON "INCH" UNITS & TOLERANCES ONLY.

VESSEL CODE: FBF-0102-AB10-030A-NI-B-NCS

DRAWN BY	FJM
SCALE	AS DRAWN
RESTRICTION	RESTRICTION
SHEET	1 OF 1
PROJECTION	THIRD ANGLE

EATON EATON FILTRATION, LLC
DESIGN CENTER
TINTON FALLS, NEW JERSEY, USA • PORTAGE, MICHIGAN, USA

TITLE FLOWLINE (FBF-0102) BAG FILTER VESSEL
3" 150# RF FLANGED IN/OUT CONNECTIONS
IN-LINE SS-316 W/BUNA O-RINGS

DATE	08/05/04	SIZE	A	DWG FILENAME	FBF02XSf-3I	REV	C
------	----------	------	---	--------------	-------------	-----	---

TOLERANCES (UNLESS OTHERWISE SPECIFIED)	
DECIMAL:	X ± .030
	.XX ± .010
	.XXX ± .005
FRACTIONAL:	± 1/16
NOZZLE Q TO FLOOR:	1/8" < 4' > 3/4"
FACE TO FACE:	1/4" < 4' > 1/2"
ANGULAR:	± 1'
FLANGES (H/V):	± 1/2"
VESSEL OVERALL HT:	1"

REVIEWED FOR CLASSIFICATION PER PR-4
CRITICAL SIGNIFICANT

CUSTOMER INFO	
NAME	
P.O. NO.	
S.O. NO.	
QUANTITY	
PART NO.	F3AVFB01033

EATON CORPORATION - CONFIDENTIAL AND PROPRIETARY NOTICE TO PERSONS RECEIVING THIS DRAWING AND/OR TECHNICAL INFORMATION
THIS DOCUMENT, INCLUDING THE DRAWING AND INFORMATION CONTAINED THEREON IS CONFIDENTIAL AND IS THE EXCLUSIVE PROPERTY OF EATON AT ANY TIME. BY TAKING THE POSSESSION OF THIS DOCUMENT THE RECIPIENT ACKNOWLEDGES AND AGREES THAT THIS DOCUMENT CANNOT BE USED IN ANY MANNER ADVERSE TO THE INTEREST OF EATON AND THAT NO PORTION OF THIS DRAWING MAY BE COPIED OR OTHERWISE REPRODUCED WITHOUT THE PRIOR WRITTEN CONSENT OF EATON, IN THE CASE OF CONFLICT CONTRACTUAL PROVISIONS, THIS NOTICE SHALL GOVERN THE STATUS OF THIS DOCUMENT.
2013 EATON CORPORATION - ALL RIGHTS RESERVED.