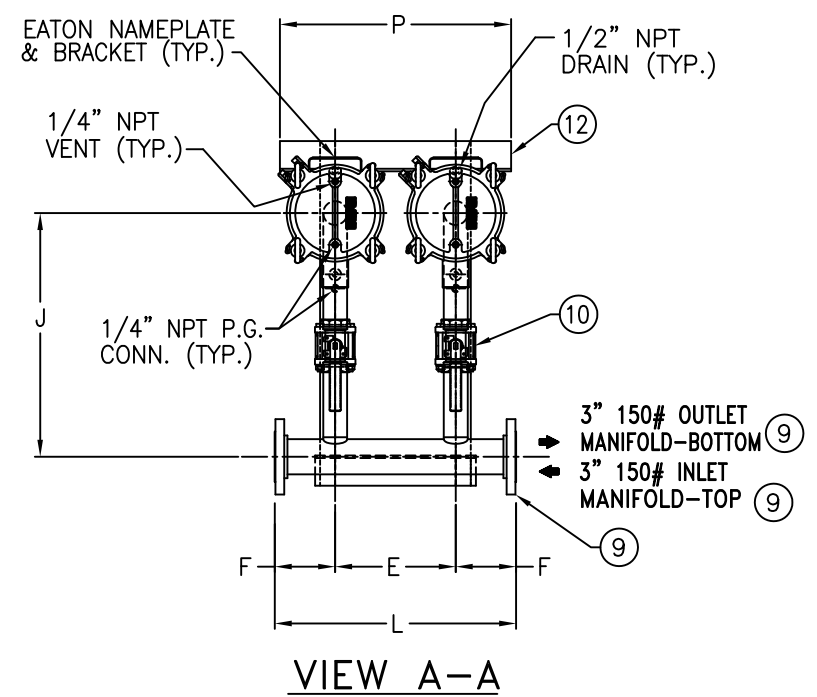


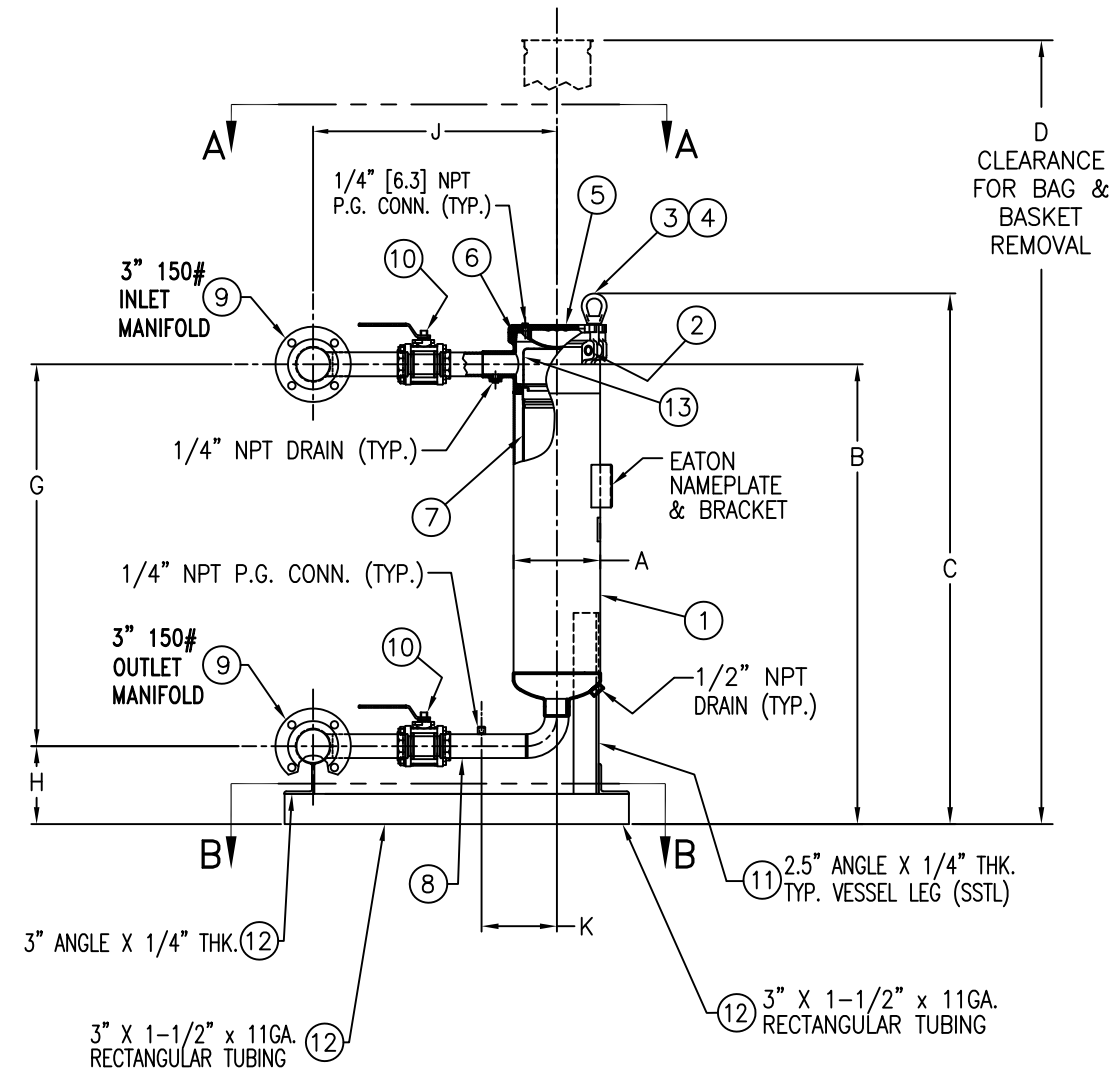
ITEM NUMBER	BAG SIZE	A IN. / MM	B IN. / MM	C IN. / MM	D IN. / MM	E IN. / MM	F IN. / MM	G IN. / MM	H IN. / MM	J IN. / MM	K IN. / MM	L IN. / MM	M IN. / MM	N IN. / MM	P IN. / MM	Q IN. / MM	R IN. / MM	S IN. / MM	WEIGHT LBS / KGS
F3AVSB0402	02	8-5/8 / 219	45-3/4 / 1162	52-13/16 / 1341.4	78 / 1981.2	12 / 304.8	6 / 152.4	38 / 965.2	7-3/4 / 196.8	24-1/4 / 616	7-1/2 / 190.5	24 / 609.6	16 / 406.4	4 / 101.6	23 / 584.2	4 / 101.6	34-1/4 / 870	28-1/4 / 717.5	380 / 172.4

REVISIONS

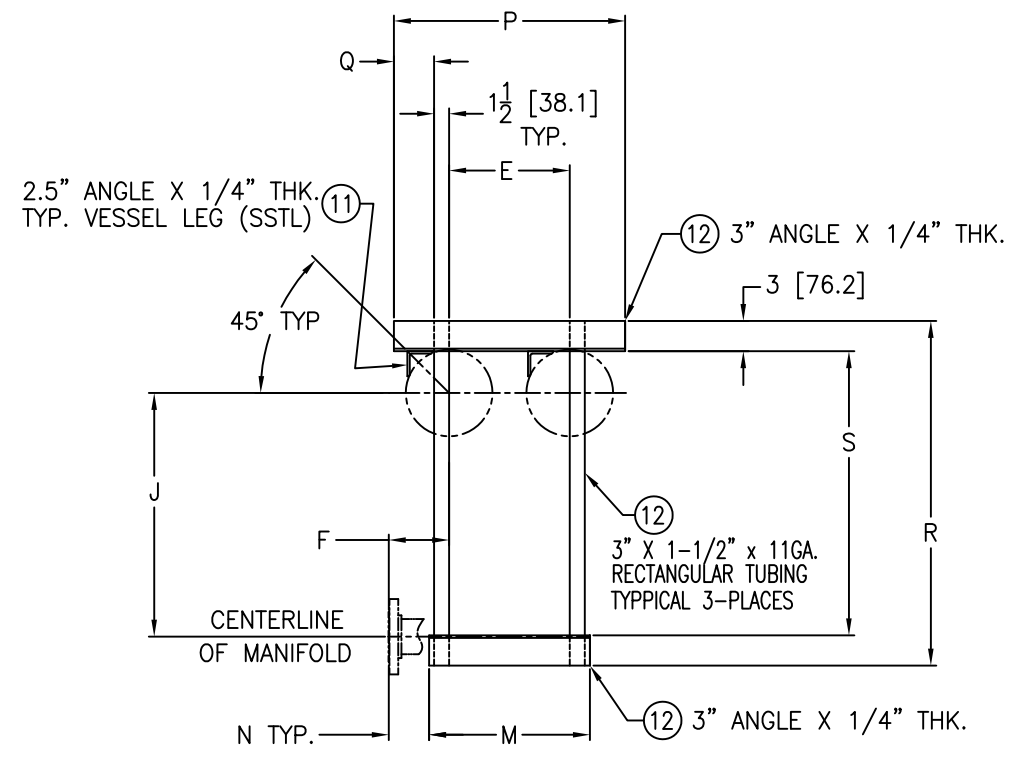
REV	DESCRIPTION	BY	ECO	DATE
A	NEW ISSUE	FJM	0127753	10/06/16



VIEW A-A



NO.	PART NAME	MATERIAL
1	BODY	SA-351 CF8M SA-312 TP 316
2	PIN	SA-193 GR B7, ZINC PL
3	EYE BOLT	SA-193 GR B7, ZINC PL
4	EYE NUT	SA-194 GR 2H, ZINC PL
5	COVER	SA-351 CF8M
6	O-RING P/N XL0000024	BUNA-N
7	RESTRAINER BASKET P/N L0001753	316 STAINLESS STEEL
8	2" ELBOW ASSEMBLY	316 STAINLESS STEEL
9	3" 150# MANIFOLDS	316 STAINLESS STEEL
10	2" 150# BALL VALVE	SEE NOTE 6
11	VESSEL ANGLE LEG SUPPORT	STAINLESS STEEL
12	SKID ASSEMBLY	STAINLESS STEEL
13	BAG HOLD DOWN	316 STAINLESS STEEL



VIEW B-B  
MOUNTING DETAIL

NOTES:

- UNITS ARE DESIGNED, FABRICATED AND "UM" STAMPED IN ACCORDANCE WITH THE ASME BOILER & PRESSURE VESSEL CODE SECTION VIII, DIVISION 1, IN COMPLIANCE TO CURRENT MANDATORY EDITION.
- MANIFOLD INLET/OUTLET FLANGED CONNECTIONS PER ANSI B16.5
- MAWP: 150 PSI @ 250° F MDMT: -20° F @ 150 PSI  
(10.3 BAR @ 121.1° C) (-28.9° C @ 10.3 BAR)
- INTER-CONNECTING VALVE HARDWARE WILL BE SUPPLIED.
- DIMENSIONS SHOWN IN [ ] ARE IN MILLIMETERS AND FOR REFERENCE ONLY. ACCEPTANCE OF THIS PART WILL BE BASED ON "INCH" UNITS & TOLERANCES ONLY.
- 2" SOCKET WELD BALL VALVES STAINLESS STEEL EATON STANDARD P/N RPV000018 & RPV000019 FULL PORT 3 PIECE.

CUSTOMER INFO		TOLERANCES (UNLESS OTHERWISE SPECIFIED)		DRAWN BY FJM		HYDRAULICS GROUP FILTRATION DIVISION GALESBURG, MICHIGAN, USA • TINTON FALLS, NEW JERSEY, USA	
NAME		DECIMAL:	.X ± .030 .XX ± .010 .XXX ± .005	SCALE AS DRAWN		TITLE MODULINE SIDELINE (MSBF-0202) FILTER VESSEL 3"-150# IN/OUT FLANGE MANIFOLD MATERIAL SS-316 W/BALL VALVES	
P.O. NO.		FRACTIONAL:	± 1/16	RESTRICTION RESTRICTED			
S.O. NO.		NOZZLE Q TO FLOOR:	1/8" < 4' > 1/4"	SHEET 1 OF 1		DATE 10/06/16	
QUANTITY		FACE TO FACE:	1/4" < 4' > 1/2"	PROJECTION THIRD ANGLE		SIZE B	
PART NO.	F3AVSB0402	ANGULAR:	± 1°	DATE 10/06/16		DWG FILENAME MSBF02XS	
		FLANGES (H/V):	± 1/2"	DATE 10/06/16		REV A	
		VESEL OVERALL HT:	1"	DATE 10/06/16		REV A	
		BOLT HOLES MUST STRADDLE Q		DATE 10/06/16		REV A	
		MACHINED PARTS TO BE FREE OF BURRS		DATE 10/06/16		REV A	
		FOR ADDITIONAL TOLERANCE DETAILS		DATE 10/06/16		REV A	
		REF. ES-211, ES-222 AND ES-223		DATE 10/06/16		REV A	
		REVIEWED FOR CLASSIFICATION PER PR-4		DATE 10/06/16		REV A	
		CRITICAL SIGNIFICANT		DATE 10/06/16		REV A	

EATON CORPORATION - CONFIDENTIAL AND PROPRIETARY NOTICE TO PERSONS RECEIVING THIS DRAWING AND/OR TECHNICAL INFORMATION  
THIS DOCUMENT, INCLUDING THE DRAWING AND INFORMATION CONTAINED THEREON IS CONFIDENTIAL AND IS THE EXCLUSIVE PROPERTY OF EATON AT ANY TIME. BY TAKING THE POSSESSION OF THIS DOCUMENT THE RECIPIENT ACKNOWLEDGES AND AGREES THAT THIS DOCUMENT CANNOT BE USED IN ANY MANNER ADVERSE TO THE INTEREST OF EATON AND THAT NO PORTION OF THIS DRAWING MAY BE COPIED OR OTHERWISE REPRODUCED WITHOUT THE PRIOR WRITTEN CONSENT OF EATON, IN THE CASE OF CONFLICTION CONTRACTUAL PROVISIONS, THIS NOTICE SHALL GOVERN THE STATUS OF THIS DOCUMENT.  
2014 EATON CORPORATION - ALL RIGHTS RESERVED.