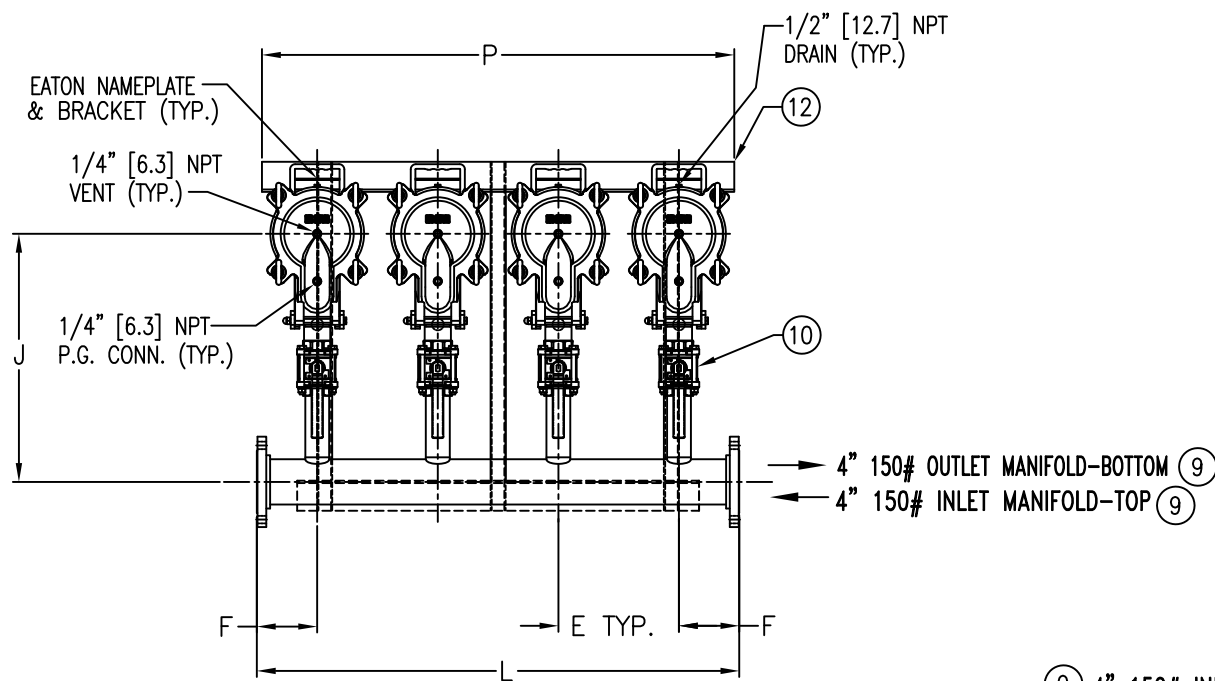


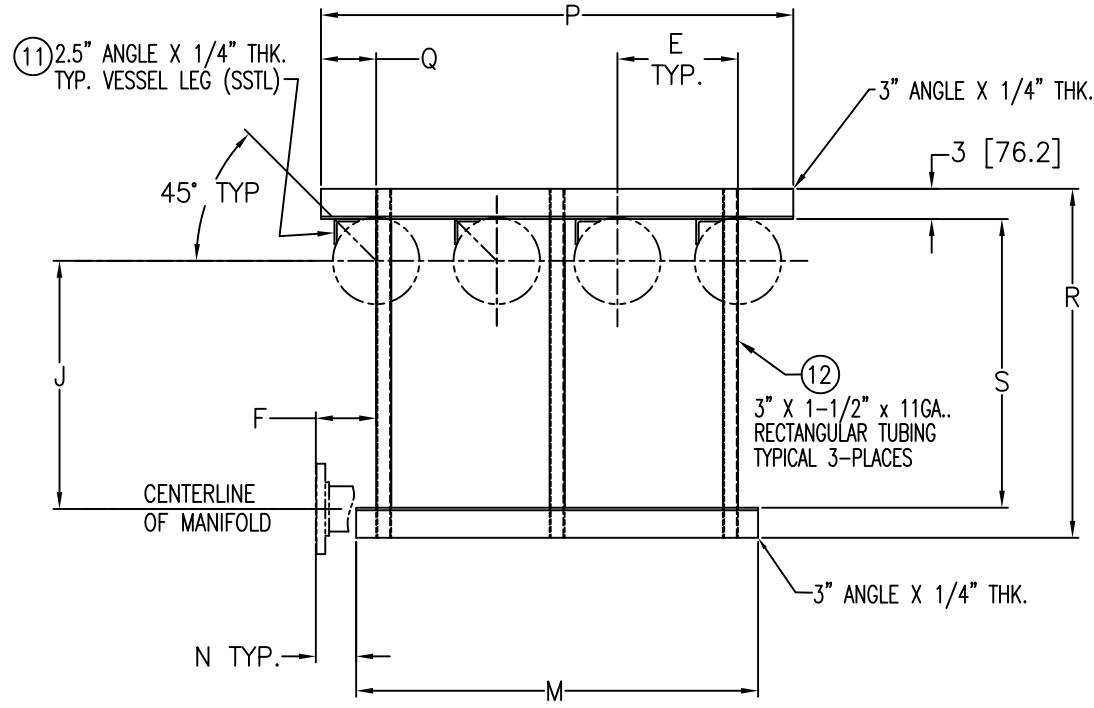
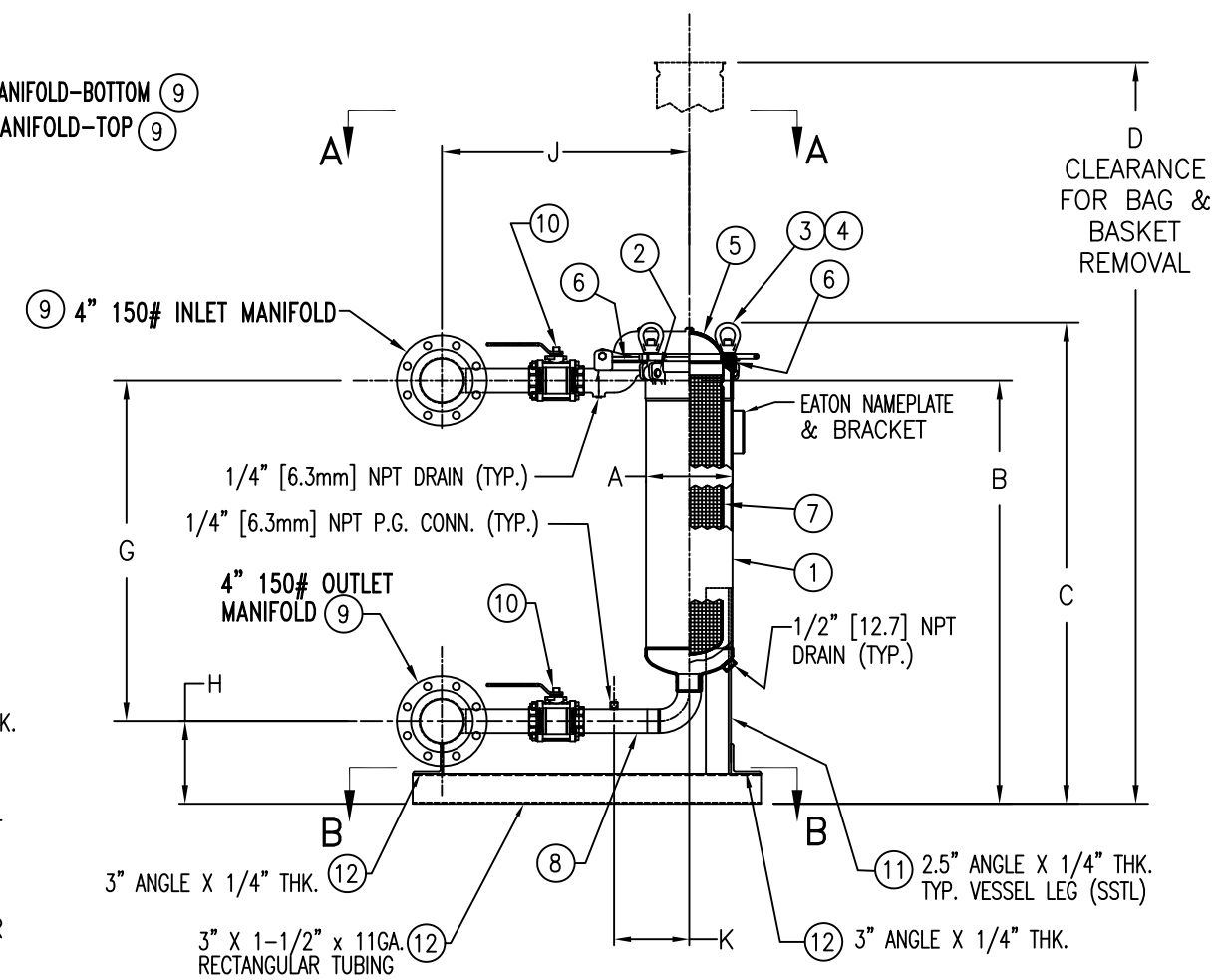
ITEM NUMBER	BAG SIZE	A IN. / MM	B IN. / MM	C IN. / MM	D IN. / MM	E IN. / MM	F IN. / MM	G IN. / MM	H IN. / MM	J IN. / MM	K IN. / MM	L IN. / MM	M IN. / MM	N IN. / MM	P IN. / MM	Q IN. / MM	R IN. / MM	S IN. / MM	WEIGHT LBS / KGS
F3AVTB0404	O2	8-5/8 / 219	42-1/4 / 1073	48 / 1219.2	74 / 1879.6	12 / 305	6 / 152.4	34 / 864	8-1/4 / 2.9.6	24-11/16 / 627	7-1/2 / 190.5	48 / 1219	40 / 1016	4 / 101.6	47 / 1194	5-1/2 / 140	34-3/4 / 882	28-3/4 730	630 / 285

REVISIONS

REV	DESCRIPTION	BY	ECO	DATE
A	NEW ISSUE	FJM	0030160	06/21/10
B	REVISED FROM 6" TO 4"	FJM	0089225	09/05/13
C	UPDATED DRAWING	FJM	0107180	02/03/15



VIEW A-A



VIEW B-B
MOUNTING DETAIL

NO.	PART NAME	MATERIAL
1	BODY	SA-351 CF8M SA-312 TP 316
2	PIN	SA-193 GR B7, ZINC PL
3	EYE BOLT	SA-193 GR B7, ZINC PL
4	EYE NUT	SA-194 GR 2H, ZINC PL
5	COVER	SA-351 CF8M
6	O-RINGS (2) (1) 811333 SMALL (1) L000024 LARGE	BUNA-N
7	RESTRAINER BASKET P/N L0001753	316 STAINLESS STEEL
8	2" ELBOW ASSEMBLY	316 STAINLESS STEEL
9	4" 150# MANIFOLDS	316 STAINLESS STEEL
10	2" 150# BALL VALVE	SEE NOTE 6
11	VESSEL ANGLE LEG SUPPORT	STAINLESS STEEL
12	SKID ASSEMBLY	STAINLESS STEEL

NOTES:

1. VESSEL DESIGNED, CONSTRUCTED, & "UM" STAMPED IN ACCORDANCE WITH ASME SECT. VIII, DIV. 1 LATEST EDITION AND ADDENDA.
2. MANIFOLD INLET/OUTLET FLANGED CONNECTIONS PER ANSI B16.5
3. MAWP: 150 PSI @ 250° F MDMT: -20° F @ 150 PSI
(10.3 BAR @ 121.1° C) (-28.9° C @ 10.3 BAR)
4. INTER-CONNECTING VALVE HARDWARE WILL BE SUPPLIED.
5. DIMENSIONS SHOWN IN [] ARE IN MILLIMETERS AND FOR REFERENCE ONLY. ACCEPTANCE OF THIS PART WILL BE BASED ON "INCH" UNITS & TOLERANCES ONLY.
6. 2" SOCKET WELD BALL VALVES STAINLESS STEEL EATON STANDARD P/N RPV000018 & RPV000019 FULL PORT 3 PIECE.

CUSTOMER INFO		TOLERANCES (UNLESS OTHERWISE SPECIFIED)		DRAWN BY FJM		HYDRAULICS GROUP FILTRATION DIVISION GALESBURG, MICHIGAN, USA • TINTON FALLS, NEW JERSEY, USA	
NAME		DECIMAL:	.X ± .030 .XX ± .010 .XXX ± .005	SCALE AS DRAWN		TITLE MODULINE TOPLINE (MTBF-0402) FILTER VESSEL 4"-150# IN/OUT FLANGE MANIFOLD MATERIAL SS-316 W/BALL VALVES	
P.O. NO.		FRACTIONAL:	± 1/16	RESTRICTION RESTRICTED			
S.O. NO.		NOZZLE Q TO FLOOR:	1/2" < 4' > 1/2"	SHEET 1 OF 1		DATE 04/27/09	
QUANTITY		FACE TO FACE:	1/4" < 4' > 1/4"	PROJECTION THIRD ANGLE		SIZE B	
PART NO.	F3AVTB0404	ANGULAR:	± 1°	DWG FILENAME MTBF04XS		REV C	
		FLANGES (H/V):	± 1/2"	DATE 04/27/09		SIZE B	
		VESSEL OVERALL HT:	1"	DWG FILENAME MTBF04XS		REV C	
		BOLT HOLES MUST STRADDLE Q MACHINED PARTS TO BE FREE OF BURRS FOR ADDITIONAL TOLERANCE DETAILS REF. ES-211, ES-222 AND ES-223		DATE 04/27/09		SIZE B	
		REVIEWED FOR CLASSIFICATION PER PR-4		DATE 04/27/09		SIZE B	
		CRITICAL SIGNIFICANT		DATE 04/27/09		SIZE B	

EATON CORPORATION - CONFIDENTIAL AND PROPRIETARY NOTICE TO PERSONS RECEIVING THIS DRAWING AND/OR TECHNICAL INFORMATION... THIS DOCUMENT, INCLUDING THE DRAWING AND INFORMATION CONTAINED THEREIN IS CONFIDENTIAL AND IS THE EXCLUSIVE PROPERTY OF EATON AT ANY TIME. BY TAKING THE POSSESSION OF THIS DOCUMENT THE RECIPIENT ACKNOWLEDGES AND AGREES THAT THIS DOCUMENT CANNOT BE USED IN ANY MANNER ADVERSE TO THE INTEREST OF EATON AND THAT NO PORTION OF THIS DRAWING MAY BE COPIED OR OTHERWISE REPRODUCED WITHOUT THE PRIOR WRITTEN CONSENT OF EATON, IN THE CASE OF CONFLICTION CONTRACTUAL PROVISIONS, THIS NOTICE SHALL GOVERN THE STATUS OF THIS DOCUMENT. 2014 EATON CORPORATION - ALL RIGHTS RESERVED.