

Denver SRL®

Rubber replacement parts





Denver SRL®

Pump rubber replacement parts

A comprehensive line of soft rubber-lined pumps designed to fit a wide range of pumping applications from corrosive to abrasive slurries.

Rubber wear parts

With over 60 years of experience from thousands of applications we have made continuous improvements to our products.

The benefits to the customers are numerous but most significant is the life time cost saving that will be achieved by using Metso's slurry pumps.

World class production

- Well made products
- Engineering standards
- Manufacturing standards
- Quality assurance
- Modern facilities
- Short lead times
- Parts in stock

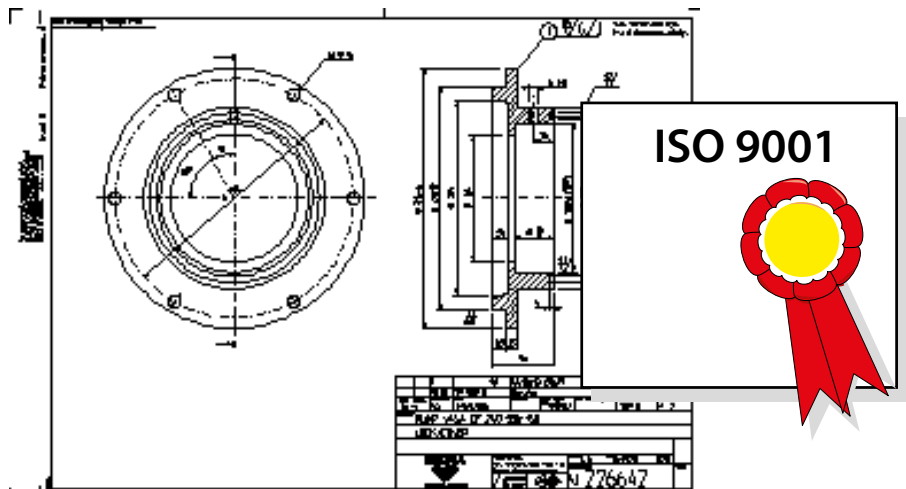
Denver SRL pumps are also backed by fully trained field engineers who can troubleshoot problems or provide routine maintenance.

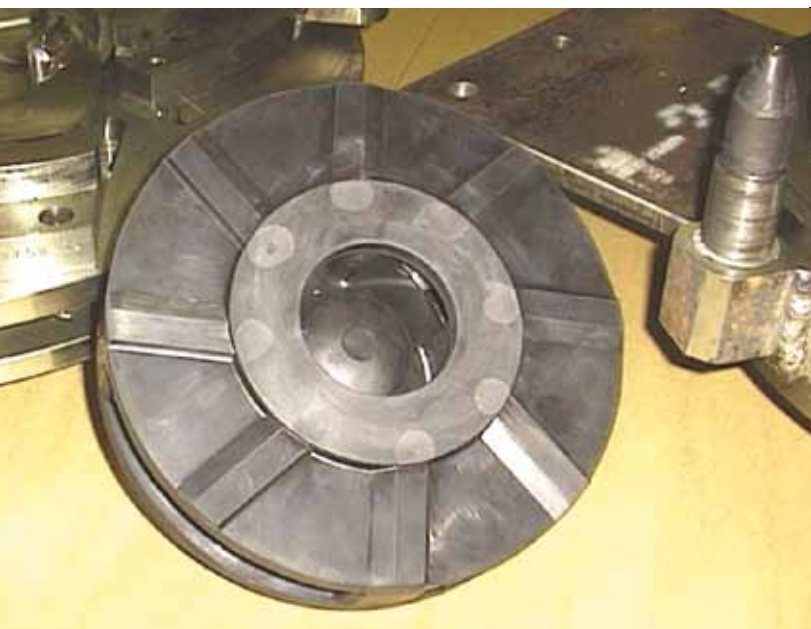
Spare parts are communally available from our stock inventory.

Placing a part order

When placing a parts order, you can help assure correct identification of your parts by providing the following information:

1. Machine description and size
2. Serial number or original Denver number
3. Part number and description
4. Type of construction material
5. Parts list drawing number used to identify required parts.





Production in modern facilities

The production of rubber spare parts is made in a modern facility. All equipment is of a high standard and the production is controlled by SPC (Statistical Process Control). This ensures consistently high product quality.

World class production:

- Well made products
- Engineering standards
- Manufacturing standards
- Quality assurance iso 9001
- Environment iso14000

Rubber Qualities

Metso can supply a number of different materials for slurry pumping. The most common natural rubber. All parts are moulded in the most appropriate materials to meet the duty requirements. With modern equipment and in house production facilities, Metso has developed rubber to optimize service life. Amongst the tools used for testing of elastomer components are:

- Thermogravimetric analyzer
- Gas chromatograph
- Elastomer rheometer
- Relax compression

Storing of parts

All standard rubber wear parts are stocked items. For special rubber compounds Metso has steel inserts in stock to reduce production time.

All warehouses worldwide are connected to a state of the art inventory management system to maximize availability. Original Spare Parts are marked with article numbers and date to allow easy stock rotation at the customers warehouse.

Rubber parts for pumps standard qualities

Trade name	Type	Rubber no.	Skega code		Sala code
ElastaPact	Natural	61 50 068	168	High strength impeller	M1
ElastaSlide	Natural	61 40 010	110	Soft liner material	M1
Special Qualities					
	Natural	61 40 092	192	Handlaying material	M1
MeroPrene	Chloropren	64 50 052	452	Brand name Neoprene	M3
	Chloropren	64 50 050	450	Handlaying material	M3
MeroLen	EPDM	70 50 016	016	Etan-propen rubber	M8
	Chloro-Butyl	62 60 170	270		M4
	Nitrile	63 60 006	306		M5
Polyurethane					M7

Parts designation

61 50 068 gives material code 168.

Example: 61 50 068, 61 = rubber type, 50 shore hardness, 068 register no.

All rubber parts are marked with a white pen, letter Z-1999, A-2000, B-2001 etc. and a week number, with the rubber material code before year code. 20 mm high.

Example: 168B42



Gas chromatograph



Rheometer



Thermogravimetric analyser

SRL PUMPS		US Detail dwg	Part No US Natural MS 27001 *MS 27005	MS 27501= Butyl Neopren MS 27201 (Chloroprene)	Chlorobutyl MS 27101 * MS 27501	Hypalon MS 27601	UK Part no.	Skega Part no.	Std. Mtrl. Code	Net Weight
1" x 1"	Impeller	F7735	504260	504261	545031 *	568988	PLLF15031	521401	168	1,9
	SS Liner	F7736	504262	504263	545033 *	568989	PLLF15032	521402	110	5,0
	GS Liner	F7737	504255	504256	545032 *	568990	PLLF15033	521403	110	4,9
2" x 2"	Impeller	F7738	504419	504420	545030 *	568991	PLLF15028	521404	168	2,3
	SS Liner	F7739	504421	504422	203414 *	301528	PLLF15029	521405	110	5,5
	GS Liner	F7740	504417	504418		568992	PLLF15030	521406	110	5,5
3" x 3"	Impeller	F2880	504500	504501	584959 *		PLLF15004	521407	168	3,8
	SS Liner	F7697	504503	504504	584961 *		PLLF15005	521408	110	9,9
	GS Liner	F7698	504498	504499	584960 *		PLLF15006	521409	110	10,0
4" x 3"	Impeller	F7699	504755	504756		504733	PLLF15007	521410	168	7,9
	SS Liner	F8234	504757	504758	560971	568993	PLLF15008	521411	110	14,7
	GS Liner	F7701	504753	504754	560969	568987	PLLF15009	521412	110	15,1
5" x 4"	Impeller	F2938	504828	504829	300896 *	568986	PLLF15003	520000	168	16,1
	SS Liner	G3514	504830	504831	300900	300897	PLLH15967	521413	110	17,6
	GS Liner	G3513	504826	504827	300897	586994	PLLH15968	521414	110	17,9
5" x 5"	Impeller	G1373	504563	504564	578935	578935	PLLH15970	521415	168	8,3
	SS Liner	G3509	504579	504580	578936		PLLH15972	521416	110	21,3
	GS Liner	G3510	504548	504549			PLLH15969	521417	110	22,0
6" x 6"	Impeller	F2913	504637	504638	578069		PLLF15002	521418	168	13,9
	SS Liner	G3511	504650	504651	578070		PLLH15973	521419	110	32,5
	GS Liner	G3512	504625	504626			PLLH15971	521420	110	32,3
8" x 6"	Impeller	F8385	504889	504890	548908 *		PLLF15011	521422	168	24,0
	SS Liner	D25655	504907	504908	548909 *		PLLF15012	521423	110	20,2
	GS Liner	D22228	504874	504875	548907 *		PLLF15013	521424	110	33,3
	SS Plate	F3547	504905	504906			PLLF15014	521425	110	33,2
10" x 8"	Impeller	H17334	504978	504979	548868 *		PLLF15017	521426	168	36,5
	SS Liner	H17324	504997	504998	548869*		PLLF15018	521427	110	33,1
	GS Liner	H17326	504996	504967	548864 *		PLLF15019	521428	110	54,3
	SS Plate	F3427	504994		548870 *		PLLF15016	521429	110	38,9
12" x 10"	Impeller	F4767	503735	503736			PLLF15015	521430	168	104,2
	SS Liner	F7764	505475	505476			PLLF15020	520005	110	66,1
	GS Liner	F7763	505447	505448			PLLF15021	520006	110	72,4
	Throat ring	B12082	505467	505468			PLLB15646	520007	110	8,5
14" x 12"	Impeller	F5300	503805	503806			PLLF15022	521434	168	110,0
	SS Liner	F7642	505535	505536			PLLF15049	521179	110	89,0
	GS Liner	F7641	505531	505532			PLLF15024	521180	110	100,8
	Throat ring	B11934	505533	505334			PLLB15684	521181	110	14,3
16" x 14"	Impeller	H7339	505579	532342			PLLH15985	521474	168	144,3
	SS Liner	F7775	505581	505582			PLLF15025	521475	110	104,4
	GS Liner	F7776	505570	505571			PLLF15026	521476	110	118,0
	Throat ring	B12109	505602	505603			PLLB15640	521477	110	15,6
18" x 16"	Impeller	H10633	503984 *				PLLH 8878	521507	168	253,3
	SS Liner	H9145	503986				PLLH15983	521508	110	176,0
	GS Liner	H9144	503982				PLLH15984	521509	110	179,6
	Throat ring	H13099					PLLH15982	521510	110	53,6
	Skega material	Code	Skega material	Code	Skega material	Code				
	61 50 068	168	64 50 052	452	69 60 009	909				
	61 40 010	110	62 60 170	270						





- **Metso Minerals (Sweden) AB**
Norrängsgatan 2, SE-733 38 Sala, Sweden, Phone: +46 224 570 00, Fax: +46 224 169 50
- **Metso Minerals Industries Inc.**
4820 Centennial Blvd, Suite 115, Colorado Springs, Co 80919-3351, USA, Phone: +1 719 471 3443, Fax: +1 719 471 4469
- **Metso Minerals Industries Inc.**
P.O. Box 96, Birmingham, AL 35201, USA, Phone: +1 205 599 6600, Fax: +1 205 599 6623
- **Metso Minerals (South Africa) (Pty) Ltd.**
Private Bag X2006, Isando, Johannesburg, 1600, South Africa, Phone: +27 11 961 4000, Fax: +27 11 397 2050
- **Metso Minerals (Australia) Ltd.**
Level 2, 1110 Hay Street, West Perth, WA 6005, Australia, Phone: +61 8 9420 5555, Fax: +61 8 9320 2500
- **Metso Minerals (India) Pvt Ltd**
1th floor, DLF Building No. 10, Tower A, DLF Cyber City, Phase - III, Gurgaon - 122 002, India, Phone: +91 124 235 1541, Fax: +91 124 235 1601
- **Metso Perú S.A.**
Calle 5 Nro. 144, Urb. Industrial Vulcano, Ate, Lima 03, Peru, Phone: +51 1 313 4366, Fax: +51 1 349 0913
- **Metso Minerals (Chile) S.A.**
Av. Los Conquistadores 2758, - Piso 3, Providencia, Santiago, Chile, Phone: +56 2 370 2000, Fax: +56 2 370 2039
- **Metso Brasil Indústria e Comércio Ltda.**
Av. Independência, 2500 Éden, 18087-101 Sorocaba-SP - Brazil, Phone: +55 15 2102 1300



www.metso.com
E-mail: minerals.info@metso.com
Pumps information at
www.metso.com/pumps