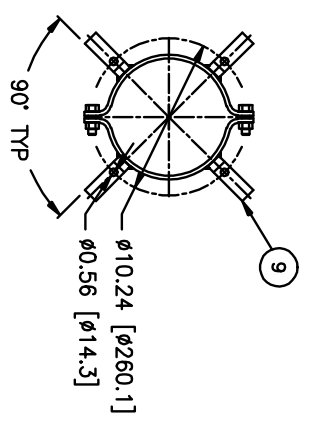
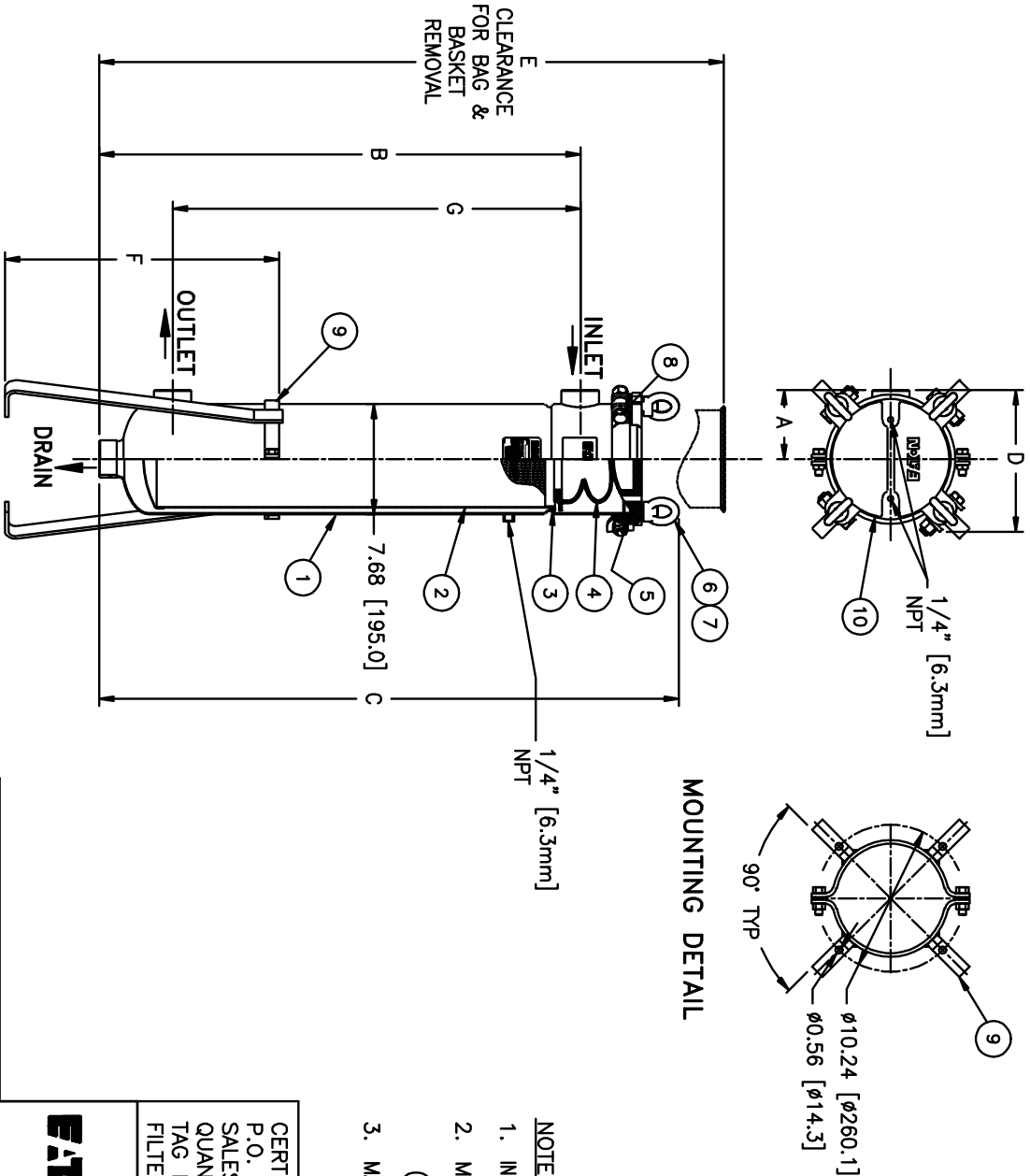


ITEM NUMBER	VESSEL CODE	BAG SIZE	A IN. / MM	B IN. / MM	C IN. / MM	D IN. / MM	E IN. / MM	F IN. / MM	G IN. / MM	FLOW RATE GPM (MAX)	WEIGHT LBS / KGS						
SBL101S42NSSBSP0	FRF2-0101-BB10-020N-L	01	4.80	122	18.39	467	25.25	641	9.88	251	35.55 / 903	19.10 / 485	11.5	292	90	37	16.8
SBL102S42NSSBSP0	FRF2-0102-BB10-020N-L	02	4.80	122	33.55	852	40.41	1026	9.88	251	66.50 / 1689	19.10 / 485	28.4	721	180	50	22.7



**MOUNTING DETAIL**

NO.	PART NAME	MATERIAL
1	BODY	304 STAINLESS STEEL
2	RESTRAINER BASKET	316 STAINLESS STEEL
3	BASKET O-RING	BUNA-N
4	BAG HOLD DOWN	KYNAR PUDF
5	O-RING	BUNA-N
6	EYE BOLT	STEEL, ZINC PLATED
7	EYE NUT	STEEL, ZINC PLATED
8	BOLT	STEEL, ZINC PLATED
9	LEGS	CARBON STEEL
10	COVER	304 STAINLESS STEEL

**NOTES:**

1. INLET/OUTLET/DRAIN 2" NPT CONNECTIONS
2. MAWP: 150 PSI @ 250° F (-20° F @ 150 PSI (10.3 BAR @ 121.1° C) (-28.9° C @ 10.3 BAR) MIDMT:
3. MAXIMUM OPERATING TEMP. 250° F (121.1° C)

CERTIFIED FOR:  
P.O. NO.:  
SALES ORDER NO.:  
QUANTITY:  
TAG NO.:  
FILTER BAG:

**EATON**  
**EATON FILTRATION, LLC**  
70 WOOD AVENUE SOUTH, ISELIN, NEW JERSEY 08830

NAME: FLOWLINE II FILTER VESSEL  
2" NPT THREADED CONNECTION  
STAINLESS STEEL-304

SIZE	DWG NO	DATE	CERT.	DATE	REV
A	FBF211XS-DPSS0304	02/11/10			A

UNAUTHORIZED USE, MANUFACTURE OR REPRODUCTION IN WHOLE OR IN PART IS PROHIBITED. DRAWING, DESIGN AND OTHER DISCLOSURES PROPERTY OF EATON FILTRATION, LLC

ELECTRONIC FILE NAME: FBF211XS-DPSS0304.dwg  
REF. EOR DATE 02/11/10