

WD2S Series Factory Sealed Disconnect Switches

Fused and Non-Fused

No External Seals Required.

NEC/CEC — Unfused:

Class I, Division 2, Groups B, C, D
Class II, Division 1 and 2, Groups E, F, G
Ex de IIB + H₂; Class I, Zone 1, AEx de IIB + H₂ T5
Types 3, 4, 4X, 5

NEC/CEC — Fused:

Class I, Division 2, Groups B, C, D
Class II, Division 1 and 2, Groups E, F, G
Types 3, 4, 4X, 5

Applications

- Functions as load disconnect switch or as individual motor control switch.

Features

- Factory sealed; no external seals required.
- Available fused and non-fused versions.
- Stainless steel latches for easy access and corrosion resistance.
- Standard epoxy powder coating delivers exceptional corrosion resistance.
- Ergonomically designed rugged cast aluminum handle.
- Removable hinged cover allows for ease of installation and maintenance.
- Short circuit withstand rated to 10,000 RMS symmetrical amperes (unfused).
- Single top and bottom conduit entries supplied, drilled and tapped 1-1/4" NPT.
- Key-hole mounting feet for easy installation.
- Unit is equipped with defeatable door interlock which allows emergency access when switch is energized.
- Cover can be padlocked closed.
- Operating handle can be locked in the OFF position with provision to lock in the ON position.
- Line side accommodates #8–#4/0 AWG copper wire. Load side accommodates #8–#4/0 copper wire.
- 100 Amp models and smaller are suitable for use with DC voltages (250 Vdc Max) as well as AC voltages.
- All models are suitable for use with AC voltages to 600 Vac max.

Standard Materials

- Enclosure: copperfree (4/10 of 1% max.) aluminum
- Operating handle: durable cast aluminum
- Hardware: stainless steel

Standard Finishes

- Enclosure: epoxy powder coating

Options

Must be listed in alphanumeric sequence at the end of the catalog number.

- Auxilliary Contacts. One set of NO/NC contacts. Add suffix **-AUX**.
- Breather/Drain. Factory installed. Add suffix **-BD**.
- LED indicator lights: one light indicates there is power to unit and other indicates switch is in ON position add suffix **-IL**.

NEC/CEC Certifications and Compliances

- CSA Standard: C22.2 No. 4
- UL Standard: UL 698
- cCSAus Certified: 039569




WD2S Series Factory Sealed Disconnect Switches

Fused and Non-Fused

No External Seals Required.

NEC/CEC – Unfused:
 Class I, Division 2, Groups B, C, D
 Class II, Division 1 and 2, Groups E, F, G
 Ex de IIB + H₂; Class I, Zone 1, AEx de IIB + H₂ T5
 Types 3, 4, 4X, 5

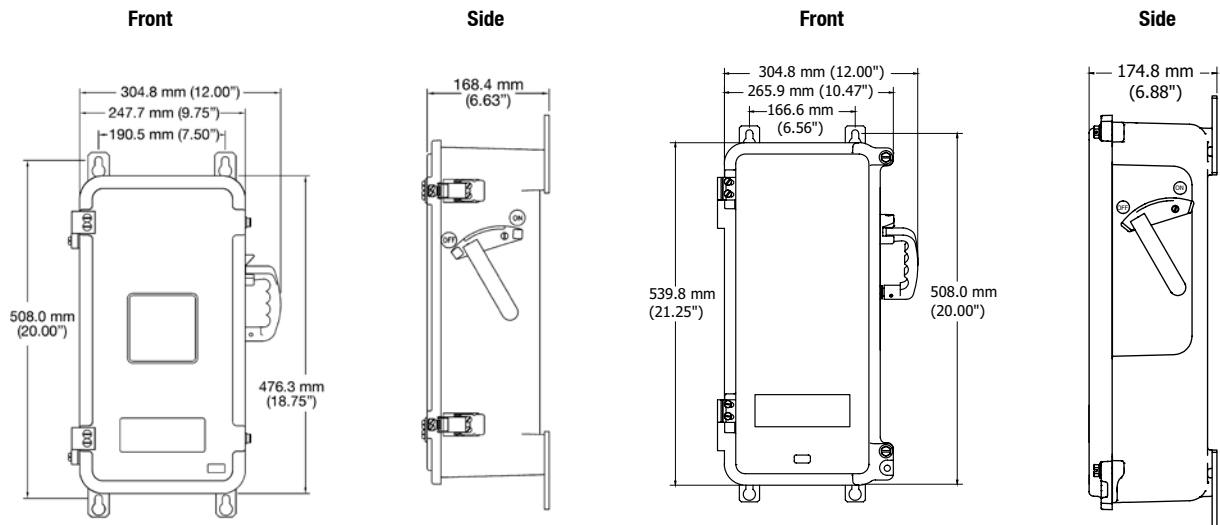
NEC/CEC – Fused:
 Class I, Division 2, Groups B, C, D
 Class II, Division 1 and 2, Groups E, F, G
 Types 3, 4, 4X, 5

	Amps	Max 240 Vac	HP 480 Vac	600 Vac	Catalog Number	
					Fused ①	Non-Fused
	30	7.5	15	20	WD2S3034F	WD2S3034
	60	15	30	50	WD2S6034F	WD2S6034
	100	25	40	50	WD2S1034F	WD2S1034
	200	—	—	—	—	WD2S20034

Operating Temperatures

Classification	T Number
Class I, Division 2	T3C
Class II, Division 1 and 2	T6

Dimensions in Millimeters (Inches)



WD2S3034F, WD2S6034F, WD2S3034,
 WD2S6034, WD2S1034, WD2S20034

WD2S1034F

① Fuses not included in fused units. For maximum horsepower please consult fuse manufacturer.