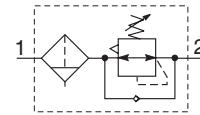
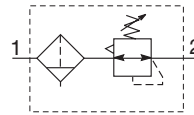


Filter / Regulator B90



Symbols

= "Most Popular"



Features

- Integral 3/4" or 1" ports (BSPP or NPT)
- High efficiency element as standard
- Excellent water removal efficiency
- Robust but lightweight aluminum construction
- Secondary pressure ranges 12 and 16 bar
- Rolling diaphragm for extended life
- Secondary aspiration plus balanced poppet provides quick response and accurate pressure regulation
- Reverse flow / relieving option
- Low temperature -40° with combined manual / semi-auto drain as standard

B

Filters, Regulators, Lubricators

B90 - 0 6 - A H 0 0

Series	Thread type*	Port size	Function / pressure range	Bowl / drain type	Option
Filter / Regulator Combination B90	NPT 0 BSPP C	3/4 6 1 8	A Relieving / 0 to 174 PSI H Relieving / 0 to 232 PSI	H Metal bowl / sight gauge & auto drain L Metal bowl / sight gauge / manual & semi auto drain	0 None G Pressure Gauge A† Lockable type

Notes:
 * For 1-1/2" ported unit, please order P3YKA*BCP port block kit separately.
 † Not field convertible.

Bold items are most common.

Ordering information

Port size	Description	Flow ‡ scfm	Max. bar (psig)	Min temp °C (°F)	Max temp °C (°F)	Bowl capacity cm ³ (oz)	Height mm (inches)	Width mm (inches)	Depth mm (inches)	Weight kg (lb)	Part number †
3/4"	12 bar, relieving, combined manual / semi auto drain	335	17.5 (254)	-40 (-40)	60 (140)	130 (4.4)	345 (13.5)	90 (3.5)	94 (3.7)	1.5 (3.3)	B90-06-AL00
3/4"	12 bar, relieving, auto drain	335	17.5 (254)	-10 (14)	60 (140)	130 (4.4)	345 (13.5)	90 (3.5)	94 (3.7)	1.5 (3.3)	B90-06-AH00
3/4"	12 bar, relieving, gauge, combined manual / semi auto drain	335	17.5 (254)	-10 (14)	60 (140)	130 (4.4)	345 (13.5)	90 (3.5)	94 (3.7)	1.5 (3.3)	B90-06-ALG0
3/4"	12 bar, relieving, gauge, auto drain	335	17.5 (254)	-10 (14)	60 (140)	130 (4.4)	345 (13.5)	90 (3.5)	94 (3.7)	1.5 (3.3)	B90-06-AHG0
1"	12 bar, relieving, combined manual / semi auto drain	465	17.5 (254)	-40 (-40)	60 (140)	130 (4.4)	345 (13.5)	90 (3.5)	94 (3.7)	1.5 (3.3)	B90-08-AL00
1"	12 bar, relieving, auto drain	465	17.5 (254)	-10 (14)	60 (140)	130 (4.4)	345 (13.5)	90 (3.5)	94 (3.7)	1.5 (3.3)	B90-08-AH00
1"	12 bar, relieving, gauge, combined manual / semi auto drain	465	17.5 (254)	-10 (14)	60 (140)	130 (4.4)	345 (13.5)	90 (3.5)	94 (3.7)	1.5 (3.3)	B90-08-ALG0
1"	12 bar, relieving, gauge, auto drain	465	17.5 (254)	-10 (14)	60 (140)	130 (4.4)	345 (13.5)	90 (3.5)	94 (3.7)	1.5 (3.3)	B90-08-AHG0

† **Standard part numbers shown in bold. For other models refer to Options chart above.**
 ‡ Flow with 10 bar (145 psig) inlet pressure, 6.3 bar (91.4 psig) set pressure and 1 bar (14.5 psig) pressure drop.
 Lockable regulators will require key lock kit (opposite page).

Specifications

Fluid	Compressed air	
Maximum inlet pressure*	17.5 bar (254 psig)	
Temperature range*:		
Auto drain	-10°C to 60°C (14°F to 140°F)	
Combined drain	-40°C to 60°C (-40°F to 140°F)	
Particle removal	5 micron	
Air quality	Within ISO 8573-1: 1991 Class 3 and 5 (particulates) Within ISO 8573-1: 2001 Class 6 and 7 (particulates)	
Typical flow with 10 bar (145 psig) inlet pressure and 6.3 bar (91 psig) set pressure and 0.5 bar (7.3 psig) pressure drop	1" size 465 scfm	
Manual / semi-auto drain	Closed at 0.8 bar (11.6 psig) G1/8 thread male	
Auto drain bowl pressure to close drain	0.8 bar (11.6 psig)	
Operating range manual override facility	0.8 bar (11.6 psig) to 17.5 bar (254 psig)	
Bowl capacity	130 cm ³ (4.4 US oz)	
Gauge ports (x2)	1/4"	

* Air supply must be dry enough to avoid ice formation at temperatures below 2°C (35.6°F).

Material specifications

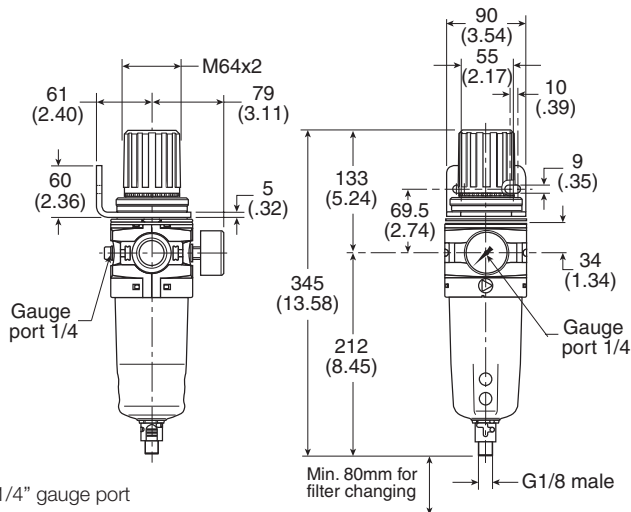
Body	Aluminum	
Sight glass	Polypropylene	
Body cover	ABS	
Element	Sintered polypropylene	
Seals	Nitrile NBR	
Drains	Manual / semi-auto:	Acetal
	Automatic:	PA / Ø 10mm brass connection
Bonnet	Glass filled polyamide	
Control knob	Glass filled polyamide	
Valve	Brass / NBR	
Screws	Steel / zinc plated	

CAUTION:

REGULATOR PRESSURE ADJUSTMENT – The working range of knob adjustment is designed to permit outlet pressures within their full range. Pressure adjustment beyond this range is also possible because the knob is not a limiting device. This is a common characteristic of most industrial regulators, and limiting devices may be obtained only by special design.

For best performance, regulated pressure should always be set by increasing the pressure up to the desired setting.

Dimensions mm (inches)



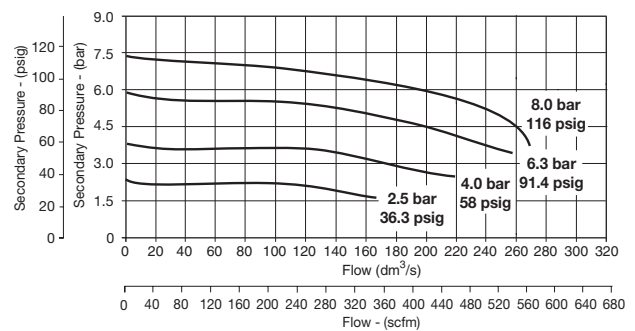
* 1/4" gauge port

Service kits

- 5 micron element kit.....P3YKA00ESE
- Bowl kit
 - Manual/semi auto drain (combined) P3YKA00BSC
 - Auto drainP3YKA00BSA
- Key lock kit P3XKA00AS
- Diaphragm kit
 - Relieving type.....P3YKA00RR
 - Non-relieving typeP3YKA00RN
- Angle bracket + metal lock ring P3YKA00MS
- Panel mount nut.....P3YKA00MM

Flow characteristics

(3/4") 5 Micron Filter / Regulator



(1") 5 Micron Filter / Regulator

