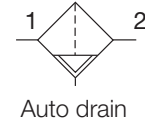
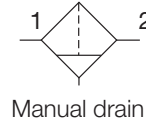


Particulate Filter - 90 Series



Symbols



- Integral 3/4" or 1" ports (NPT & BSPP)
- High efficiency particulate element as standard
- Excellent water removal efficiency
- Robust but lightweight aluminum construction
- Low temperature -40° with combined manual / semi-auto drain as standard

Options

| | | | | | | | | |
|------------------------------------|---|--|--|---|-------------------------------------|--|----------|----------|
| F90 | - | 0 | 6 | - | S | H | 0 | 0 |
| Series Filter F90 | | Thread type* NPT 0 BSPP C | Port size 3/4 6 1 8 | | Element 5 micron S | Bowl / drain type H Metal bowl / sight gauge & auto drain L Metal bowl / sight gauge / manual & semi auto drain | | |

***Note:** For 1-1/2" ported unit, please order P3YKA*BCP port block kit separately.
Bold items are most common.

Ordering information

| Port size | Description | Flow [‡] scfm | Max. bar (psig) | Min temp °C (°F) | Max temp °C (°F) | Bowl capacity cm ³ (oz) | Height mm (inches) | Width mm (inches) | Depth mm (inches) | Weight kg (lb) | Part number [†] |
|-----------|-----------------------------------|------------------------|-----------------|------------------|------------------|------------------------------------|--------------------|-------------------|-------------------|----------------|--------------------------|
| 3/4" | Combined manual / semi auto drain | 170 | 17.5 (254) | -40 (-40) | 60 (140) | 130 (4.4) | 244 (9.6) | 90 (3.5) | 94 (3.7) | 0.9 (1.98) | F90-06-SL00 |
| 3/4" | Auto drain | 170 | 17.5 (254) | -10 (14) | 60 (140) | 130 (4.4) | 244 (9.6) | 90 (3.5) | 94 (3.7) | 0.9 (1.98) | F90-06-SH00 |
| 1" | Combined manual / semi auto drain | 170 | 17.5 (254) | -40 (-40) | 60 (140) | 130 (4.4) | 244 (9.6) | 90 (3.5) | 94 (3.7) | 0.9 (1.98) | F90-08-SL00 |
| 1" | Auto drain | 170 | 17.5 (254) | -10 (14) | 60 (140) | 130 (4.4) | 244 (9.6) | 90 (3.5) | 94 (3.7) | 0.9 (1.98) | F90-08-SH00 |

[†] Standard part numbers shown in bold. For other models refer to Options chart above.

[‡] Flow with 6.3 bar (91.4 psig) inlet pressure and 0.5 (7.3 psig) pressure drop.

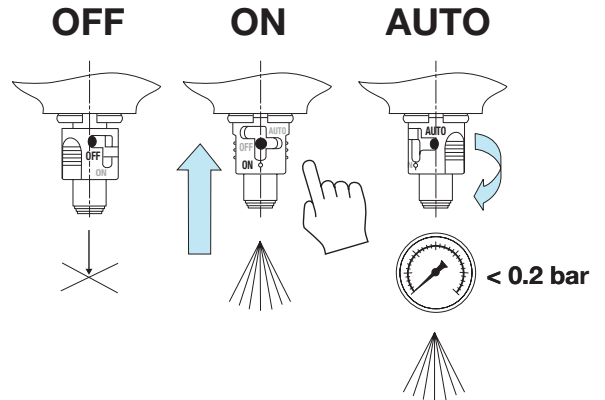
Specifications

| | | |
|---|--|------------------|
| Fluid | Compressed air | |
| Maximum inlet pressure* | 17.5 bar (254 psig) | |
| Temperature range*: | | |
| Auto drain | -10°C to 60°C (14°F to 140°F) | |
| Combined drain | -40°C to 60°C (-40°F to 140°F) | |
| Particle removal | 5 micron | |
| Air quality | Within ISO 8573-1: 1991 Class 3 and 5 (particulates) Within ISO 8573-1: 2001 Class 6 and 7 (particulates) | |
| Typical flow 5 micron element | 1" port | |
| 6.3 bar (91.4 psig) inlet pressure and | 170 scfm | |
| 0.5 bar (7.3 psig) pressure drop | | |
| Manual / semi-auto drain | Closed at 0.8 bar (11.6 psig) | G1/8 thread male |
| Auto drain bowl pressure to close drain | 0.8 bar (11.6 psig) | |
| Operating range | 0.8 bar (11.6 psig) to | |
| manual override facility | 17.5 bar (254 psig) | |
| Bowl capacity | 130 cm ³ (4.4 US oz) | |

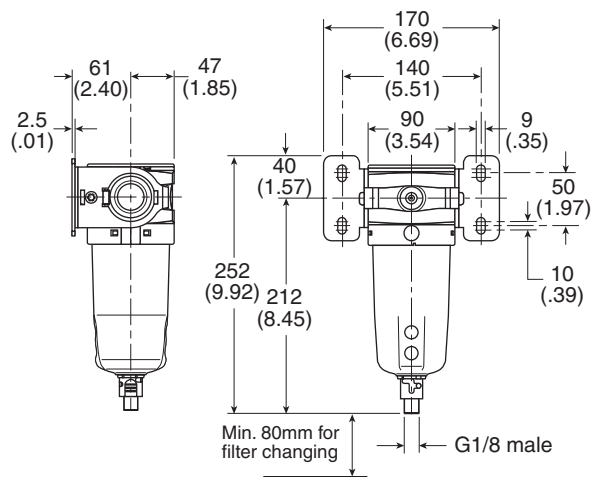
* Air supply must be dry enough to avoid ice formation at temperatures below 2°C (35.6°F).

Material specifications

| | | |
|-------------|---------------------|------------------------------|
| Body | Aluminum | |
| Sight glass | Polypropylene | |
| Body cover | ABS | |
| Element | Sintered P.E. | |
| Seals | Nitrile NBR | |
| Drains | Manual / semi-auto: | Acetal |
| | Automatic: | PA / Ø 10mm brass connection |



Dimensions mm (inches)

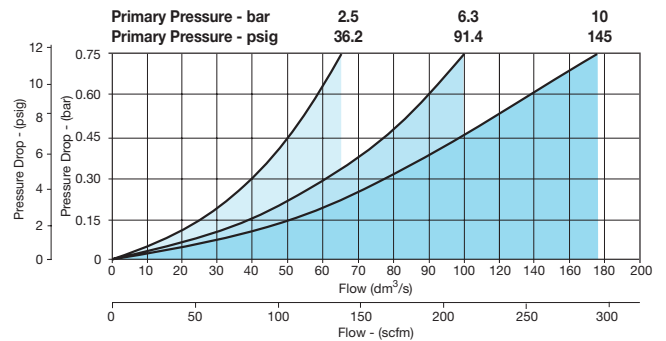


Service kits

| Description | Part number |
|---|-------------------|
| 5 micron element kit | P3YKA00ESE |
| 40 micron element kit | P3YKA00ESG |
| Bowl kit with combined manual / semi auto drain | P3YKA00BSC |
| Bowl kit with auto drain | P3YKA00BSA |

Flow characteristics

(3/4") Filter



(1") Filter

