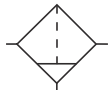


# Coalescing Filter M03

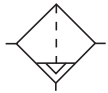
= "Most Popular"

**B**

Filters, Regulators, Lubricators



Manual Drain



Auto Drain



**M03-02-000**

## Features

- Removes Liquid Aerosols and Sub-micron Particles
- Liquids Gravitate to the Bottom of the Element and Will Not Re-enter the Airstream
- Oil Free Air for Critical Applications, such as Air Gauging and Pneumatic Instrumentation and Controls

## Specifications

Flow Capacity*	1/8	17.0 SCFM (8 dm <sup>3</sup> /s)
	1/4	20.0 SCFM (9 dm <sup>3</sup> /s)
Maximum Supply Pressure		
Polycarbonate Bowl		0 to 150 PSIG (0 to 10.3 bar)
Metal Bowl		0 to 250 PSIG (0 to 17.2 bar)
Piston Drain		10 to 250 PSIG (0.7 to 17.2 bar)
Operating Temperature		
Polycarbonate Bowl		32°F to 125°F (0°C to 52°C)
Metal Bowl		32°F to 175°F (0°C to 80°C)
Piston Drain		32°F to 125°F (6°C to 52°C)
Port Size	NPT	1/8, 1/4
Standard Filtration	Micron	(B) 1.0, (C) 0.01 (D) 0.003 ppm / wt**
Weight		.41 lb. (.18 kg)

\* Inlet pressure 90 PSIG (6.2 bar). Pressure drop 5 PSID (0.3 bar).

\*\*Filtration temperature of 70°F (21°C) @ 100 PSIG (6.9 bar) with typical compressor lubricating oil and protected by Type C filter.

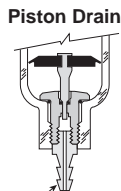
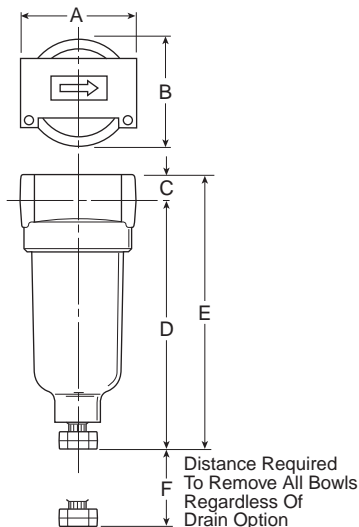
**"M" Series Coalescing Filters, with Type "B" 1 micron elements:** All Wilkerson Type "M" Oil Removal (Coalescing) Filters with Type "B" 0.5 micron elements **exceed ISO Class 2** for maximum particle size and concentration of solid contaminants, and exceed Class 3 on maximum oil content (ppm/wt).

**"M" Series Coalescing Filters, with Type "C" 0.01 micron elements:** All Wilkerson Type "M" Oil Removal (Coalescing) Filters with Type "C" 0.01 micron elements **exceed ISO Class 1** for maximum particle size and concentration of solid contaminants, and exceed Class 1 on maximum oil content (ppm/wt).

**"M" Series Adsorption Filters, with Type "D" 0.003 micron activated carbon elements:** All Wilkerson Type "M" adsorption filters with Type "D" 0.003 micron activated carbon elements **exceed ISO Class 1** on maximum oil content (ppm/wt).

## Materials of Construction

Body	Zinc
Bowls – Transparent	Polycarbonate
Metal (Without Sight Gauge)	Zinc
Deflector, Element Holder & Baffle	Plastic
Drains	
Manual Drain –	
Body & Stem	Plastic
Seals	Nitrile
Piston Drain –	
Piston & Seals	Nitrile
Stem, Seat, Adaptor & Washers	Aluminum
Filter Element	Plastic
Seals	Nitrile



Accepts 1/8" Tubing

## Dimensions

Models	Inches (mm)	A	B	C	D	E	F
Standard Unit M03-XX-000		1.69 (43)	1.53 (39)	.39 (10)	3.82 (97)	4.21 (107)	1.60 (41)
Piston Drain M03-XX-D00		1.69 (43)	1.53 (39)	.39 (10)	3.87 (99)	4.26 (108)	1.60 (41)

 = "Most Popular"

### Replacement Bowl Kits

- Metal Bowl –
  - Manual Drain .....PS451B
  - Piston Drain .....PS447B

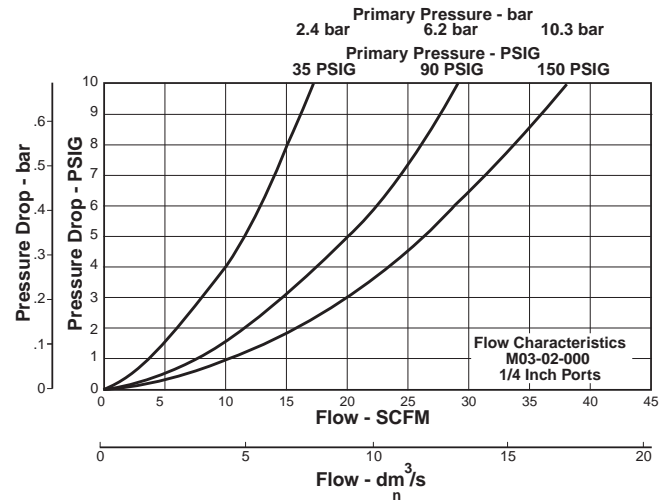
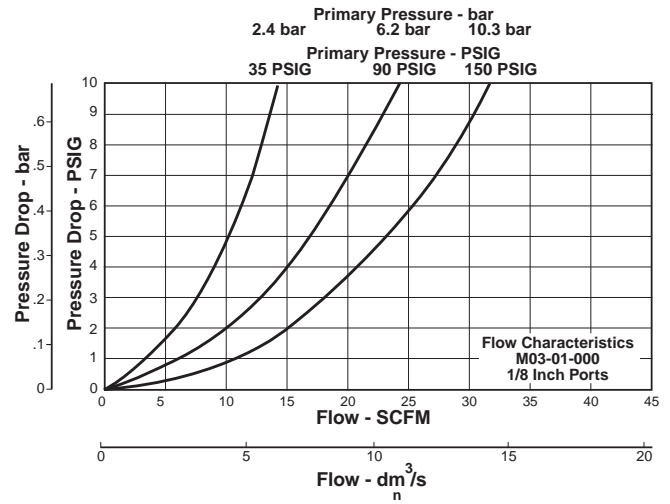
- Plastic Bowl –
  - Manual Drain .....PS404
  - Piston Drain .....PS408B

### Replacement Element Kits

- Type "B", 1.0 Micron .....PS456
- Type "C", 0.01 Micron .....PS446
- Type "D", Oil Vapor Removing .....PS452

### Accessories

- Mounting Bracket Kit .....PS417B



**B**

Filters, Regulators, Lubricators

### Ordering Information

Model Type	Port Size	Polycarbonate Bowl / "C" Element	Metal Bowl / "C" Element	Polycarbonate Bowl / "B" Micron Element	Polycarbonate Bowl / "D" Element
Manual Drain	1/8	M03-01-000	M03-01-M00	M03-01-S00	M03-01-X00
	1/4	M03-02-000	M03-02-M00	M03-02-S00	M03-02-X00

Options - To order an option supplied with the unit model, add the appropriate coded suffix letter in the designated position of the model number.