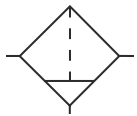


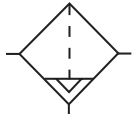
Particulate Filter F08

B

Filters, Regulators, Lubricators



Manual Drain



Auto Drain



Features

- Standard 5 Micron Filtration
- Quick-disconnect Bowl
- Bowl Guard
- High Flow Capacity

Specifications

Flow Capacity*	1/4	42 SCFM (20 dm ³ /s, ANR)
Maximum Supply Pressure	Plastic Bowl	150 PSIG (10.3 bar)
	Metal Bowl	250 PSIG (17.2 bar)
Operating Temperature	Plastic Bowl	14° to 125°F (-10° to 52°C)
	Metal Bowl	14° to 150°F (-10° to 65.5°C)
Port Size	NPT / BSPP-G 1/4	
Bowl Capacity	0.6 oz	
Standard Filtration	5 Micron	
Weight	0.24 lb. (0.11 kg)	

* Inlet pressure 91.3 psig (6.3 bar). Pressure drop 4.9 psig (0.34 bar).

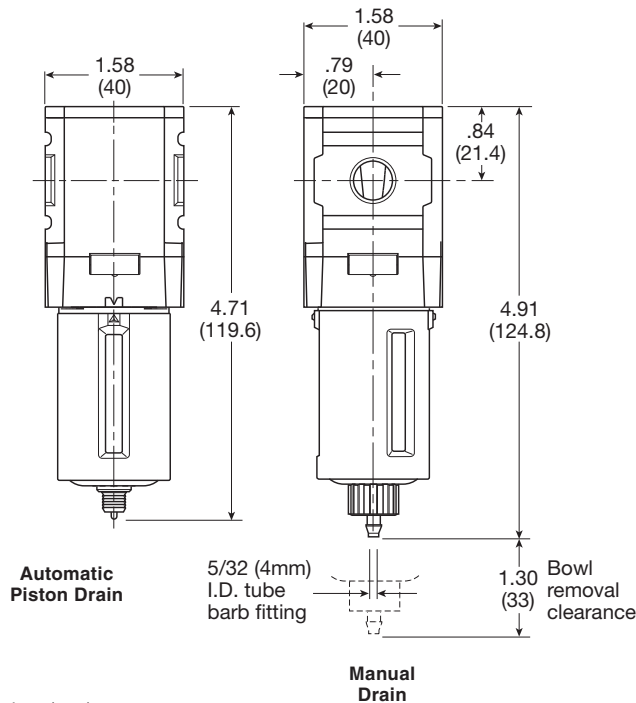
“F” Series Filters, Type “A” 5 micron elements: All Wilkerson Type “A” 5 micron elements **meet or exceed ISO Class 3** for maximum particle size and concentration of solid contaminants.

Materials of Construction

Baffle	Acetal	
Body	Aluminum	
Body Cap	ABS	
Bowl	Plastic Bowl	Polycarbonate
	Metal Bowl	Aluminum
Bowl Guard	Nylon	
Element Retainer	Acetal	
Filter Element	Sintered Polyethylene	
Seals	Plastic Bowl	Nitrile
	Metal Bowl	Nitrile

Air quality:

Within ISO 8573-1: 1991 Class 3 (Particulates)
Within ISO 8573-1: 2001 Class 6 (Particulates)



Inches (mm)

= "Most Popular"

Replacement Bowl Kits

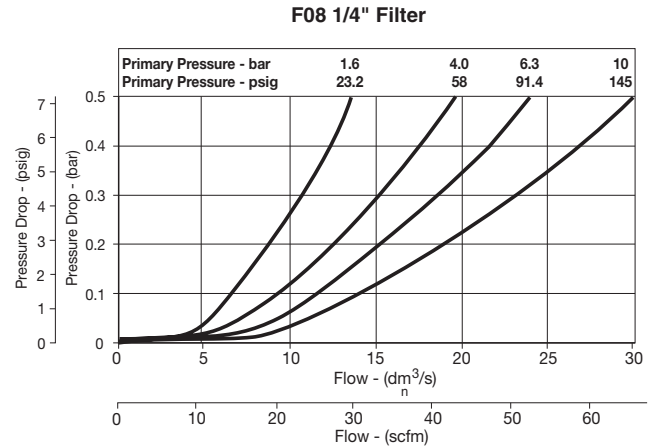
- Metal Bowl, Manual Drain.....GRP-96-714
- Plastic Bowl / Bowl Guard, Manual Drain.....GRP-96-712

Replacement Element Kit and Bowl Seal

- Type "A", 5 Micron FRP-96-729

Accessories

- Automatic Piston DrainGRP-96-716
- Wall Mounting Bracket –
 - C-Type GPA-97-010
 - T-Type GPA-96-737



B
Filters, Regulators, Lubricators

Ordering Information

Model Type	Port Size	Plastic Bowl / Bowl Guard	Metal Bowl (No Sight Gauge)
Manual Drain	1/4	F08-02-SK00B	F08-02-SL00B
Automatic Piston Drain	1/4	F08-02-SR00B	F08-02-SS00B

Options - To order an option supplied with the unit model, Add the appropriate coded suffix letter in the designated position of the model number.